



US00D967914S

(12) **United States Design Patent**
Higdon et al.

(10) **Patent No.:** **US D967,914 S**

(45) **Date of Patent:** **** *Oct. 25, 2022**

(54) **GOLF CLUB HEAD**

(71) Applicant: **KARSTEN MANUFACTURING CORPORATION**, Phoenix, AZ (US)

(72) Inventors: **David A. Higdon**, Cave Creek, AZ (US); **Calvin S. Wang**, Chandler, AZ (US)

(73) Assignee: **KARSTEN MANUFACTURING CORPORATION**, Phoenix, AZ (US)

(*) Notice: This patent is subject to a terminal disclaimer.

(**) Term: **15 Years**

(21) Appl. No.: **29/723,292**

(22) Filed: **Feb. 5, 2020**

(51) **LOC (13) Cl.** **21-02**

(52) **U.S. Cl.**
USPC **D21/743**

(58) **Field of Classification Search**
USPC D21/736-746, 759
CPC A63B 53/00; A63B 53/04; A63B 53/007;
A63B 53/065; A63B 53/0487; A63B
60/00; A63B 60/46
See application file for complete search history.

(56) **References Cited**

U.S. PATENT DOCUMENTS

D207,227 S	3/1967	Solheim	
D239,951 S	5/1976	Carrier	
4,030,766 A	6/1977	Derr	
D316,129 S	4/1991	Bryson	
5,275,412 A	1/1994	Innes	
5,685,784 A	11/1997	Butler	
D389,207 S *	1/1998	Cameron D21/742
5,746,664 A	5/1998	Reynolds, Jr.	
6,048,275 A	4/2000	Gedeon	

(Continued)

FOREIGN PATENT DOCUMENTS

CN 2920325 Y 7/2007
CN 103252065 A 8/2013

(Continued)

OTHER PUBLICATIONS

“Golf Magazine”, p. 87, vol. 42, No. 4.

Primary Examiner — Mitchell I. Siegel

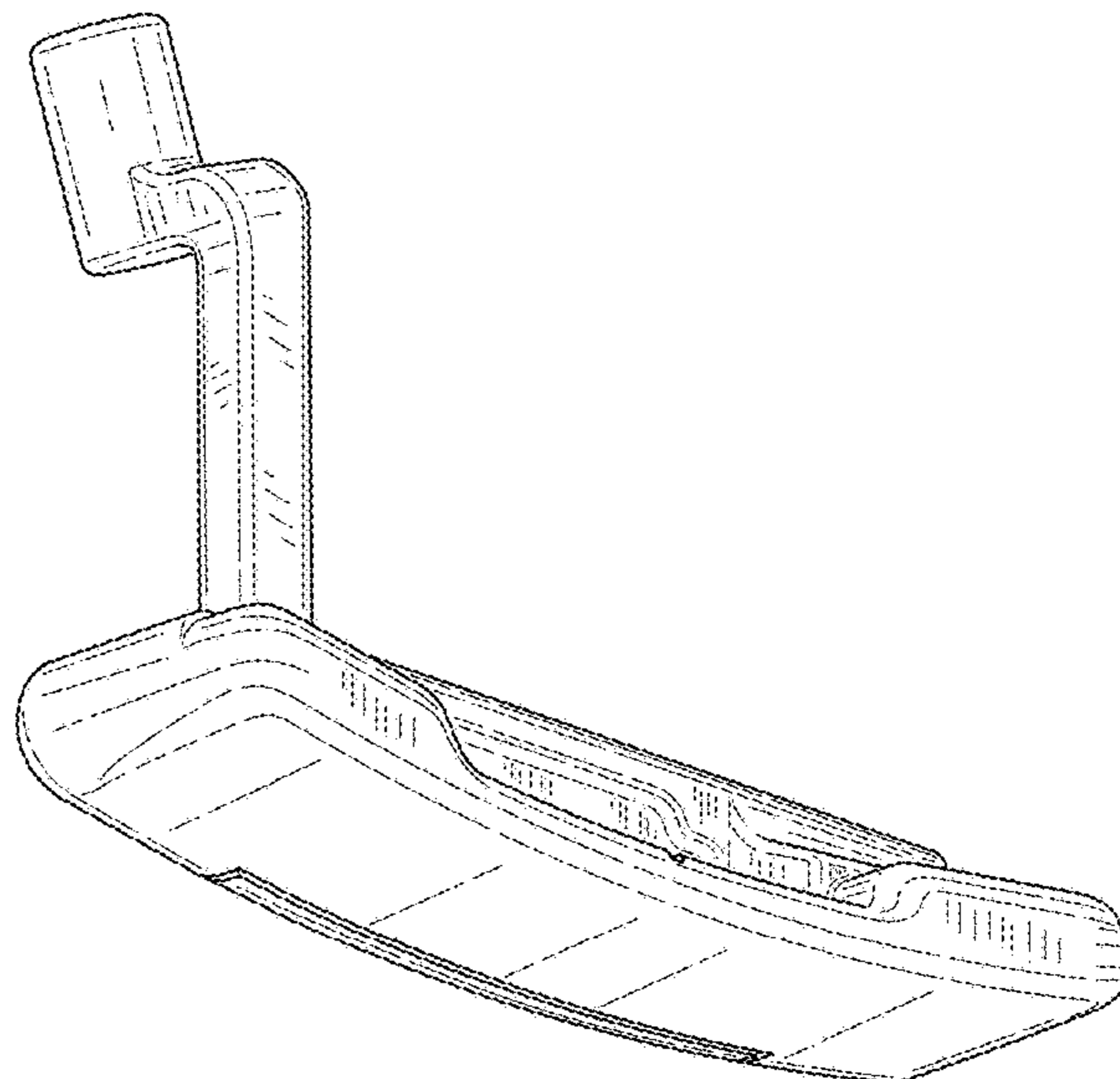
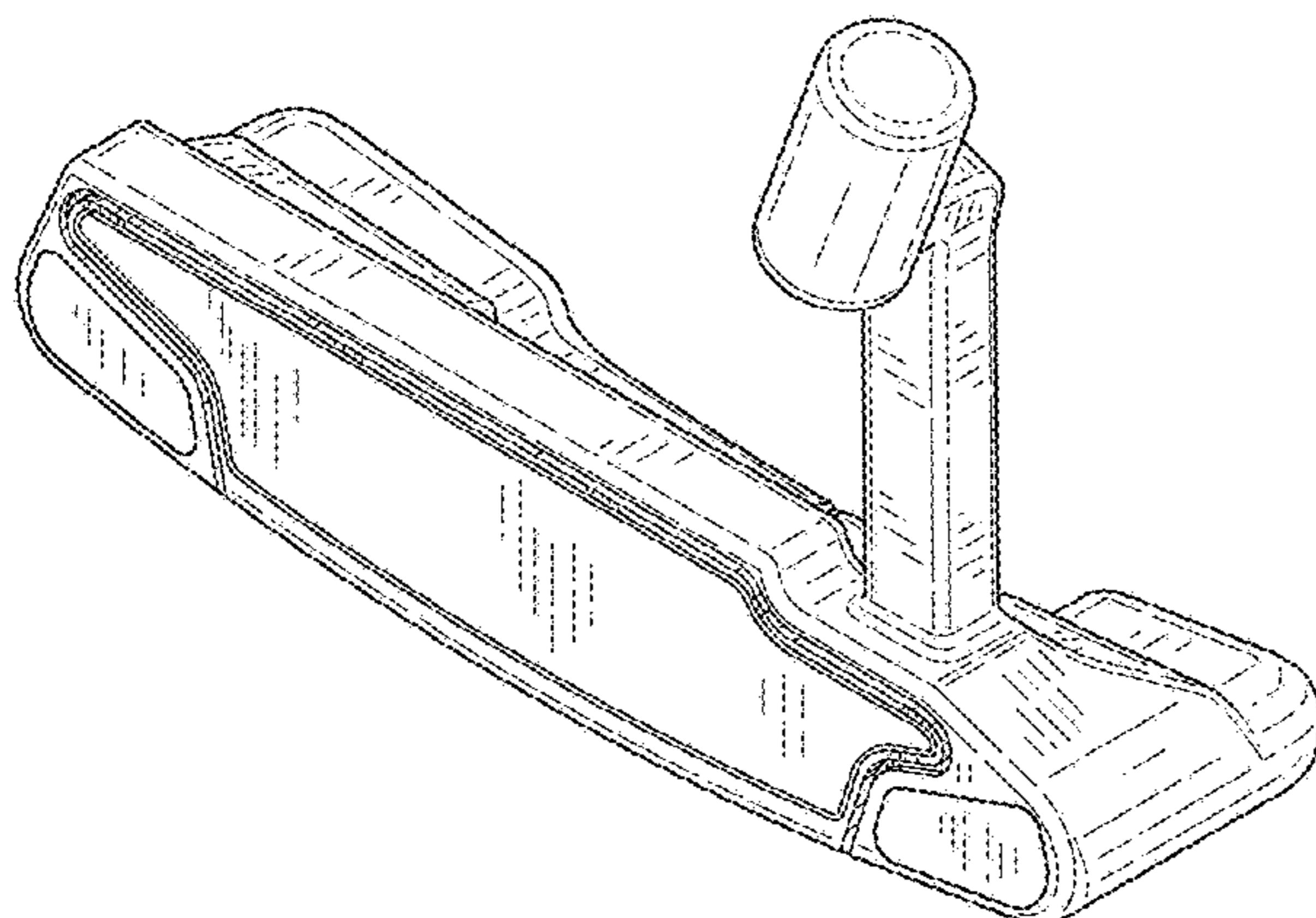
(57) **CLAIM**

The ornamental design for a golf club head, as shown and described.

DESCRIPTION

FIG. 1 is a top perspective view of a golf club head; FIG. 2 is a bottom perspective view of the golf club head of FIG. 1; FIG. 3 is a top view of the golf club head of FIG. 1; FIG. 4 is a bottom view of the golf club head of FIG. 1; FIG. 5 is a front view of the golf club head of FIG. 1; FIG. 6 is a rear view of the golf club head of FIG. 1; FIG. 7 is a heel side view of the golf club head of FIG. 1; FIG. 8 is a toe side view of the golf club head of FIG. 1; FIG. 9 is a top perspective view of a second embodiment of a golf club head. FIG. 10 is a bottom perspective view of the golf club head of FIG. 9; FIG. 11 is a top view of the golf club head of FIG. 9; FIG. 12 is a bottom view of the golf club head of FIG. 9; FIG. 13 is a front view of the golf club head of FIG. 9; FIG. 14 is a rear view of the golf club head of FIG. 9; FIG. 15 is a heel side view of the golf club head of FIG. 9; and, FIG. 16 is a toe side view of the golf club head of FIG. 9. The broken lines shown form no part of the claimed design.

1 Claim, 10 Drawing Sheets



(56)

References Cited

U.S. PATENT DOCUMENTS

D426,599 S 6/2000 Morgan
 D426,600 S 6/2000 Valentine
 D443,906 S * 6/2001 Hettinger D21/743
 D449,085 S 10/2001 Breier
 D454,379 S 3/2002 Solheim et al.
 6,379,259 B1 4/2002 Opie
 D485,320 S 1/2004 Breier
 D488,526 S 4/2004 Souza
 D498,276 S 11/2004 Schweigert
 D500,109 S 12/2004 Solheim
 D500,110 S 12/2004 Solheim
 6,837,801 B1 1/2005 Souza
 6,878,071 B1 4/2005 Schweiger
 6,893,355 B2 5/2005 Souza
 6,902,496 B2 6/2005 Solheim
 D507,612 S 7/2005 Souza
 6,926,615 B1 8/2005 Souza
 6,960,140 B2 11/2005 Solheim
 6,966,845 B2 11/2005 Solheim
 D520,584 S 5/2006 Karlsten
 D521,580 S * 5/2006 Burrows D21/736
 D521,582 S 5/2006 Souza
 7,052,411 B2 5/2006 Solheim
 D522,598 S 6/2006 Solheim
 7,077,758 B2 7/2006 Rohrer
 7,086,957 B2 8/2006 Solheim
 D527,777 S 9/2006 Solheim
 D529,108 S 9/2006 Stites
 D532,847 S 11/2006 Rollinson
 D533,243 S 12/2006 Fife
 D535,712 S 1/2007 Toroussian
 7,235,021 B2 6/2007 Solheim
 D548,294 S * 8/2007 Nguyen D21/736
 D548,295 S 8/2007 Jertson
 7,255,650 B2 8/2007 Bryant
 D552,196 S * 10/2007 Hueber D21/742
 D552,197 S 10/2007 Wells
 D562,921 S 2/2008 Nguyen
 D565,137 S 3/2008 Oldknow
 D569,462 S 5/2008 Rollinson
 7,371,185 B1 5/2008 Rohrer
 D581,473 S 11/2008 Thomas
 D583,003 S 12/2008 Solheim
 D583,887 S * 12/2008 Cameron D21/743
 D590,462 S * 4/2009 Hettinger D21/743
 D595,372 S 6/2009 Rollinson
 D599,423 S 9/2009 Serrano
 D600,760 S 9/2009 Serrano
 D600,761 S 9/2009 Solheim
 D600,762 S 9/2009 Serrano
 7,601,076 B2 10/2009 Rollinson
 D607,950 S 1/2010 Souza
 D620,993 S * 8/2010 Laub D21/746
 D621,458 S 8/2010 Serrano
 D621,460 S 8/2010 Serrano
 D621,461 S 8/2010 Serrano
 D621,462 S 8/2010 Serrano
 D621,891 S 8/2010 Serrano
 7,803,066 B2 9/2010 Solheim
 7,815,515 B1 10/2010 Hunt
 D629,856 S 12/2010 Parkinson
 7,927,226 B1 * 4/2011 Twitty A63B 53/0487
 473/251
 D638,891 S 5/2011 Nicolette
 D638,892 S 5/2011 Hettinger

D640,341 S 6/2011 Foster et al.
 D643,080 S 8/2011 Serrano
 D643,486 S 8/2011 Nicolette
 D643,487 S 8/2011 Serrano
 D643,893 S * 8/2011 Rollinson D21/742
 D648,407 S * 11/2011 Teramoto D21/743
 D650,453 S 12/2011 Rollinson
 D650,456 S 12/2011 Tang
 8,100,779 B2 1/2012 Solheim
 D653,718 S 2/2012 Stokke
 8,109,838 B2 2/2012 Solheim
 8,128,505 B2 3/2012 Tryner et al.
 D664,617 S 7/2012 Serrano
 D688,339 S * 8/2013 Hilton D21/736
 D691,225 S * 10/2013 Hilton D21/736
 D702,782 S 4/2014 Wempe
 D711,483 S * 8/2014 Wong D21/743
 9,033,812 B2 5/2015 Solheim
 D733,817 S 7/2015 Jorgenson
 D769,383 S * 10/2016 Abbott D21/743
 9,649,543 B2 5/2017 Solheim
 D792,929 S * 7/2017 Serrano D21/743
 D796,597 S * 9/2017 Serrano D21/736
 9,925,434 B2 3/2018 Solheim
 D817,424 S * 5/2018 Toulon D21/759
 D817,425 S 5/2018 Toulon
 D818,551 S * 5/2018 Toulon D21/759
 D832,379 S * 10/2018 Jertson D21/736
 D832,948 S 11/2018 Stokke
 D837,315 S * 1/2019 Rollinson D21/743
 D857,135 S * 8/2019 Serrano D21/736
 D857,819 S * 8/2019 Wang D21/743
 D859,544 S * 9/2019 Wang D21/736
 D869,581 S * 12/2019 Aguilar D21/743
 D869,582 S * 12/2019 Rollinson D21/743
 D869,583 S * 12/2019 Rollinson D21/743
 D874,590 S * 2/2020 Lee D21/743
 10,737,153 B2 * 8/2020 Schweigert A63B 53/0487
 D898,845 S * 10/2020 Clarke D21/743
 D912,746 S * 3/2021 Toulon D21/743
 D928,260 S 8/2021 Serrano
 2003/0083149 A1 5/2003 Scarpa et al.
 2005/0170904 A1 8/2005 Smeeth
 2006/0089206 A1 4/2006 Lo
 2006/0094533 A1 5/2006 Warren
 2006/0166755 A1 7/2006 Brown
 2007/0010348 A1 1/2007 Jung
 2007/0191135 A1 8/2007 Nilsson
 2008/0045353 A1 2/2008 Lo et al.
 2008/0096686 A1 4/2008 Bikhu
 2009/0305806 A1 12/2009 Campadore et al.
 2010/0048321 A1 2/2010 Beach et al.
 2010/0222155 A1 9/2010 Jones et al.
 2010/0227704 A1 9/2010 Souza
 2012/0115628 A1 5/2012 Woods
 2014/0179459 A1 6/2014 Schartiger et al.
 2015/0360099 A1 12/2015 Ban et al.
 2017/0266517 A1 * 9/2017 Bischmann A63B 53/0487
 2018/0311545 A1 * 11/2018 Lambeth B23P 15/00
 2020/0101357 A1 * 4/2020 Higdon A63B 53/065

FOREIGN PATENT DOCUMENTS

GB 2133295 A 7/1984
 JP 2001137400 A 5/2001
 JP 1651946 2/2020
 JP D1651946 * 2/2020

* cited by examiner

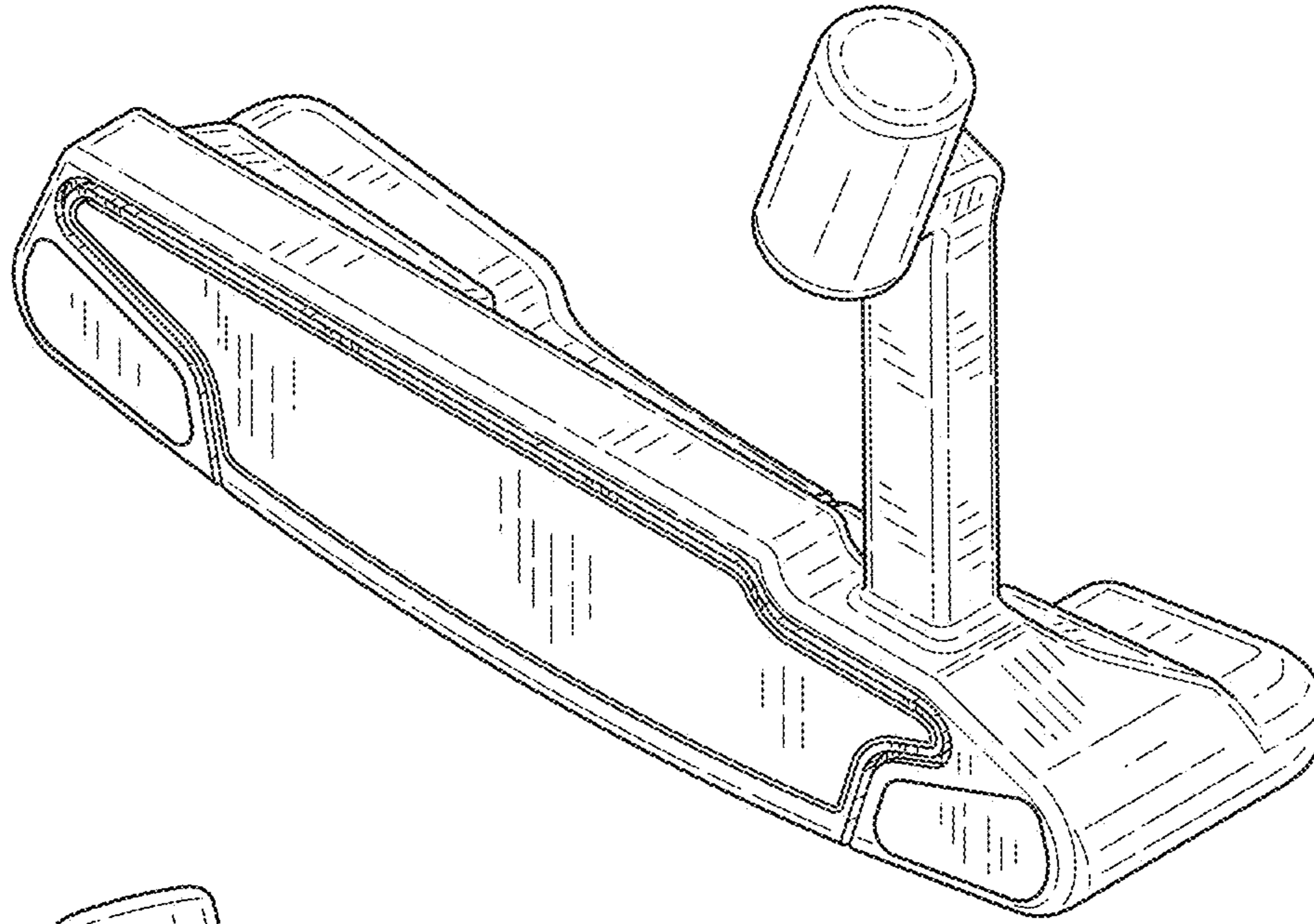


FIG. 1

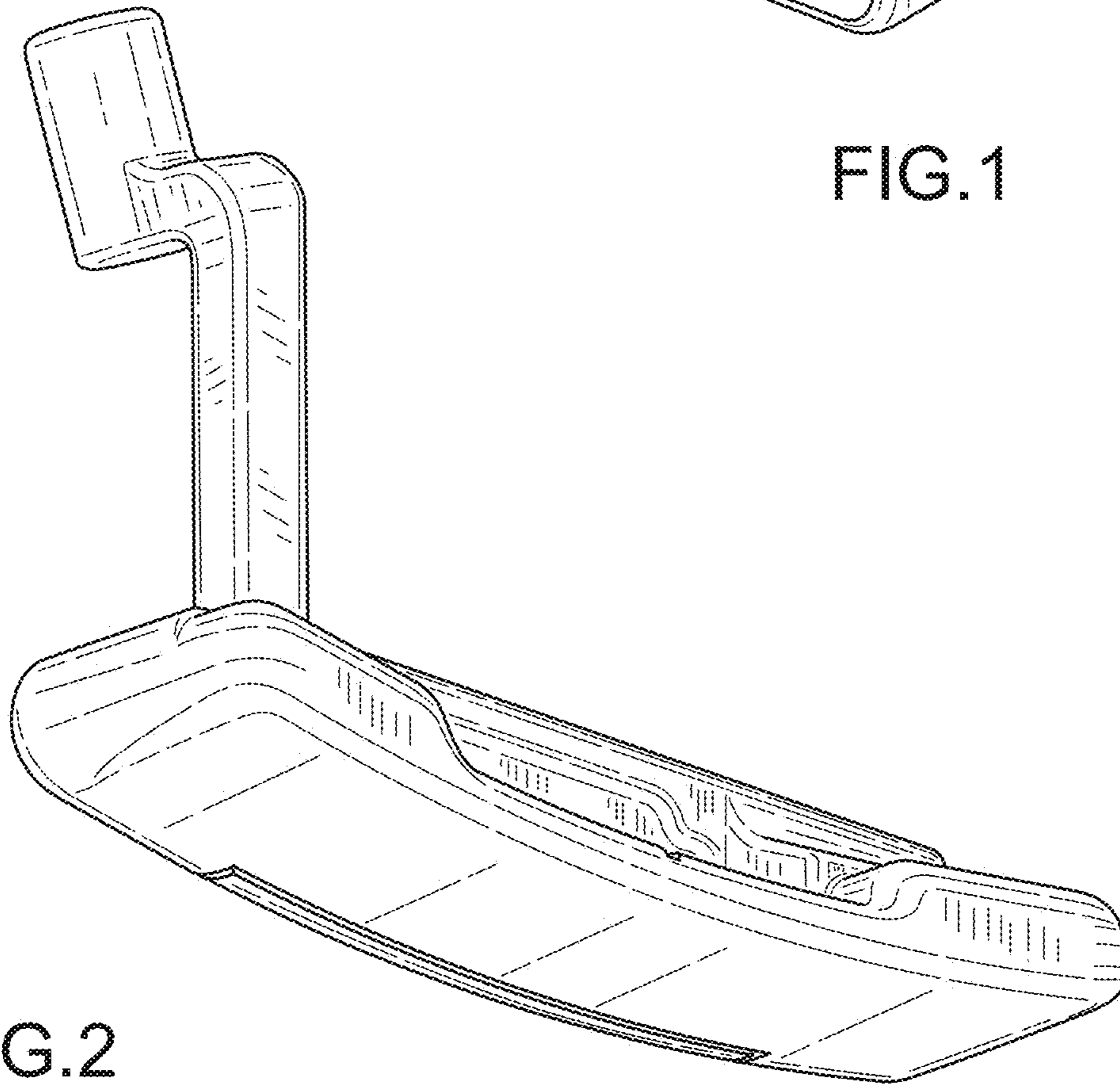


FIG. 2

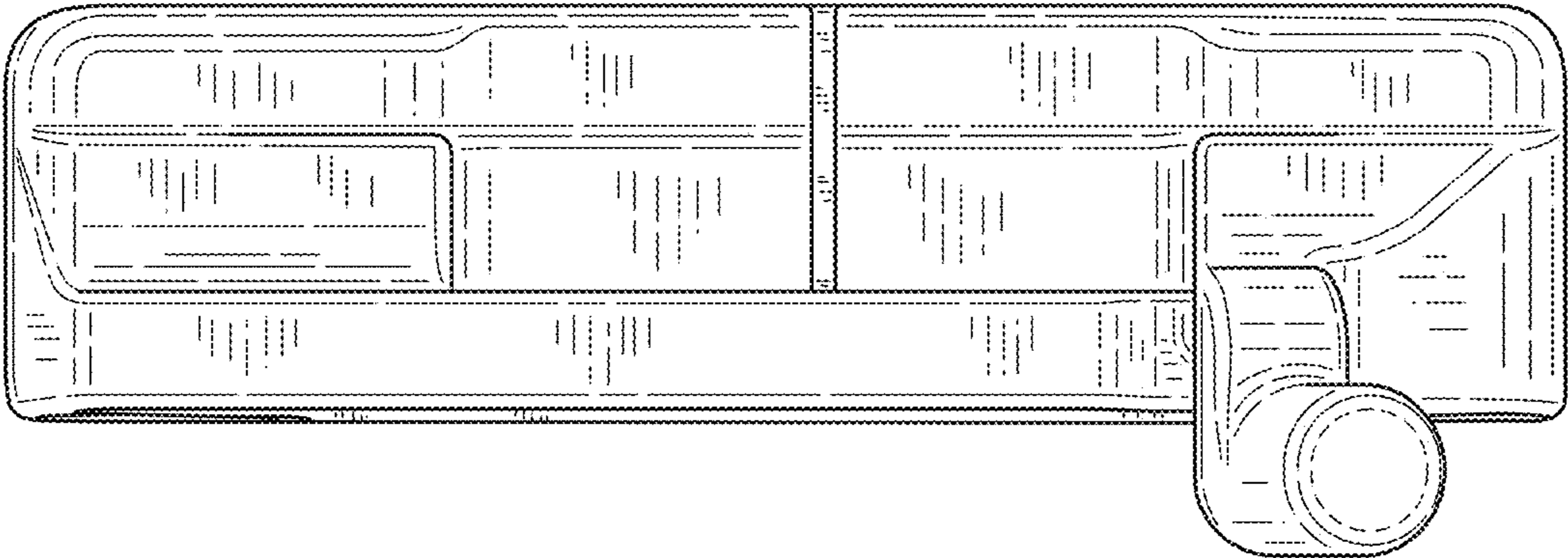


FIG.3

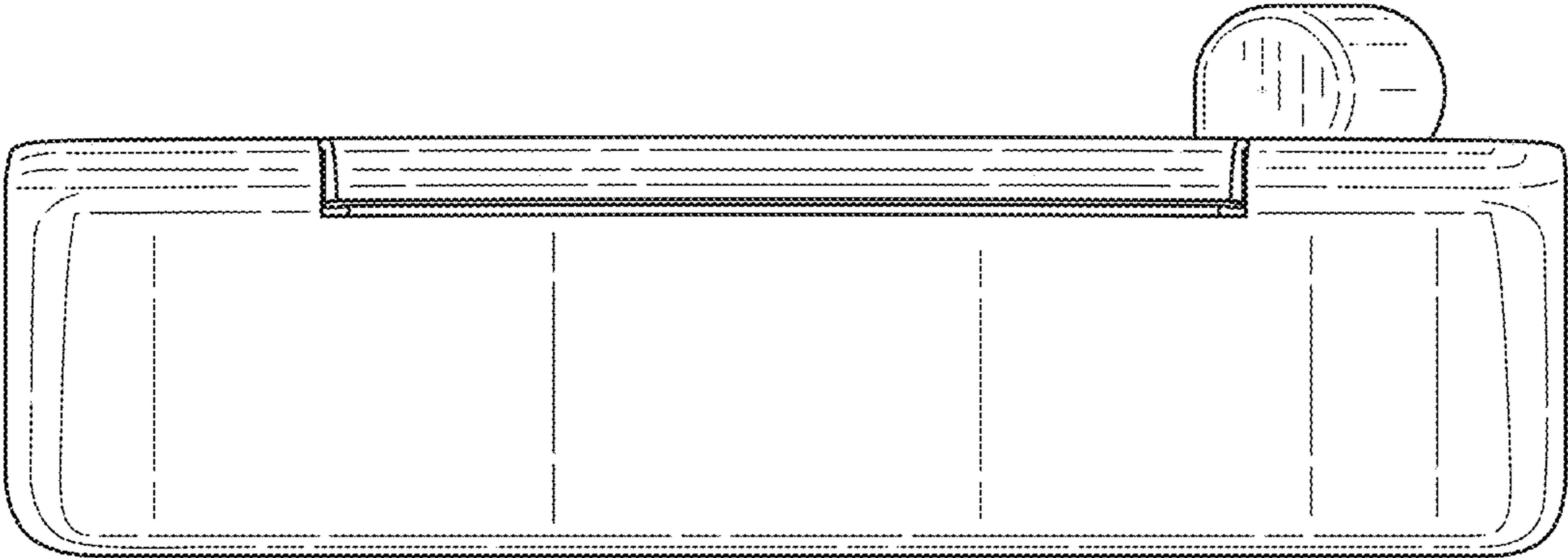


FIG.4

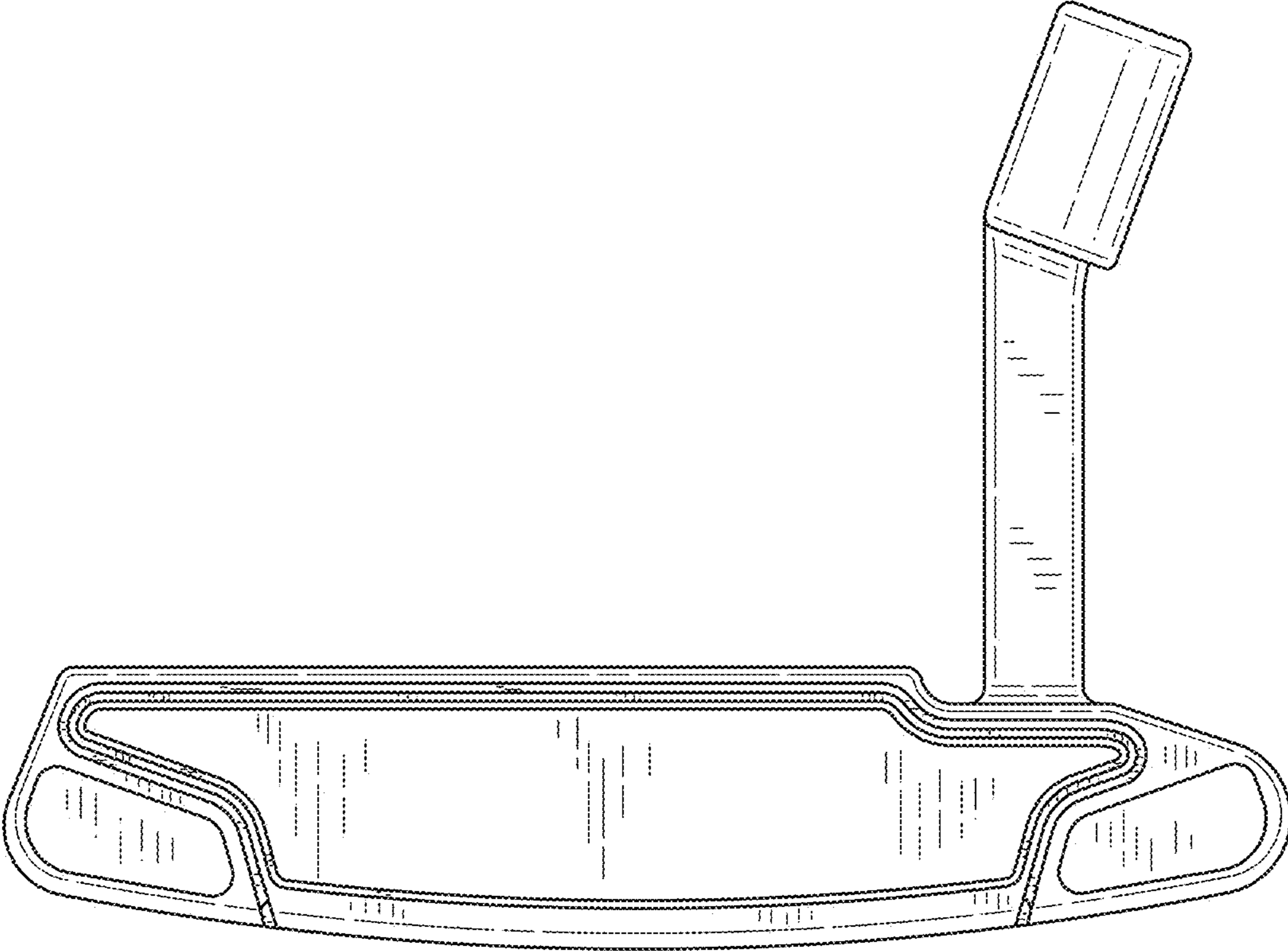


FIG.5

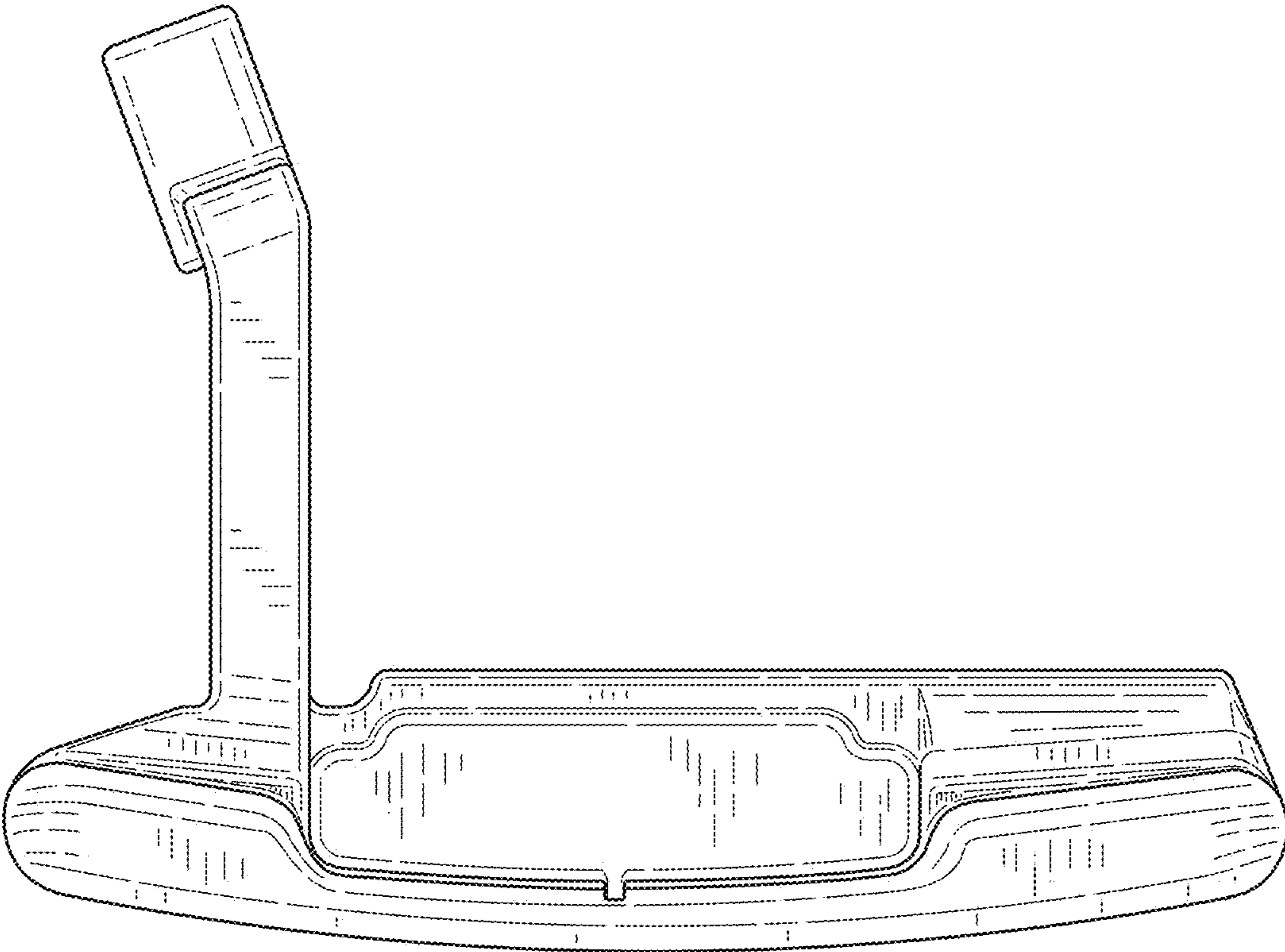


FIG. 6

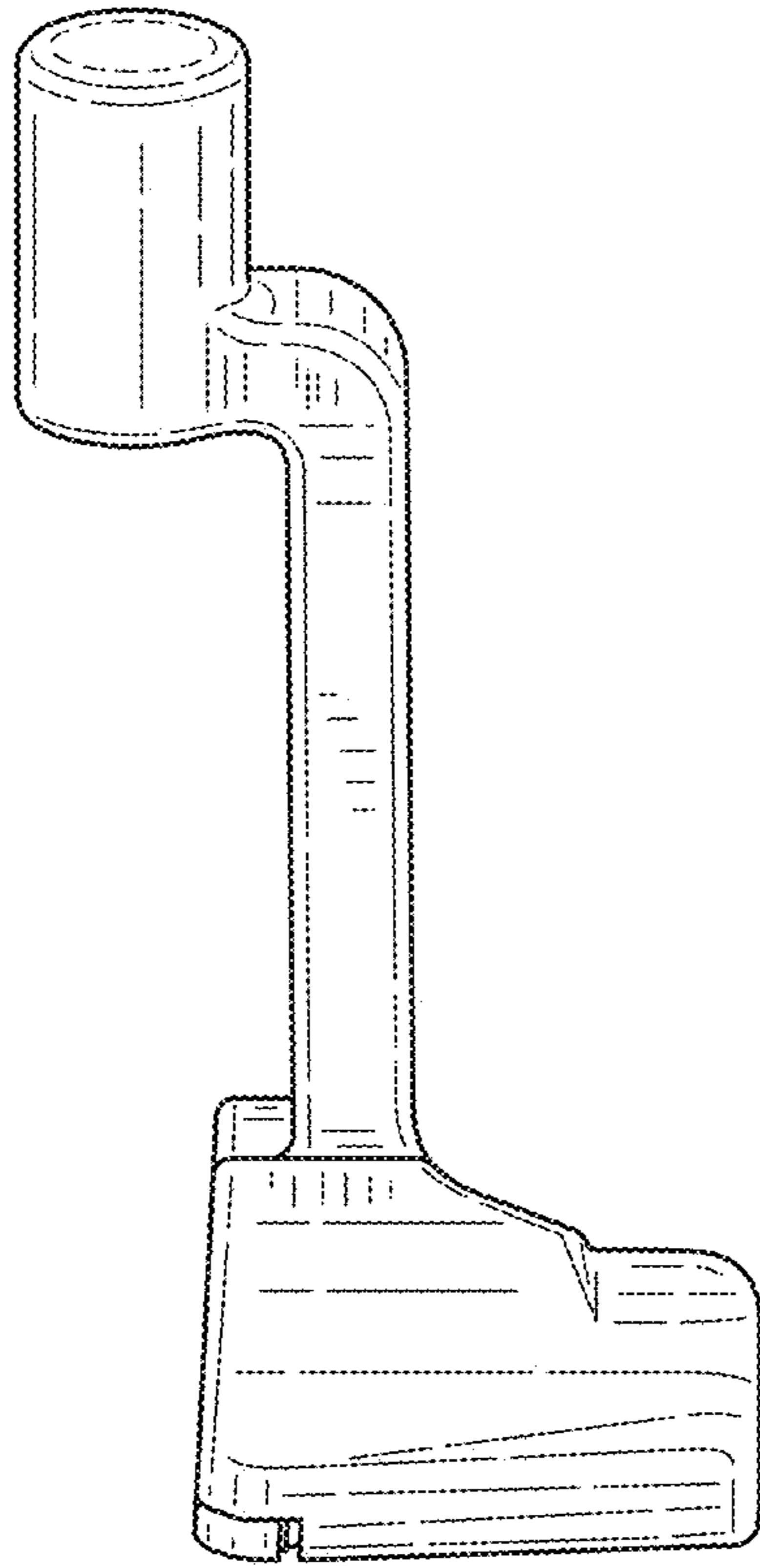


FIG. 7

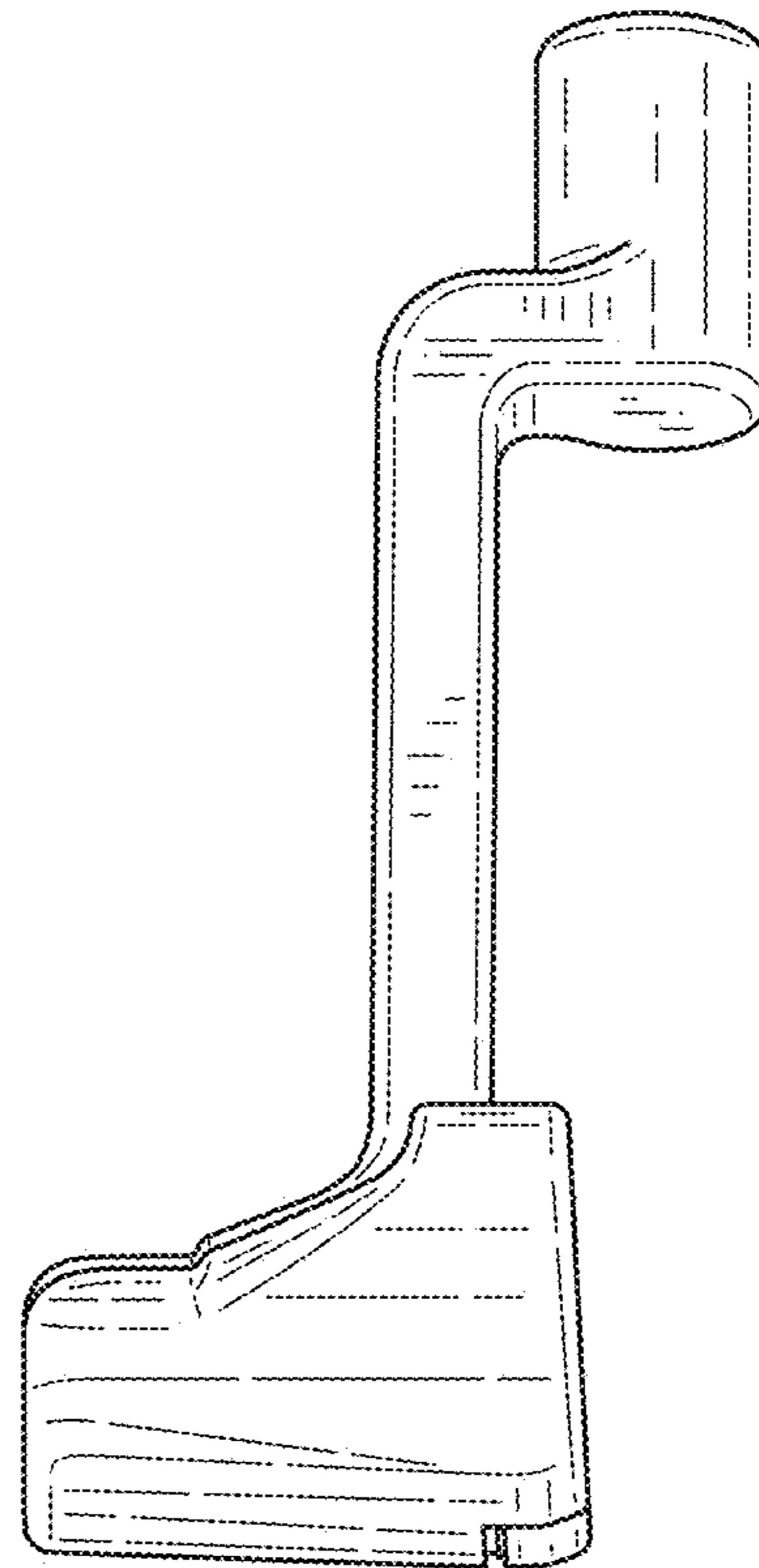


FIG. 8

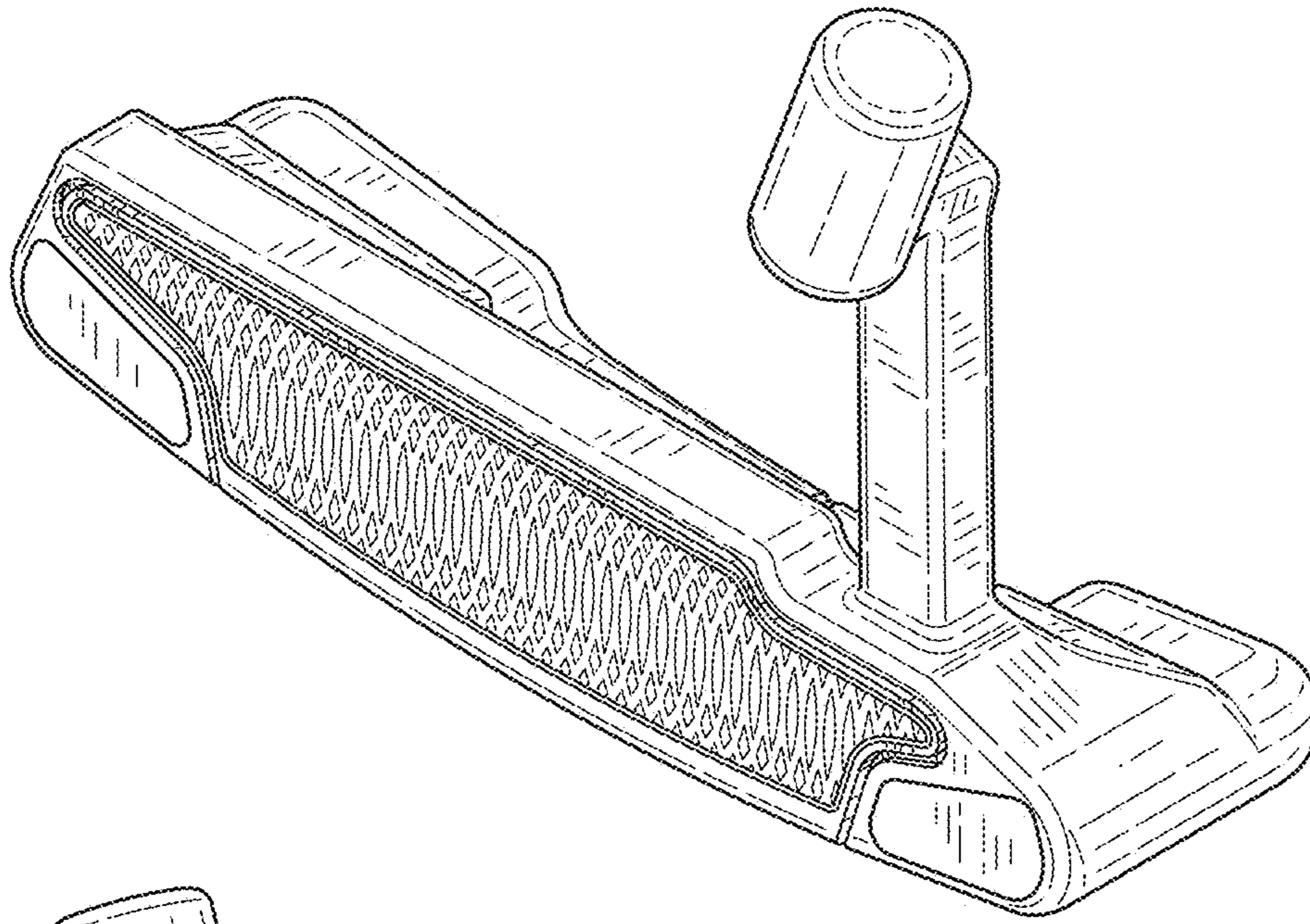


FIG. 9

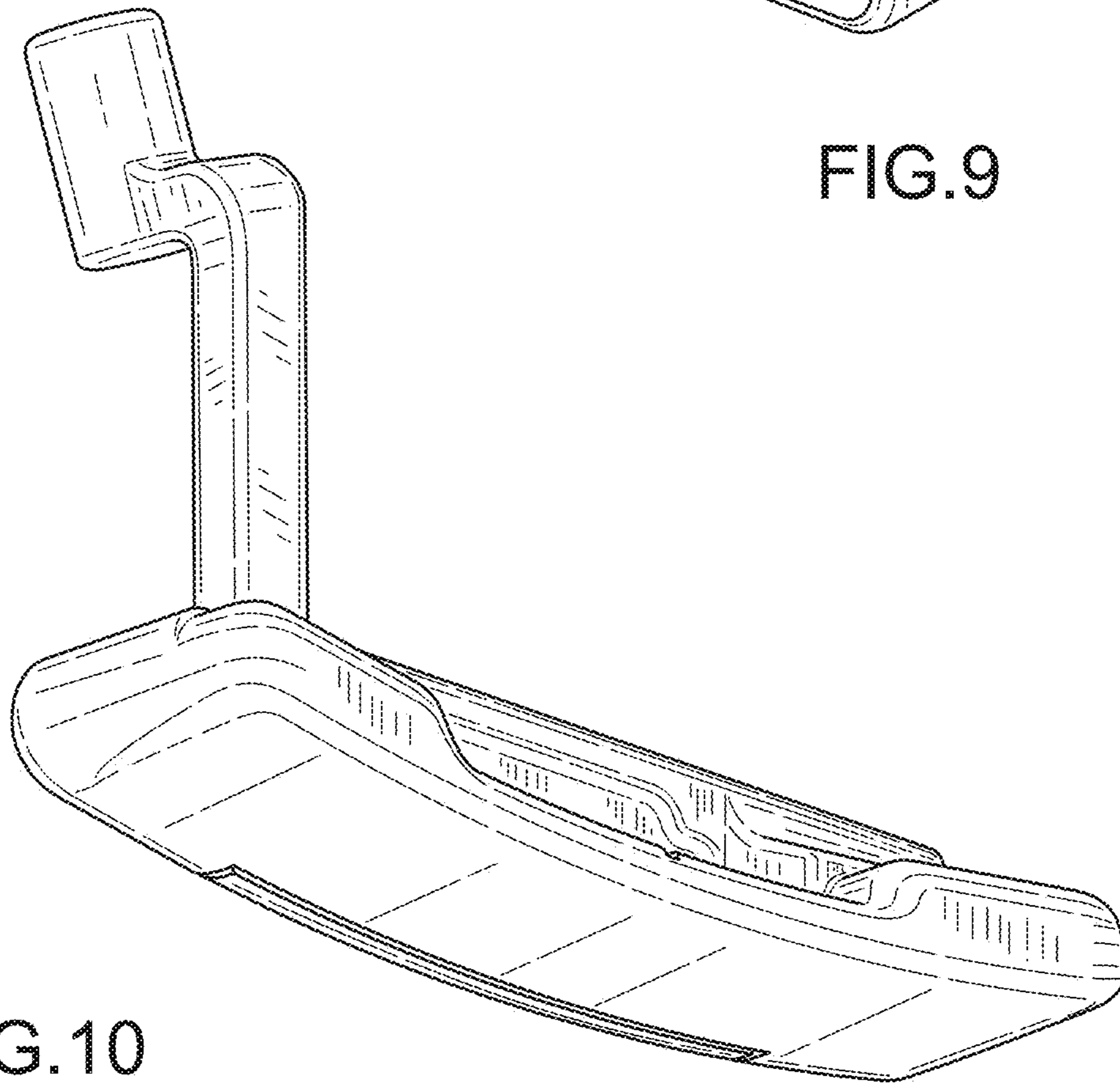


FIG. 10

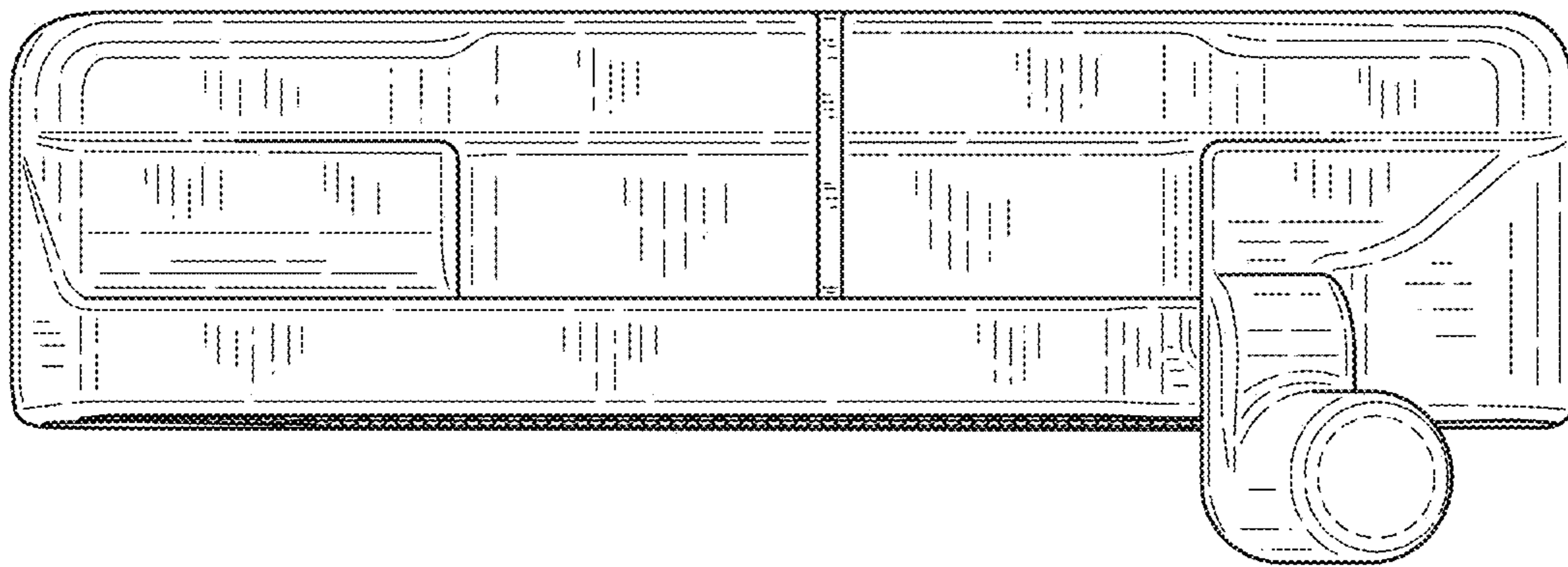


FIG. 11

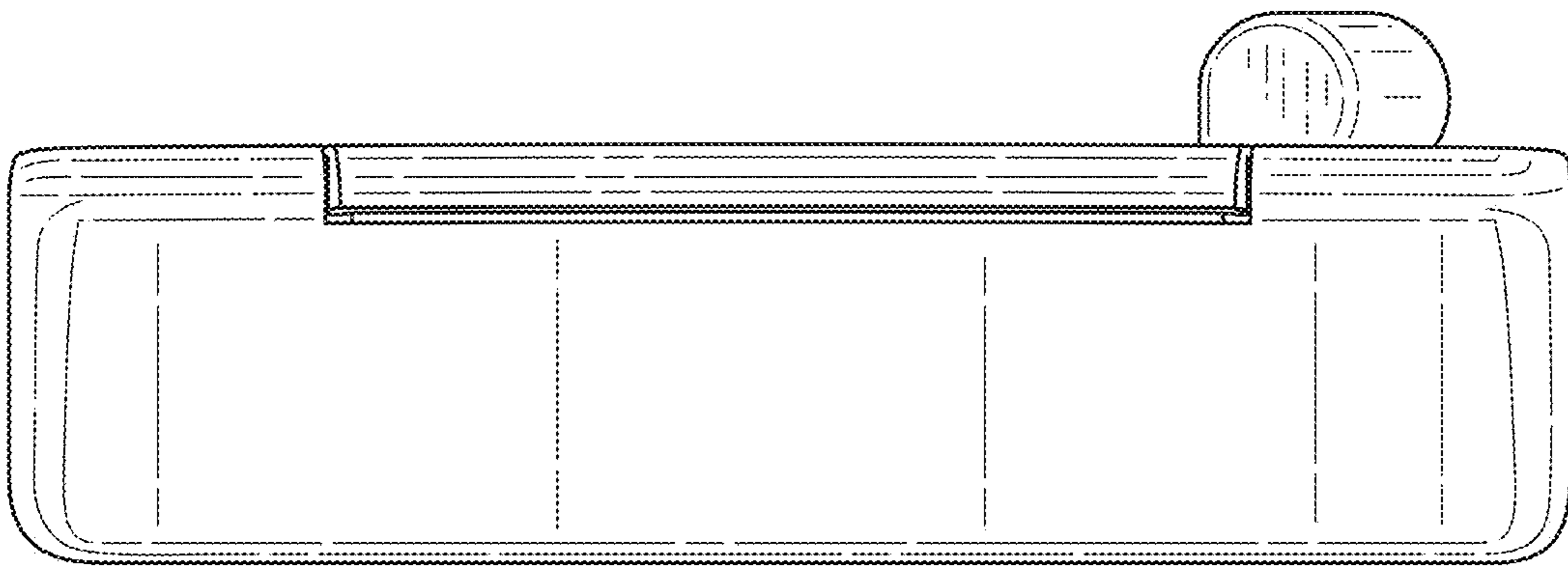


FIG. 12

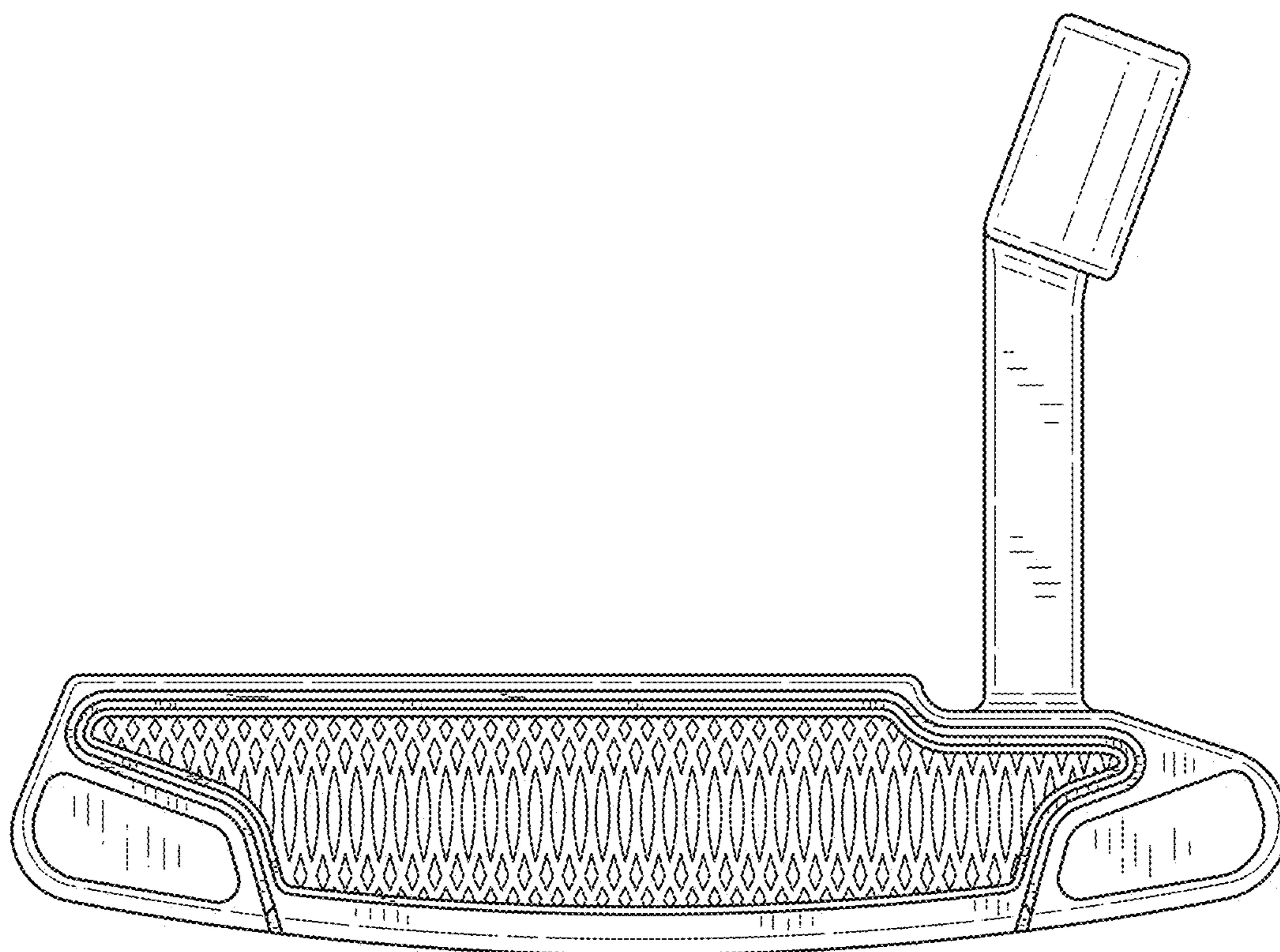


FIG.13

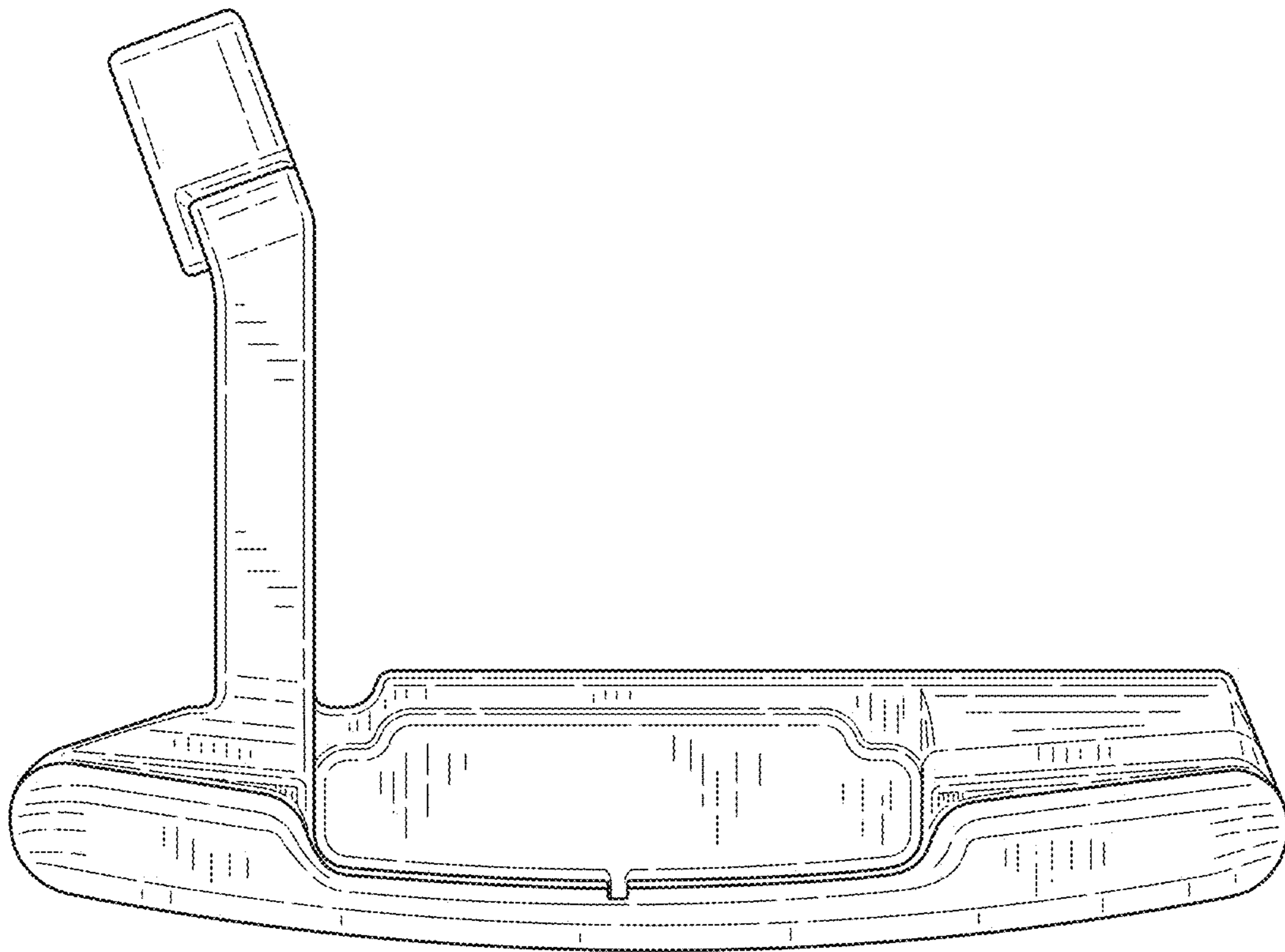


FIG. 14

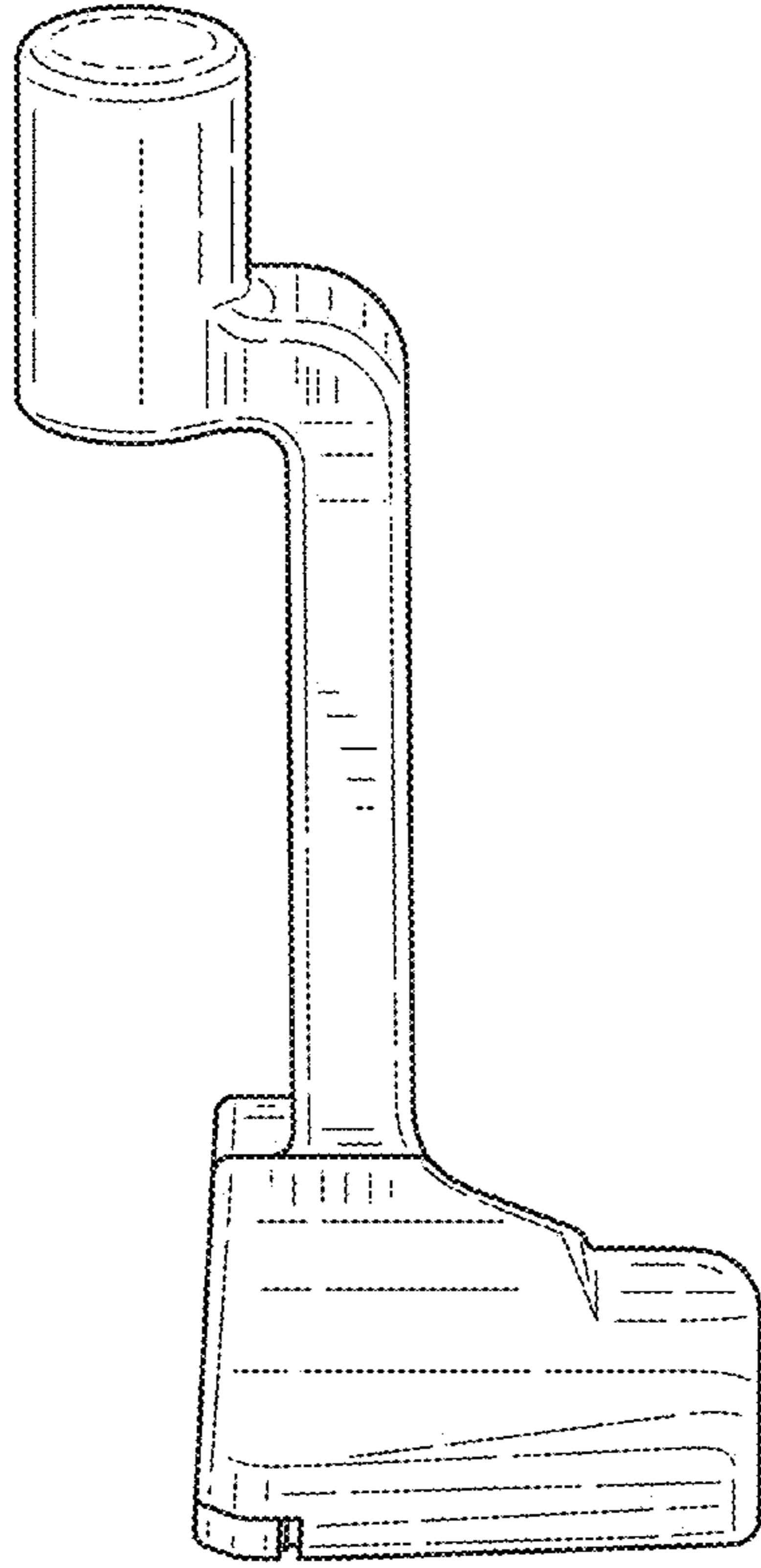


FIG. 15

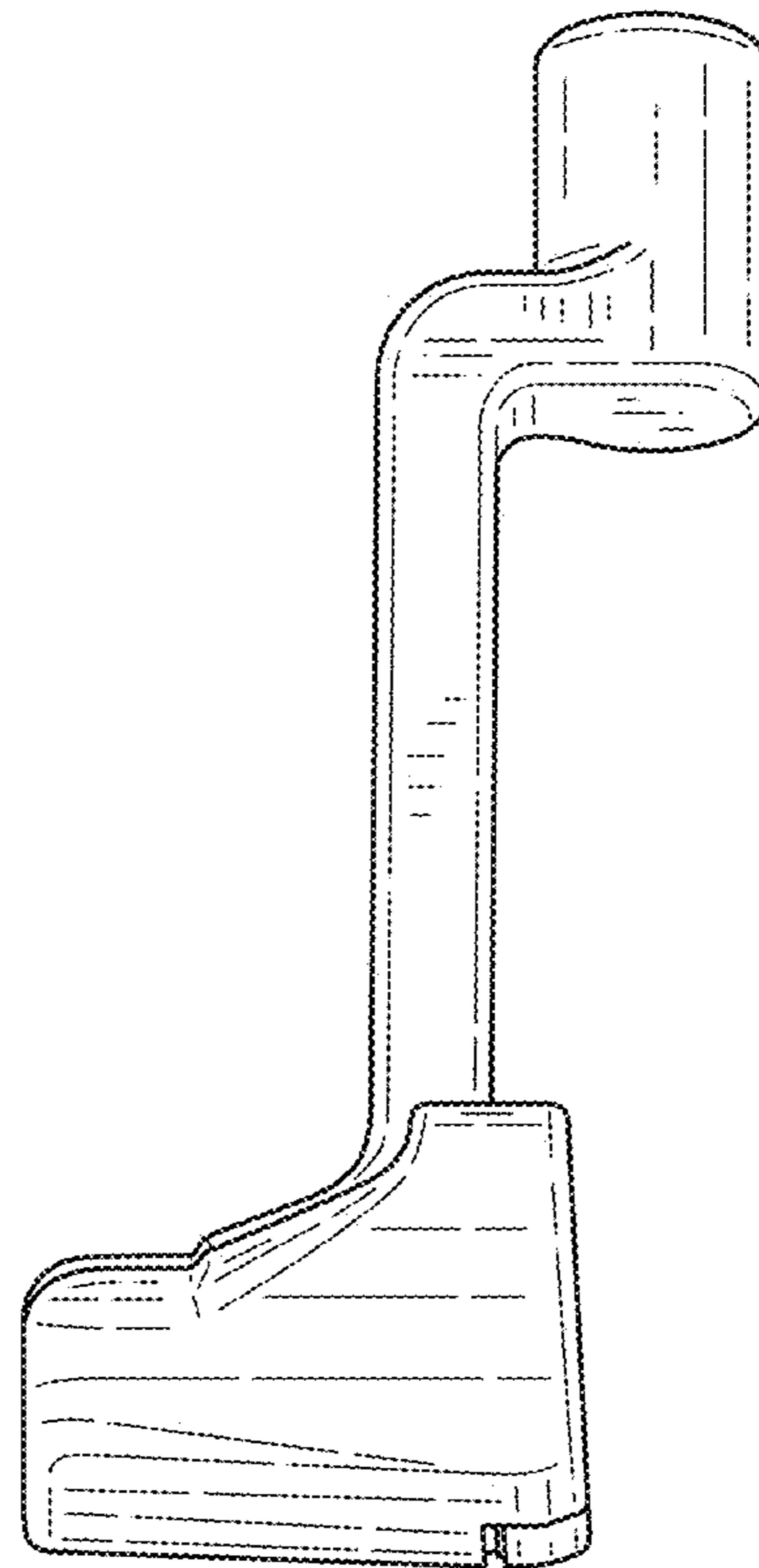


FIG. 16