



US00D967911S

(12) **United States Design Patent**  
**Wang**

(10) **Patent No.:** **US D967,911 S**  
(45) **Date of Patent:** **\*\* Oct. 25, 2022**

(54) **PULL-UP BAR**

(71) Applicant: **Feixiang Wang**, Shenzhen (CN)

(72) Inventor: **Feixiang Wang**, Shenzhen (CN)

(\*\*) Term: **15 Years**

(21) Appl. No.: **29/791,679**

(22) Filed: **Jan. 28, 2022**

(51) **LOC (13) Cl.** ..... **21-02**

(52) **U.S. Cl.**  
USPC ..... **D21/679**

(58) **Field of Classification Search**  
USPC ..... D21/685, 693, 698, 771, 773, 774, 753,  
D21/756, 807, 692, 679, 686, 673, 681,  
D21/682, 691, 694, 662, 797, 665, 683,  
D21/684, 677; D24/190  
See application file for complete search history.

(56) **References Cited**

**U.S. PATENT DOCUMENTS**

1,799,382	A *	4/1931	Langford	.....	E01B 11/08 238/258
D210,469	S *	3/1968	Sejersen	.....	482/40
D628,048	S *	11/2010	Young	.....	D8/354
D764,607	S *	8/2016	Beckford	.....	D21/679
9,662,537	B1 *	5/2017	Graves	.....	A63B 23/03525
D818,547	S *	5/2018	Meredith	.....	D21/686
D849,160	S	5/2019	Lau		
D868,910	S *	12/2019	Huang	.....	D21/679
D892,948	S *	8/2020	Huang	.....	D21/679
D913,385	S *	3/2021	Trenkle	.....	D21/694
D915,533	S *	4/2021	Adams	.....	D21/694
11,123,595	B2 *	9/2021	Henniger	.....	A63B 21/068
2015/0126335	A1 *	5/2015	Gilson	.....	A63B 1/00 482/38
2017/0259101	A1 *	9/2017	Im	.....	A63B 1/00
2019/0046835	A1 *	2/2019	Henniger	.....	A63B 23/1218
2020/0197737	A1 *	6/2020	Kistner	.....	A63B 1/005

**FOREIGN PATENT DOCUMENTS**

CN 306966065 S 11/2021

**OTHER PUBLICATIONS**

Murtisol, announced 2020 [online], [site visited Jul. 22, 2022]. Available on internet, URL:https://www.amazon.com/Murtisol-Exercise-Fitness-Adjustable-Capacity/dp/B08R3QFKBD/ref (Year: 2020).\*

Vita barre, announced 2017 [online], [site visited Jul. 22, 2022]. Available on internet. URL:Murtisol, announced 2020 [online], [site visited Jul. 22, 2022]. Available on internet, URL: (Year: 2017).\*

\* cited by examiner

*Primary Examiner* — Khawaja Anwar

*Assistant Examiner* — Julice Seung Eun Oum

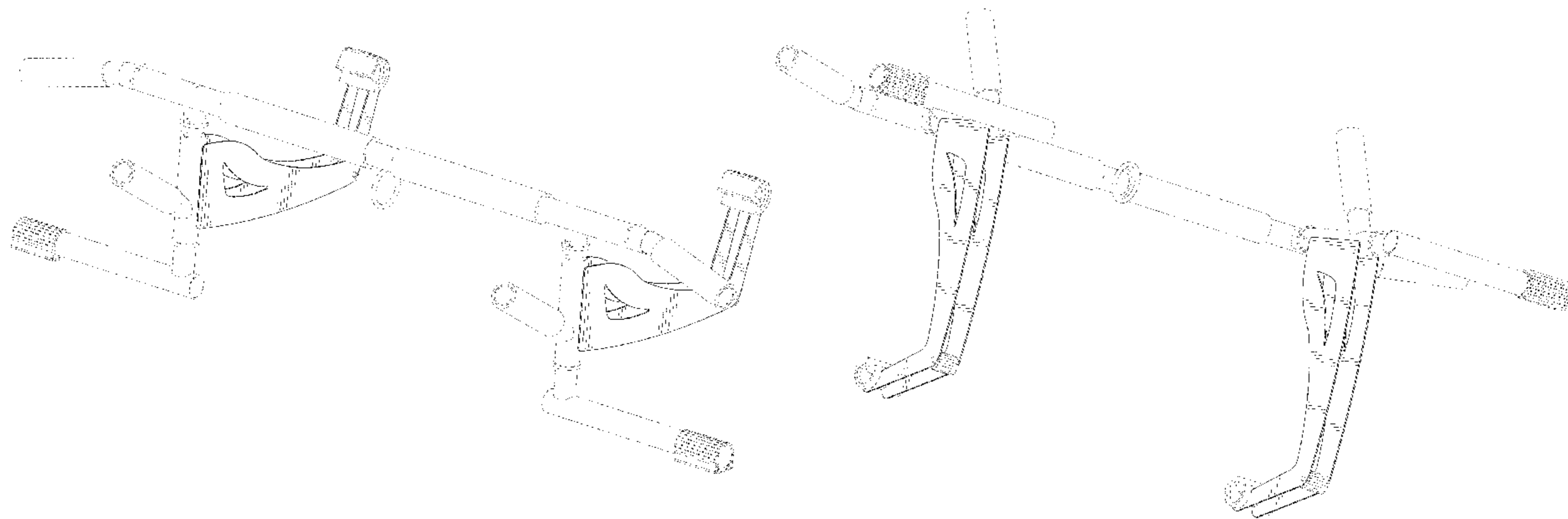
(57) **CLAIM**

The ornamental design for a pull-up bar, as shown and described.

**DESCRIPTION**

FIG. 1 is a front and top perspective view of a pull-up bar, showing my new design;  
FIG. 2 is a rear and bottom perspective view thereof;  
FIG. 3 is a front elevation view thereof;  
FIG. 4 is a rear elevation view thereof;  
FIG. 5 is a left side elevation view thereof;  
FIG. 6 is a right side elevation view thereof;  
FIG. 7 is a top plan view thereof; and,  
FIG. 8 is a bottom plan view thereof.  
The broken lines in the figures illustrate portions of the pull-up bar that form no part of the claimed design.

**1 Claim, 8 Drawing Sheets**



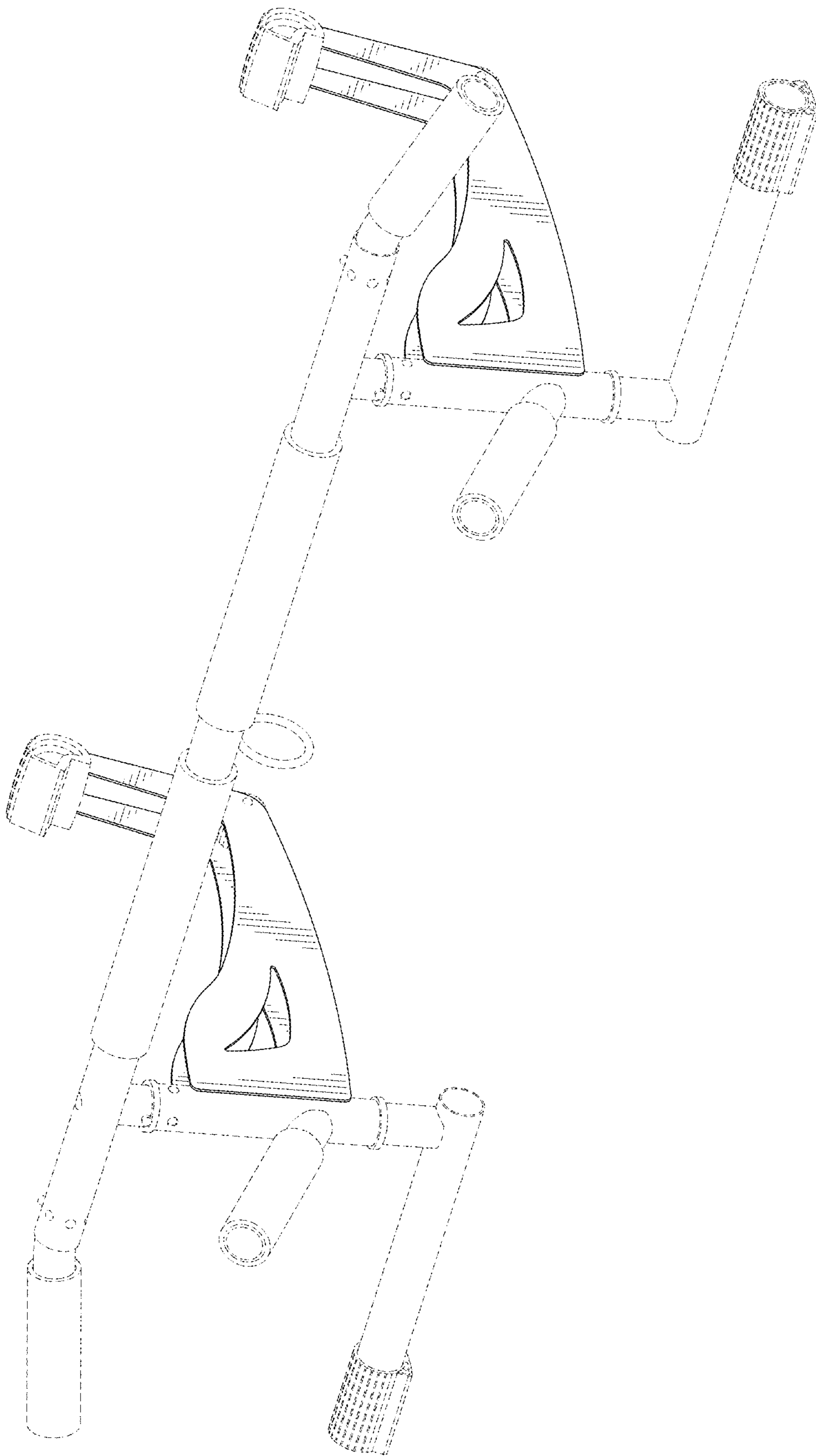


FIG. 1

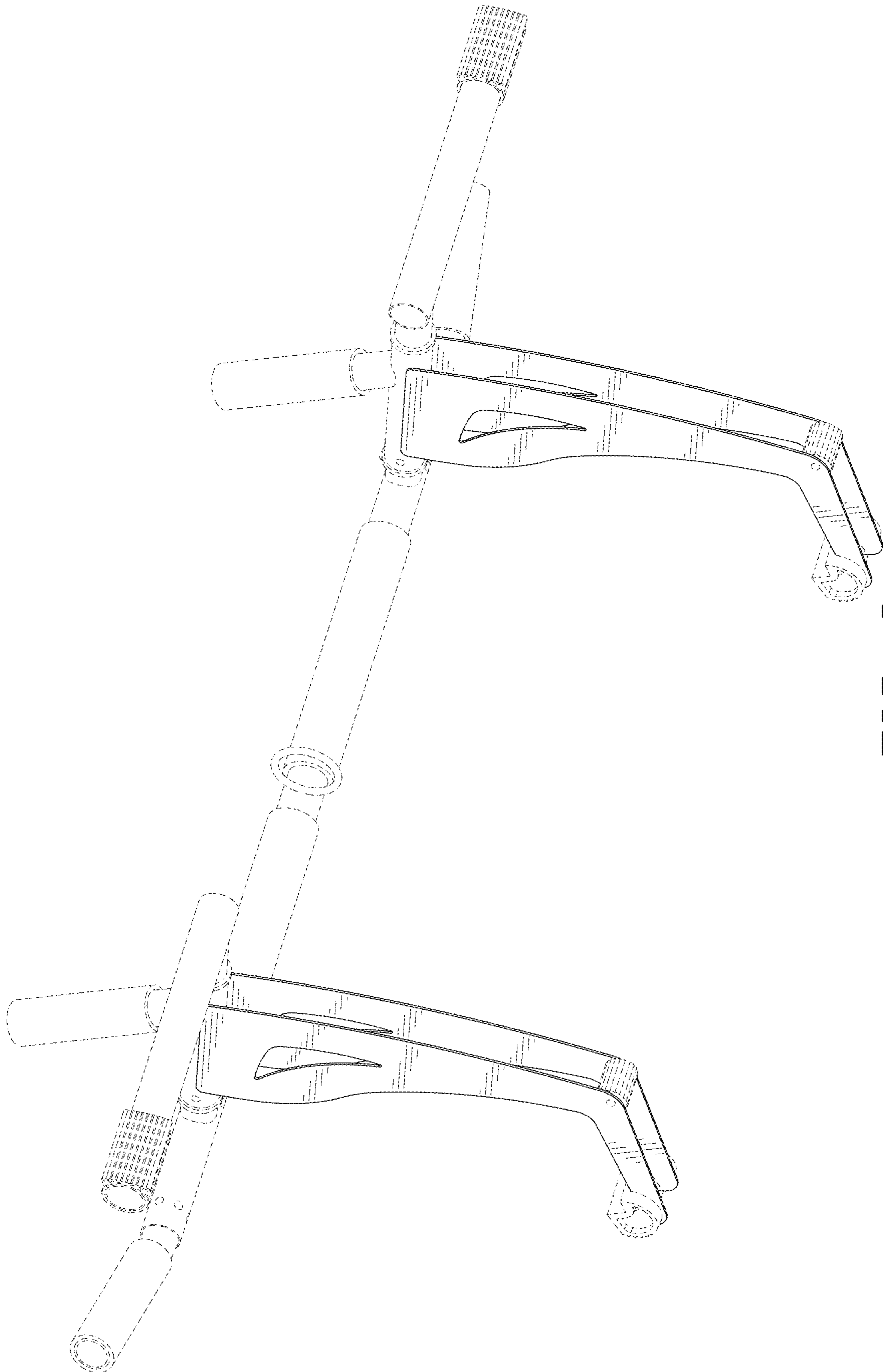


FIG. 2



FIG. 3

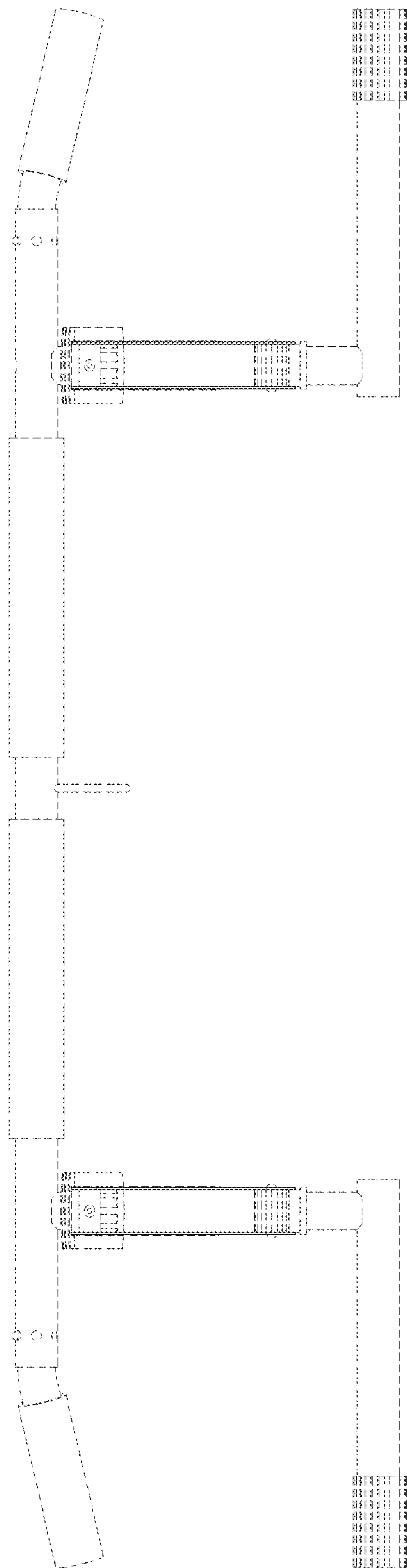


FIG. 4

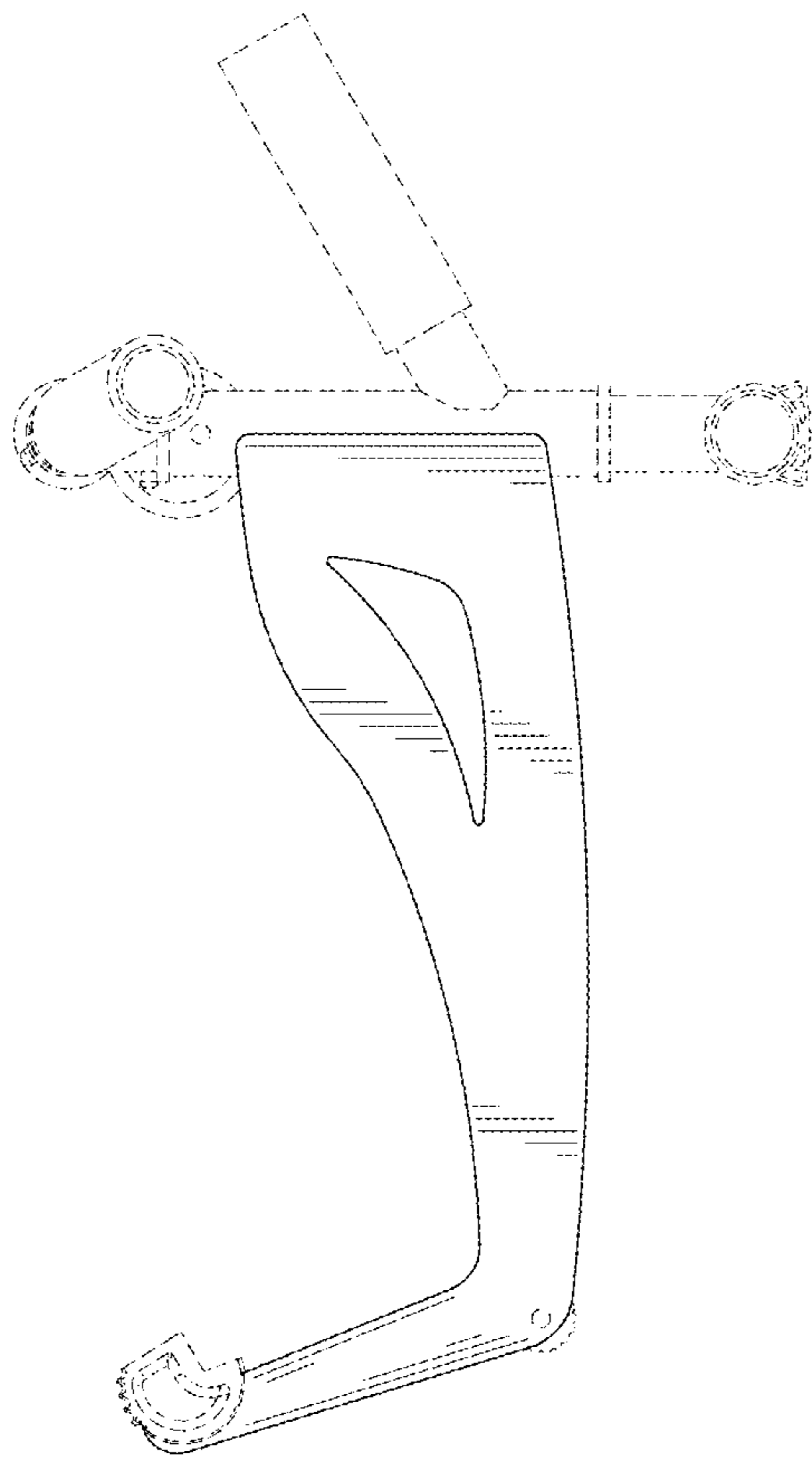


FIG. 5

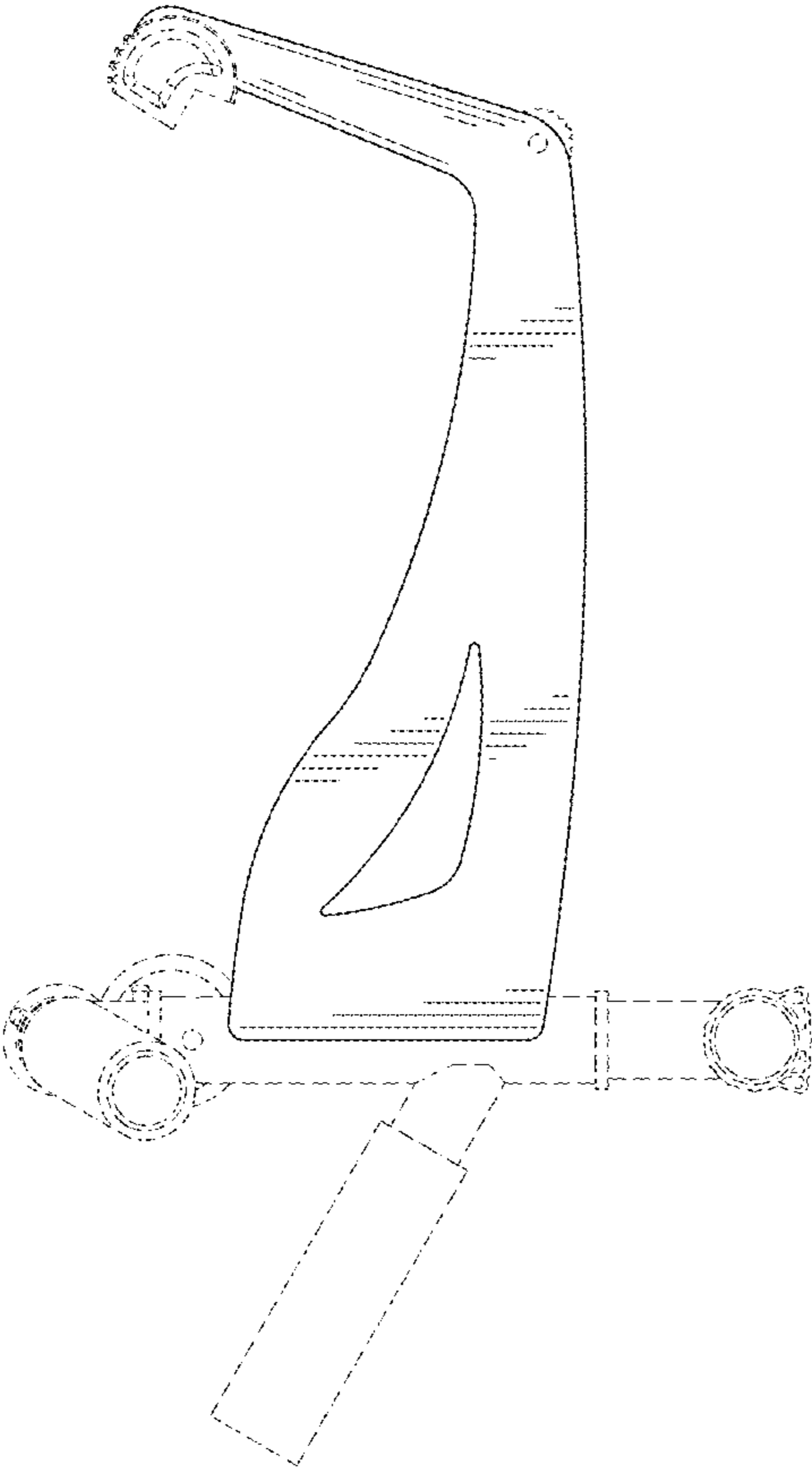


FIG. 6



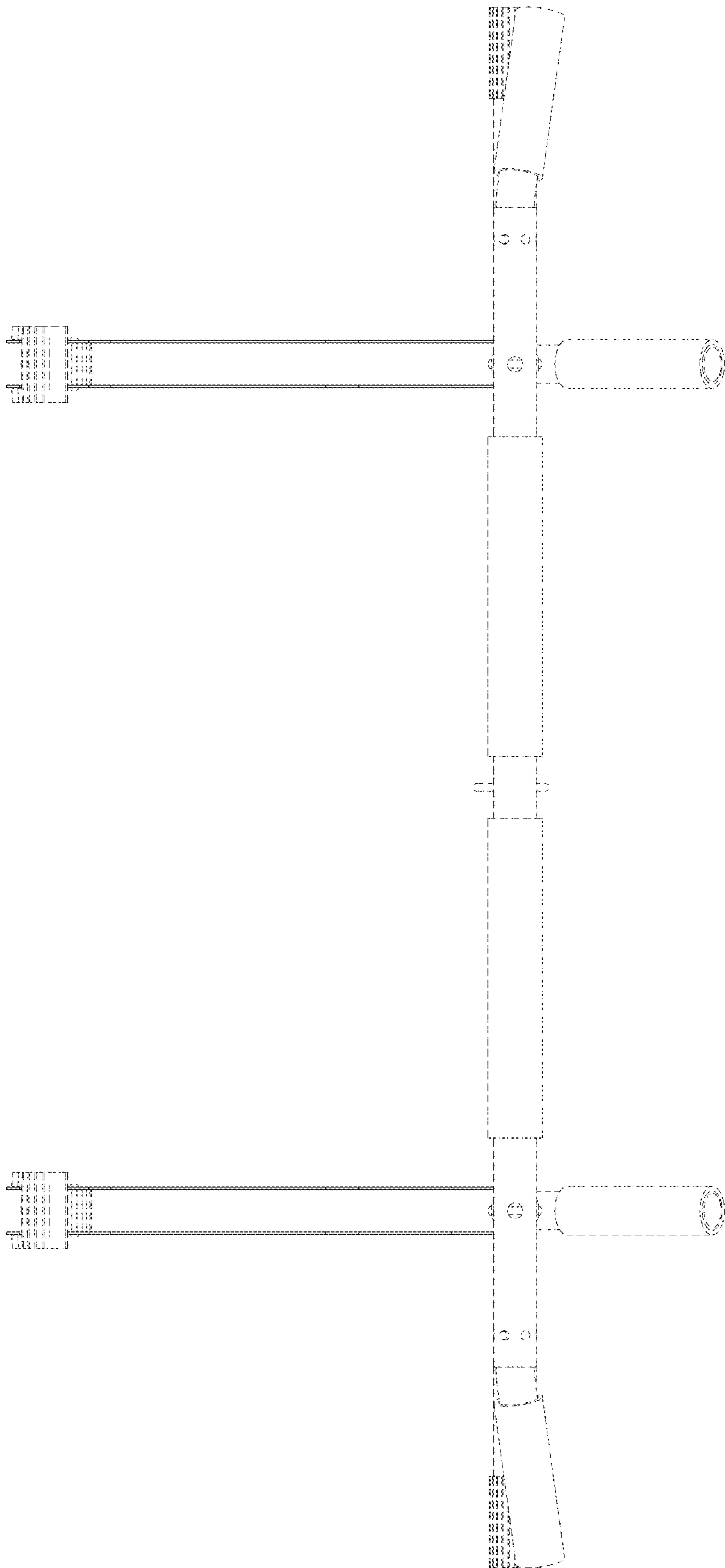


FIG. 7



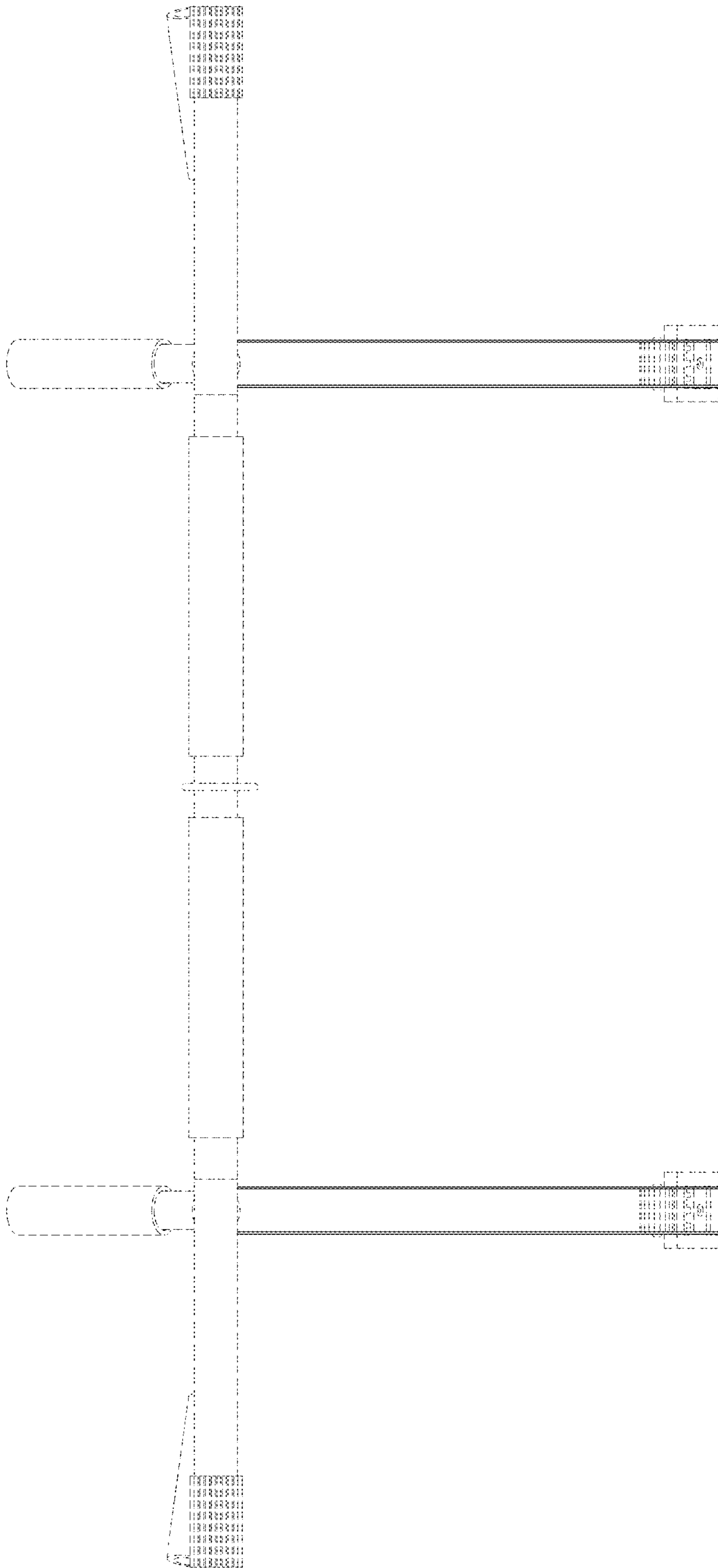


FIG. 8