

US00D967910S

(12) **United States Design Patent** (10) **Patent No.:** **US D967,910 S**
Sun (45) **Date of Patent:** **** Oct. 25, 2022**

(54) **EXERCISE BIKE**
(71) Applicant: **Jinhua LuckBard Smart Tech Co., Ltd, Jinhua (CN)**
(72) Inventor: **Huajian Sun, Jinhua (CN)**
(**) Term: **15 Years**
(21) Appl. No.: **29/804,452**
(22) Filed: **Aug. 20, 2021**
(51) **LOC (13) Cl.** **21-02**
(52) **U.S. Cl.**
USPC **D21/663**
(58) **Field of Classification Search**
USPC D21/663, 667, 666, 697, 694, 665, 668, D21/664, 690, 676, 670; 482/57, 62, 482/111, 139, 145, 60, 51, 123, 72, 61, 482/58, 9, 59, 80; 74/502.4, 502.6, 74/594.2, 594.1, 48; D12/178, 411, 345, D12/211, 209, 205; D23/382, 381, 378, D23/412, 411, 413, 377; D13/115; D15/7, 138, 5
CPC A63B 22/0605; A63B 22/001; A63B 21/0088
See application file for complete search history.

D293,598 S * 1/1988 Kiiski D21/667
D298,267 S * 10/1988 Nakao D21/663
D299,371 S * 1/1989 Tsuyama D21/663
D299,670 S * 1/1989 Lin D21/663
D301,160 S * 5/1989 Hung D21/667
D301,268 S * 5/1989 Salovaara D21/663
D301,729 S * 6/1989 Capjon D21/663
D307,782 S * 5/1990 Birrell D21/663
D307,928 S * 5/1990 Meisner D21/663
D308,235 S * 5/1990 Meisner D21/667
D309,335 S * 7/1990 Yang D21/667
D309,337 S * 7/1990 Yang D21/667
D309,485 S * 7/1990 Bingham D21/667
D310,253 S * 8/1990 Bersonnet D21/663

(Continued)

Primary Examiner — Ryan Harvey

(57) **CLAIM**

The ornamental design for an exercise bike, as shown and described.

DESCRIPTION

FIG. 1 is a front and top perspective view of an exercise bike, showing my new design;
FIG. 2 is a rear and bottom perspective view thereof;
FIG. 3 is a front elevation view thereof;
FIG. 4 is a rear elevation view thereof;
FIG. 5 is a left side elevation view thereof;
FIG. 6 is a right side elevation view thereof;
FIG. 7 is a top plan view thereof;
FIG. 8 is a bottom plan view thereof;
FIG. 9 is an enlarged view of a portion labeled, 'FIG. 9' in FIG. 1; and,
FIG. 10 is an enlarged view of a portion labeled, 'FIG. 10' in FIG. 2.
The broken lines in the figures illustrate portions of the exercise bike that form no part of the claimed design. The dash dot dash lines in FIGS. 1, 2, 9 and 10 are for the purpose of depicting the boundary lines of the enlarged views and form no part of the claimed design.

1 Claim, 10 Drawing Sheets

(56) **References Cited**

U.S. PATENT DOCUMENTS

D225,070 S * 11/1972 Proctor D21/663
D229,077 S * 11/1973 Scalingi D21/663
D250,284 S * 11/1978 Borck D21/663
D278,268 S * 4/1985 Kiiski D21/663
D279,811 S * 7/1985 Nakao D21/663
D280,003 S * 8/1985 Kiiski D21/667
D280,227 S * 8/1985 LaMarsh D21/665
D280,923 S * 10/1985 Smith D21/667
D289,670 S * 5/1987 Kasuba D21/663
D290,149 S * 6/1987 Nakao D21/663
D291,822 S * 9/1987 Liu D21/663

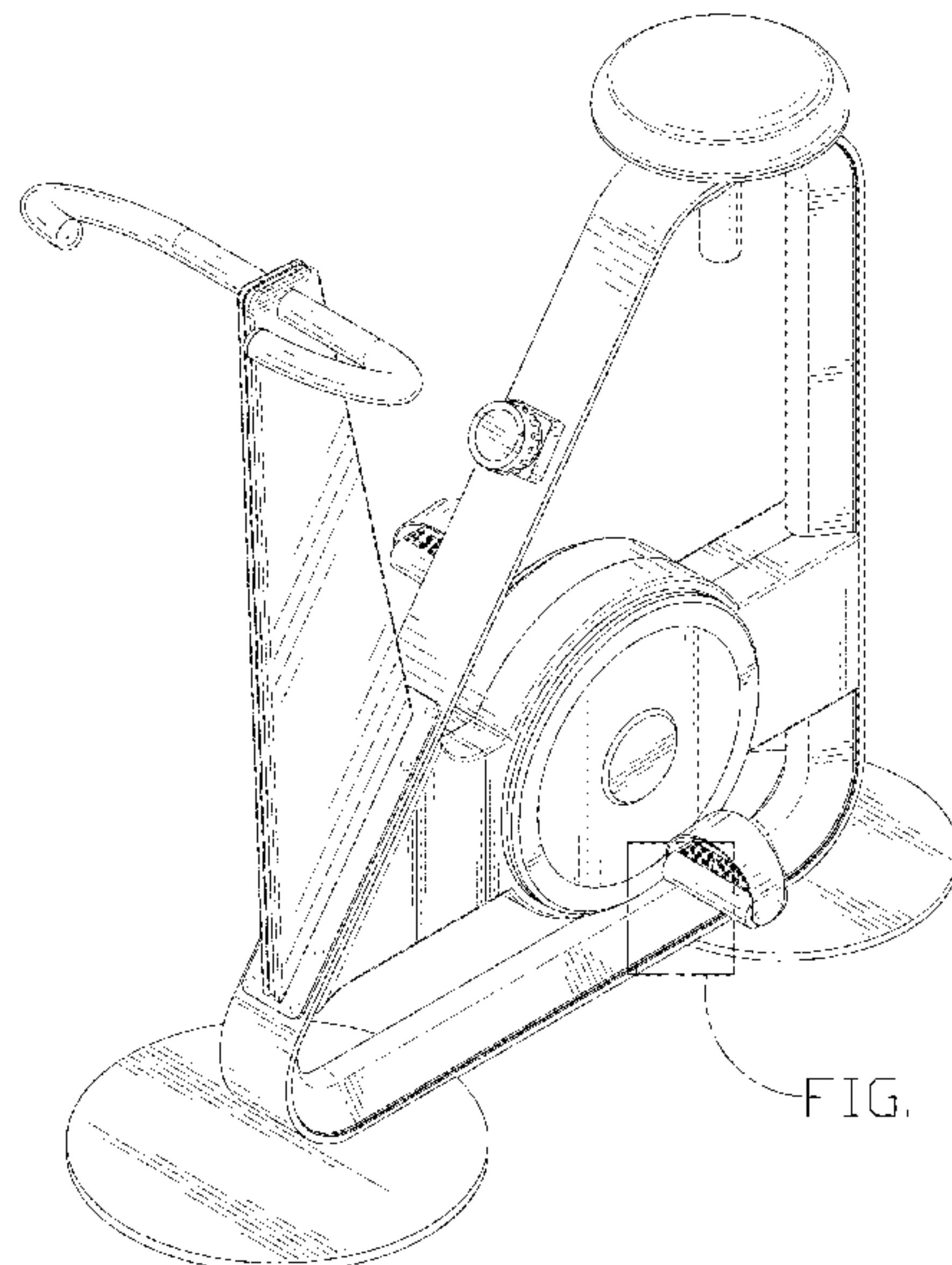


FIG. 9

(56)

References Cited

U.S. PATENT DOCUMENTS

D310,697 S * 9/1990 Kagayama D21/663
 D311,047 S * 10/1990 Carnielli D21/667
 D318,890 S * 8/1991 Klose D21/667
 D323,368 S * 1/1992 Whitesel D21/667
 D325,410 S * 4/1992 Chen D21/667
 D325,946 S * 5/1992 Cesaroni D21/663
 D329,073 S * 9/1992 Hsiao D21/663
 D331,954 S * 12/1992 Griffin D21/663
 5,205,801 A * 4/1993 Haner A63B 22/0605
 482/64
 D338,509 S * 8/1993 Gustafsson D21/667
 D343,659 S * 1/1994 Kiiski D21/667
 D344,313 S * 2/1994 Wu D21/663
 D344,774 S * 3/1994 Lertyaovarit D21/667
 D344,775 S * 3/1994 Lertyaovarit D21/667
 D344,776 S * 3/1994 Lertyaovarit D21/667
 D349,932 S * 8/1994 Ueda D21/663
 D353,421 S * 12/1994 Gallivan D21/667
 D353,690 S * 12/1994 Tsushi D21/663
 D356,840 S * 3/1995 Huang D21/667
 D357,953 S * 5/1995 Warehime D21/667
 D360,002 S * 7/1995 Wu D21/667
 D360,916 S * 8/1995 Koga D21/663
 D366,298 S * 1/1996 Wu D21/663
 D377,672 S * 1/1997 Wanzer D21/663
 D398,673 S * 9/1998 Huang D21/663
 D399,894 S * 10/1998 Chiu D21/663
 D401,644 S * 11/1998 Chen D21/663
 D406,288 S * 3/1999 Chen D21/663

5,902,215 A * 5/1999 Kuo A63B 22/0605
 482/57
 5,971,894 A * 10/1999 Chen A63B 22/0605
 482/57
 D433,082 S * 10/2000 Tsushi D21/663
 D444,515 S * 7/2001 Moran D21/663
 D463,835 S * 10/2002 Nishizawa D21/663
 6,565,487 B1 * 5/2003 Kuo A63B 22/0605
 267/132
 D512,754 S * 12/2005 Nagano D21/663
 D519,171 S * 4/2006 Kuo D21/663
 D524,384 S * 7/2006 Nagano D21/663
 7,077,789 B1 * 7/2006 Chen A63B 21/0051
 482/63
 D526,031 S * 8/2006 Corbalis D21/663
 D534,226 S * 12/2006 Corbalis D21/697
 D620,059 S * 7/2010 Horita D21/663
 D647,981 S * 11/2011 Chen D21/663
 D655,354 S * 3/2012 Schiepati D21/667
 D672,827 S * 12/2012 Alessandri D21/663
 8,808,150 B2 * 8/2014 Choi A63B 69/16
 482/57
 D778,997 S * 2/2017 Xu D21/663
 D843,501 S * 3/2019 Mino D21/663
 D873,933 S * 1/2020 Bennett D21/667
 D916,212 S 4/2021 Sun
 2008/0119334 A1 * 5/2008 Peng A63B 22/0605
 482/64
 2010/0267519 A1 * 10/2010 Johnson, II A63B 22/001
 482/8

* cited by examiner

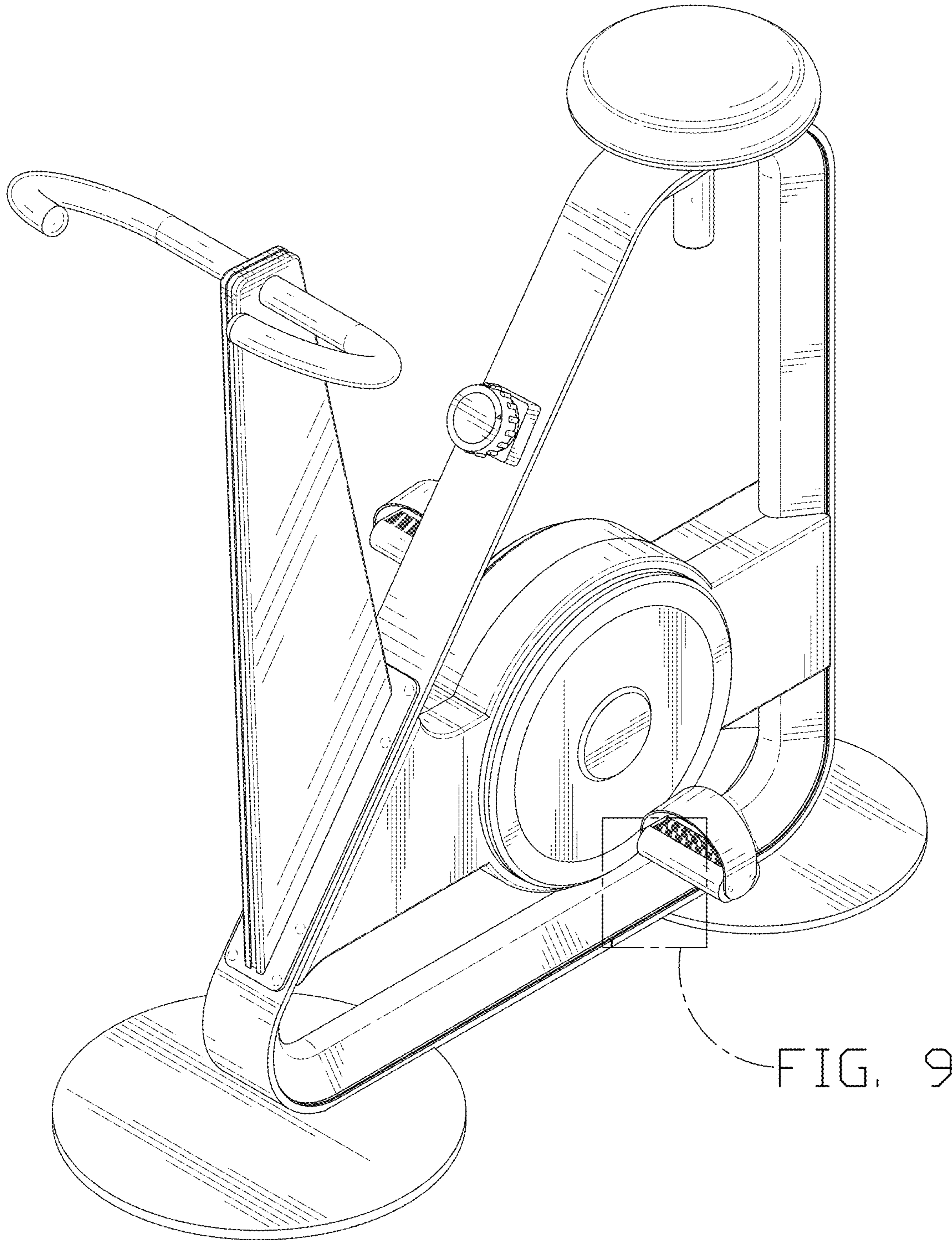


FIG. 9

FIG. 1

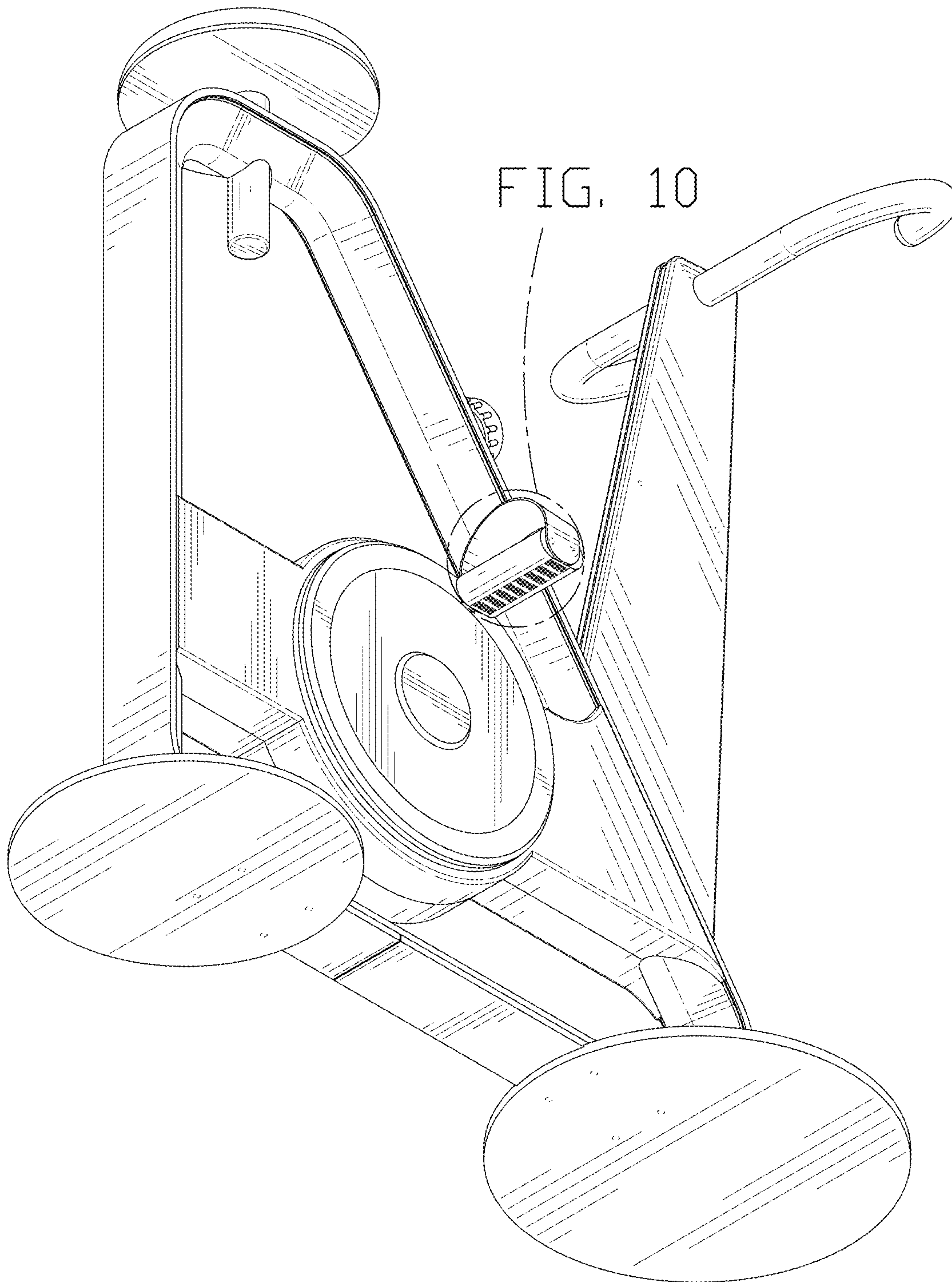


FIG. 2

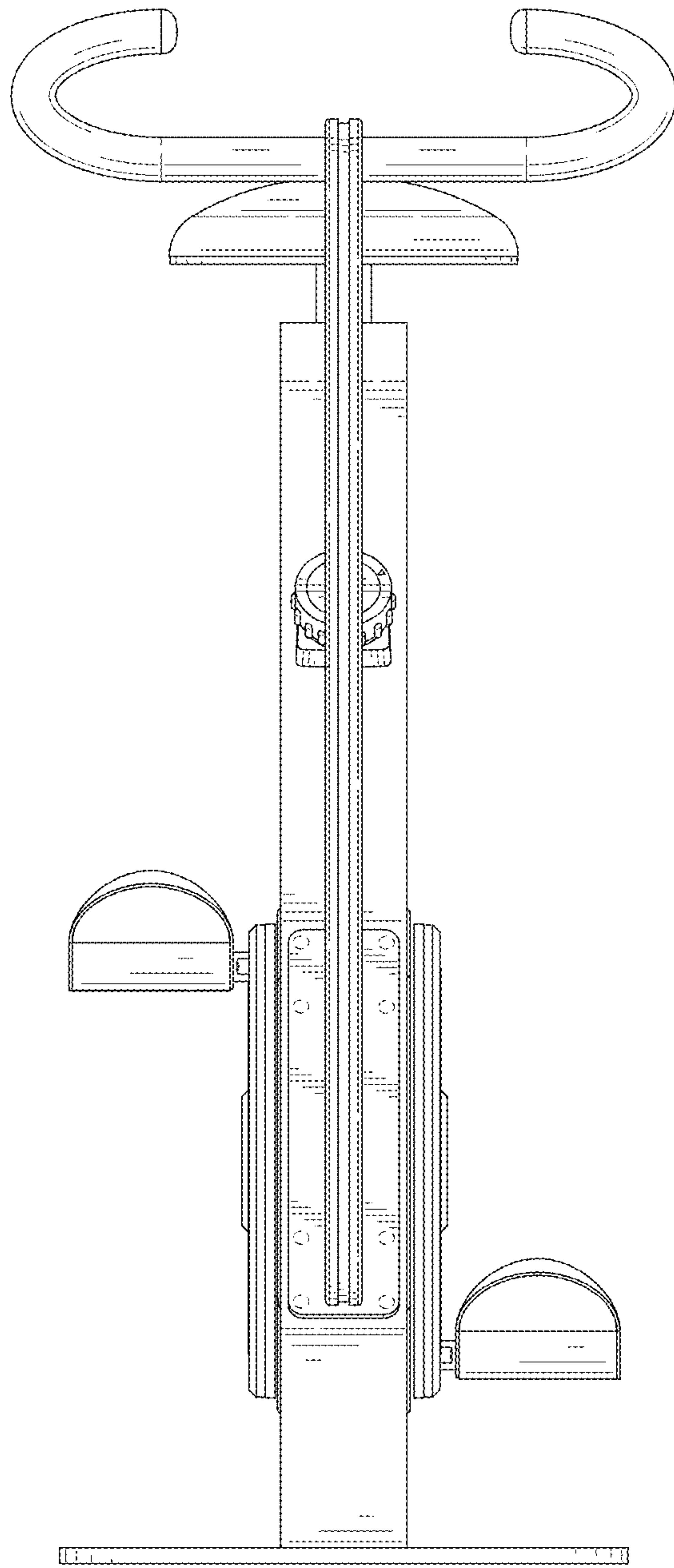


FIG. 3

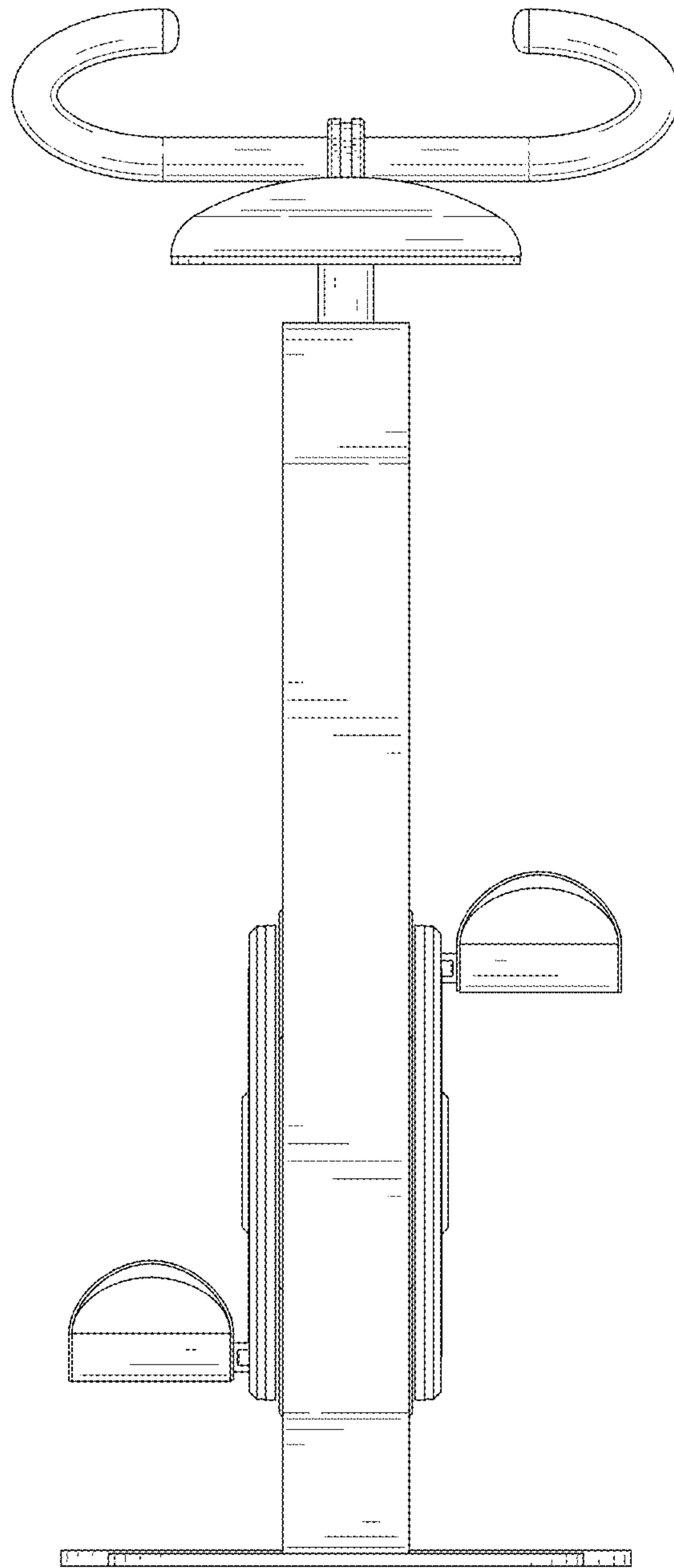


FIG. 4

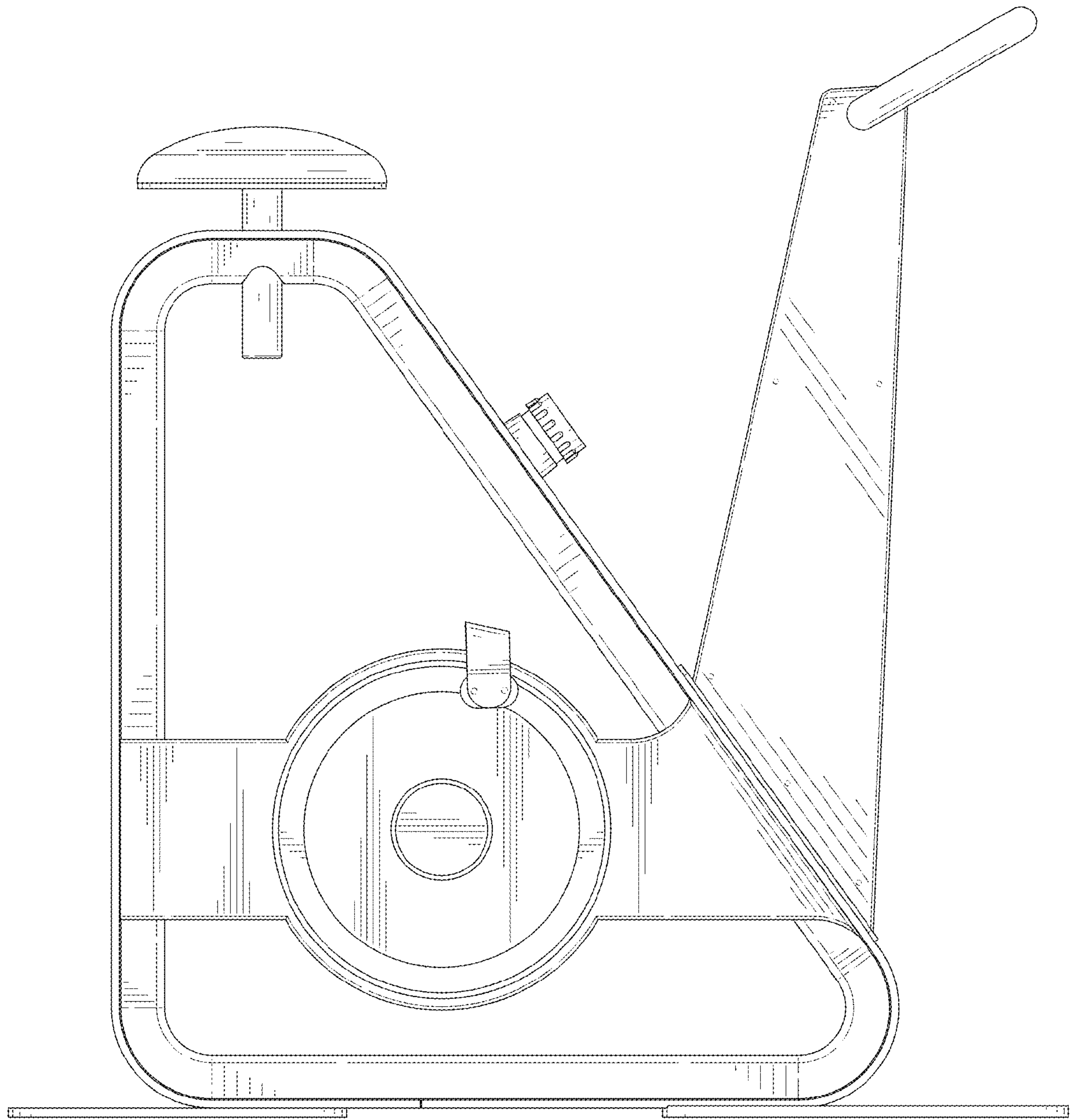


FIG. 5

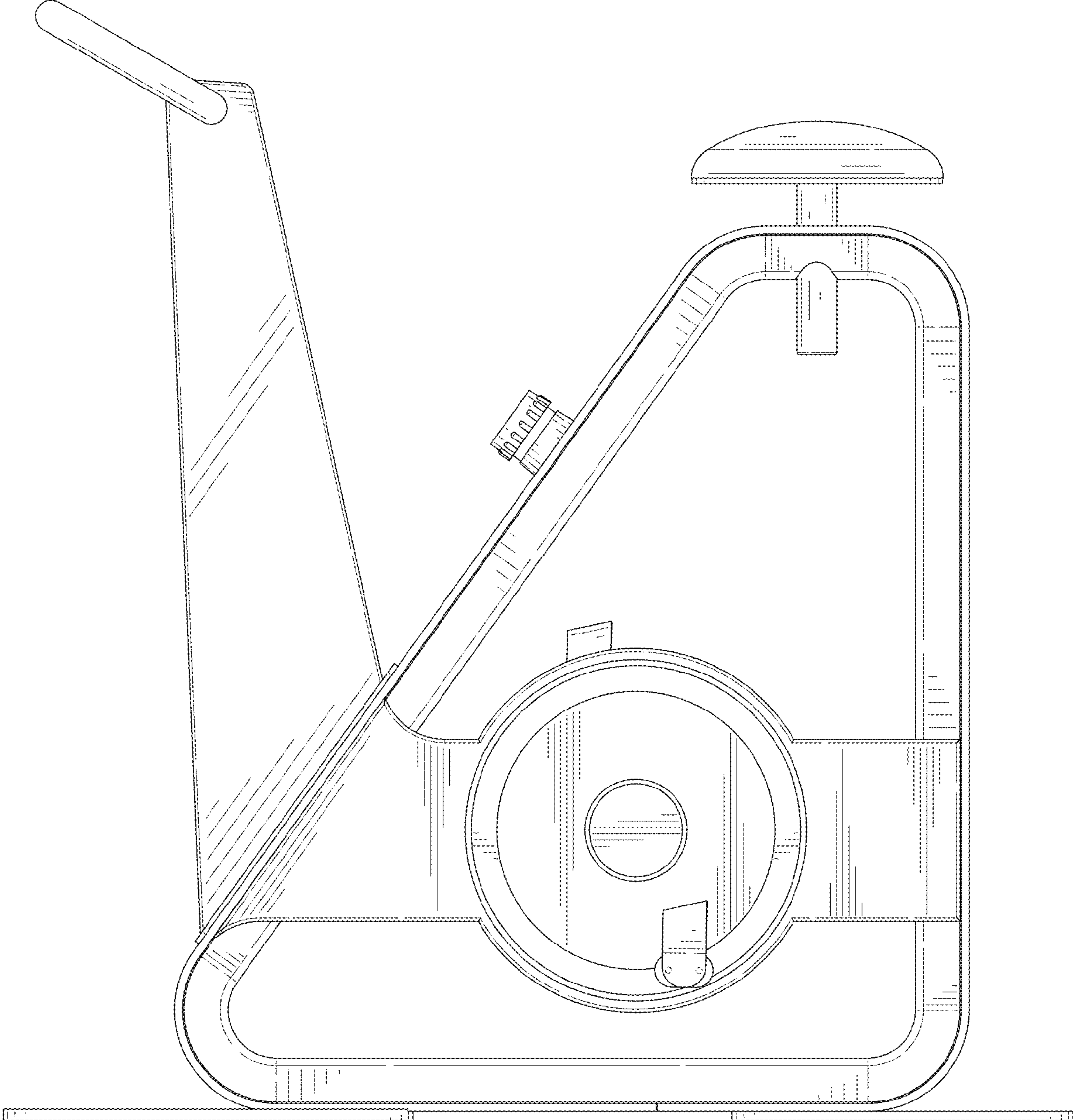


FIG. 6

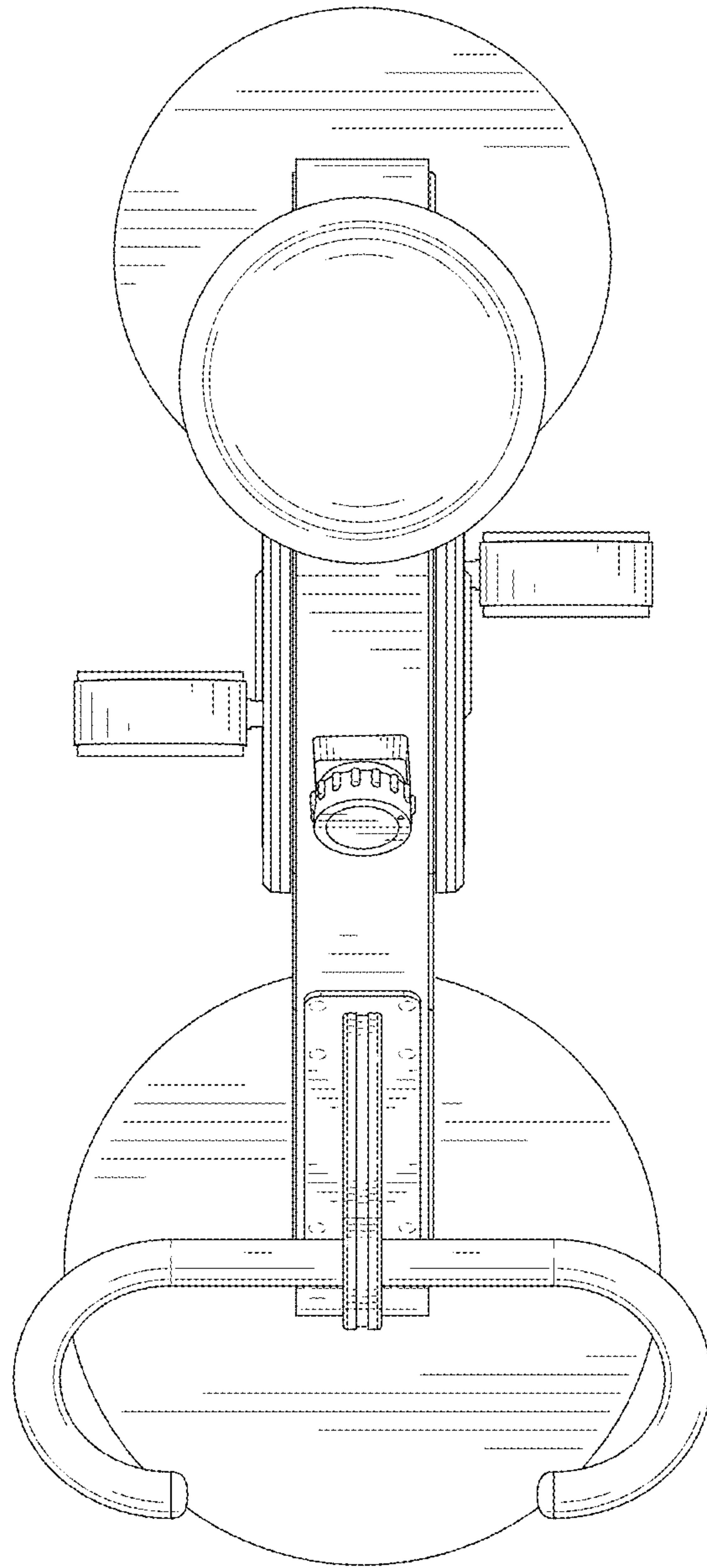


FIG. 7

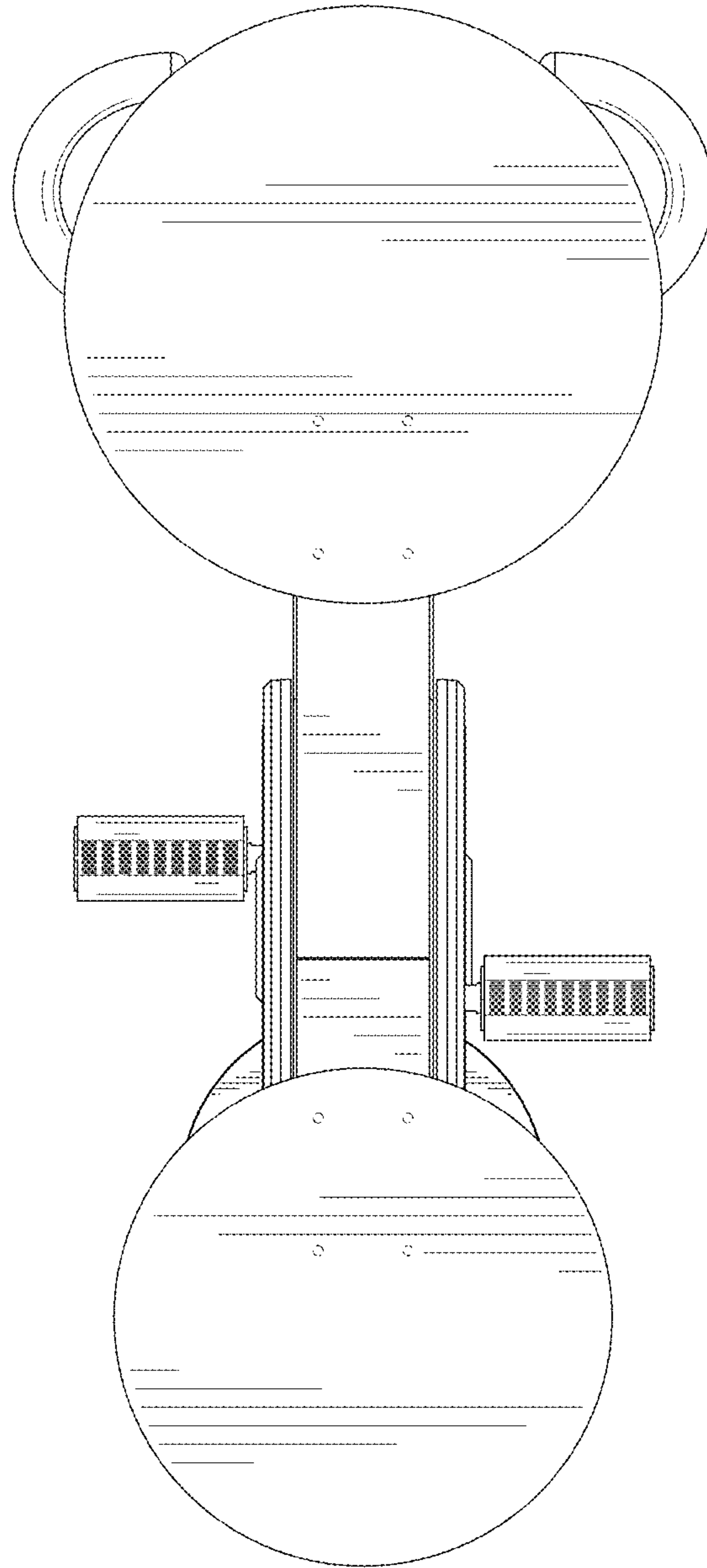


FIG. 8

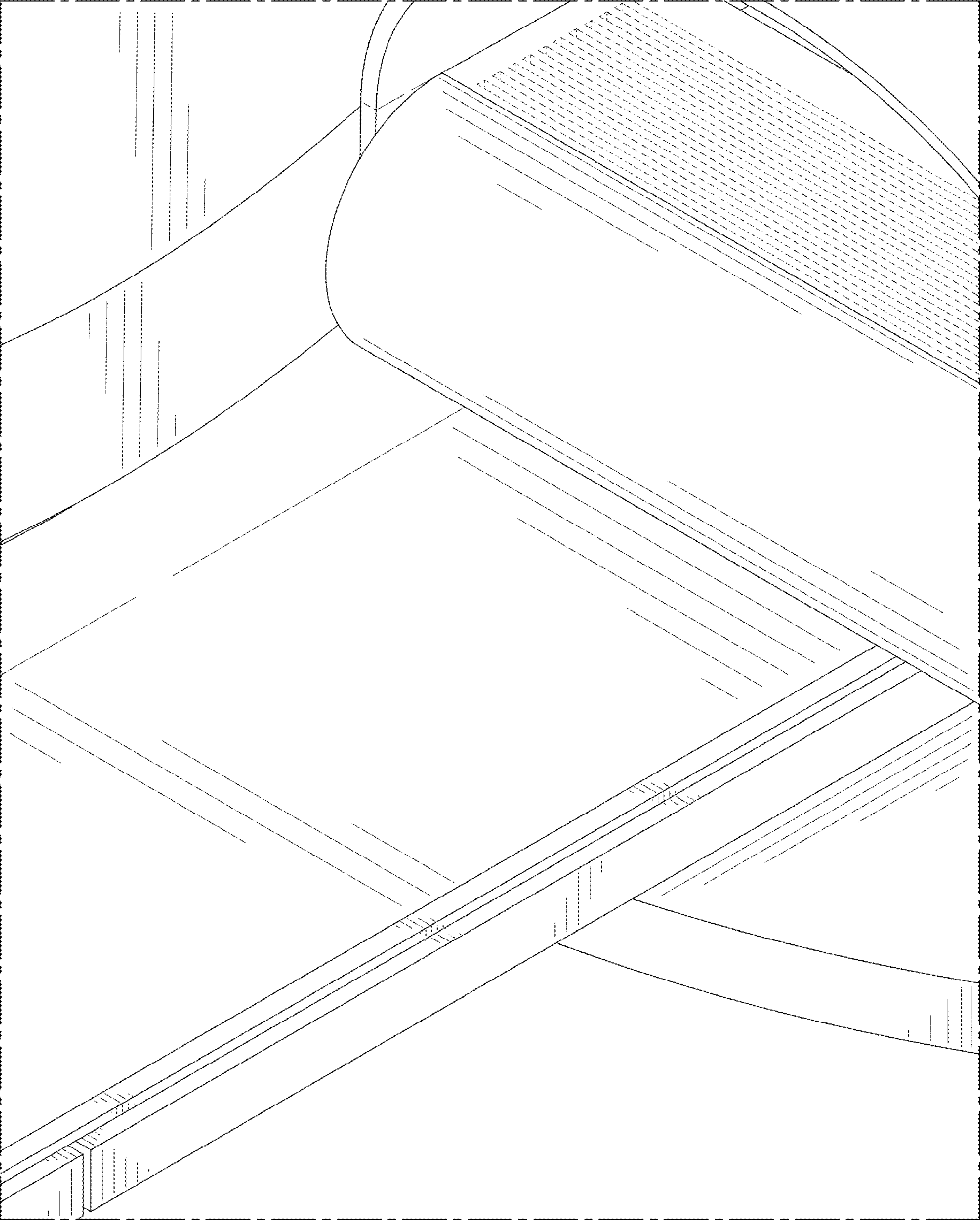


FIG. 9

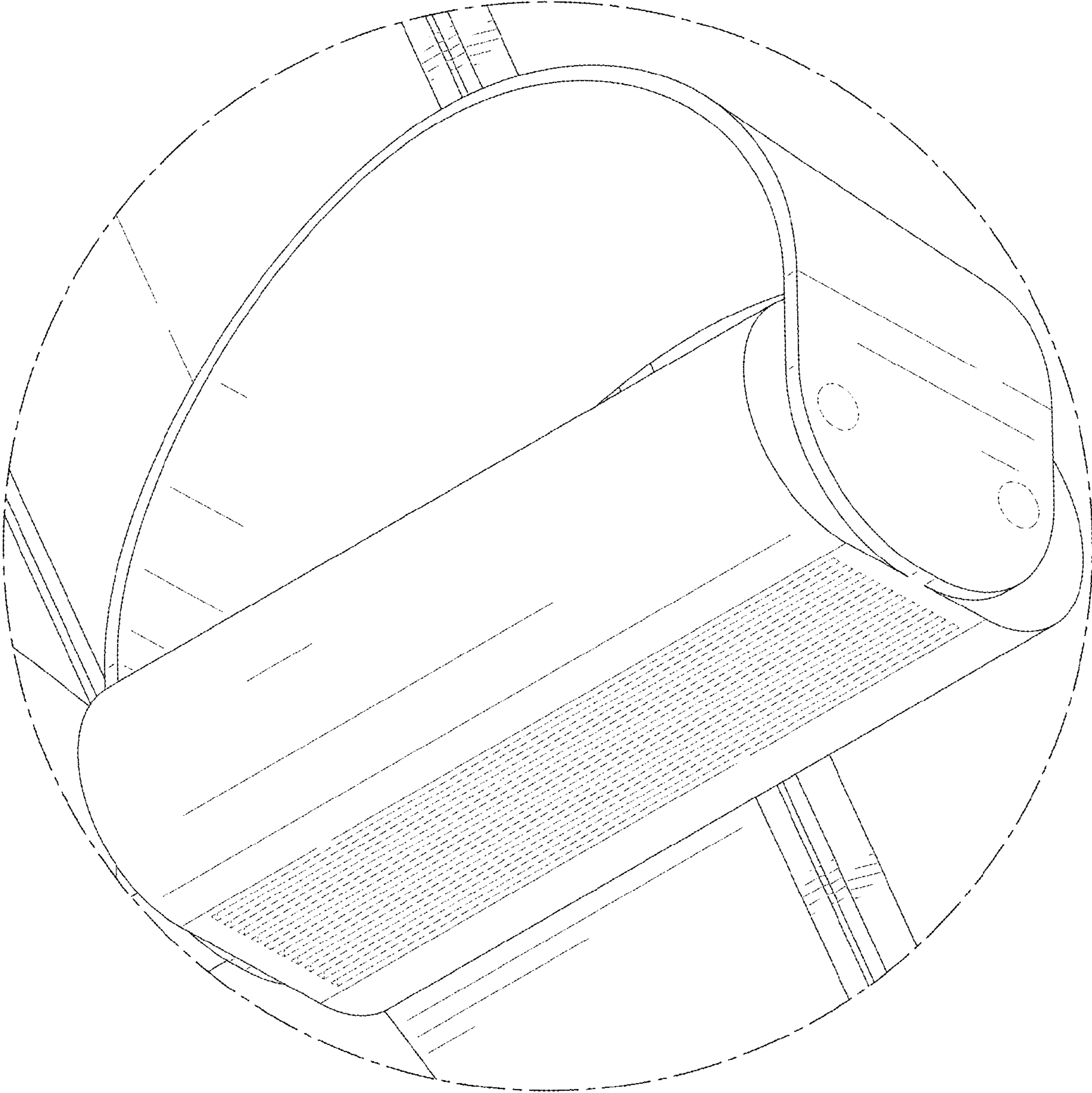


FIG. 10