



US00D967906S

(12) **United States Design Patent**
Chen

(10) **Patent No.:** **US D967,906 S**

(45) **Date of Patent:** **** Oct. 25, 2022**

(54) **TOY GUN**

(71) Applicant: **Donghong Chen**, Shantou (CN)

(72) Inventor: **Donghong Chen**, Shantou (CN)

(**) Term: **15 Years**

(21) Appl. No.: **29/785,049**

(22) Filed: **May 24, 2021**

(51) **LOC (13) Cl.** **21-01**

(52) **U.S. Cl.**
USPC **D21/573**

(58) **Field of Classification Search**
USPC D21/333, 570, 572-575; D14/418;
D22/100, 103
CPC F41B 7/00; F41B 7/003; F41B 7/08; F41B
9/00; F41B 9/0078; F41B 9/0081; F41B
11/89; A63H 5/04
See application file for complete search history.

(56) **References Cited**

U.S. PATENT DOCUMENTS

D660,926 S *	5/2012	Mastin	D21/573
D664,609 S *	7/2012	Johnson	D21/574
D828,881 S	9/2018	Lee		
D834,112 S *	11/2018	Chu	D21/573
D899,530 S	10/2020	Iwasawa		
2010/0022160 A1 *	1/2010	Lee	H03G 3/30 446/473
2011/0168149 A1 *	7/2011	Nadel	F41B 11/641 124/78
2019/0093977 A1 *	3/2019	Kim	A63H 5/04
2019/0101358 A1 *	4/2019	Faecher	G01P 3/665
2020/0232744 A1 *	7/2020	Lin	F41B 11/642

OTHER PUBLICATIONS

SnowCinda Store Toy Guns for Nerf Guns Bullet, reviewed and online as early as Mar. 21, 2021 [online], [site visited Apr. 7, 2022].

Available from Internet: <URL: <https://www.amazon.com/Bullet-Electric-Refill-Darts-Blasters/dp/B08TBW2XJ6/>> (Year: 2021).*

(Continued)

Primary Examiner — Cynthia M. Chin

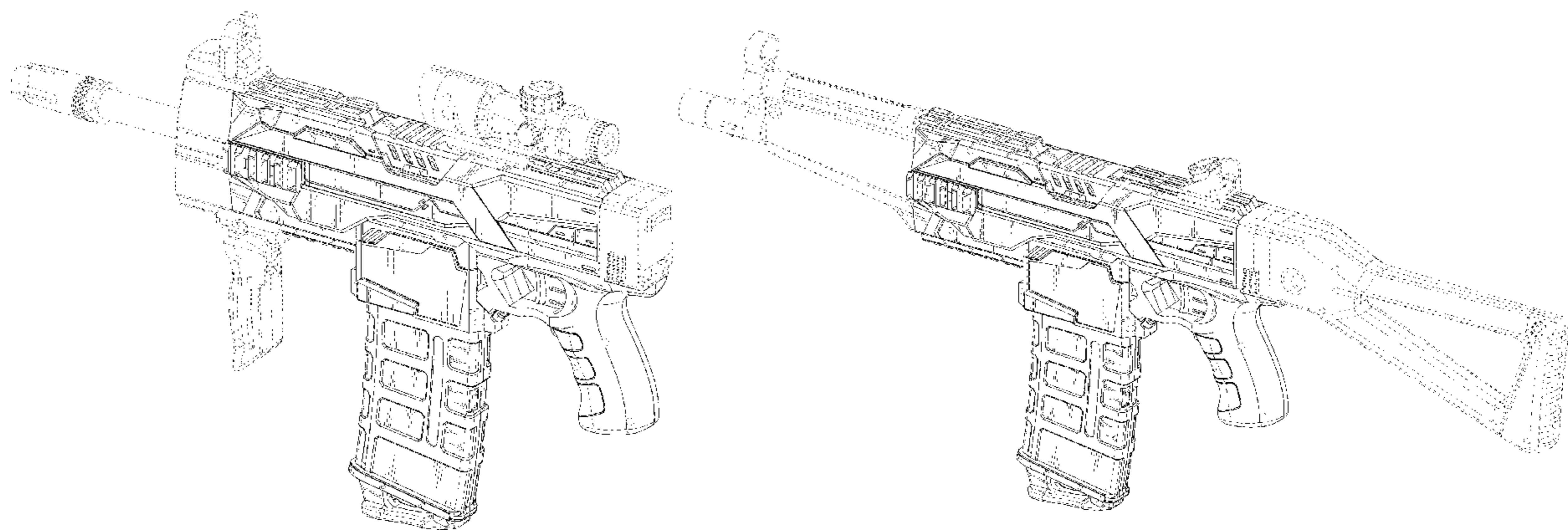
(57) **CLAIM**

The ornamental design for a toy gun, as shown and described.

DESCRIPTION

FIG. 1 is a perspective view of a toy gun showing my new design;
FIG. 2 is another perspective view thereof;
FIG. 3 is a front elevational view thereof;
FIG. 4 is a rear elevational view thereof;
FIG. 5 is a left side elevational view thereof;
FIG. 6 is a right side elevational view thereof;
FIG. 7 is a top plan view thereof;
FIG. 8 is a bottom plan view thereof;
FIG. 9 is a perspective view of the toy gun where the toy gun is in a first exemplary configuration of use;
FIG. 10 is a perspective view of the toy gun where the toy gun is in a second exemplary configuration of use;
FIG. 11 is a perspective view of the toy gun where the toy gun is in a third exemplary configuration of use;
FIG. 12 is a perspective view of the toy gun where the toy gun is in a fourth exemplary configuration of use;
FIG. 13 is a perspective view of the toy gun where the toy gun is in a fifth exemplary configuration of use;
FIG. 14 is a perspective view of the toy gun where the toy gun is in a sixth exemplary configuration of use; and,
FIG. 15 is a perspective view of the toy gun where the toy gun is in a seventh exemplary configuration of use.
The broken lines in the drawings depict portions of the toy gun that form no part of the claimed design.

1 Claim, 15 Drawing Sheets



(56)

References Cited

OTHER PUBLICATIONS

Holiky DIY Electric Automatic Toy Guns, reviewed and online as early as Oct. 19, 2020 [online], [site visited Apr. 7, 2022]. Available from Internet: <URL:https://www.amazon.com/Holiky-Electric-Automatic-Bullets-Multi-Player/dp/B08D3H9H8Q> (Year: 2020).*

Holiky M416 Blaster Unboxing and Review (Select Fire Stryfe), posted by TaG Jan. 20, 2021 [online], [site visited Apr. 7, 2022]. Available from Internet: <URL:https://www.youtube.com/watch?v=nt-Rt6A-1tM> (Year: 2021).*

Amazon's Knock Off Nerf Blasters, Good or Bad?, posted by Ryker's Toybox May 7, 2021 [online], [site visited Apr. 7, 2022]. Available from Internet: <URL:https://www.youtube.com/watch?v=K1VdD0yBH_w> (Year: 2021).*

* cited by examiner



FIG. 1



FIG. 2

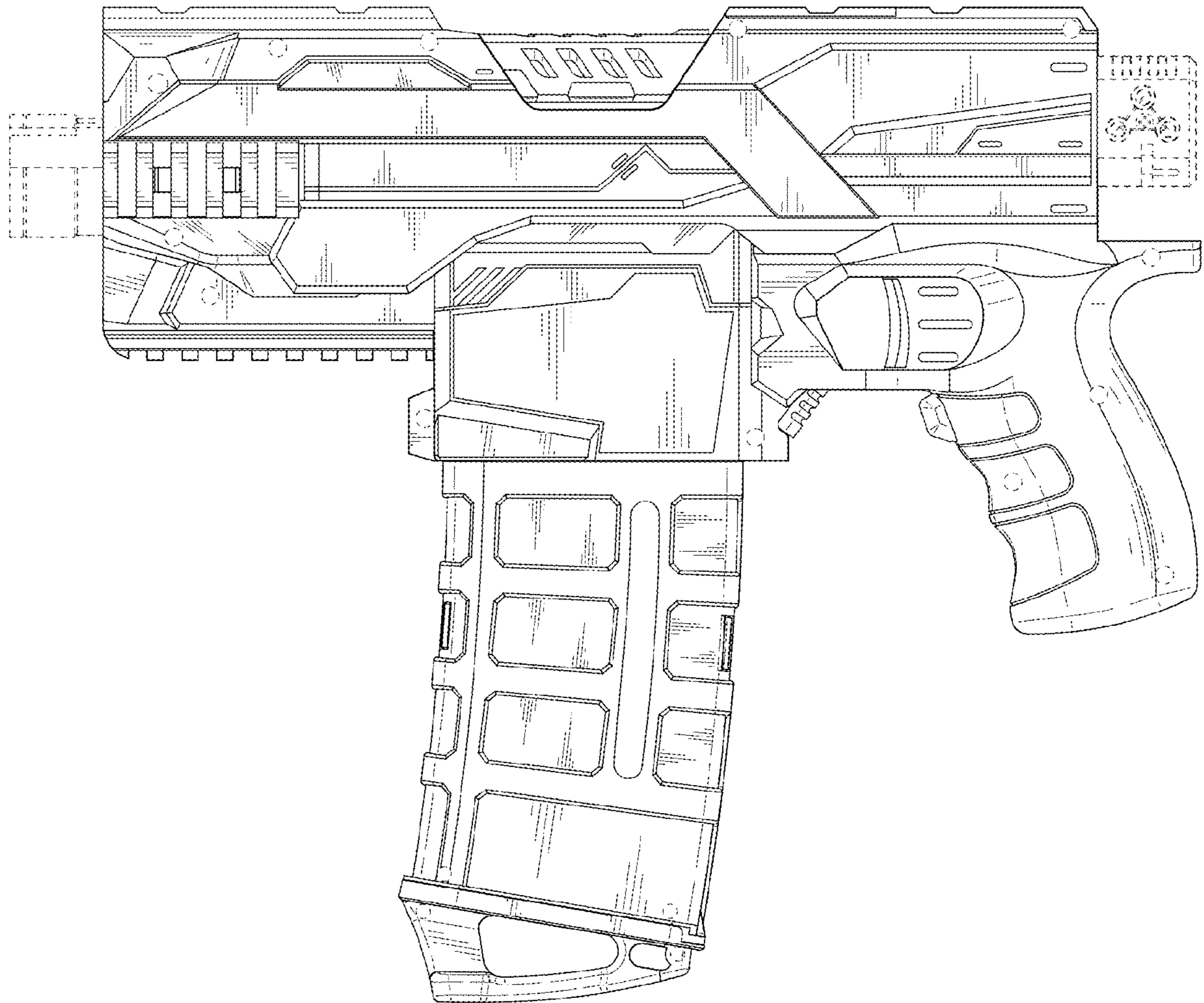


FIG. 3

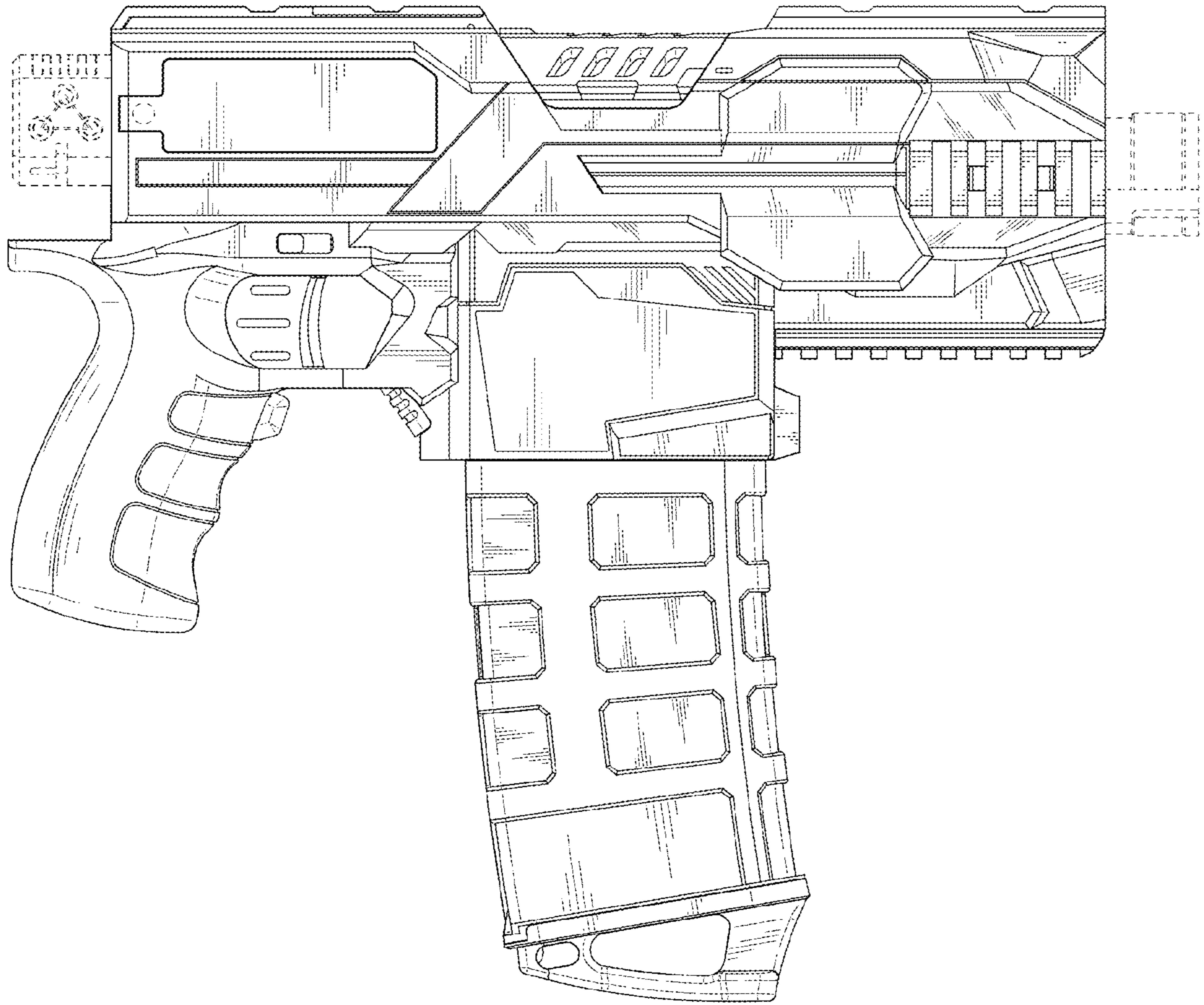


FIG. 4

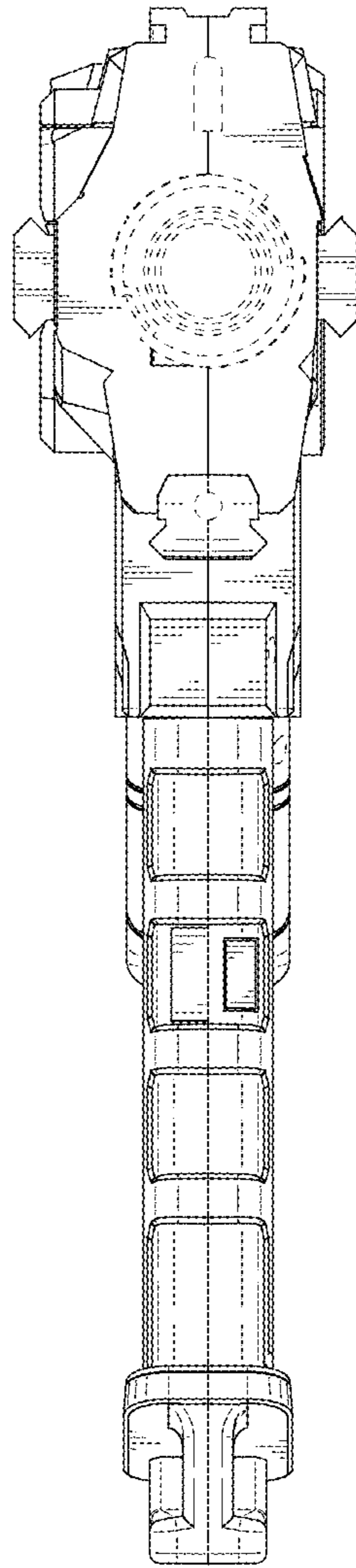


FIG. 5

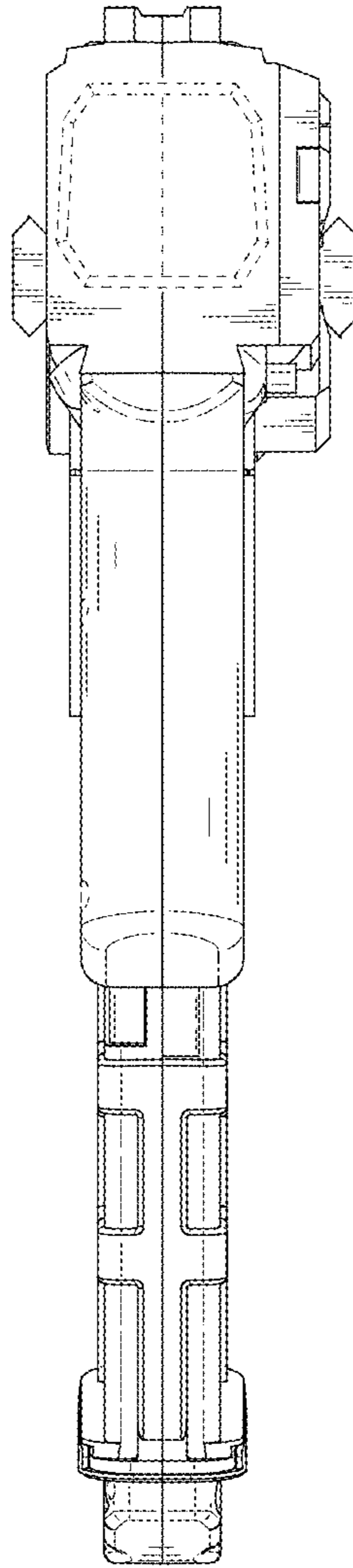


FIG. 6

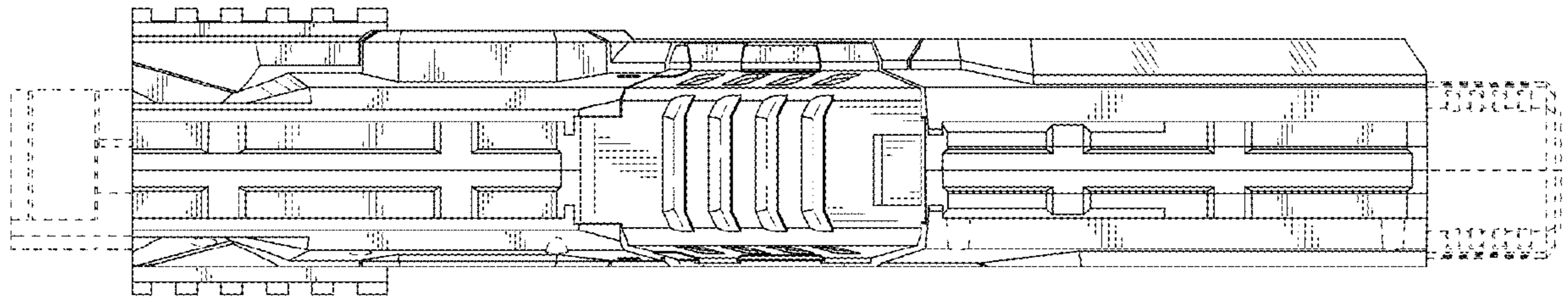


FIG. 7

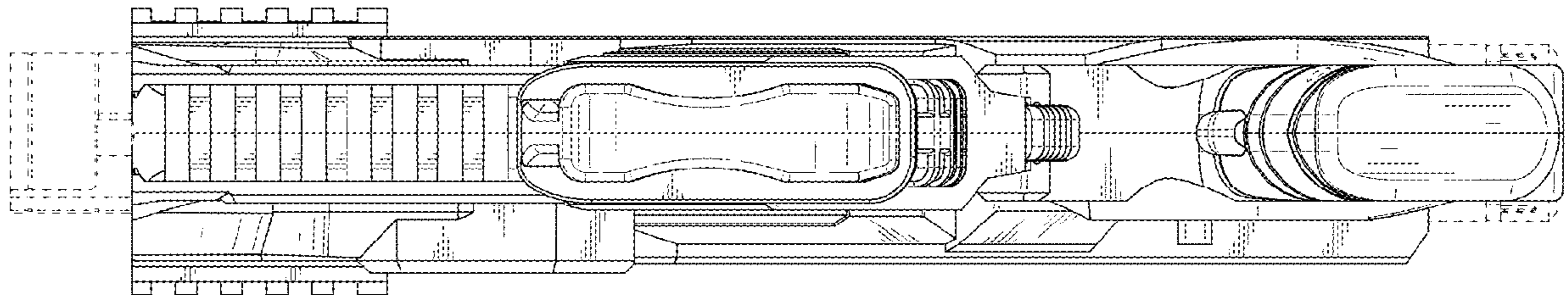


FIG. 8

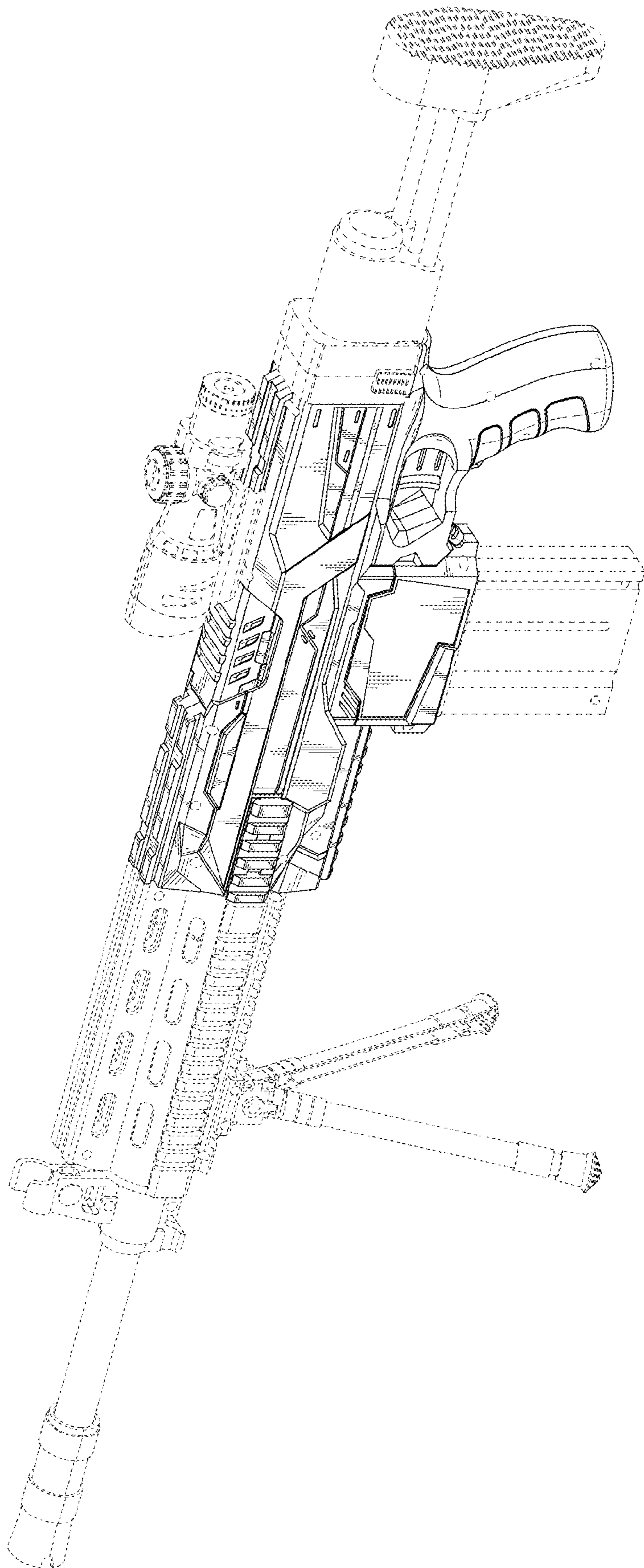


FIG. 9

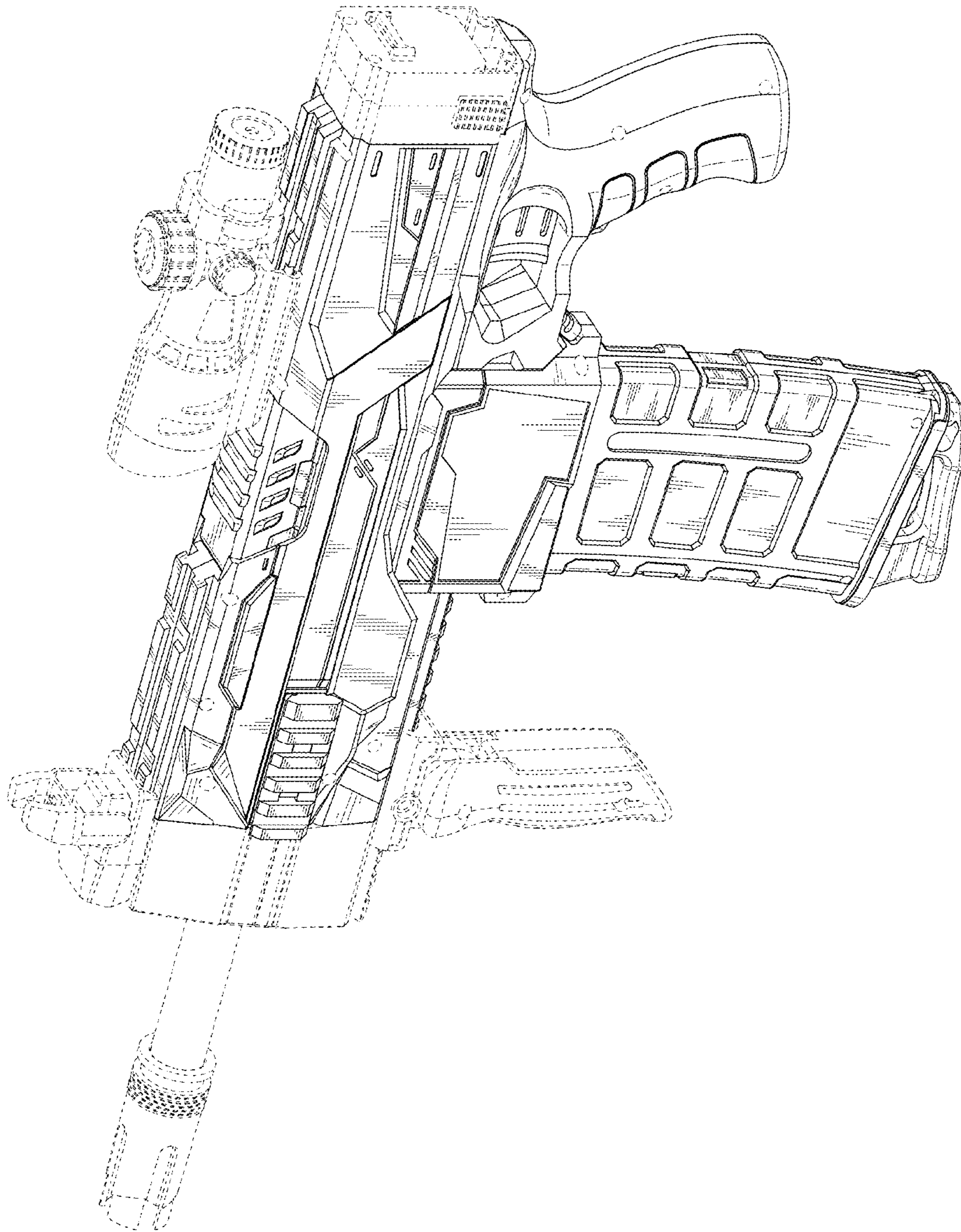


FIG. 10

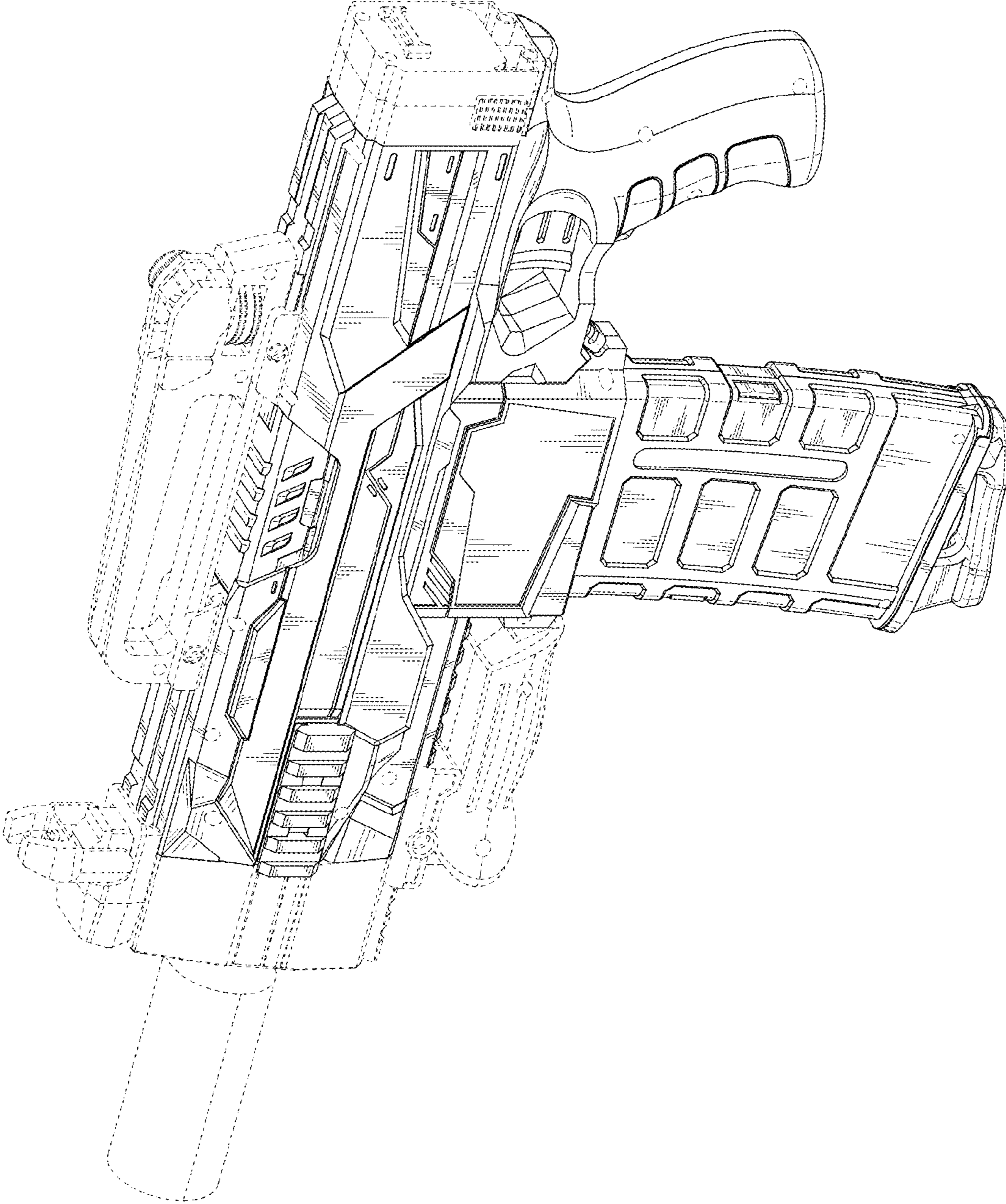


FIG. 11

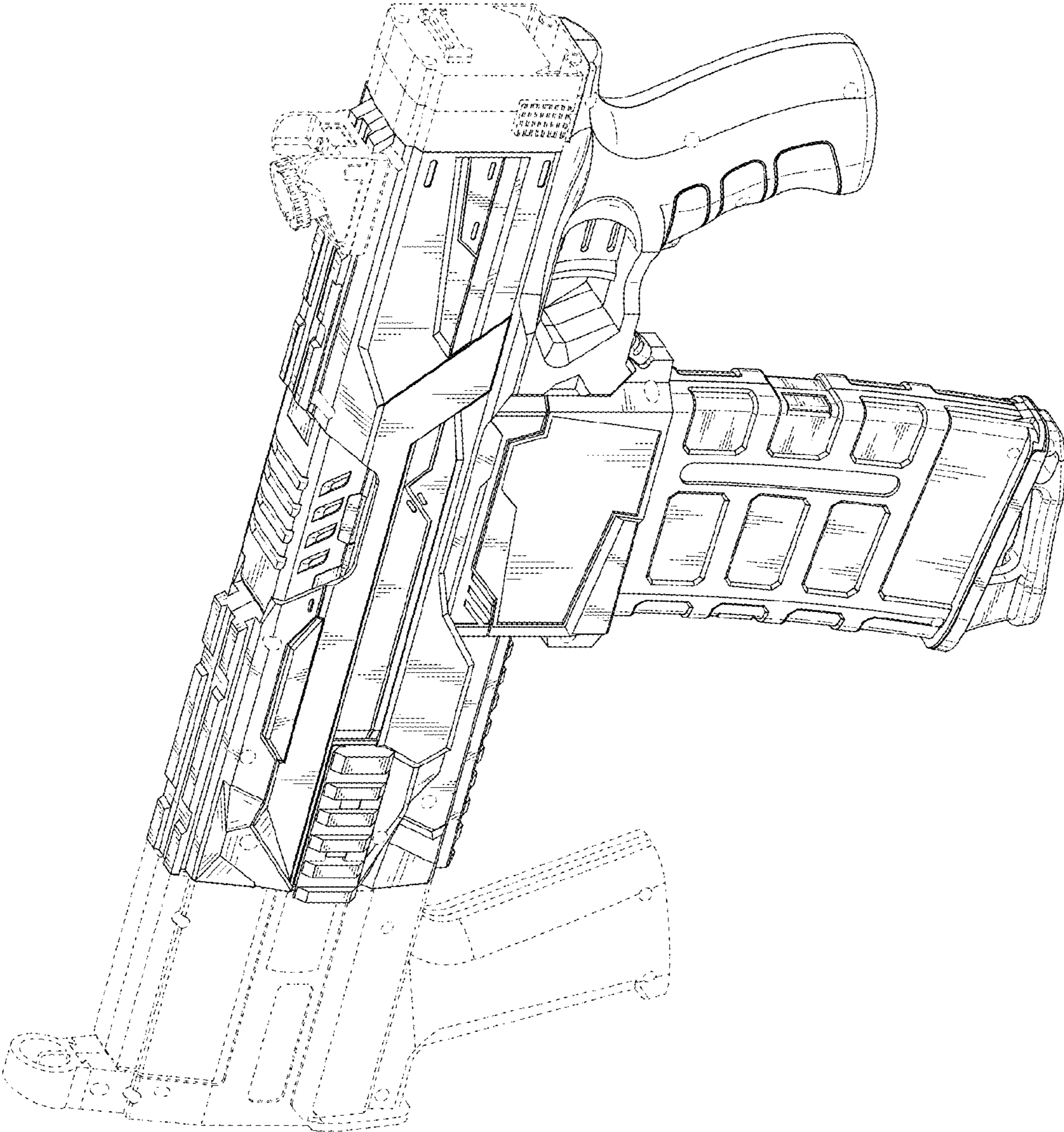


FIG. 12

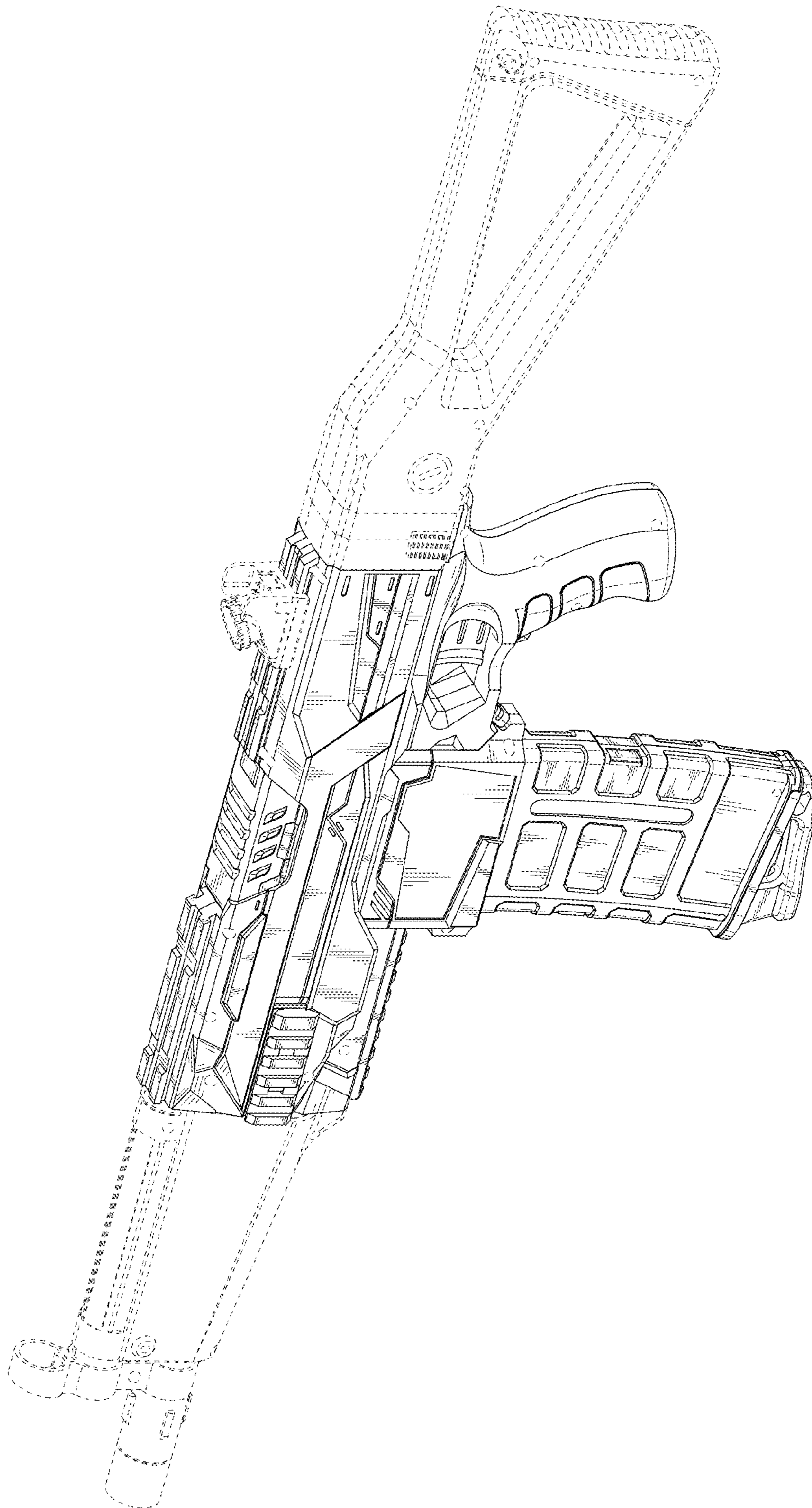


FIG. 13

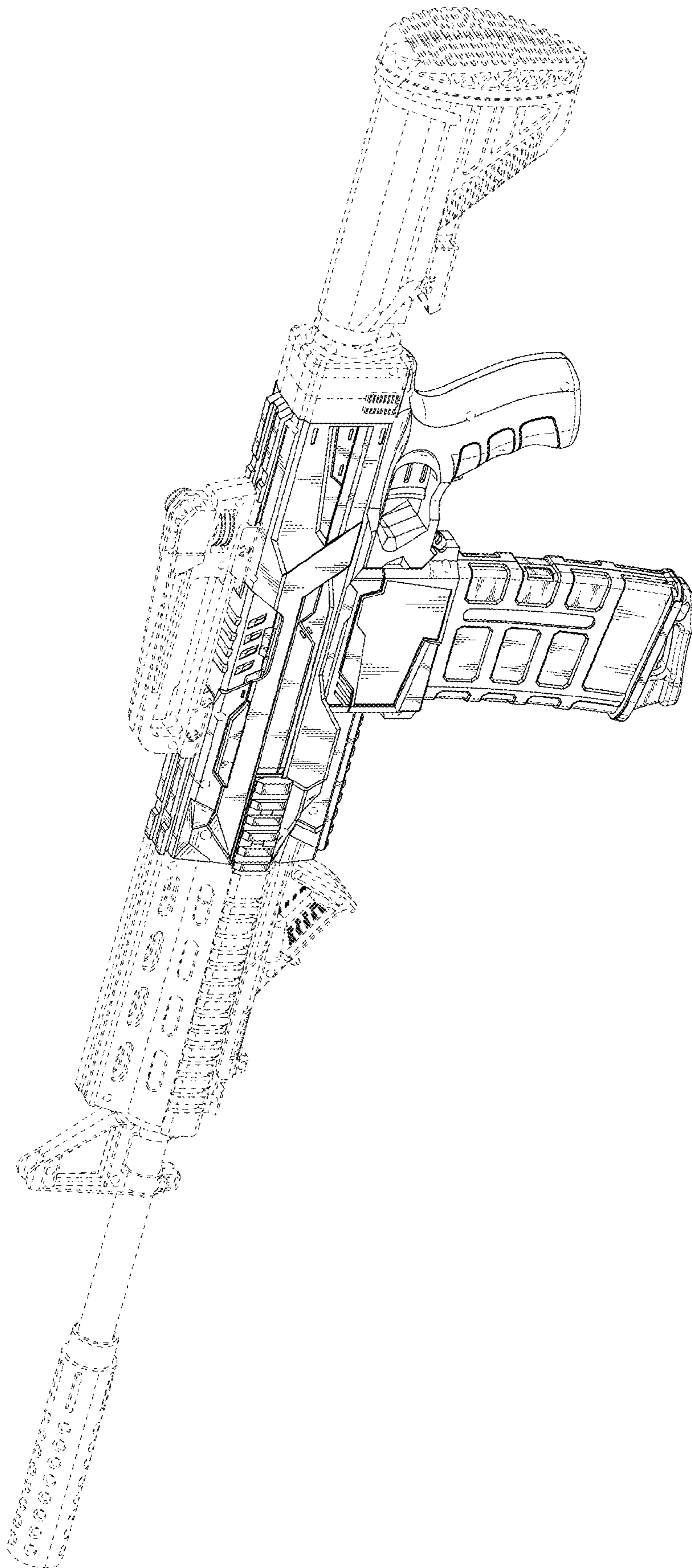


FIG. 14

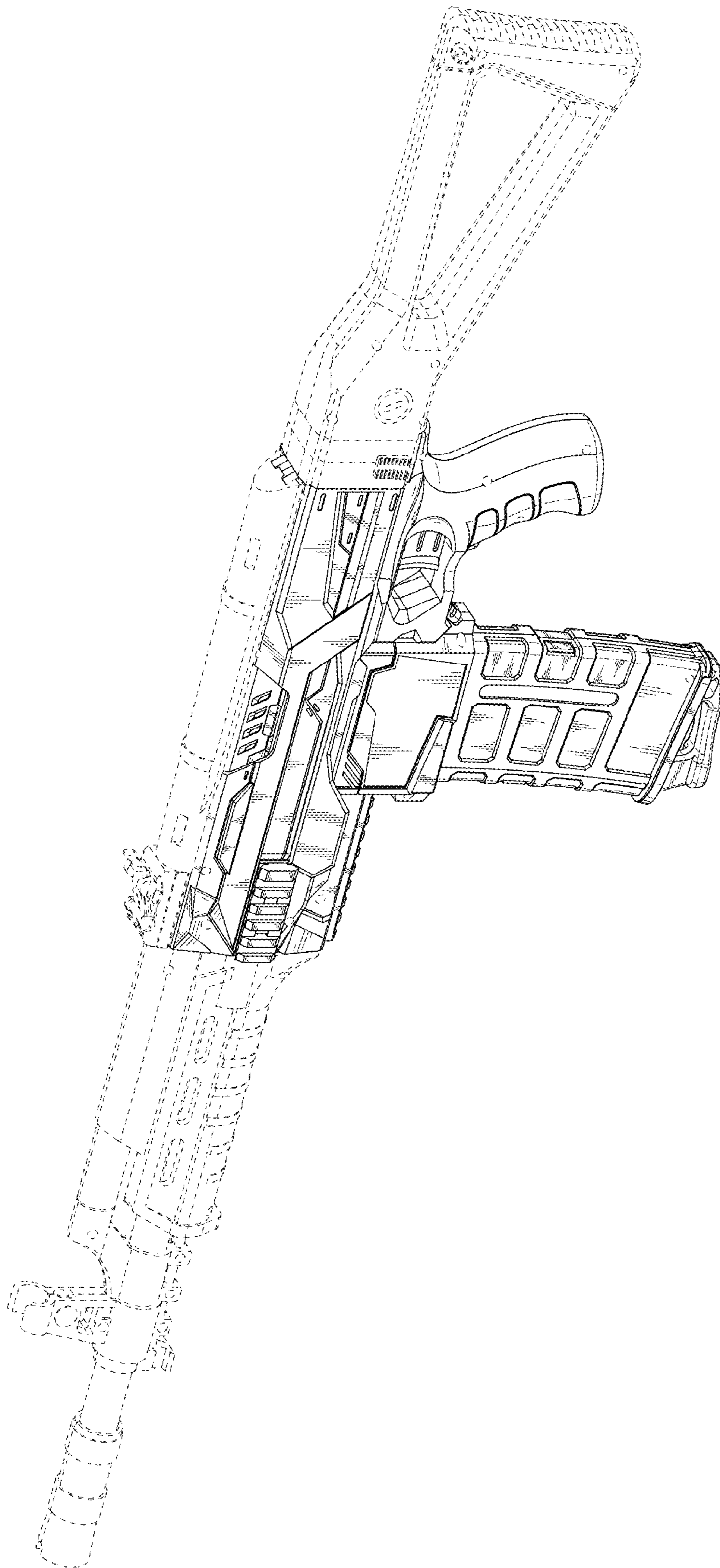


FIG. 15