

US00D967904S

(12) **United States Design Patent** (10) **Patent No.:** **US D967,904 S**
Muenzer (45) **Date of Patent:** **** Oct. 25, 2022**

(54) **CONSTRUCTION TOY PIECE**

(71) Applicant: **RAVENSBURGER AG**, Ravensburg (DE)

(72) Inventor: **Ralph Muenzer**, Friedrichshafen (DE)

(73) Assignee: **Ravensburger AG**

(**) Term: **15 Years**

(21) Appl. No.: **29/751,374**

(22) Filed: **Sep. 21, 2020**

(30) **Foreign Application Priority Data**

Mar. 25, 2020 (EM) 007770615-0008

(51) **LOC (13) Cl.** **21-01**

(52) **U.S. Cl.**
USPC **D21/489**

(58) **Field of Classification Search**

USPC D21/484–505, 562

CPC A63H 33/04; A63H 33/044; A63H 33/06;

A63H 33/065; A63H 33/08; A63H

33/082; A63H 33/084; A63H 33/062;

A63H 33/10; A63H 33/101; A63H

33/105; A63H 33/108; A63H 33/12

See application file for complete search history.

(56) **References Cited**

U.S. PATENT DOCUMENTS

D35,116 S * 9/1901 Kingsbury D21/562

1,890,269 A * 12/1932 Swanson A63H 33/06

446/102

D236,221 S * 8/1975 McAllister et al. D21/491
D284,611 S * 7/1986 Cotney D21/485
D379,523 S * 5/1997 Azar D21/491
D381,051 S * 7/1997 Zheng D21/502
D383,805 S * 9/1997 Zheng D21/491
D388,841 S * 1/1998 Zheng D21/491
D500,346 S * 12/2004 Glover D21/760
D588,651 S * 3/2009 Sinisi D21/501
D598,505 S * 8/2009 Sinisi D21/501
D641,804 S * 7/2011 Kichijo D21/485
D725,717 S * 3/2015 Kichijo D21/489
D726,260 S * 4/2015 Kichijo D21/489
9,833,085 B2 * 12/2017 Adair A63H 33/108

* cited by examiner

Primary Examiner — Cynthia M. Chin

(74) *Attorney, Agent, or Firm* — Lewis Rice LLC

(57) **CLAIM**

The ornamental design for a construction toy piece, as shown and described.

DESCRIPTION

FIG. 1 is a top front right isometric view of the construction toy piece.

FIG. 2 is a front elevation view of the construction toy piece.

FIG. 3 is a back elevation view of the construction toy piece.

FIG. 4 is a right elevation view of the construction toy piece.

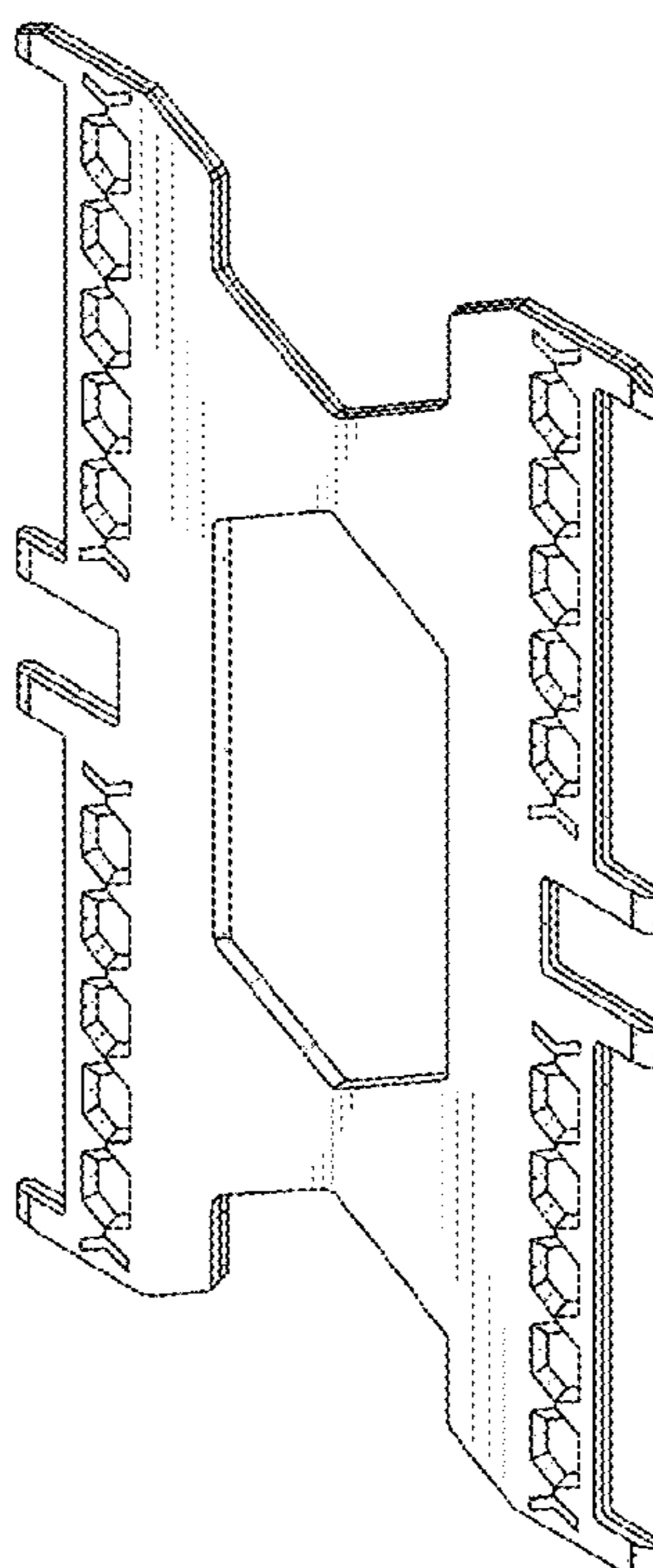
FIG. 5 is a left elevation view of the construction toy piece.

FIG. 6 is a top elevation view of the construction toy piece;

and,

FIG. 7 is a bottom elevation view of the construction toy piece.

1 Claim, 5 Drawing Sheets



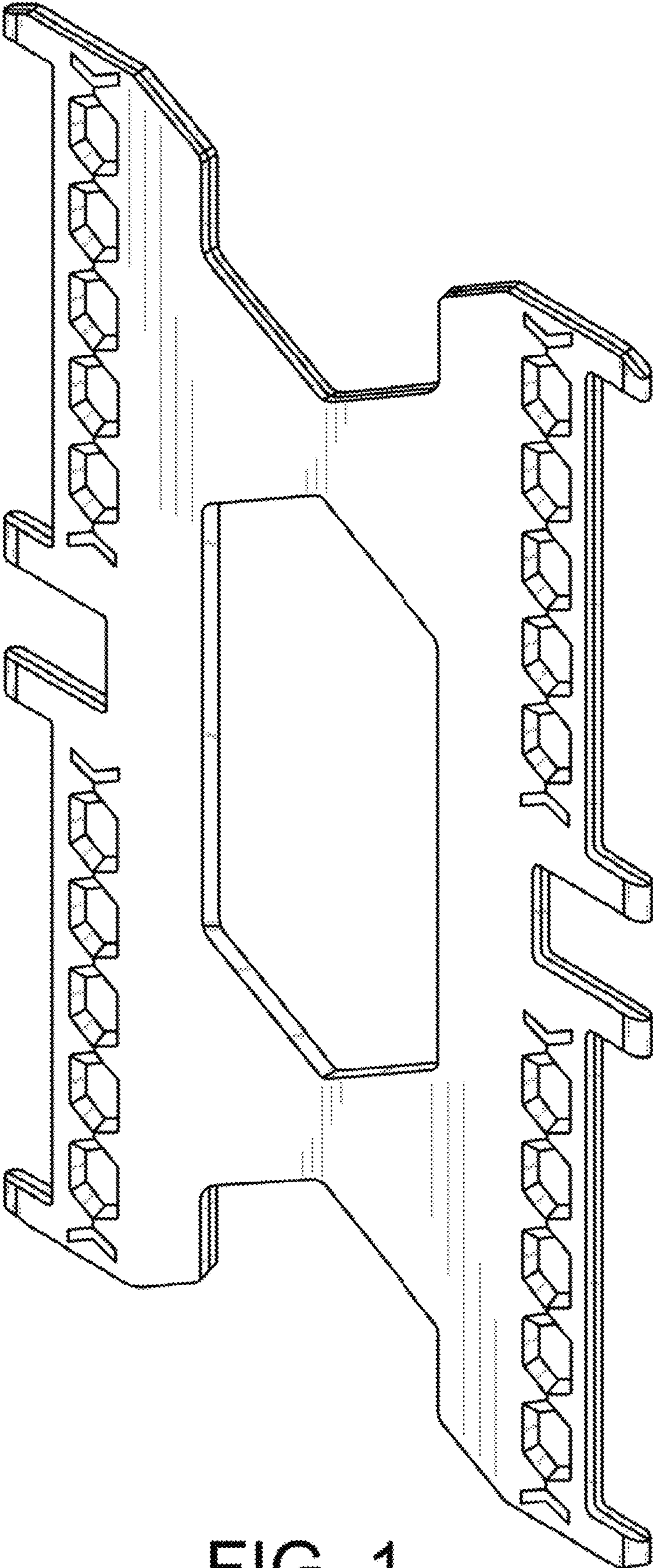


FIG. 1

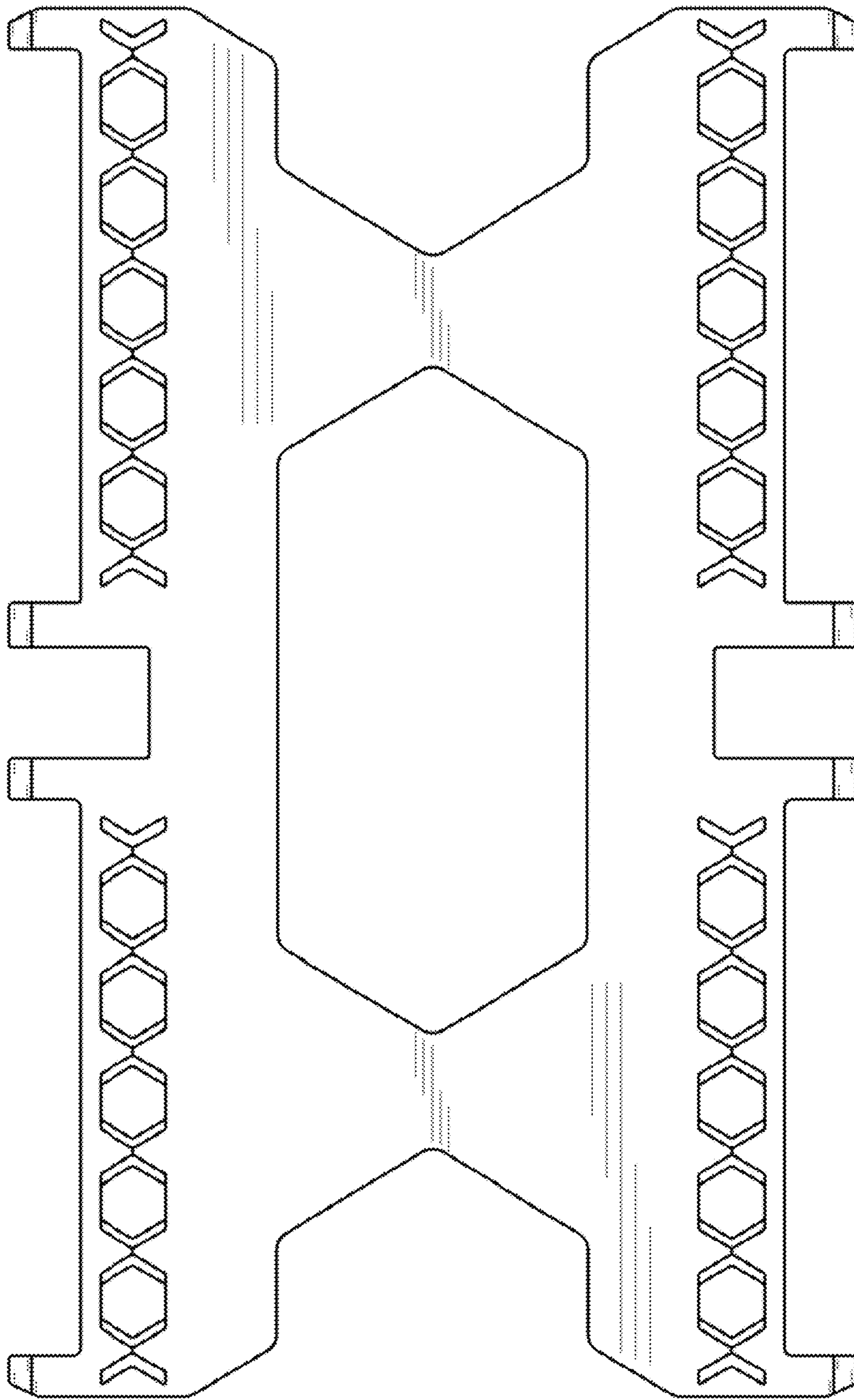


FIG. 2

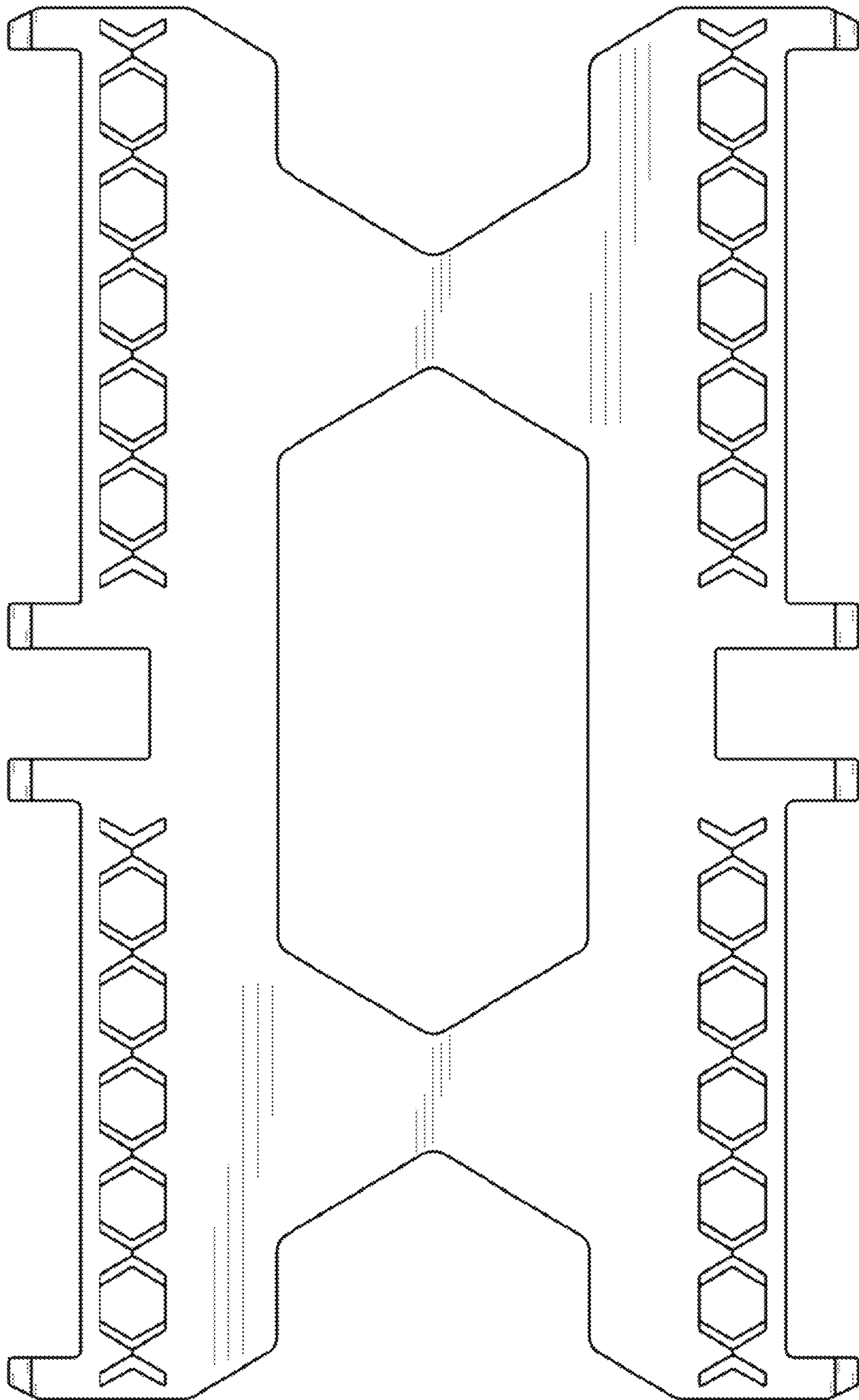


FIG. 3



FIG. 4



FIG. 5



FIG. 6



FIG. 7