

US00D967903S

(12) **United States Design Patent**
Yang

(10) **Patent No.:** **US D967,903 S**

(45) **Date of Patent:** **** Oct. 25, 2022**

(54) **FLYING DISC**

D736,323 S * 8/2015 Wai Shing D21/419
D824,587 S * 7/2018 Dutton D28/7
D846,669 S 4/2019 Adkins et al.

(71) Applicant: **Saisai Yang**, Taizhou (CN)

(72) Inventor: **Saisai Yang**, Taizhou (CN)

(**) Term: **15 Years**

(21) Appl. No.: **29/835,383**

(22) Filed: **Apr. 19, 2022**

(51) **LOC (13) Cl.** **21-01**

(52) **U.S. Cl.**
USPC **D21/419**

(58) **Field of Classification Search**
USPC D12/1, 2, 3, 4, 16.1, 174, 319–345;
D21/436–455
CPC B64C 29/0033; B64C 2201/021; B64C
29/02; B64C 2201/088; B64C 2201/104;
B64C 2201/141

See application file for complete search history.

(56) **References Cited**

U.S. PATENT DOCUMENTS

- D233,899 S * 12/1974 Burkart D21/419
- 3,873,087 A * 3/1975 Burkart A63G 1/12
472/19
- D286,657 S * 11/1986 Fields D21/443
- D330,403 S * 10/1992 Lambert D21/830
- D452,715 S * 1/2002 Jang D21/419
- 6,808,457 B1 * 10/2004 Paukert A63G 3/00
297/180.15
- D526,029 S * 8/2006 Ragonetti A01K 15/025
D21/455
- D564,042 S * 3/2008 Roy D21/443
- D725,713 S * 3/2015 Thompson D21/443

OTHER PUBLICATIONS

LeapFrog Letter-Go-Round Spin and Learn Toy [Aug. 22, 2022] found online [Aug. 22, 2022]—https://www.walmart.com/ip/LeapFrog-Letter-Go-Round-Spin-and-Learn-Toy/361903939?wmlspartner=wlp&selectedSellerId=0&w113=2258&adid=2222222277361903939_117755028669_12420145346&wmlspartner=wmlt&w0=&w1=g&w2=c&w3=50110774582.*

* cited by examiner

Primary Examiner — John A Voytek

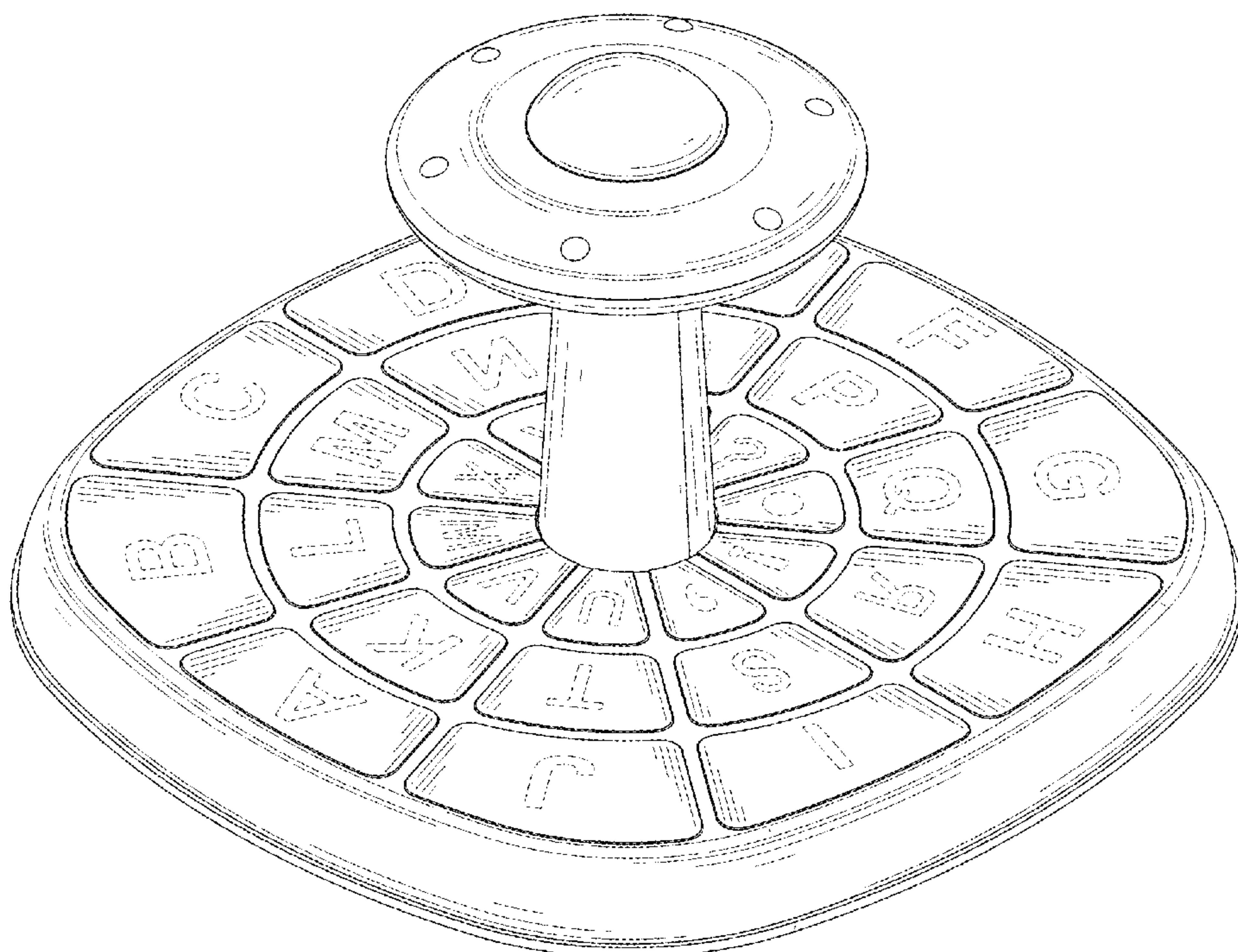
(57) **CLAIM**

The ornamental design for a flying disc, as shown and described.

DESCRIPTION

FIG. 1 is a front and top perspective view of a flying disc, showing my new design;
FIG. 2 is a rear and bottom perspective view thereof;
FIG. 3 is a front elevation view thereof;
FIG. 4 is a rear elevation view thereof;
FIG. 5 is a left side elevation view thereof;
FIG. 6 is a right side elevation view thereof;
FIG. 7 is a top plan view thereof; and,
FIG. 8 is a bottom plan view thereof.
The broken lines in the figures illustrate portions of the flying disc that form no part of the claimed design.

1 Claim, 8 Drawing Sheets



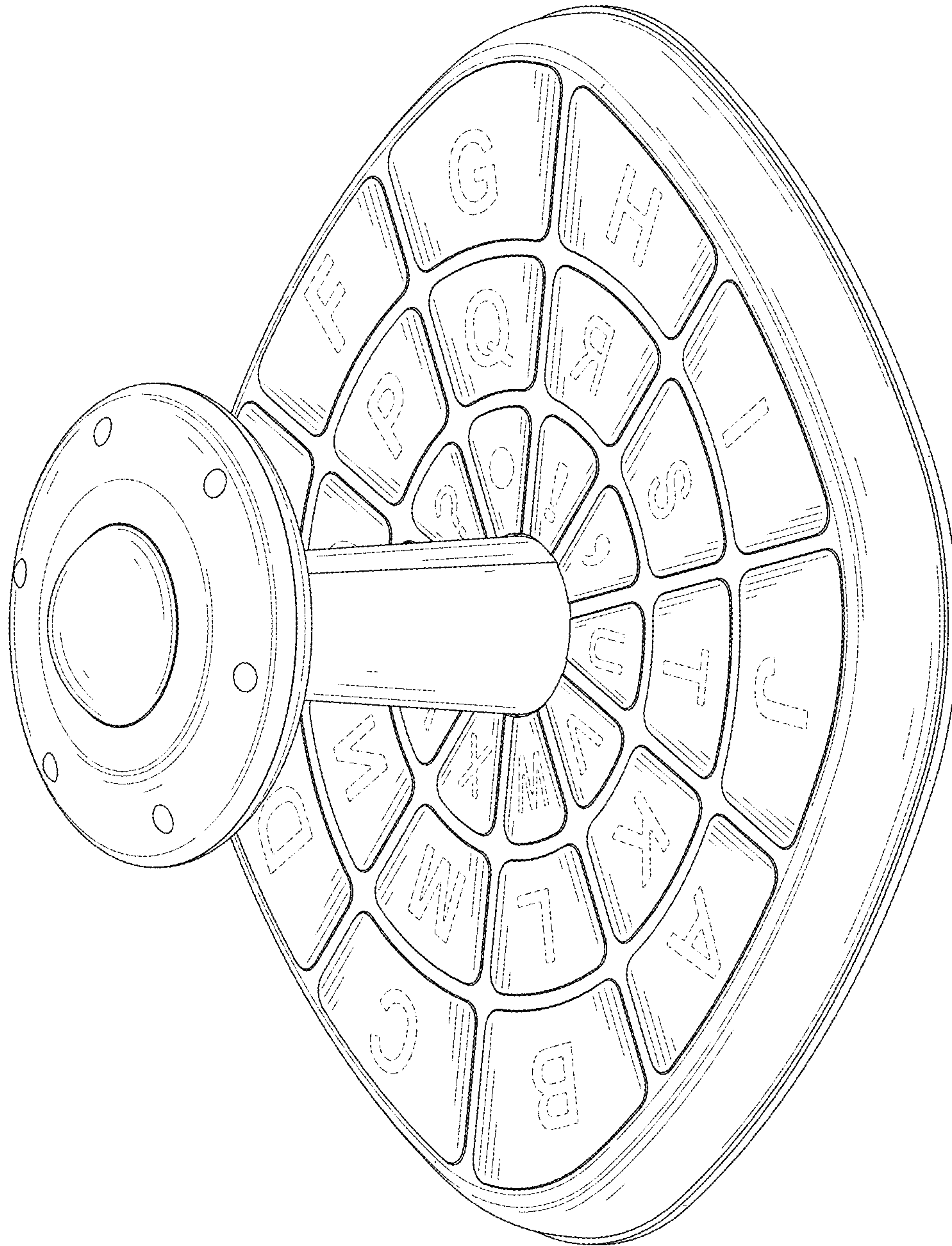


FIG. 1

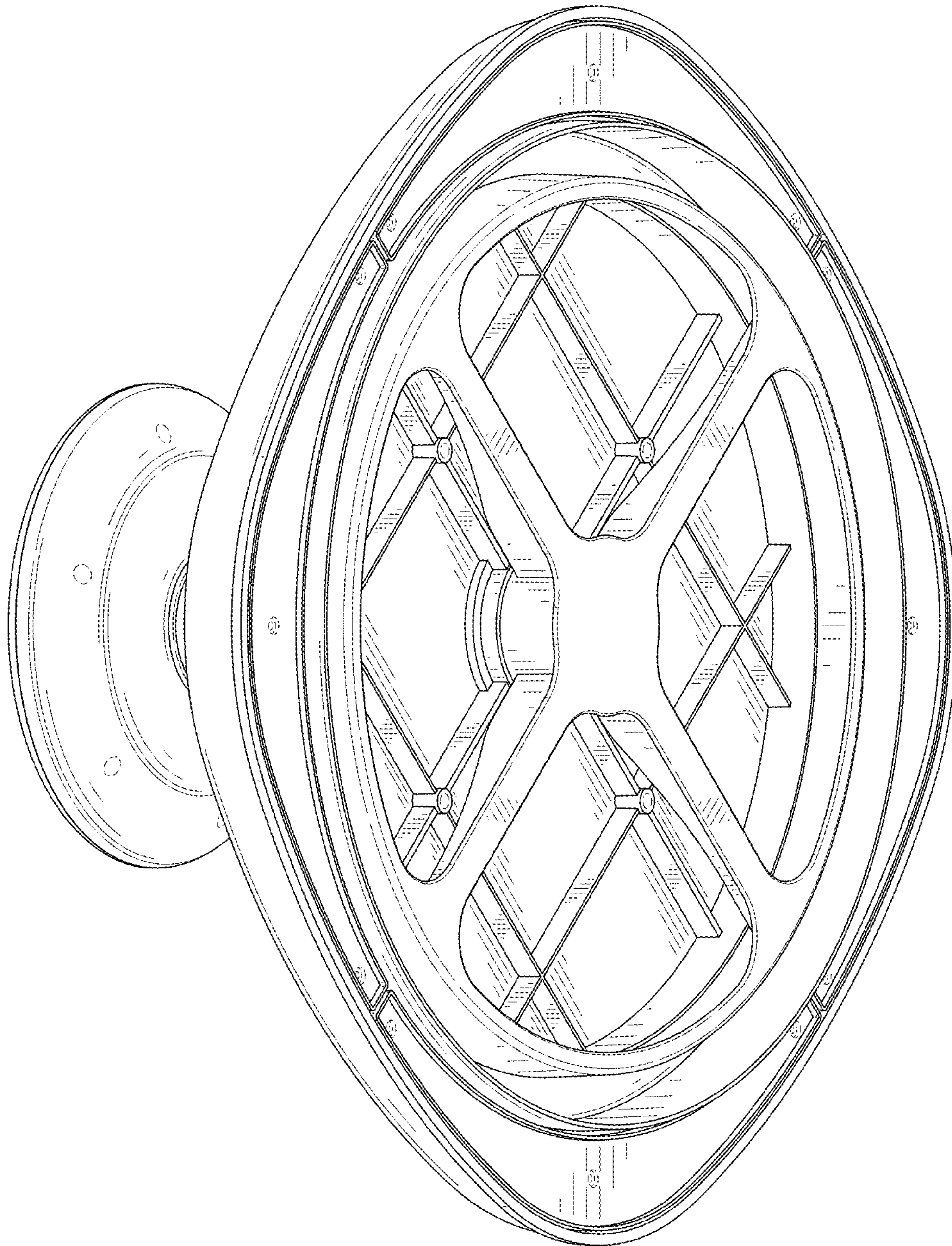


FIG. 2

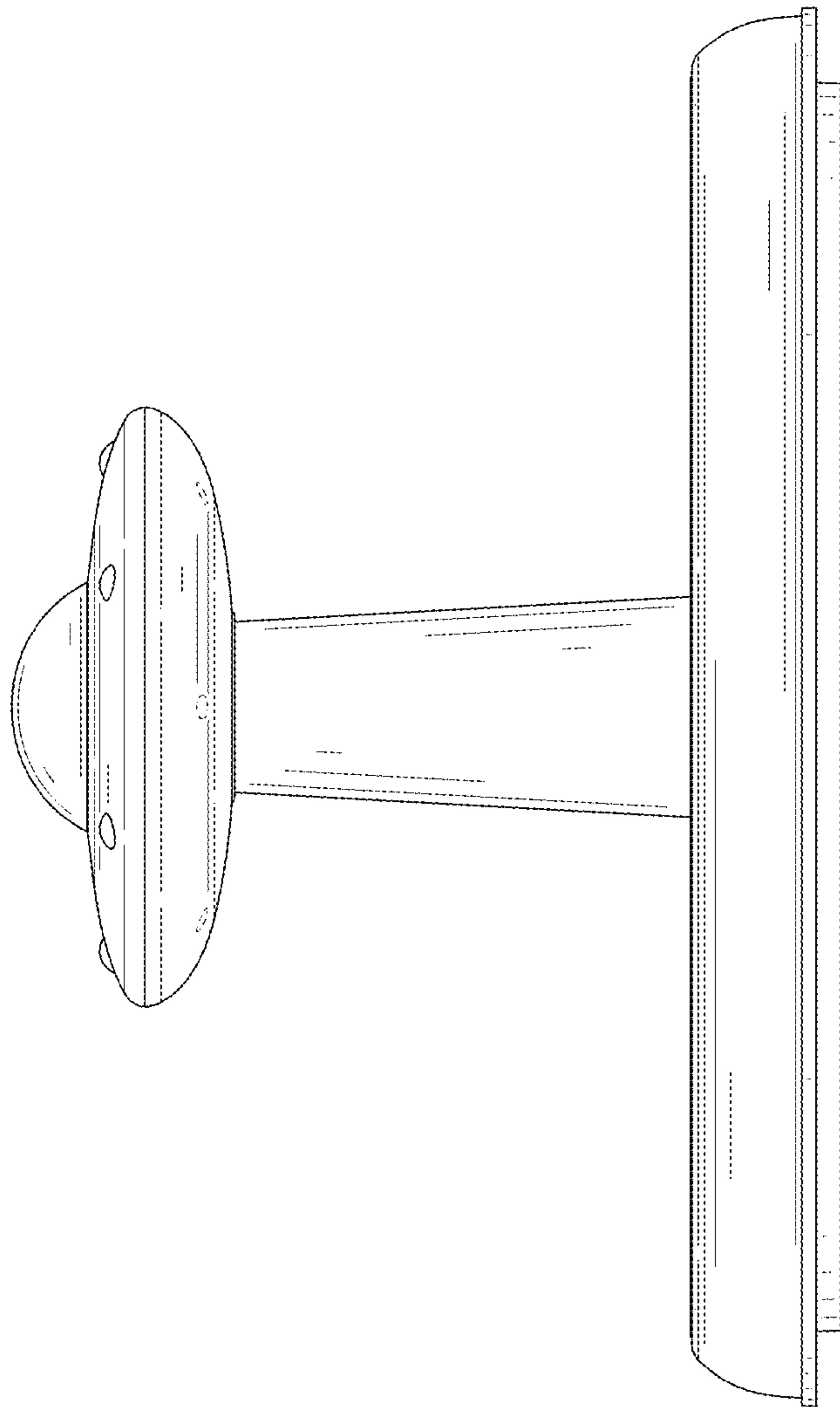


FIG. 3

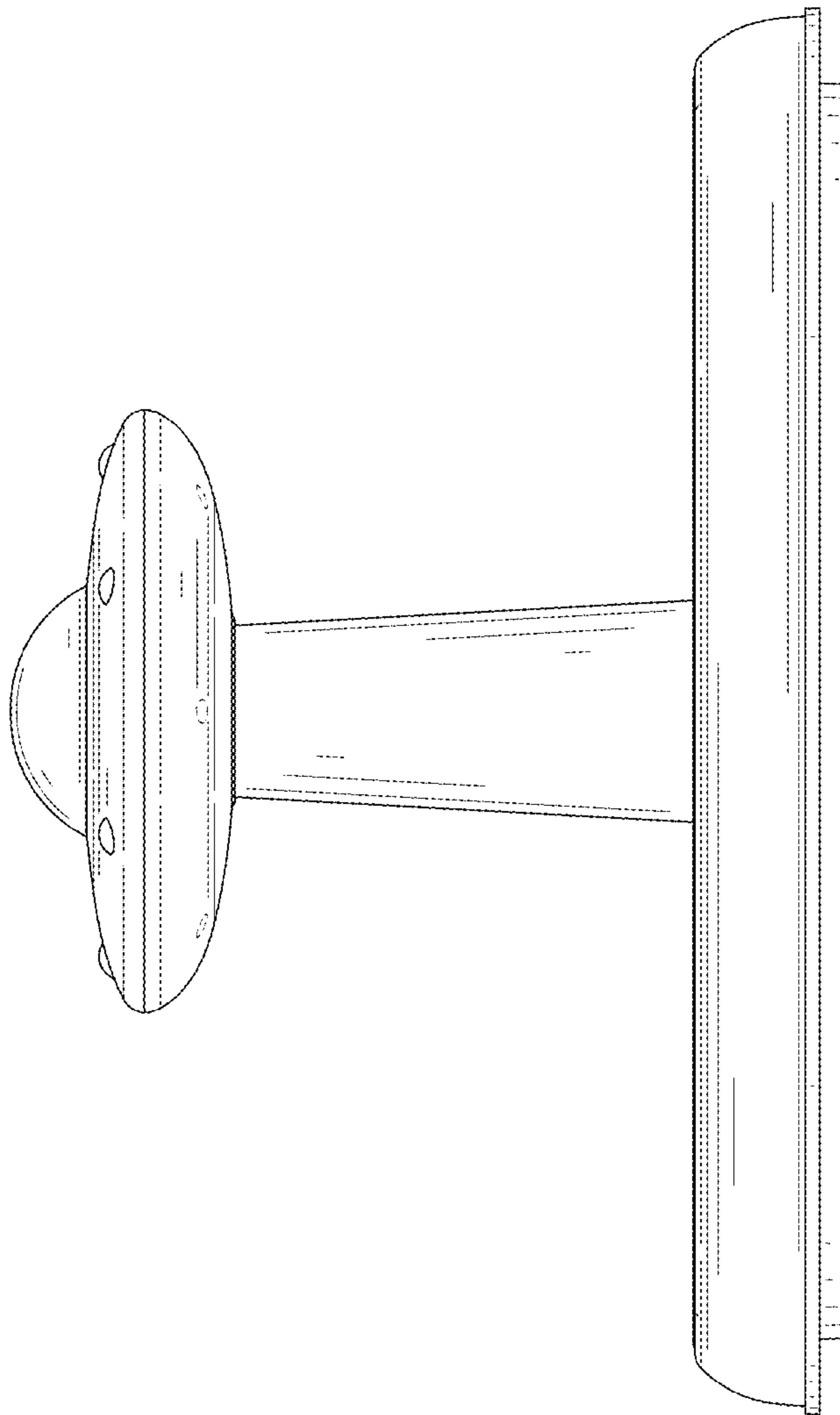


FIG. 4

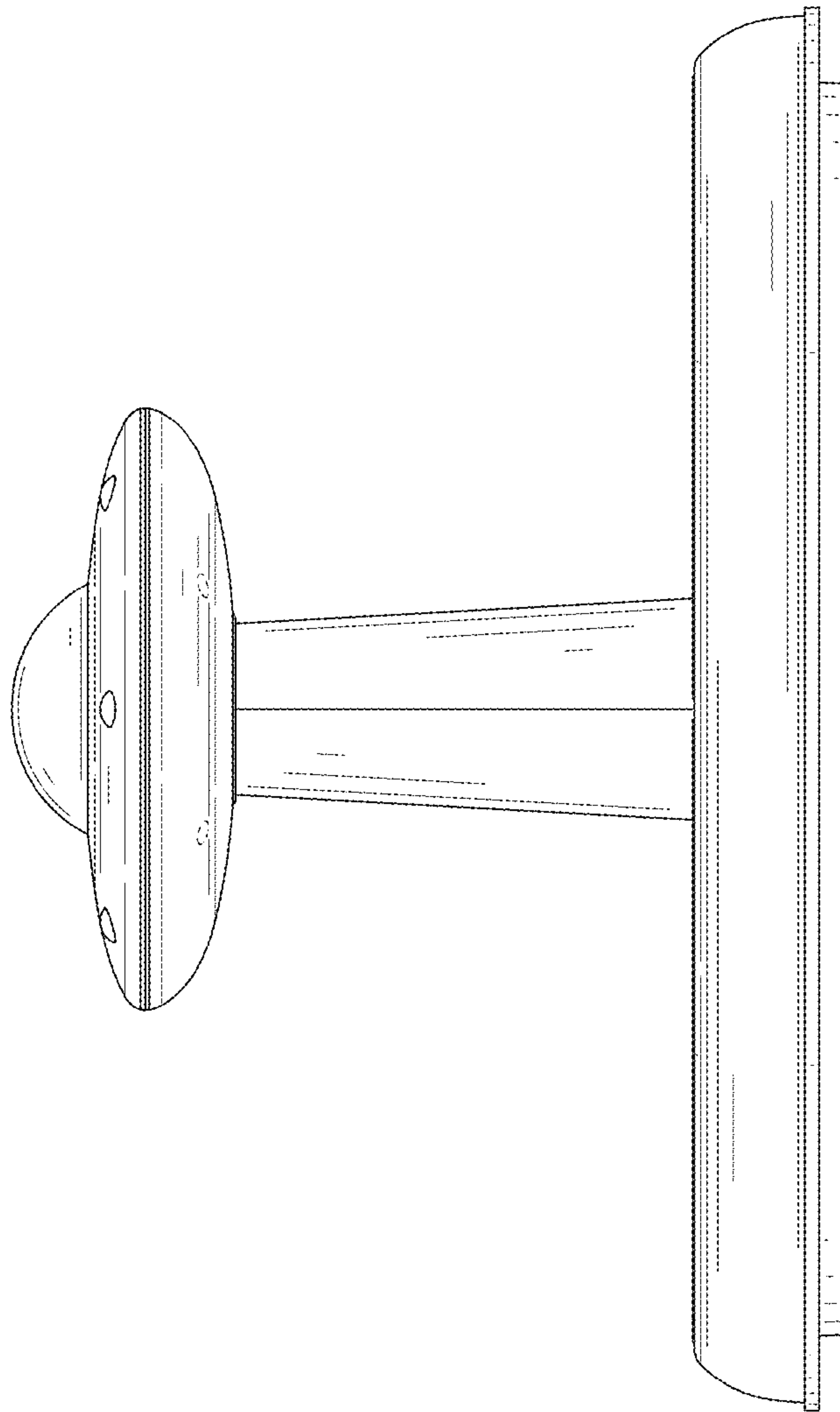


FIG. 5

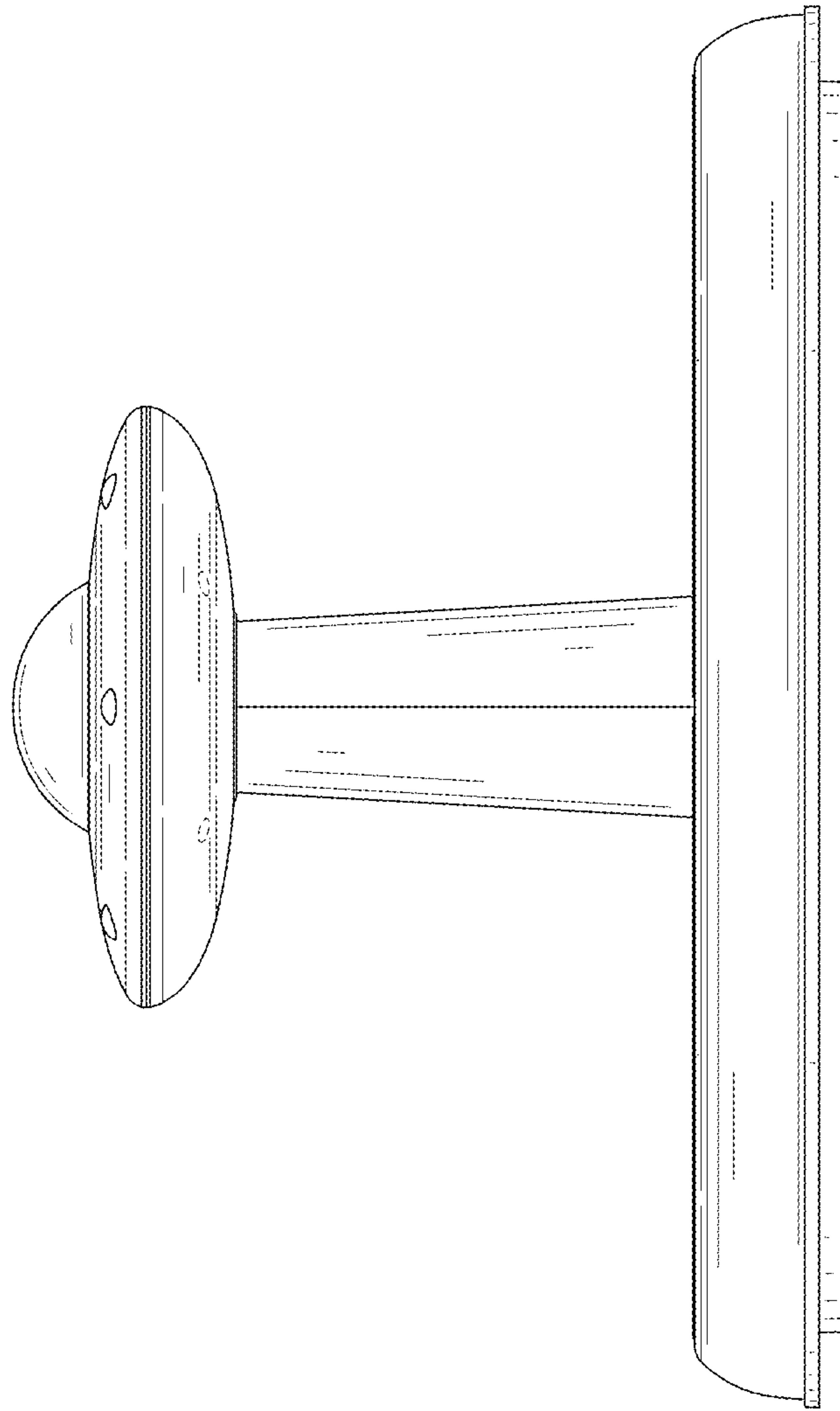


FIG. 6

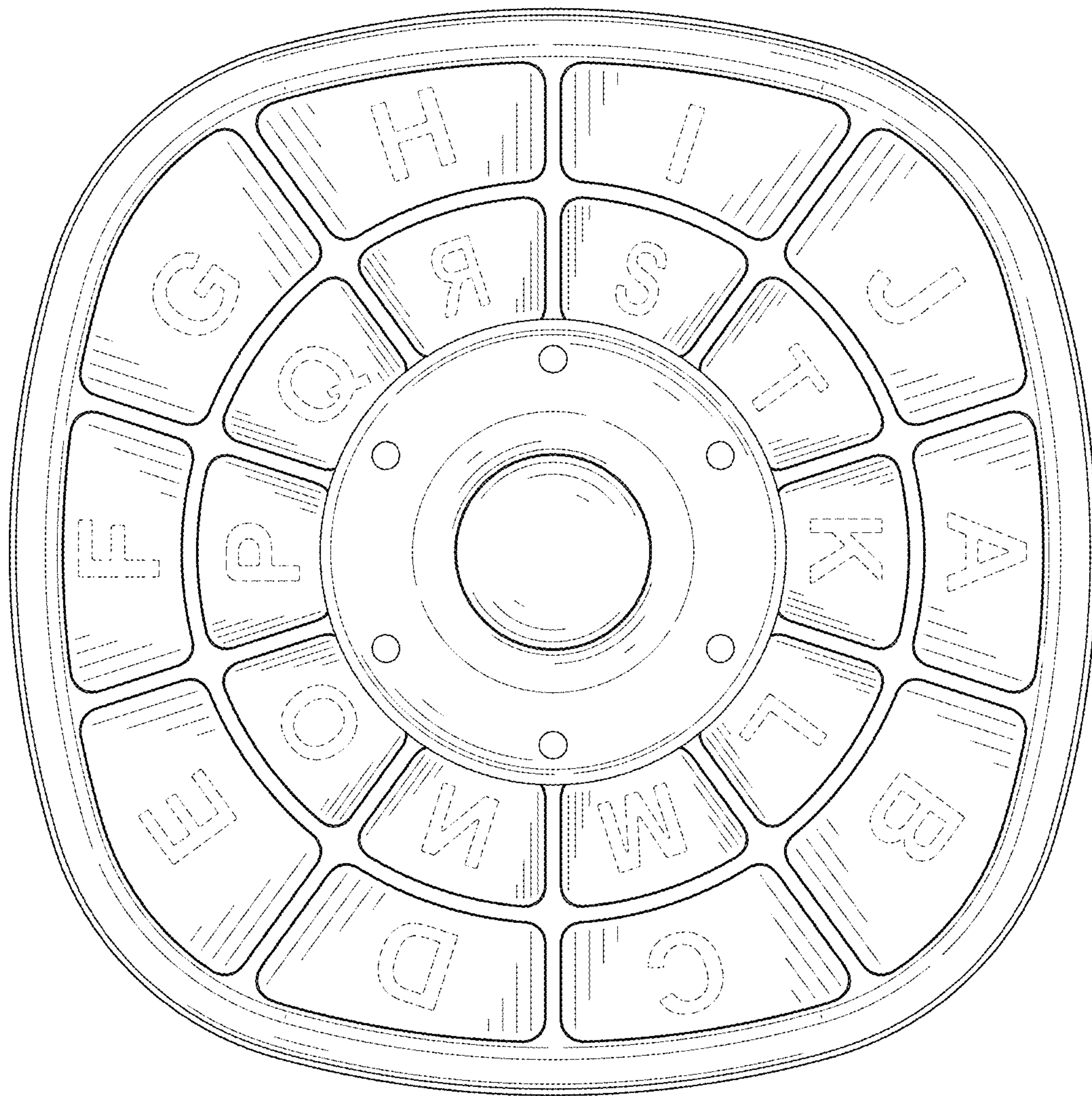


FIG. 7

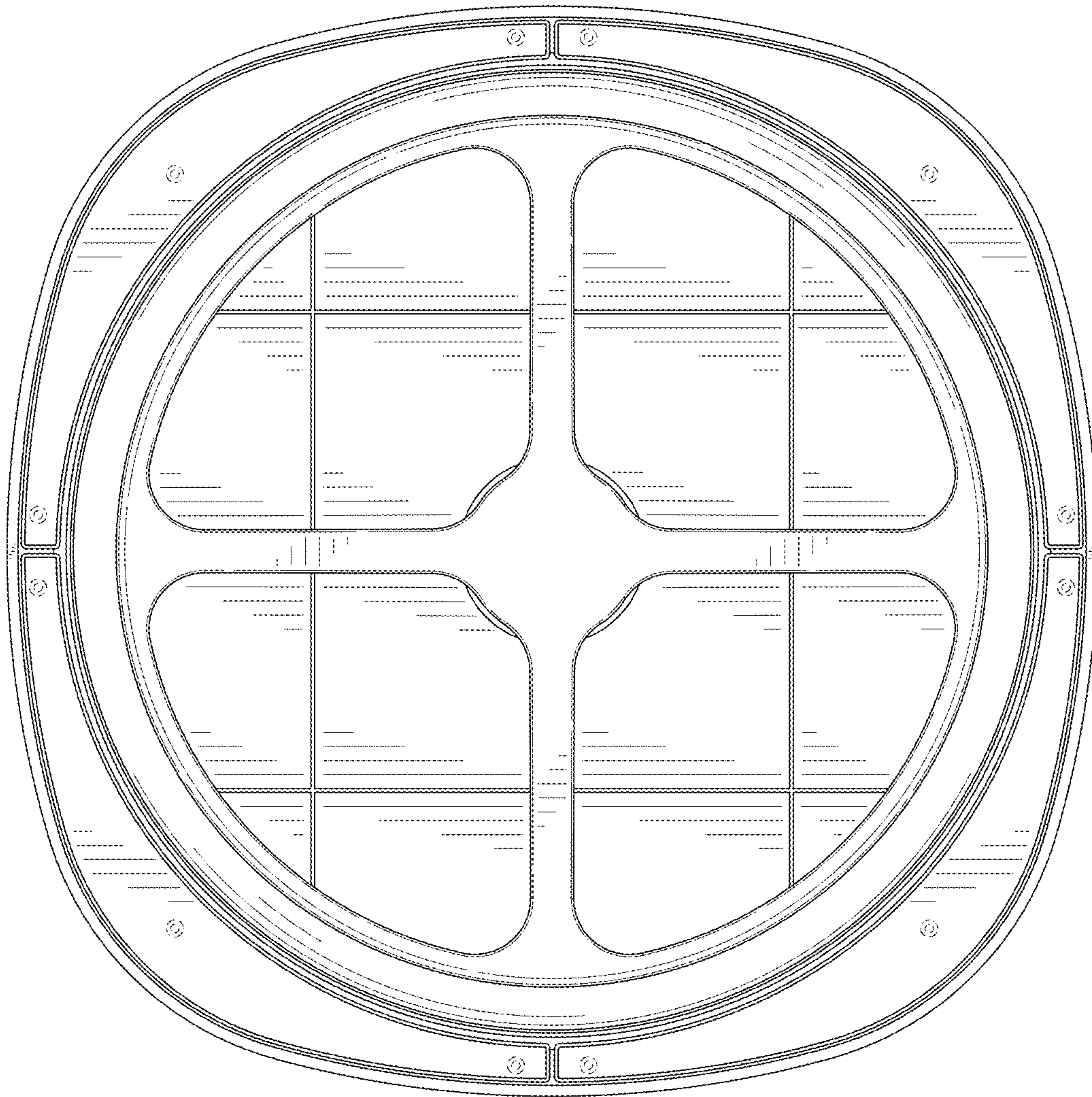


FIG. 8