



US00D967900S

(12) **United States Design Patent**  
**Wang**

(10) **Patent No.:** **US D967,900 S**  
(45) **Date of Patent:** **\*\* Oct. 25, 2022**

- (54) **GAMEPAD**
- (71) Applicant: **Sen Wang**, Shenzhen (CN)
- (72) Inventor: **Sen Wang**, Shenzhen (CN)
- (\*\*) Term: **15 Years**
- (21) Appl. No.: **29/804,444**
- (22) Filed: **Aug. 20, 2021**
- (51) **LOC (13) Cl.** ..... **21-01**
- (52) **U.S. Cl.**  
USPC ..... **D21/333**
- (58) **Field of Classification Search**  
USPC ..... D21/324, 332-337, 566, 572-574, 328;  
D14/217, 218, 356, 387, 388, 389, 400,  
D14/401, 415, 418, 426-431, 443, 447,  
D14/449, 450, 454, 455, 471, 474, 483,  
D14/496, 511; D13/164, 168  
CPC .. A63F 9/02; A63F 9/24; A63F 9/0291; A63F  
9/0252; A63F 13/00; A63F 13/23; A63F  
13/24; A63F 13/26; A63F 13/98; A63F  
13/02; A63F 13/12; A63F 9/00; A63F  
2300/00; A63F 2300/1031  
See application file for complete search history.

D889,549 S *	7/2020	Ironmonger	.....	D14/401
D890,263 S *	7/2020	Tong	.....	D21/333
D898,124 S *	10/2020	Tong	.....	D14/401
D909,487 S *	2/2021	Whitaker	.....	D21/333
D923,100 S *	6/2021	Zhou	.....	D21/333
D928,234 S *	8/2021	Hsu	.....	D21/333
D935,460 S *	11/2021	Zhu	.....	D14/401
D936,146 S *	11/2021	Hsu	.....	D21/333
D940,244 S *	1/2022	Zhou	.....	D21/333
D947,947 S *	4/2022	Luo	.....	D21/333
D954,838 S *	6/2022	Kobayashi	.....	D21/333
D956,873 S *	7/2022	Guo	.....	D21/333
D958,253 S *	7/2022	Wang	.....	D21/333
D958,254 S *	7/2022	Liu	.....	D21/333
D958,891 S *	7/2022	Kobayashi	.....	D21/333

(Continued)

Primary Examiner — Mehri F Bajoul

(57) **CLAIM**

The ornamental design for a gamepad, as shown and described.

**DESCRIPTION**

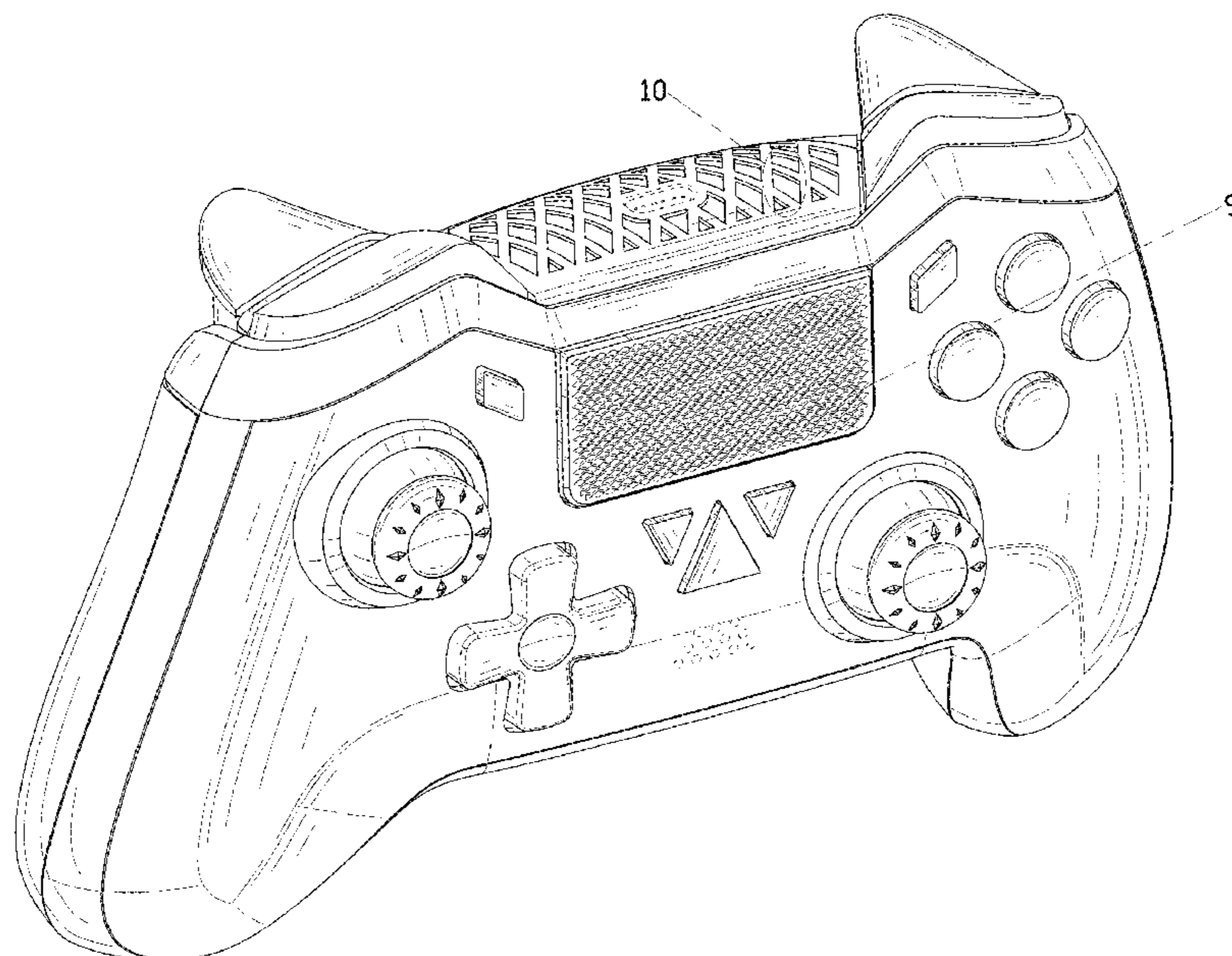
FIG. 1 is a perspective view of a gamepad showing my new design;  
 FIG. 2 is another perspective view thereof;  
 FIG. 3 is a front elevational view thereof;  
 FIG. 4 is a rear elevational view thereof;  
 FIG. 5 is a left side elevational view thereof;  
 FIG. 6 is a right side elevational view thereof;  
 FIG. 7 is a top plan view thereof;  
 FIG. 8 is a bottom plan view thereof;  
 FIG. 9 is an enlarged view of portion 9 shown in FIG. 1; and,  
 FIG. 10 is an enlarged view of portion 10 shown in FIG. 1.  
 The dash-dash broken lines in the drawings depict portions of the gamepad that form no part of the claimed design. The dot-dash broken lines represent boundaries of the enlarged portion and form no part of the claimed design.

**1 Claim, 10 Drawing Sheets**

(56) **References Cited**

**U.S. PATENT DOCUMENTS**

6,231,444 B1 *	5/2001	Goto	.....	A63F 13/285 463/37
D715,296 S *	10/2014	Huang	.....	D14/401
D733,140 S *	6/2015	Sumii	.....	D14/401
D823,945 S *	7/2018	Falc	.....	D14/416
D853,384 S *	7/2019	Fulghum et al.	.....	
D865,766 S *	11/2019	Hu	.....	D14/401
D870,817 S *	12/2019	Yeung	.....	D21/333
D875,180 S *	2/2020	Wang	.....	
D881,281 S *	4/2020	Tong	.....	D21/333
D881,283 S *	4/2020	Ironmonger	.....	D14/401



(56)

**References Cited**

U.S. PATENT DOCUMENTS

2017/0151494	A1 *	6/2017	Ironmonger .....	H01H 21/24
2019/0388779	A1 *	12/2019	Morita .....	A63F 13/214
2021/0060414	A1 *	3/2021	Goldman .....	A63F 13/218
2021/0060418	A1 *	3/2021	Kawashima .....	G06F 3/016
2021/0299552	A1 *	9/2021	Morita .....	H04R 1/08
2021/0299554	A1 *	9/2021	Kobayashi .....	G06F 3/016
2021/0379488	A1 *	12/2021	Falc .....	A63F 13/24
2022/0016520	A1 *	1/2022	Morita .....	H04R 3/005

\* cited by examiner

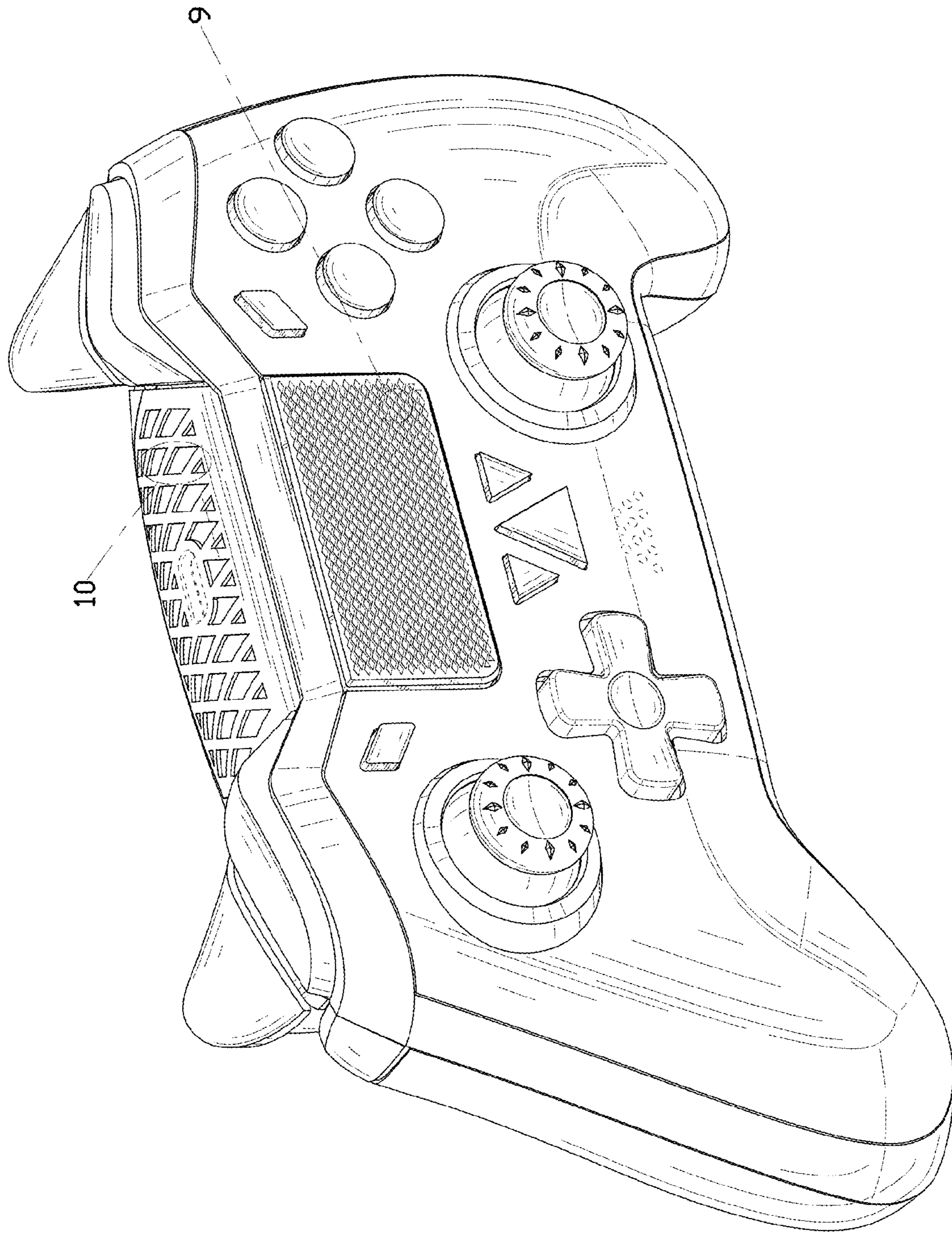


FIG. 1

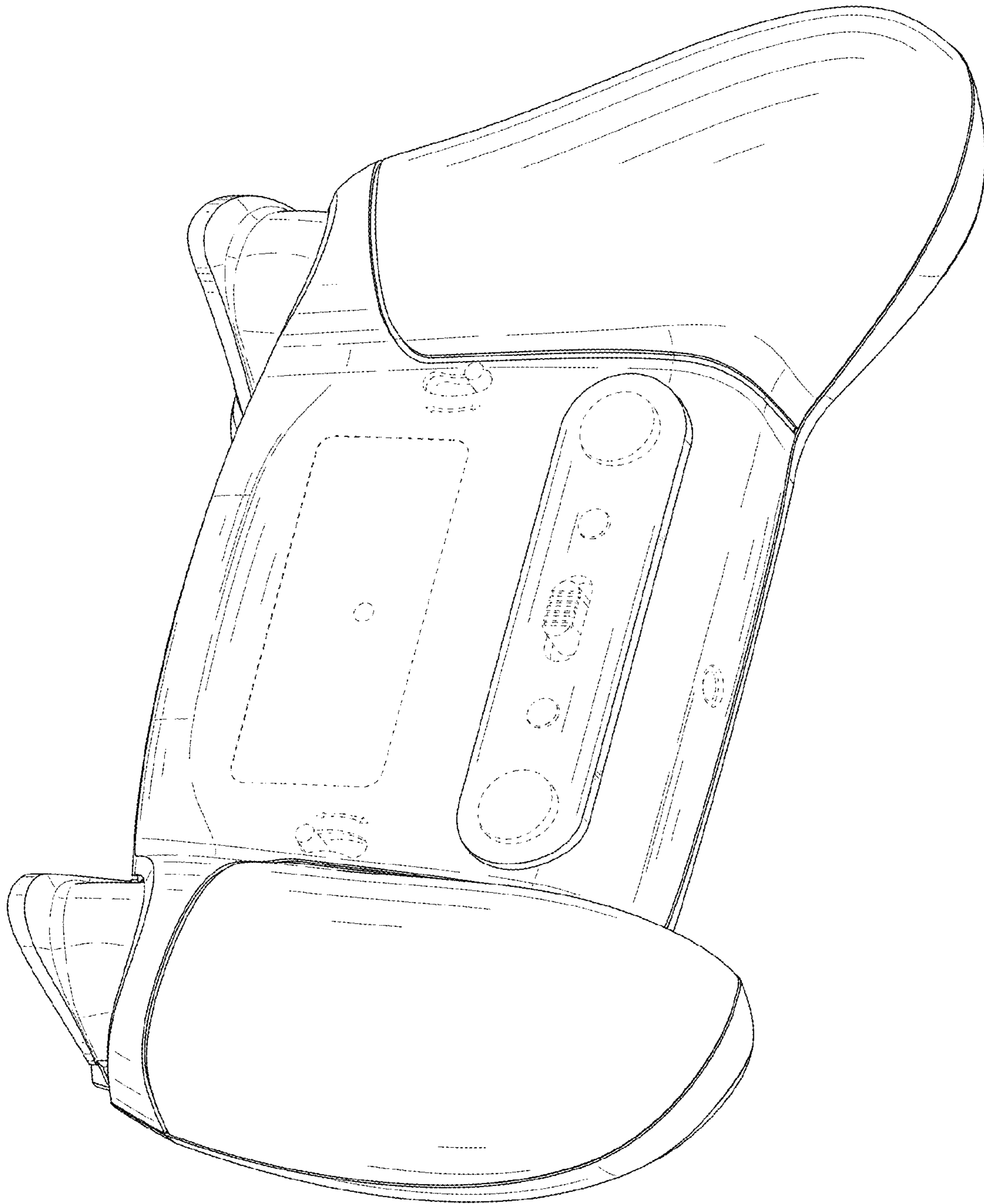


FIG. 2

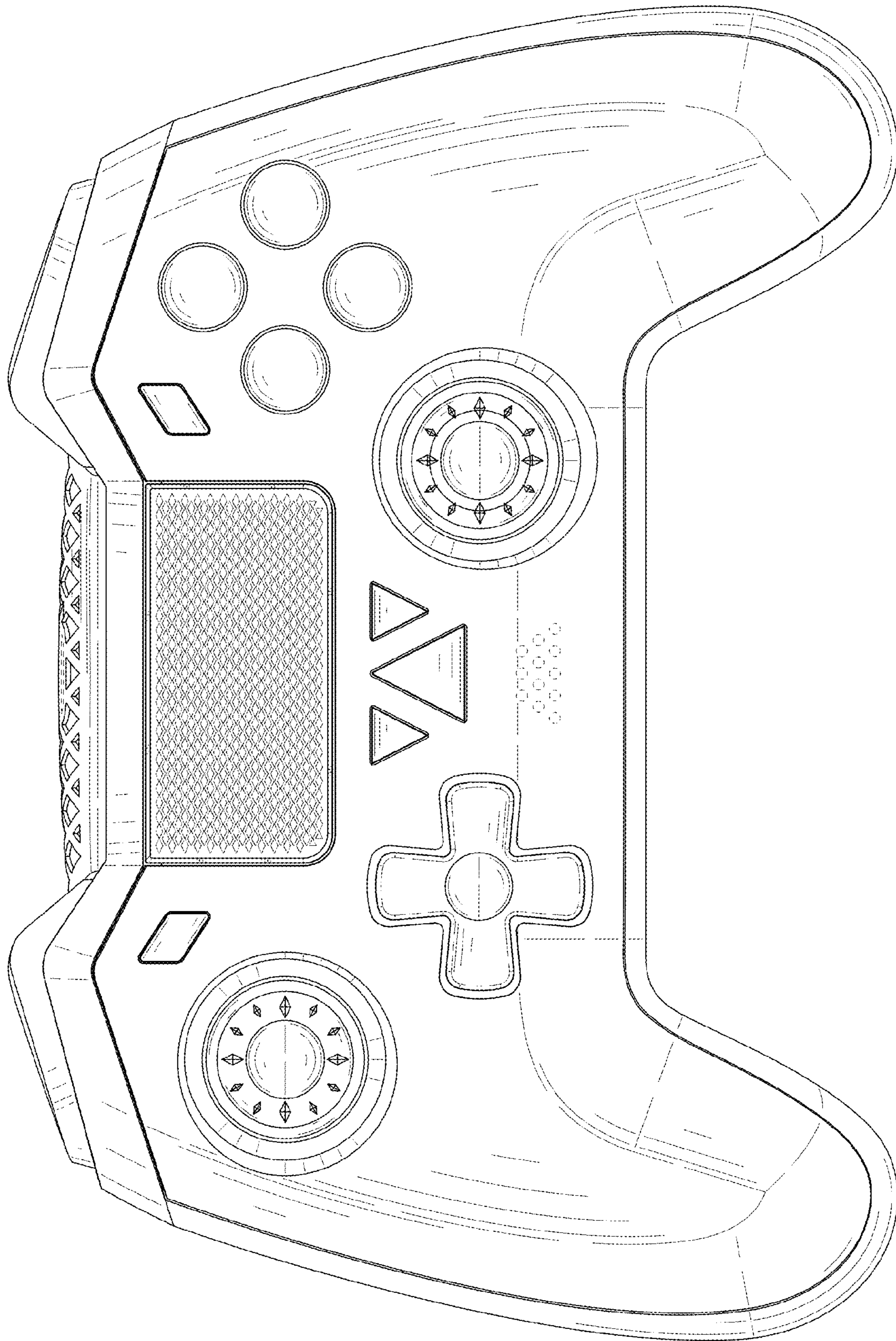


FIG. 3

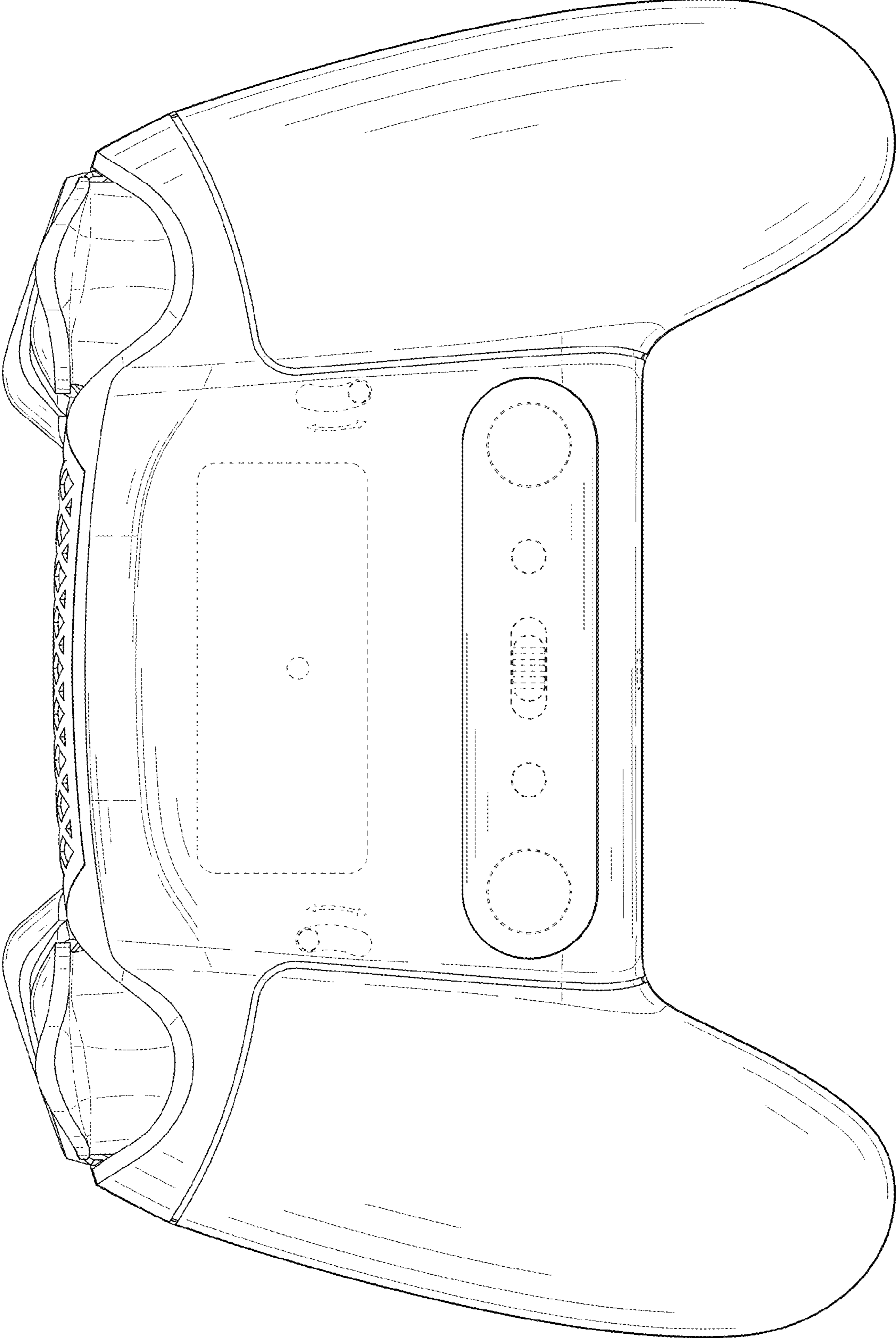


FIG. 4

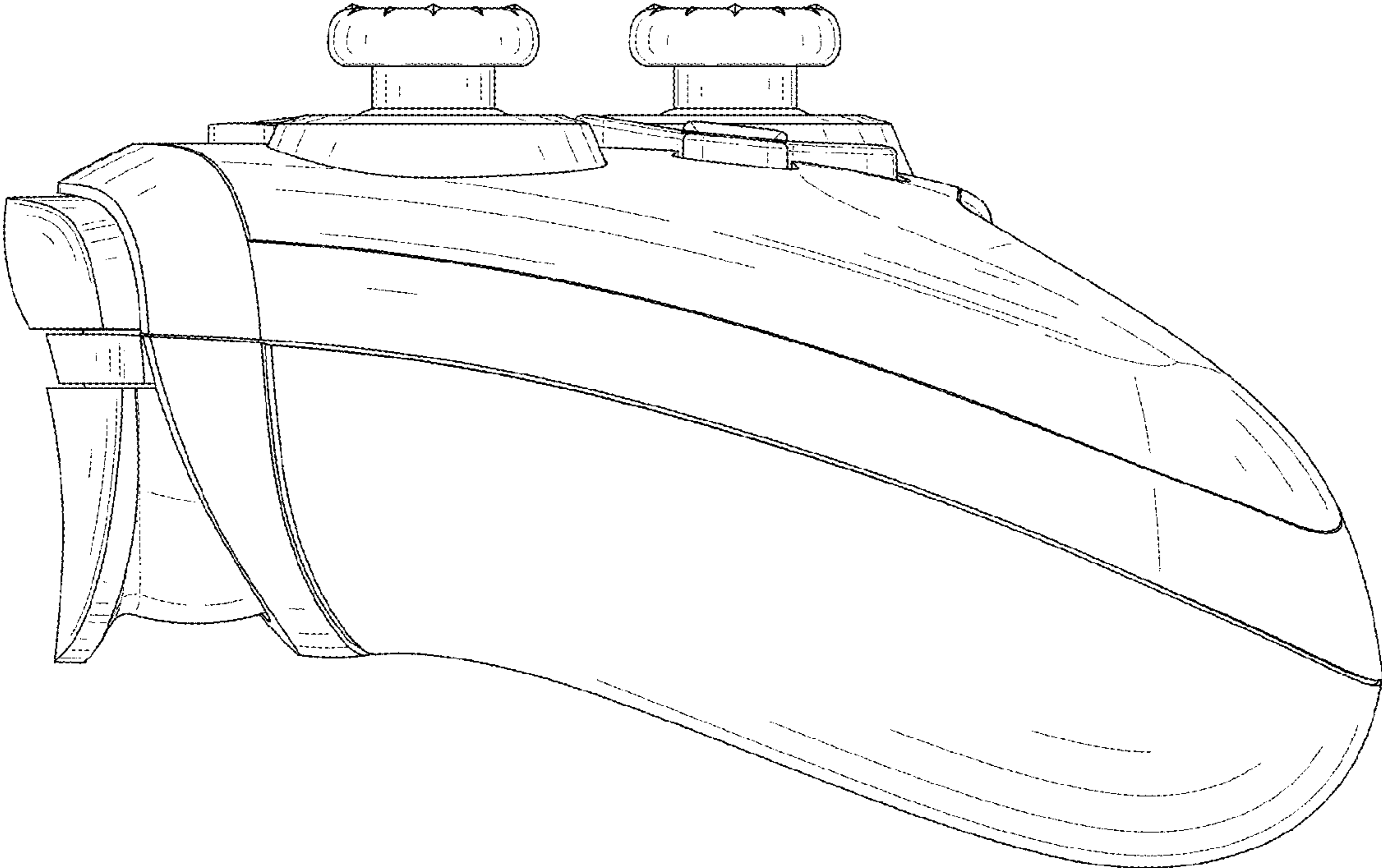


FIG. 5

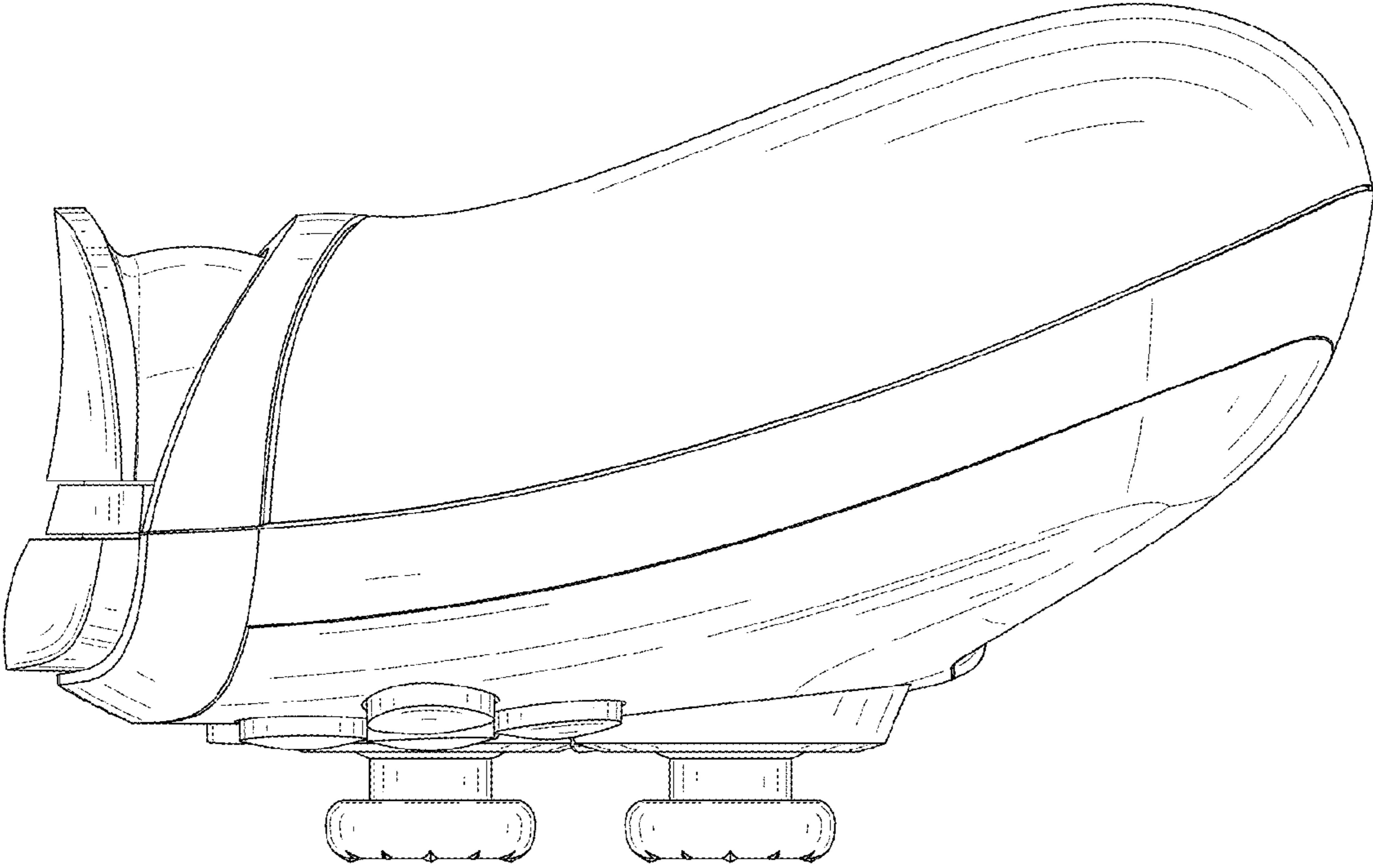


FIG. 6



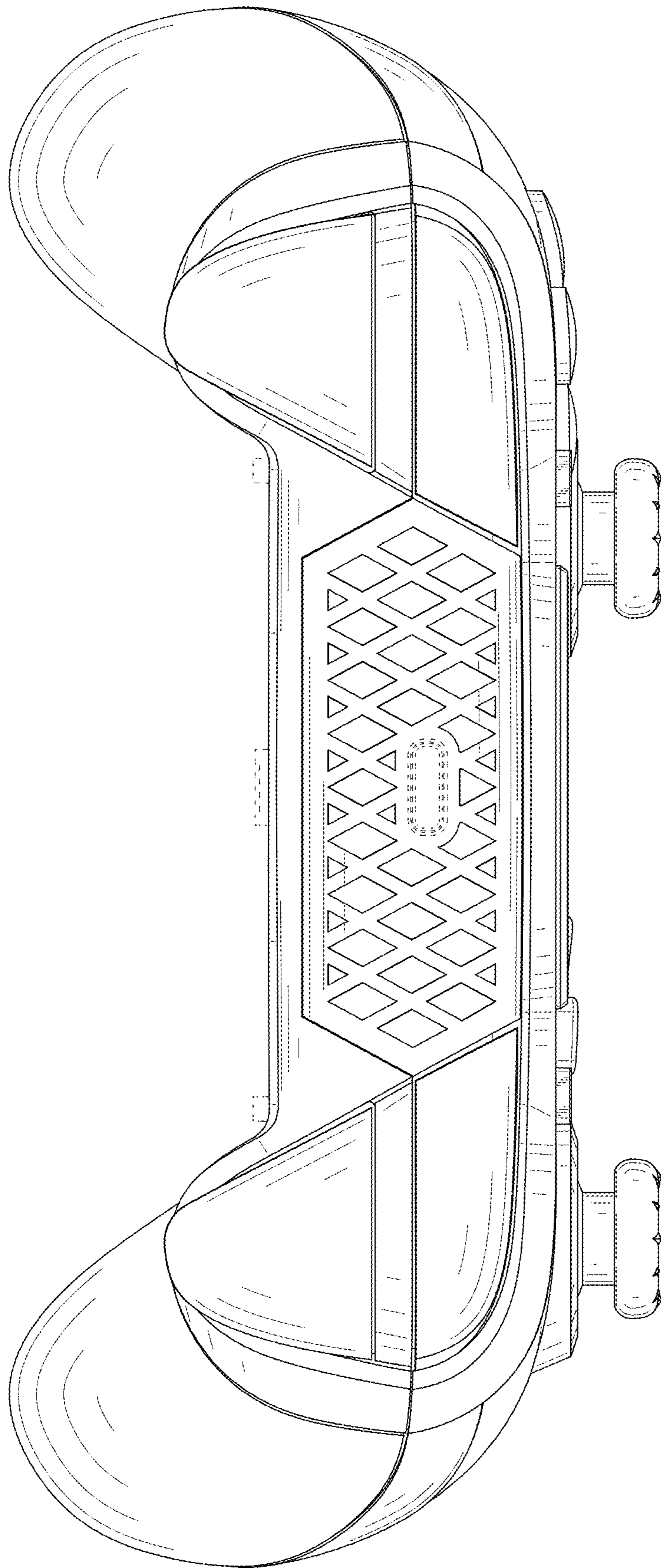


FIG. 7

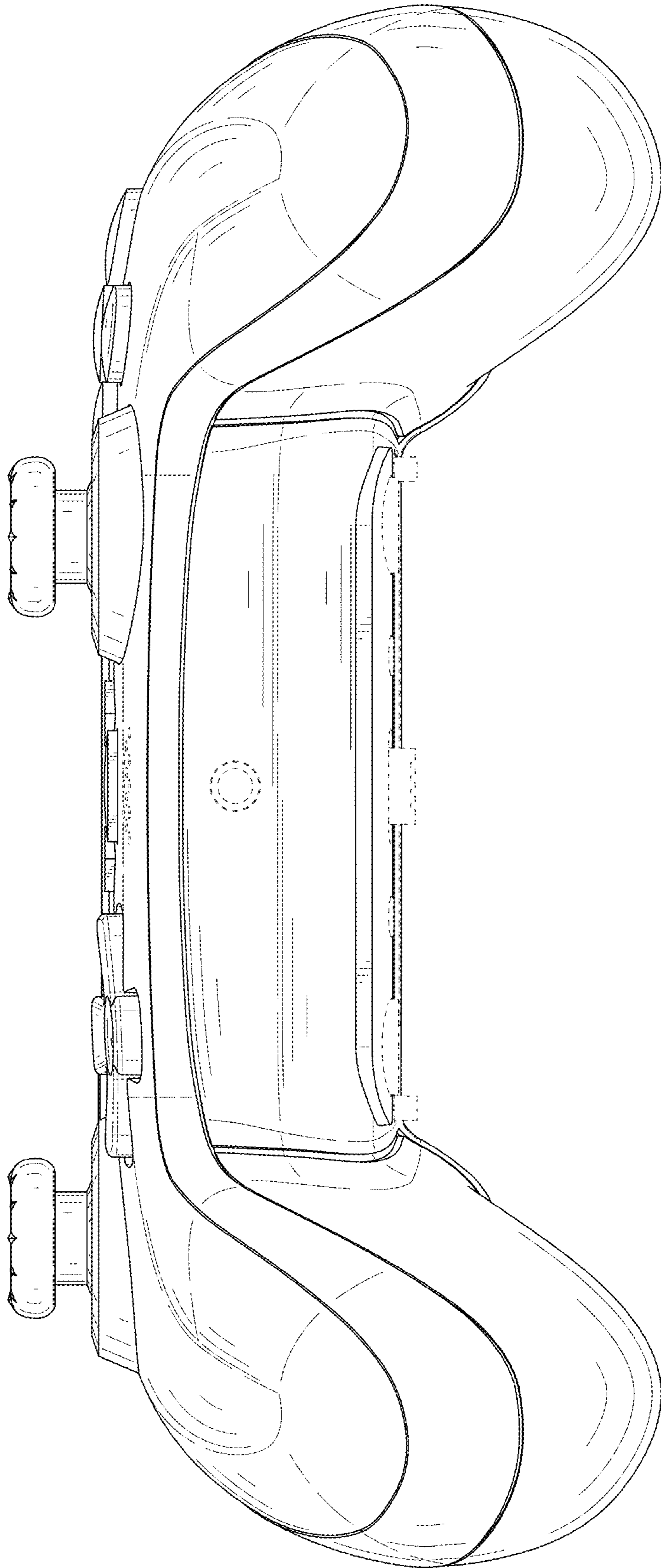


FIG. 8

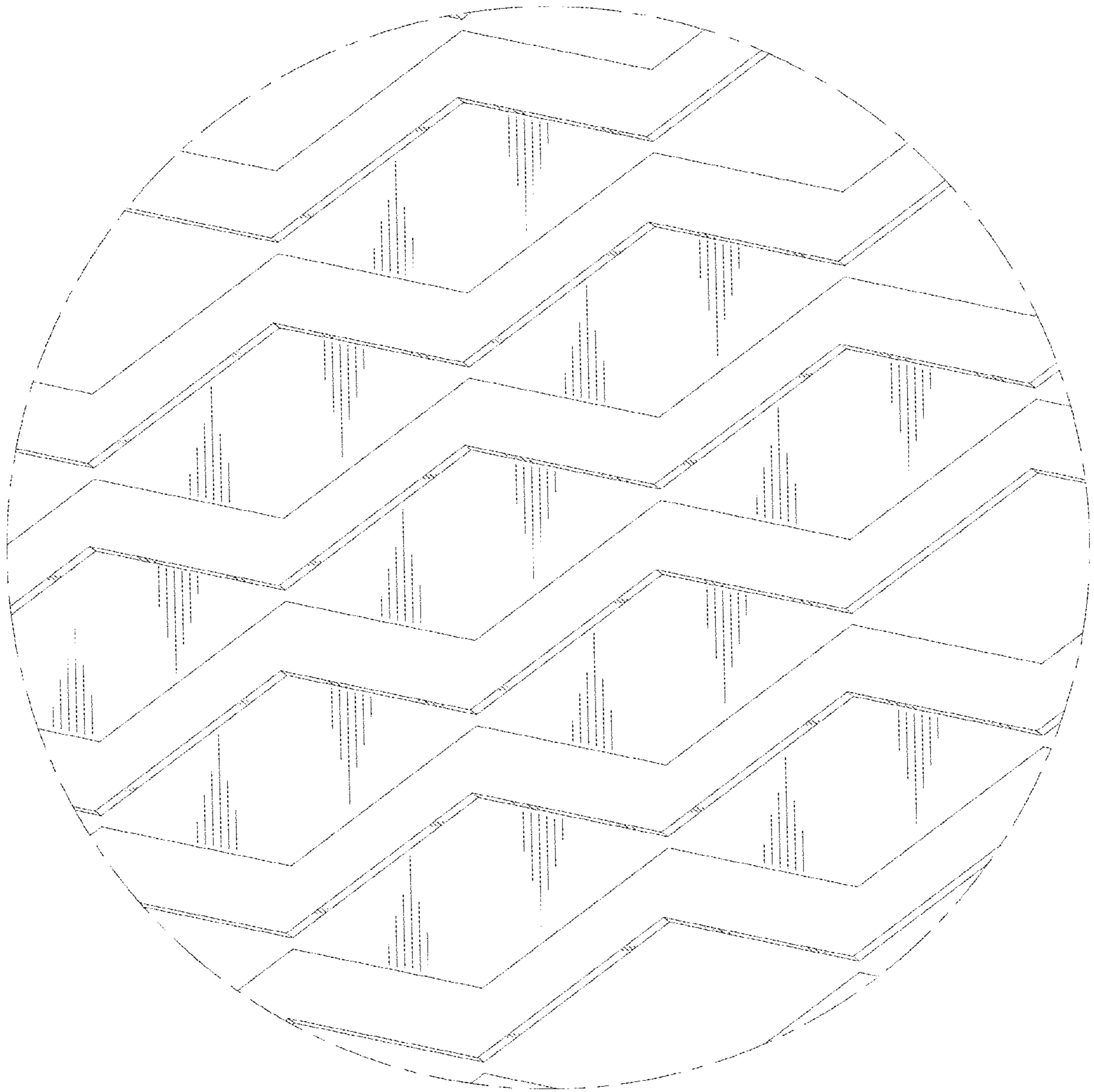


FIG. 9

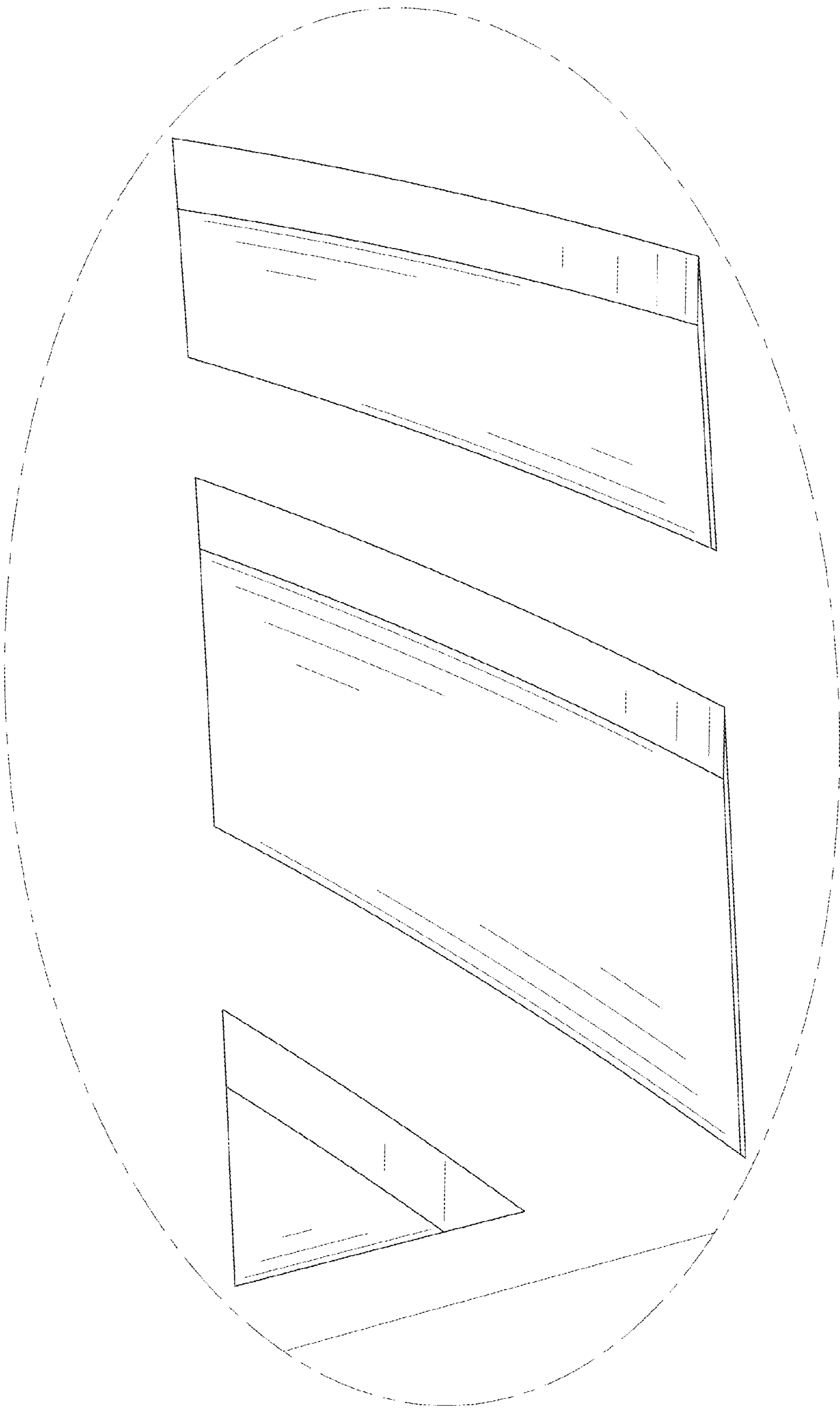


FIG. 10