

US00D967899S

(12) **United States Design Patent**
Dai

(10) **Patent No.:** **US D967,899 S**
(45) **Date of Patent:** **** Oct. 25, 2022**

(54) **EDUCATIONAL TOY**
(71) Applicant: **SHENZHEN CHIPSCOAST TECHNOLOGY CO., LTD**, Shenzhen (CN)
(72) Inventor: **Jiancong Dai**, Shenzhen (CN)
(73) Assignee: **SHENZHEN CHIPSCOAST TECHNOLOGY CO., LTD**, Shenzhen (CN)
(**) Term: **15 Years**
(21) Appl. No.: **29/811,098**

(22) Filed: **Oct. 12, 2021**
(30) **Foreign Application Priority Data**
Sep. 27, 2021 (CN) 202130640122.8
(51) **LOC (13) Cl.** **21-01**
(52) **U.S. Cl.**
USPC **D21/329**
(58) **Field of Classification Search**
USPC D21/332, 333; D14/341, 401, 496, 126, D14/203.7, 240; D24/215, 186; D13/168
CPC .. A63F 9/02; A63F 9/24; A63F 9/0291; A63F 9/0252; A63F 13/00; A63F 13/23; A63F 13/24; A63F 13/26; A63F 13/98; A63F 13/02; A63F 13/12; A63F 9/00; A63F 2300/00; A63F 2300/1031
See application file for complete search history.

(56) **References Cited**
U.S. PATENT DOCUMENTS
D264,356 S * 5/1982 Nagel D21/329
D266,679 S * 10/1982 Hanzawa D21/329
D376,822 S * 12/1996 Osterhout D21/329
D397,679 S * 9/1998 Hawkins D14/342

D405,781 S * 2/1999 Renk D14/126
D422,595 S * 4/2000 Taylor D14/240
D423,468 S * 4/2000 Jenkins D18/7
D429,287 S * 8/2000 Nara D21/329
D442,173 S * 5/2001 Wang D14/342
D442,583 S * 5/2001 Ohta D14/346
D452,687 S * 1/2002 Yeh D14/342
D453,029 S * 1/2002 Smith D21/329
D453,536 S * 2/2002 Ota D21/329
D456,805 S * 5/2002 Ono D14/342
D457,195 S 5/2002 Thadani
D457,883 S * 5/2002 Sugioka D14/342
D460,787 S * 7/2002 Nishikawa D21/329
D466,504 S * 12/2002 Masuda D14/346
D469,816 S * 2/2003 Smith D21/329
D476,989 S * 7/2003 Matsumoto D14/346

(Continued)

Primary Examiner — Mehri F Bajoul

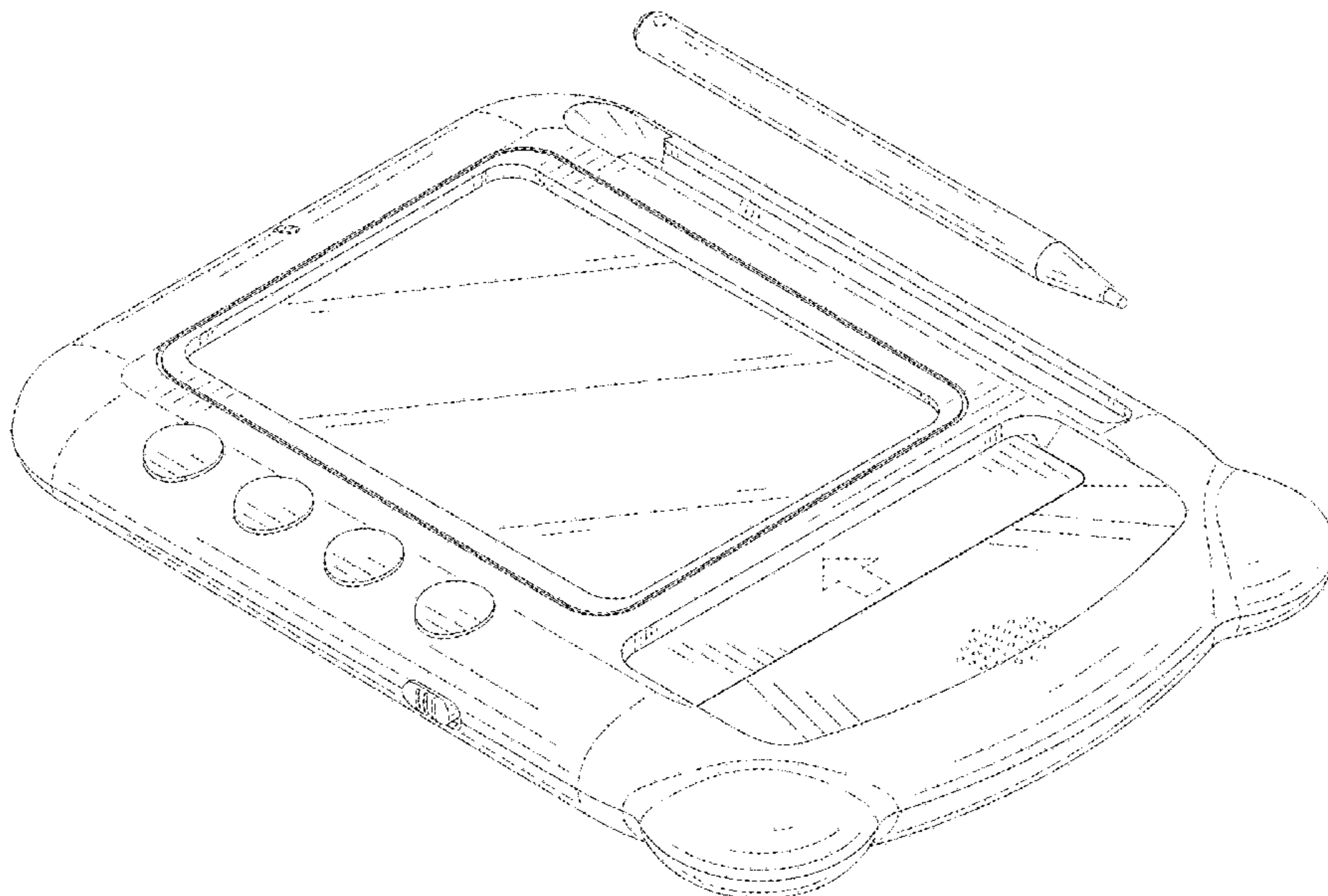
(57) **CLAIM**

The ornamental design for an educational toy, as shown and described.

DESCRIPTION

FIG. 1 is a perspective view of an educational toy showing my new design;
FIG. 2 is another perspective view thereof;
FIG. 3 is a front elevational view thereof;
FIG. 4 is a rear elevational view thereof;
FIG. 5 is a left side elevational view thereof;
FIG. 6 is a right side elevational view thereof;
FIG. 7 is a top plan view thereof;
FIG. 8 is a bottom plan view thereof;
FIG. 9 is an exploded view of the claimed design; and,
FIG. 10 is an enlarged view of portion 10 shown in FIG. 1. The dash-dash broken lines in the drawings depict portions of the educational toy that form no part of the claimed design. The dot-dash broken lines represent the boundary of the enlarged portion and form no part of the claimed design.

1 Claim, 10 Drawing Sheets



(56)

References Cited

U.S. PATENT DOCUMENTS

D479,234 S * 9/2003 Tanaka D14/346
D479,527 S * 9/2003 Eigenstetter D14/346
D485,267 S * 1/2004 Chien D14/346
D494,145 S * 8/2004 Klimas D21/329
D499,401 S * 12/2004 Miller D14/342
D503,171 S * 3/2005 Park D14/346
D508,089 S * 8/2005 Stanek D21/329
7,061,762 B2 * 6/2006 Canova, Jr. G06F 1/1626
361/679.3
D545,784 S * 7/2007 Dayan D14/129
D545,789 S * 7/2007 Dayan D14/129
D546,397 S * 7/2007 Sakurai D21/329
D577,724 S * 9/2008 Henne D14/401
D586,823 S * 2/2009 Anderson D21/329
D602,491 S * 10/2009 Jiang D14/346
D607,872 S * 1/2010 Lee D14/203.3
D646,726 S * 10/2011 Avery D21/324
D674,387 S * 1/2013 Avery D14/341
D723,550 S * 3/2015 Krueger D14/341
D759,650 S * 6/2016 Avery D21/329
D762,872 S * 8/2016 Chen D24/215
D872,799 S 1/2020 Royae
D881,191 S * 4/2020 Navid D14/401
2013/0244217 A1 * 9/2013 Potts G09B 5/02
434/324

* cited by examiner

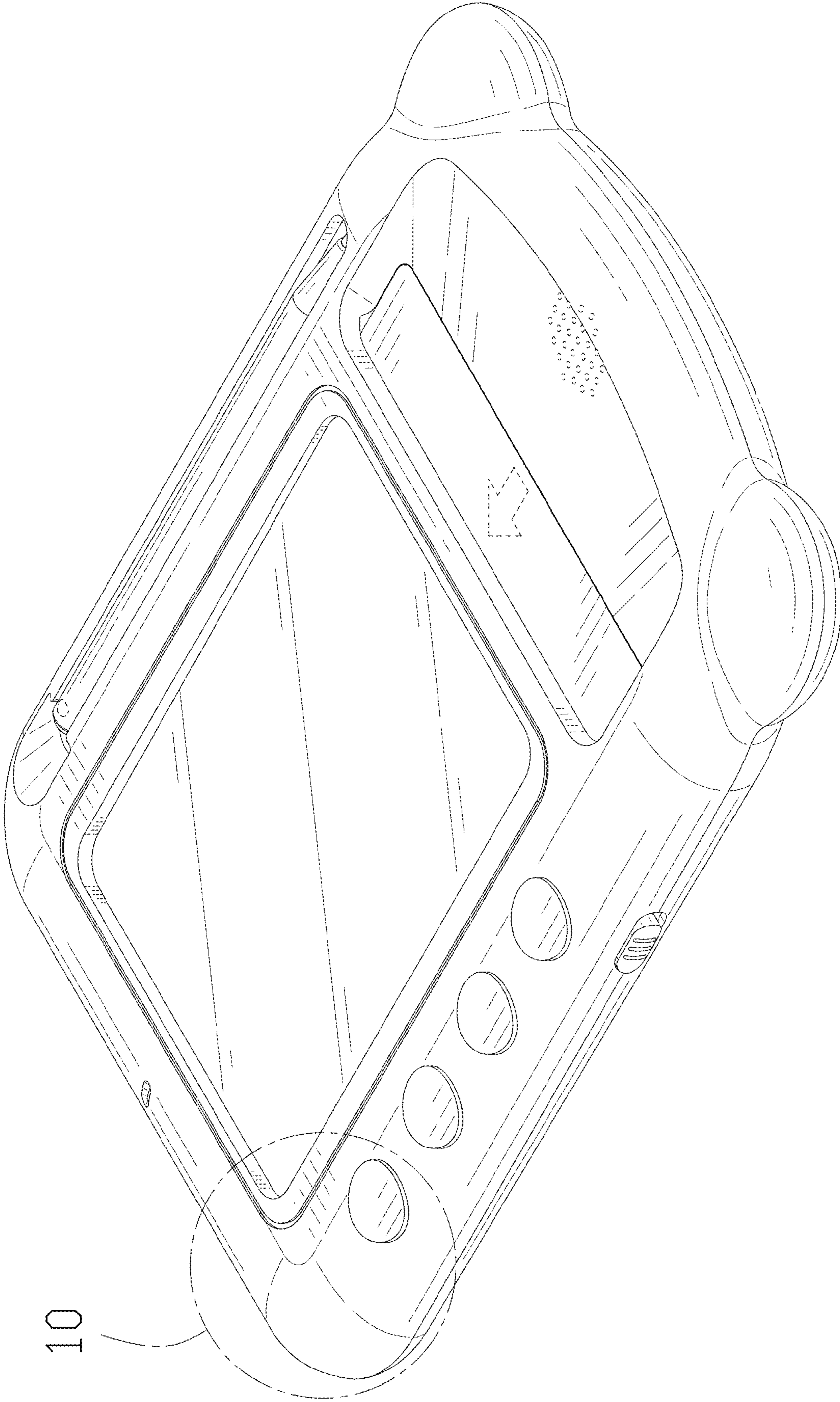


FIG. 1

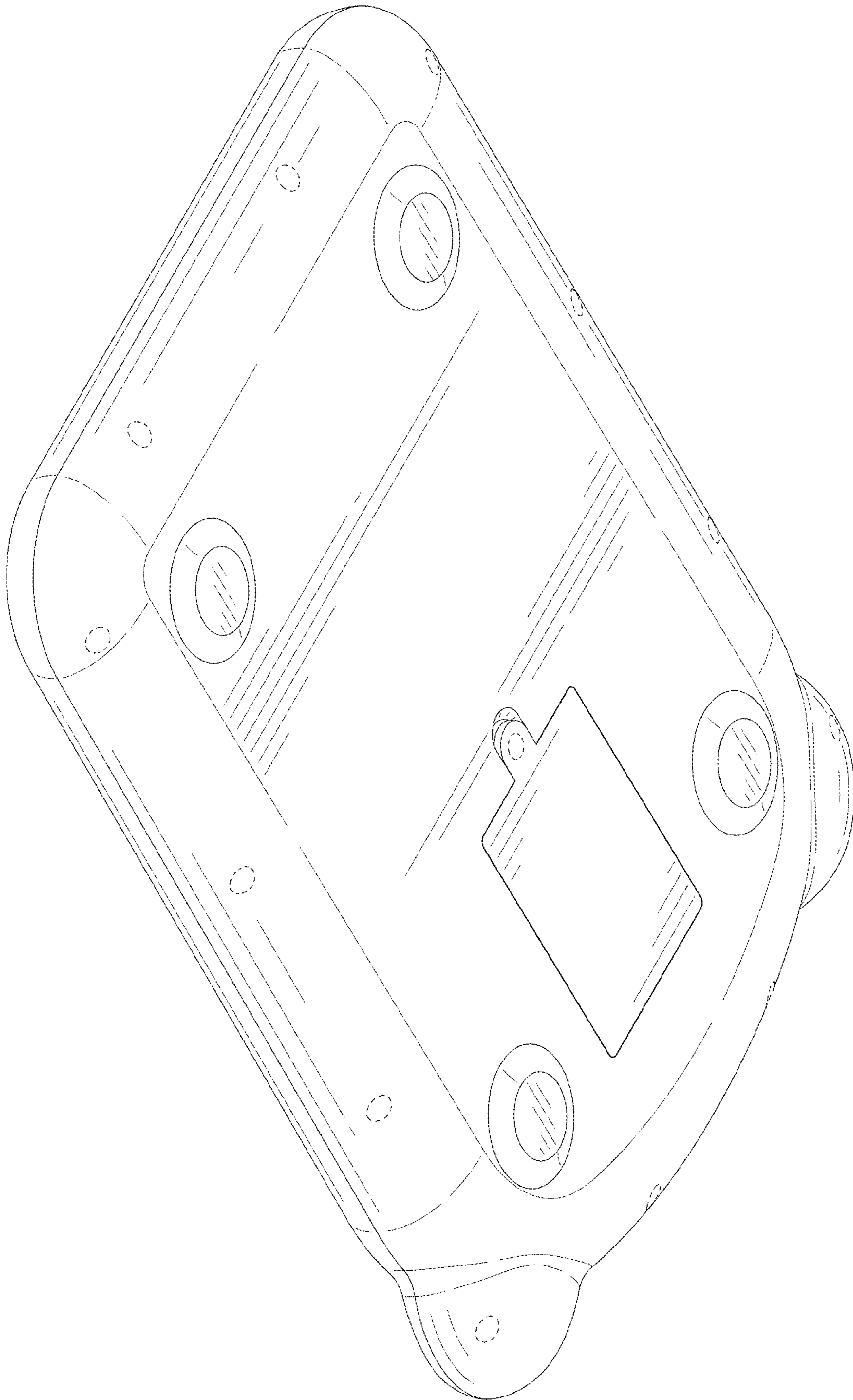


FIG. 2

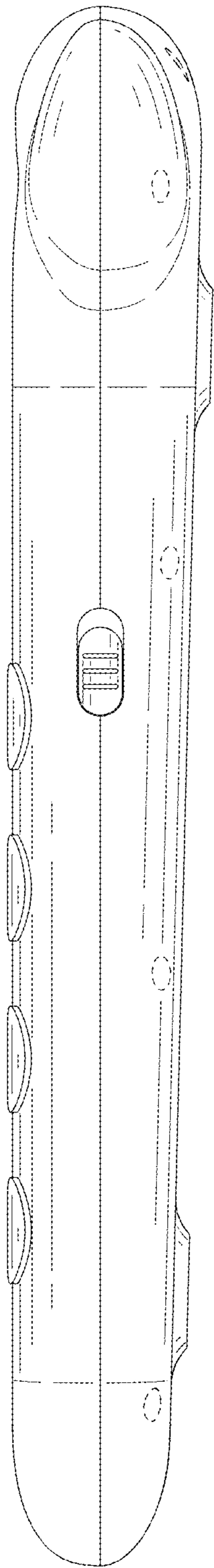


FIG. 3

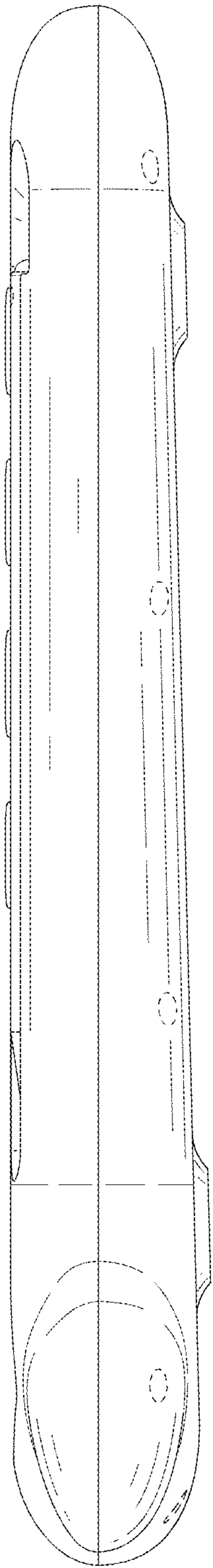


FIG. 4

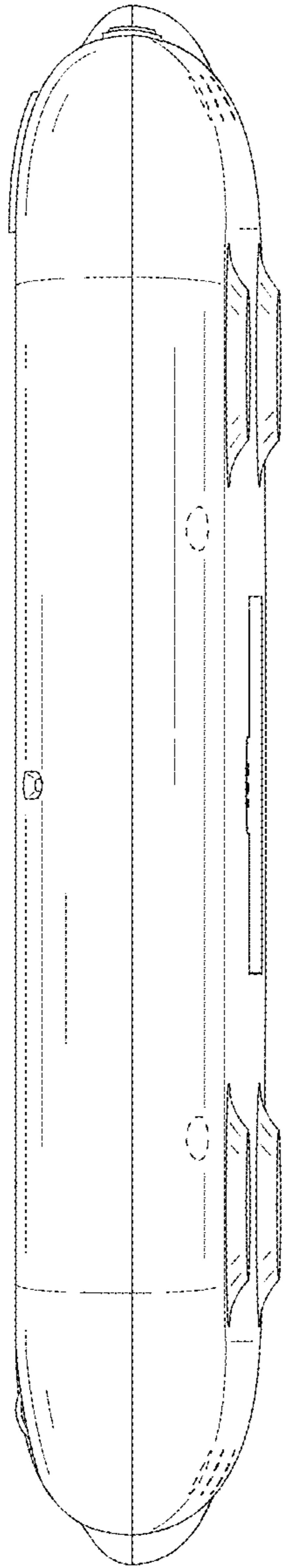


FIG. 5

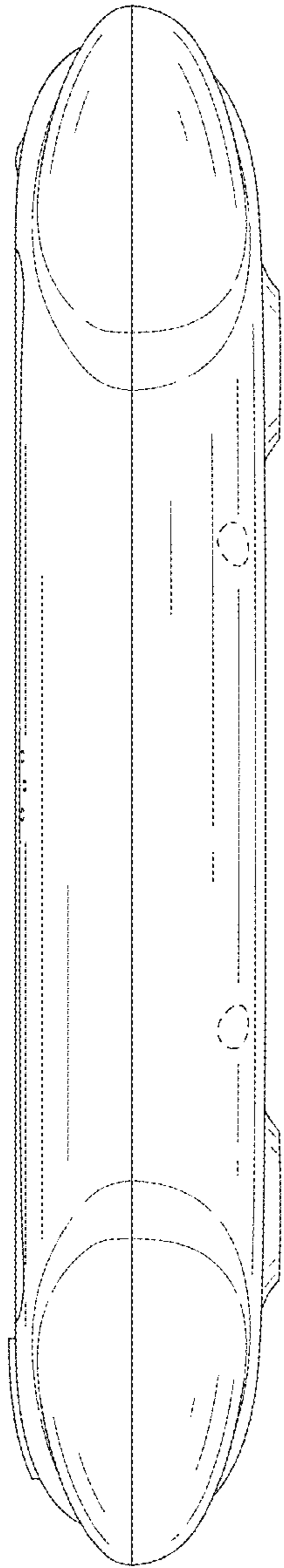


FIG. 6

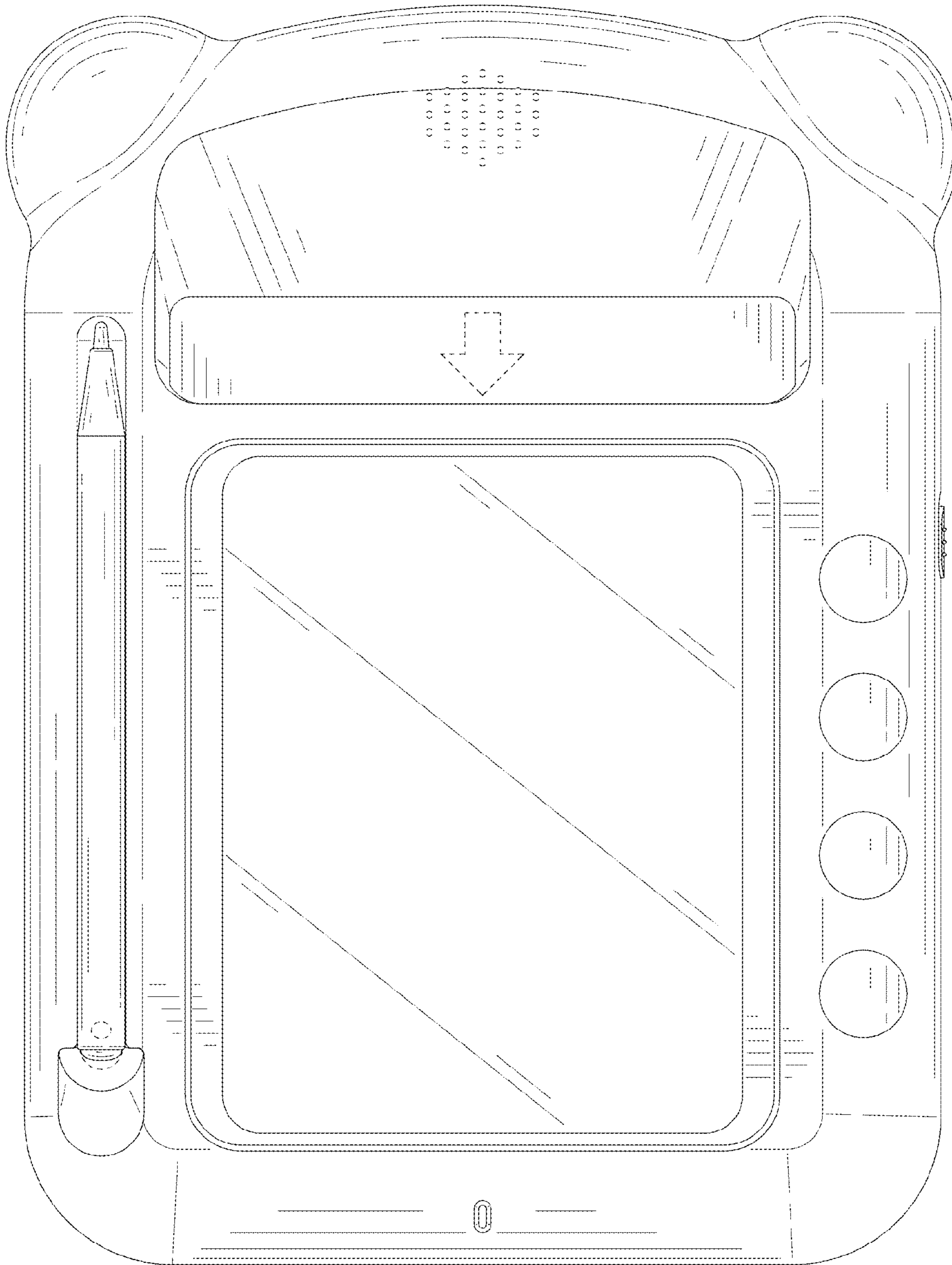


FIG. 7

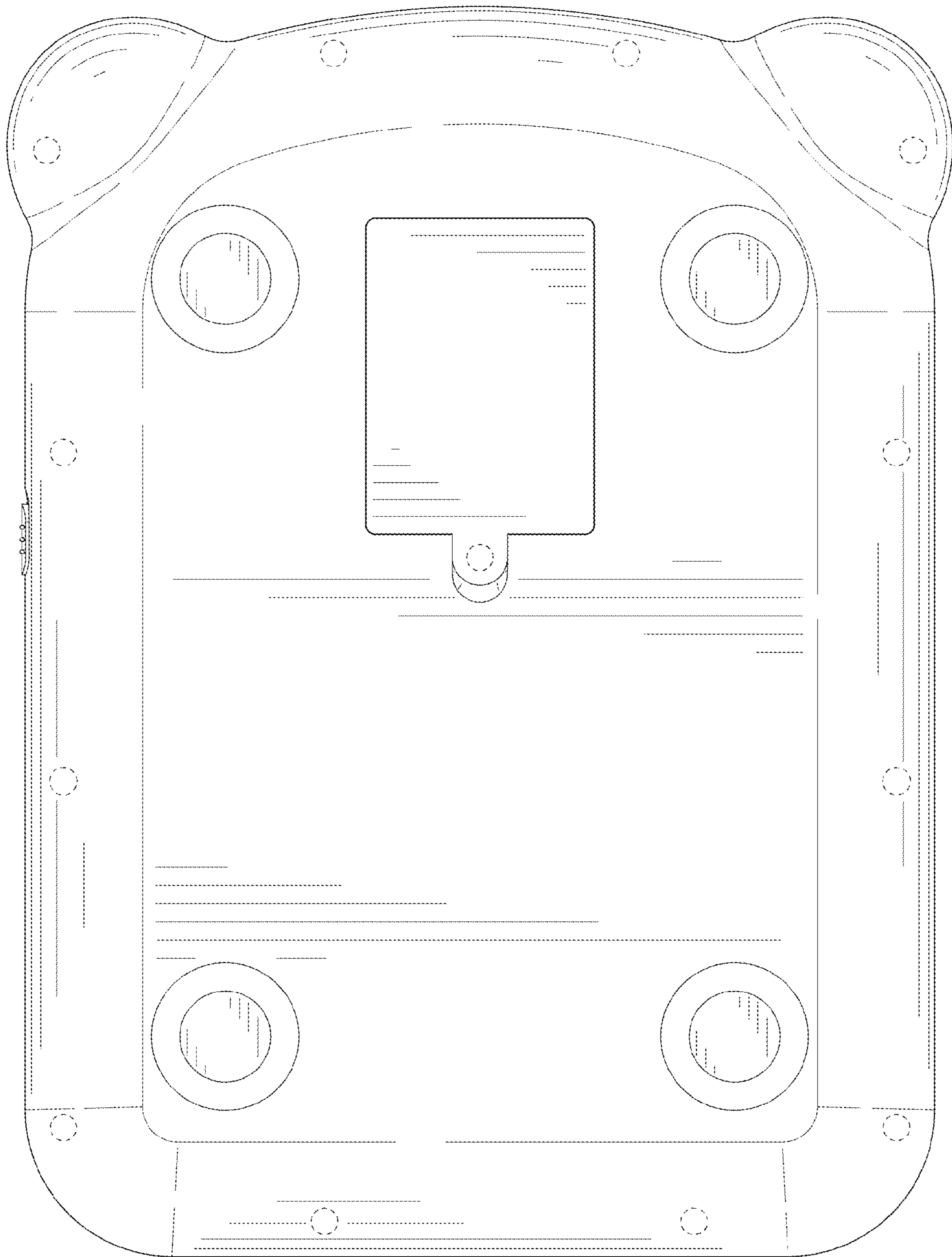


FIG. 8

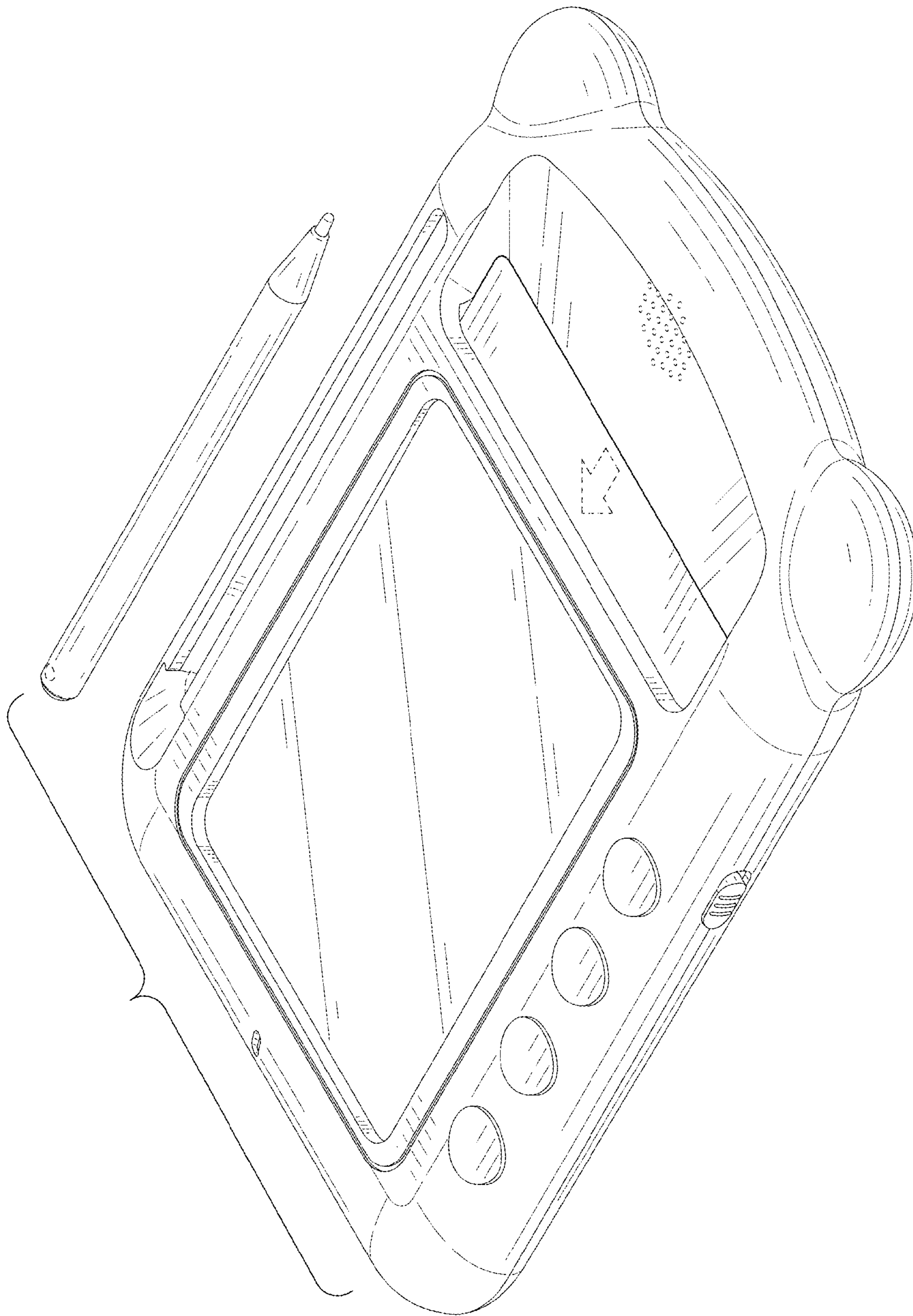


FIG. 9

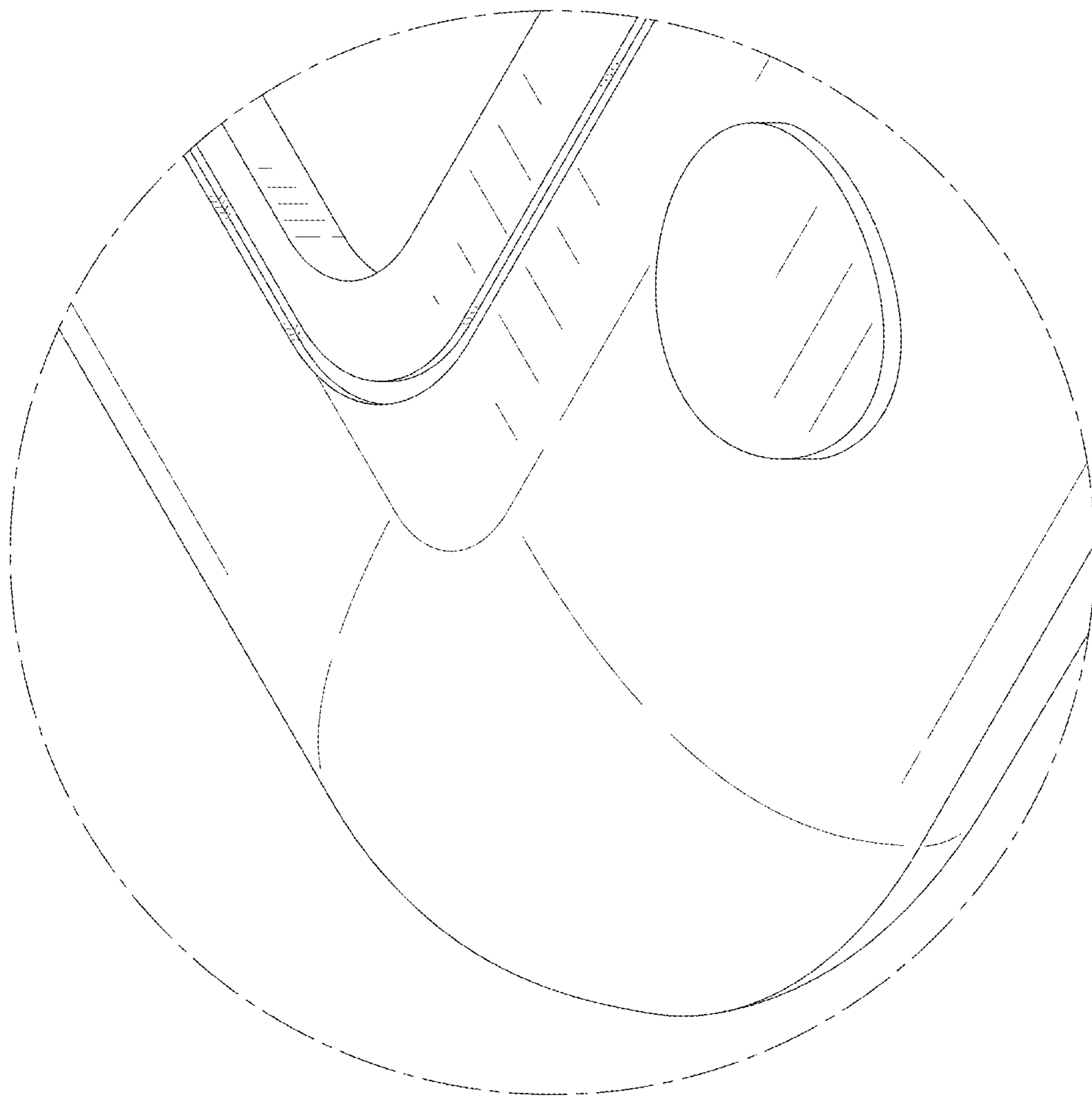


FIG. 10