

US00D967898S

(12) **United States Design Patent** (10) **Patent No.:** **US D967,898 S**
Olive et al. (45) **Date of Patent:** **** Oct. 25, 2022**

(54) **GAMING MACHINE ISLAND**
(71) Applicant: **Aristocrat Technologies Australia Pty Limited**, North Ryde (AU)
(72) Inventors: **Scott Olive**, Brookvale (AU); **Talles Vito**, Warriewood (AU); **Matthew Deitz**, Dee Why (AU)
(73) Assignee: **Aristocrat Technologies Australia Pty Limited**, North Ryde (AU)

D268,600 S * 4/1983 Lee D21/324
D326,285 S 5/1992 Leveille
5,215,659 A 6/1993 Ando
D360,019 S 7/1995 Sonden
D361,154 S 8/1995 Makinen
D369,850 S 5/1996 Cammack
D426,269 S * 6/2000 Miller, Jr. D21/324
D444,508 S 7/2001 George
D458,558 S 6/2002 Tschetter
(Continued)

(**) Term: **15 Years**
(21) Appl. No.: **29/827,938**
(22) Filed: **Feb. 23, 2022**
Related U.S. Application Data

(62) Division of application No. 29/735,520, filed on May 21, 2020, now Pat. No. Des. 954,829.

(51) **LOC (13) Cl.** **21-01**
(52) **U.S. Cl.**
USPC **D21/324**

(58) **Field of Classification Search**
USPC D21/300, 323, 324, 325, 326, 327, 328, D21/329, 330, 331, 332, 333, 334, 335, D21/336, 337, 369, 370, 371, 372, 373, D21/374, 385, 386; D14/125, 126, 127, D14/129, 133, 140, 140.2, 142, 144, 145, D14/149, 151, 203, 217, 300, 301, 302, D14/305, 306, 356-358, 307, 334, 49, D14/362, 365, 383-388, 467, 502, 371, D14/611; D20/10; D6/300, 301
CPC A63F 13/005; A63F 59/04; G07F 17/3295; G07F 17/3283; G07F 17/3204; H04N 7/14; H04N 7/141; H04N 7/142; H04N 5/225
See application file for complete search history.

(56) **References Cited**
U.S. PATENT DOCUMENTS
3,340,633 A * 9/1967 Silberman G09F 11/02 40/473
D262,222 S * 12/1981 Vernon, Jr. D21/324

OTHER PUBLICATIONS

Notice of Allowance dated Feb. 4, 2021 for U.S. Appl. No. 29/708,289 (pp. 1-10).
(Continued)

Primary Examiner — Mehri F Bajoul
(74) *Attorney, Agent, or Firm* — McAndrews, Held & Malloy, Ltd.

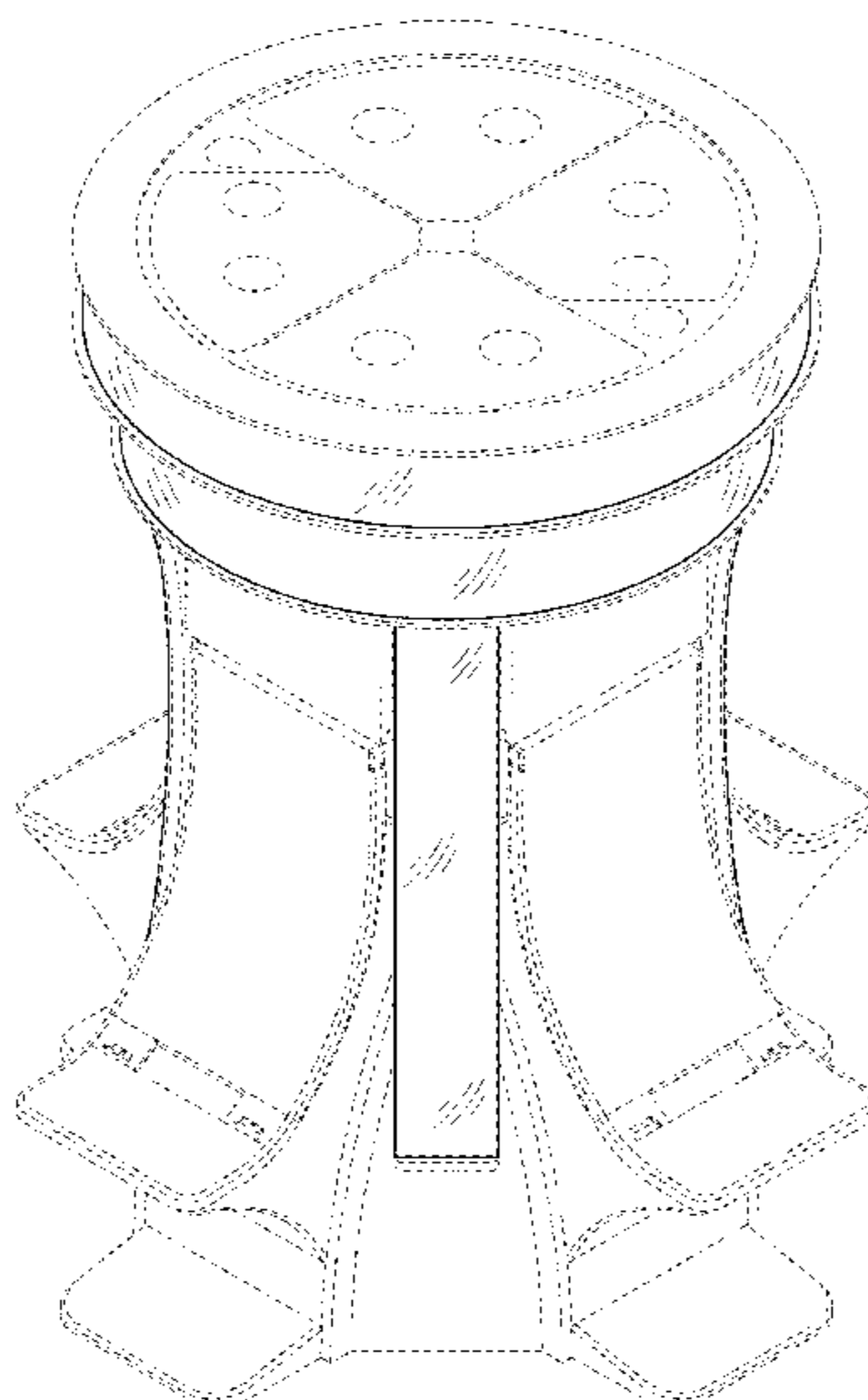
(57) **CLAIM**

The ornamental design for a gaming machine island, as shown and described.

DESCRIPTION

FIG. 1 is a front perspective view of a gaming machine island showing our new design;
FIG. 2 is a front elevation view thereof;
FIG. 3 is a rear elevation view thereof;
FIG. 4 is a right side elevation view thereof;
FIG. 5 is a left side elevation view thereof;
FIG. 6 is a top plan view thereof; and,
FIG. 7 is a bottom plan view thereof.
The dashed broken lines in the figures illustrate portions of the gaming machine island that form no part of the claimed design.

1 Claim, 7 Drawing Sheets



(56)

References Cited

U.S. PATENT DOCUMENTS

D571,440 S 6/2008 Kanao
 D572,770 S 7/2008 Seelig
 D607,945 S 1/2010 Guinchard
 D665,953 S 8/2012 Leary
 8,256,151 B2* 9/2012 Stafford G09F 7/18
 40/606.12
 D705,363 S 5/2014 Inoue
 D707,301 S 6/2014 Inoue
 D714,875 S 10/2014 Wudtke
 D769,985 S* 10/2016 Roberts D21/453
 9,728,031 B2 8/2017 Schultz
 D810,829 S 2/2018 Loynes
 D810,830 S 2/2018 Sharp
 10,019,873 B2 7/2018 Okuaki
 D845,150 S* 4/2019 Shlyakhturov D24/186
 D845,258 S 4/2019 D'Ambrosio
 D859,335 S 9/2019 D'Ambrosio
 D862,602 S 10/2019 Kariya
 D868,717 S 12/2019 Hodgson
 D873,821 S* 1/2020 Song D14/371
 D877,811 S 3/2020 Bernard
 D880,605 S 4/2020 Bussey
 D882,699 S 4/2020 Bernard
 D882,700 S 4/2020 Wudtke
 D883,393 S 5/2020 Bernard
 D891,520 S 7/2020 Urban
 D899,525 S 10/2020 Egar
 D900,229 S 10/2020 Bussey
 D904,523 S 12/2020 Legras
 D905,791 S 12/2020 French
 D905,792 S 12/2020 Baerlocher
 D906,155 S 12/2020 Freiberg
 D907,127 S 1/2021 Olive
 D907,129 S 1/2021 Olive
 D909,479 S 2/2021 Abele
 D911,207 S 2/2021 Grace
 D913,140 S 3/2021 Grace

D914,807 S 3/2021 Olive
 D916,969 S 4/2021 Fleming, Jr.
 D919,708 S 5/2021 Bussey
 D934,346 S 10/2021 Olive
 D948,621 S* 4/2022 Jadeja D21/370
 D952,750 S* 5/2022 Kulujian D21/369
 D952,751 S* 5/2022 Kulujian D21/369
 D952,752 S* 5/2022 Kulujian D21/369
 D952,753 S* 5/2022 Kulujian D21/369
 D952,754 S* 5/2022 Kulujian D21/369
 D952,755 S* 5/2022 Kulujian D21/369
 D954,829 S* 6/2022 Olive D21/324
 2001/0008074 A1 7/2001 Radley-Smith
 2005/0189906 A1 9/2005 Sun
 2007/0095105 A1 5/2007 Dagesian
 2009/0023491 A1 1/2009 Ikeya
 2012/0239521 A1 9/2012 Acworth
 2014/0123702 A1 5/2014 Pierce
 2014/0326022 A1 11/2014 Tosyali
 2019/0102974 A1 4/2019 Bussey
 2020/0364969 A1 11/2020 Pececnik
 2020/0372757 A1 11/2020 Cire
 2020/0388106 A1 12/2020 Urban

OTHER PUBLICATIONS

Notice of Allowance dated Jul. 22, 2021 for U.S. Appl. No. 29/771,639 (pp. 1-8).
 Notice of Allowance dated Jan. 12, 2022 for U.S. Appl. No. 29/735,520 (pp. 1-10).
 "Aristocrat Gaming Machine", posted Mar. 15, 2021 [Online], [retrieved Dec. 13, 2021]. Retrieved from Internet, Aristocrat's Buffalo Link now available on MarsX Portrait Cabinet.
 "Aristocrat Gaming Machine", posted Mar. 17, 2021 [Online], [retrieved Dec. 13, 2021]. Retrieved from Internet, <https://oldencasinonews.com/blog/2021/03/17/aristocrats-buffalo-link-now-available-on-marsx-portrait-cabinet/>.

* cited by examiner

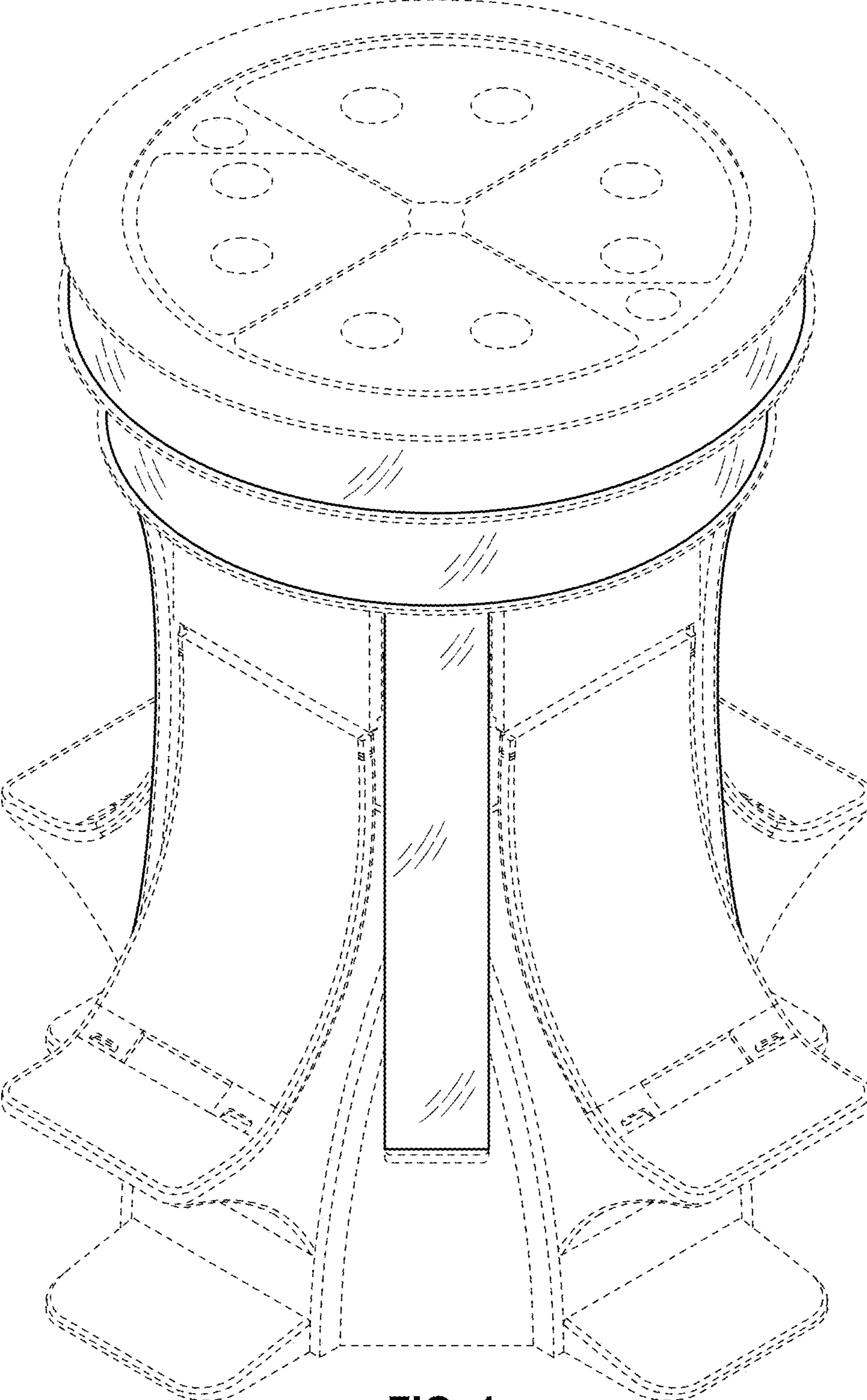


FIG. 1

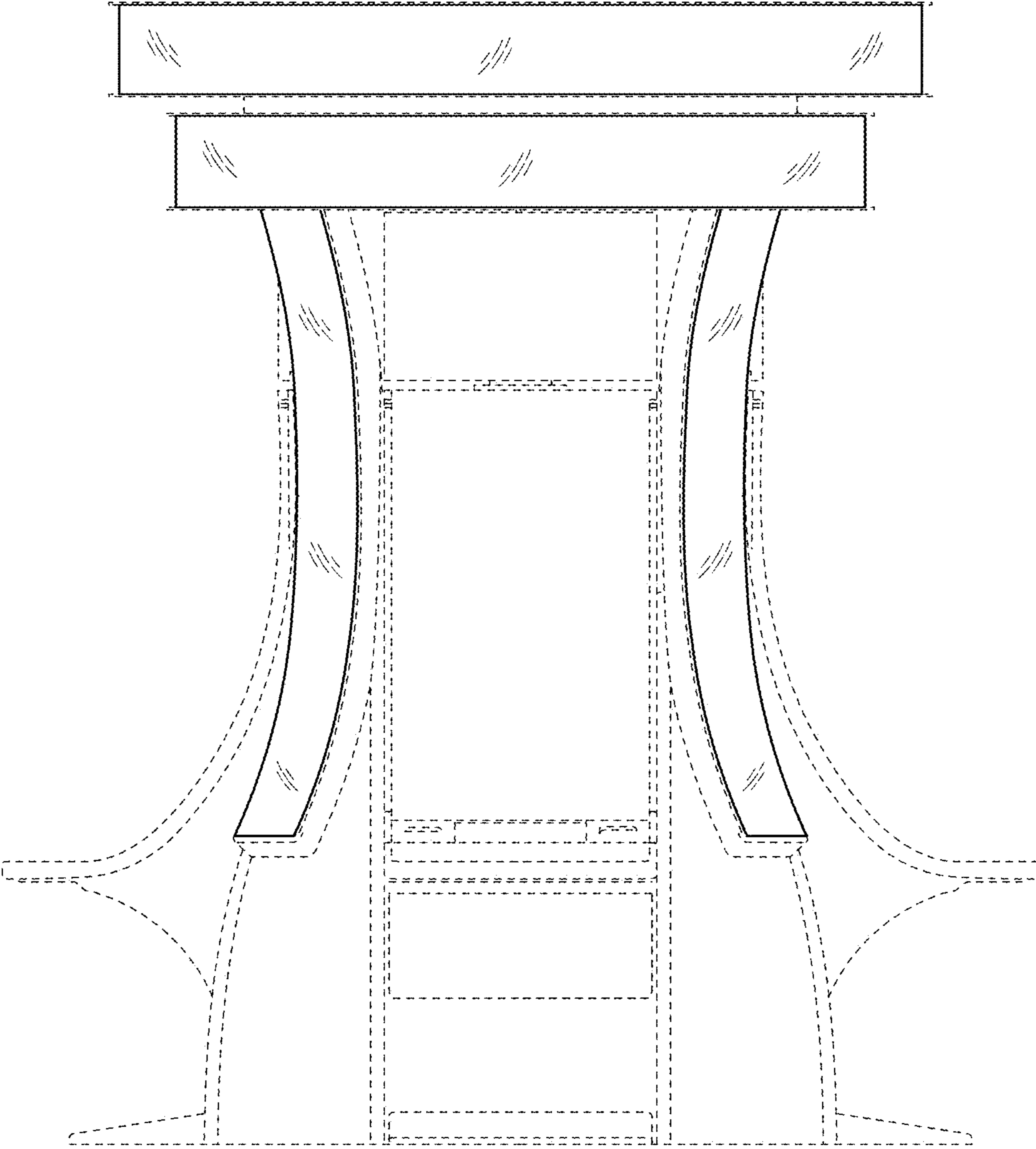


FIG. 2

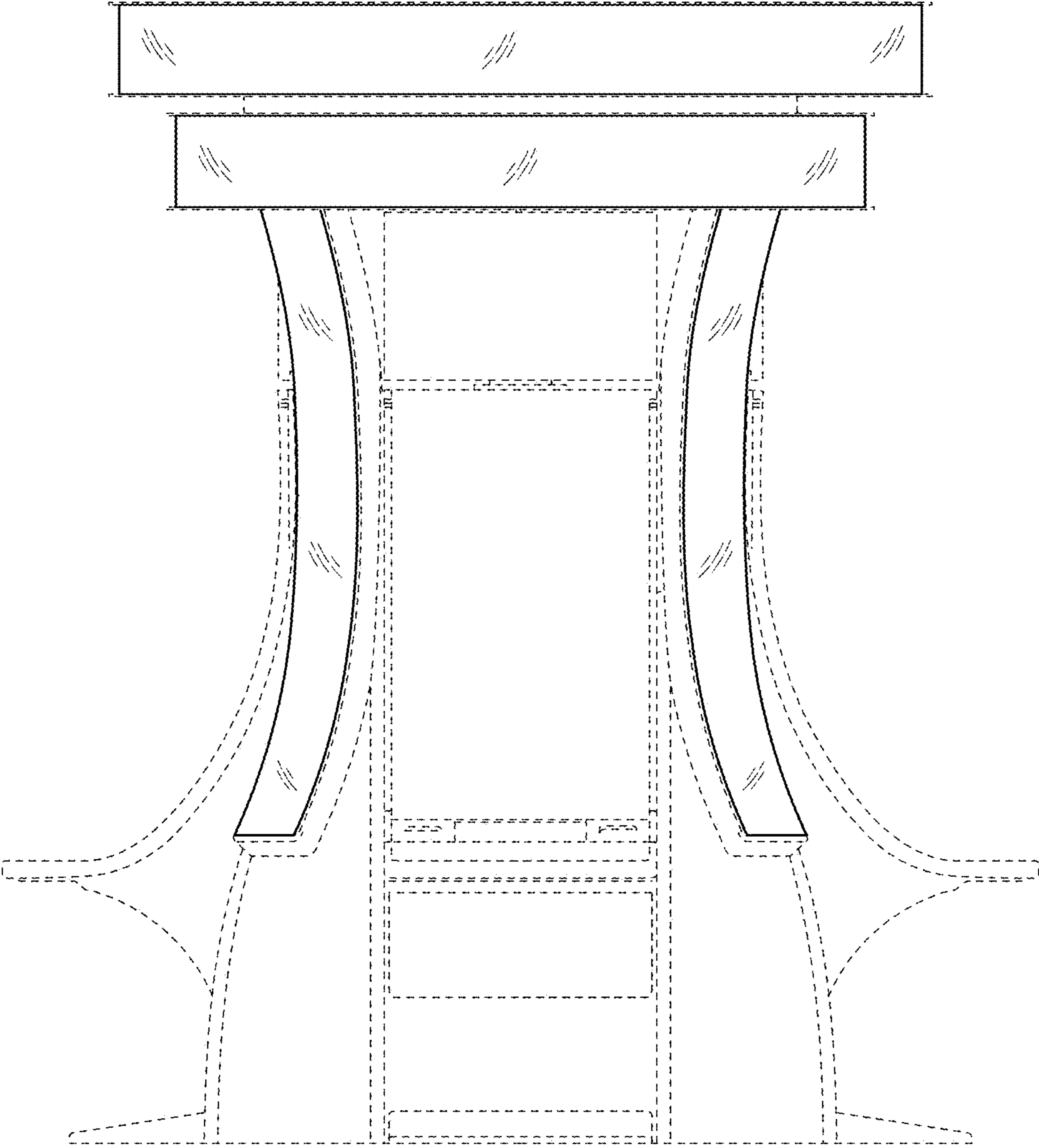


FIG. 3

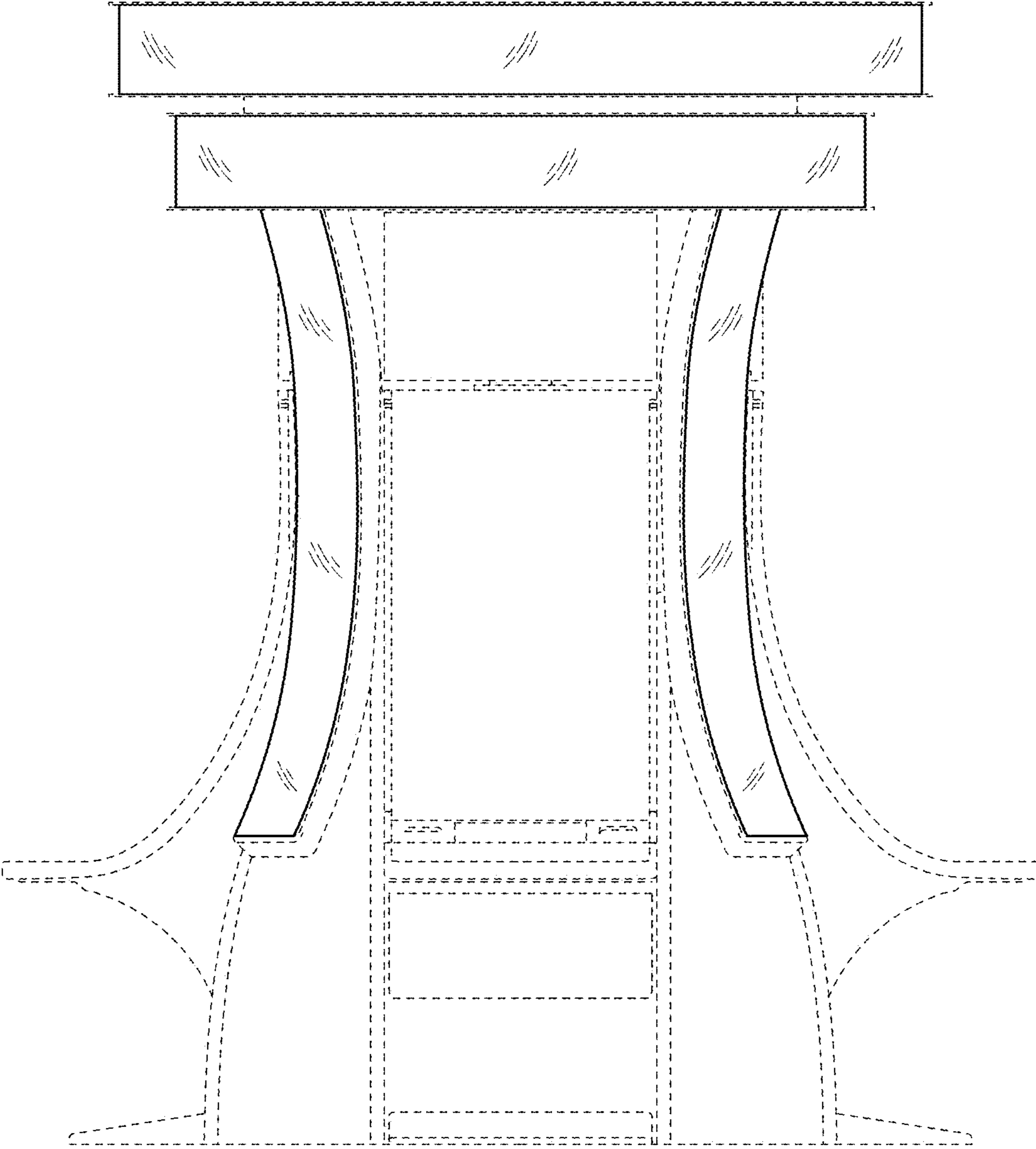


FIG. 4

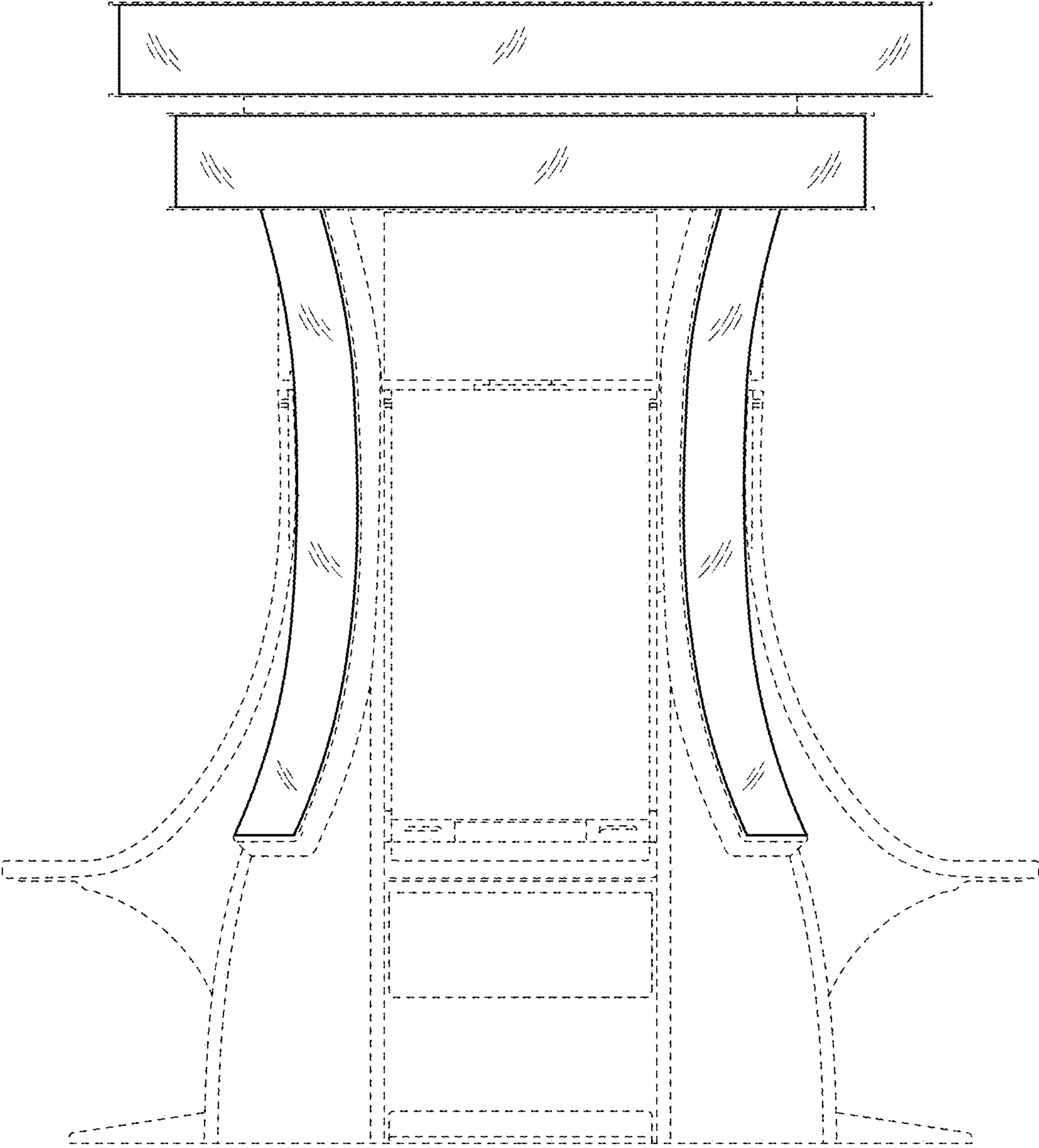


FIG. 5

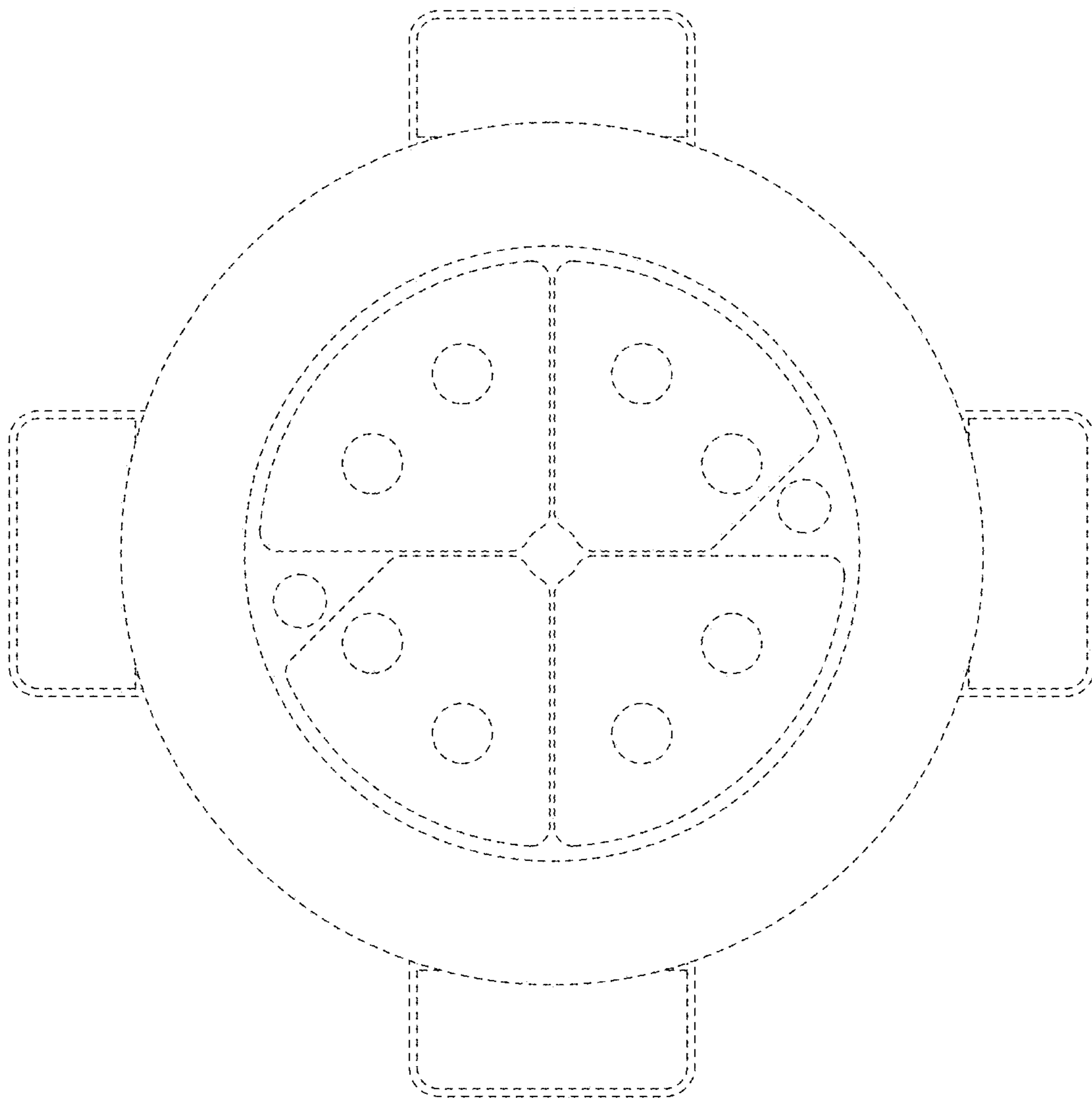


FIG. 6

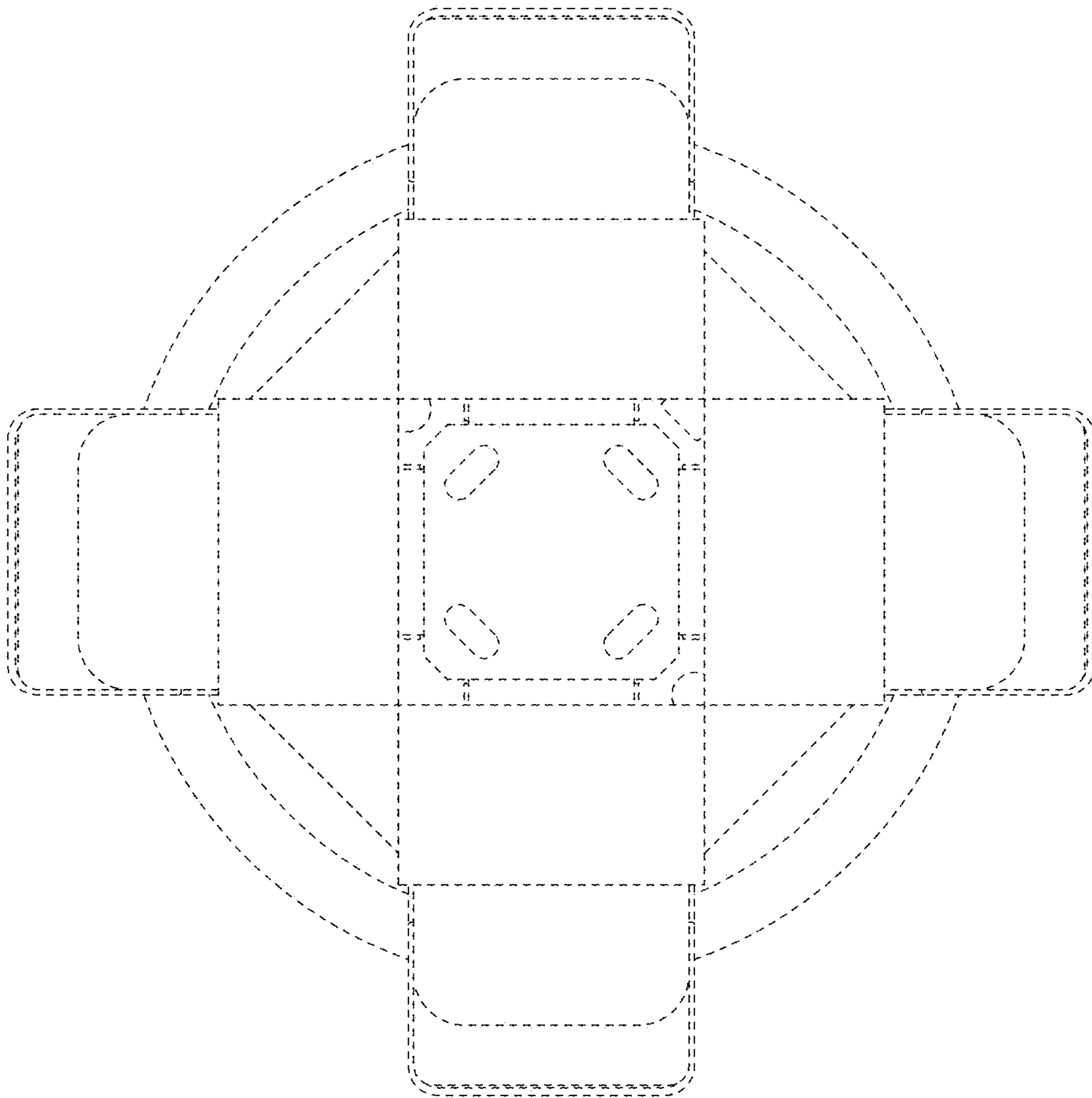


FIG. 7