



US00D967894S

(12) **United States Design Patent** (10) **Patent No.:** **US D967,894 S**
Mills et al. (45) **Date of Patent:** **** Oct. 25, 2022**

(54) **PAYMENT CARD**

(71) Applicant: **Capital One Services, LLC**, McLean, VA (US)

(72) Inventors: **Brian R. Mills**, Richmond, VA (US);
Carl Pierce, Philadelphia, PA (US)

(73) Assignee: **CAPITAL ONE SERVICES, LLC**, McLean, VA (US)

(**) Term: **15 Years**

(21) Appl. No.: **29/807,125**

(22) Filed: **Sep. 9, 2021**

Related U.S. Application Data

(62) Division of application No. 29/707,065, filed on Sep. 25, 2019, now Pat. No. Des. 933,125, which is a division of application No. 29/680,437, filed on Feb. 15, 2019, now Pat. No. Des. 866,660, which is a division of application No. 29/596,817, filed on Mar. 10, 2017, now Pat. No. Des. 847,256.

(51) **LOC (13) Cl.** **19-08**

(52) **U.S. Cl.**
USPC **D19/9**

(58) **Field of Classification Search**

USPC D19/1-12; 40/124.01-124.15, 672, 661, 40/726, 776, 617, 633; 229/72, 92, 92.1, 229/300-303; 283/72, 74-75, 103-106; D20/10, 22, 42, 11; D14/435-437

CPC B42D 15/00; B42D 15/022; B42D 15/045; B42D 15/027; B42D 15/042; B42D 25/00; B42D 25/20; B42D 25/23; B42D 25/26; B42D 25/30; B42D 25/285; B42D 2033/00; B42D 2033/02; B42D 2033/04; B42D 2033/08; B42D 2033/10; G06K 19/06196; G06K 19/042

See application file for complete search history.

(56) **References Cited**

U.S. PATENT DOCUMENTS

D480,754 S 10/2003 Berger
D490,103 S 5/2004 Rangel et al.
D510,384 S 10/2005 Allen et al.
D559,905 S 1/2008 Halbur et al.
D568,388 S 5/2008 Hammad
D569,425 S 5/2008 Law et al.
D571,856 S 6/2008 Hammad et al.

(Continued)

OTHER PUBLICATIONS

Design U.S. Appl. No. 29/596,806, filed Mar. 10, 2017.
Design U.S. Appl. No. 29/527,734, filed May 21, 2015.
Design U.S. Appl. No. 29/584,795, filed Nov. 17, 2016.

Primary Examiner — Abraham Bahta

(74) *Attorney, Agent, or Firm* — Finnegan, Henderson, Farabow, Garrett & Dunner, LLP

(57) **CLAIM**

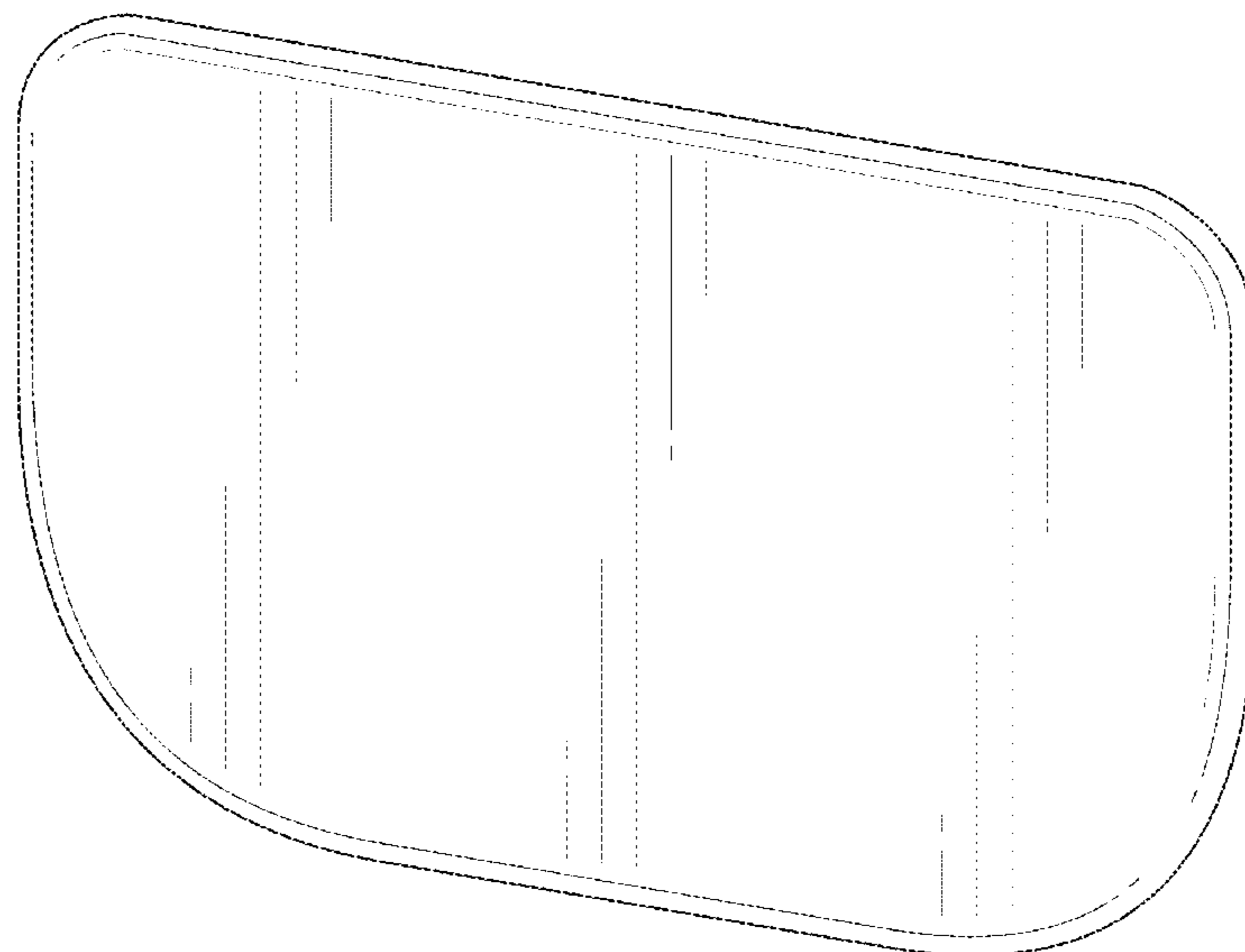
The ornamental design for a payment card, as shown and described.

DESCRIPTION

FIG. 1 is a front right perspective view of an embodiment of a payment card showing our new design;
FIG. 2 is a rear left perspective view thereof;
FIG. 3 is a front elevation view thereof;
FIG. 4 is a rear elevation view thereof;
FIG. 5 is a top plan view thereof, the bottom view being a mirror image thereof;
FIG. 6 is a right side view thereof;
FIG. 7 is a left side view thereof; and,
FIG. 8 is an enlarged, detailed view of the top view, as shown in FIG. 5.

The shape of the edge of the payment card illustrated in FIG. 8 consistent around the perimeter of the top, right, left, and bottom sides of the payment card-in both embodiments.

1 Claim, 8 Drawing Sheets



(56)

References Cited

U.S. PATENT DOCUMENTS

D575,332 S	8/2008	Parker et al.	
D599,849 S	9/2009	Halbur et al.	
D624,962 S	10/2010	Lazarowicz et al.	
D634,780 S	3/2011	Schumann	
D690,767 S	10/2013	Lindley	
D724,660 S	3/2015	Sippola et al.	
D779,591 S	2/2017	Cypress	
D847,256 S	4/2019	Mills et al.	
D857,093 S	8/2019	Mills et al.	
D866,660 S	11/2019	Mills et al.	
D868,887 S *	12/2019	Mills	D19/9
D896,822 S	9/2020	James et al.	
D896,887 S *	9/2020	Herrington	D19/9
D898,822 S	10/2020	Mills et al.	
D933,125 S *	10/2021	Mills	D19/9
D952,738 S *	5/2022	Mills	D19/9

* cited by examiner

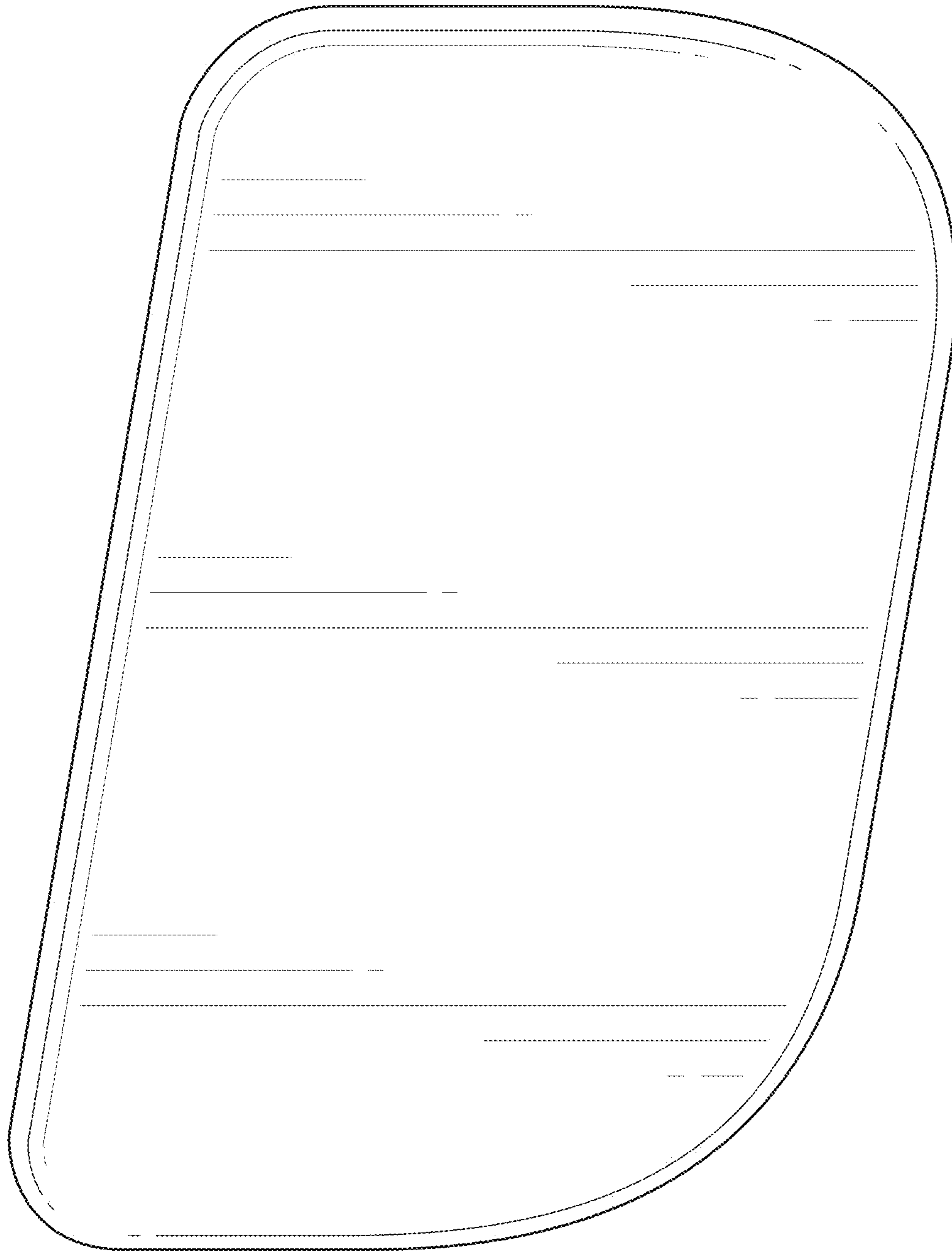


FIG. 1

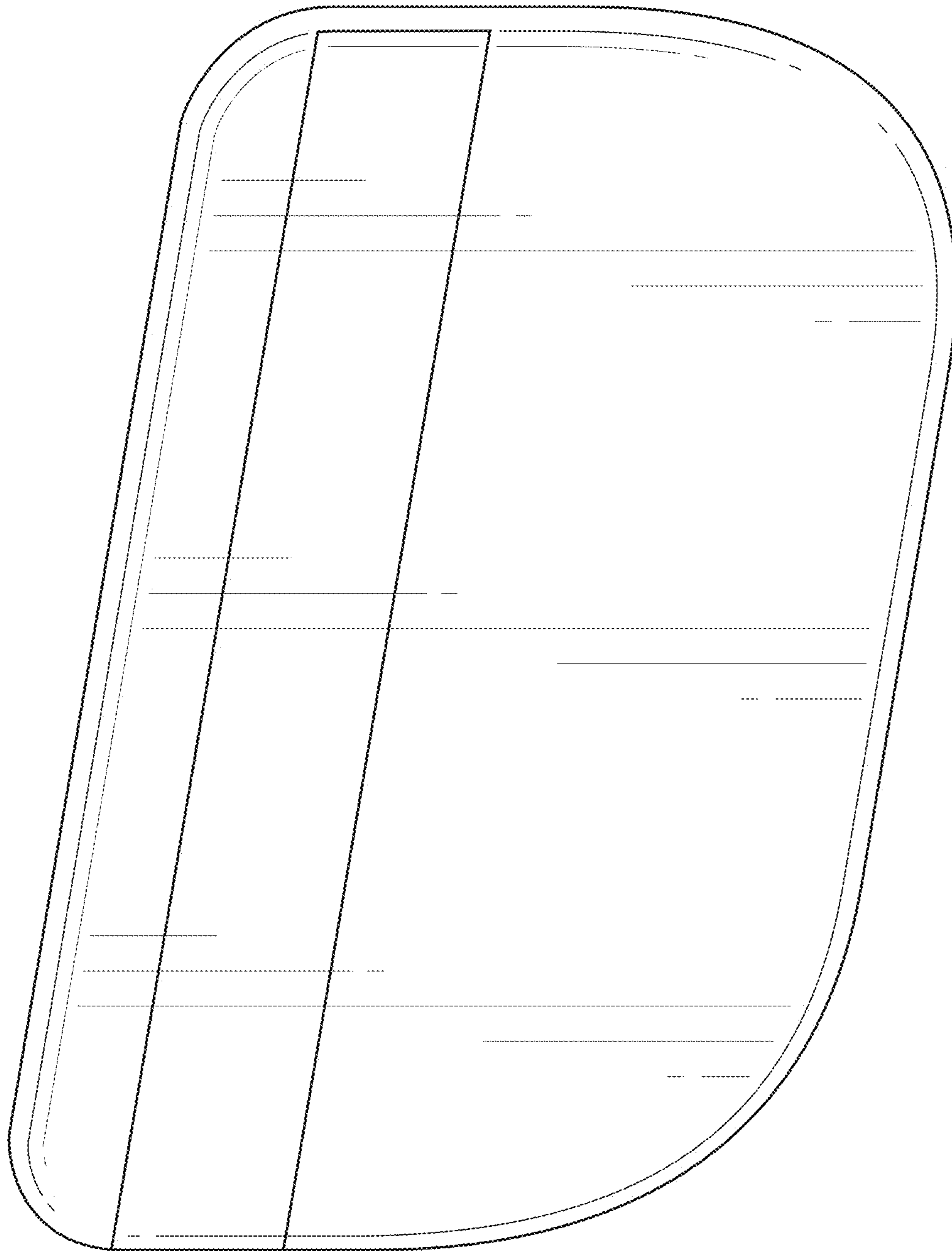


FIG. 2



FIG. 3

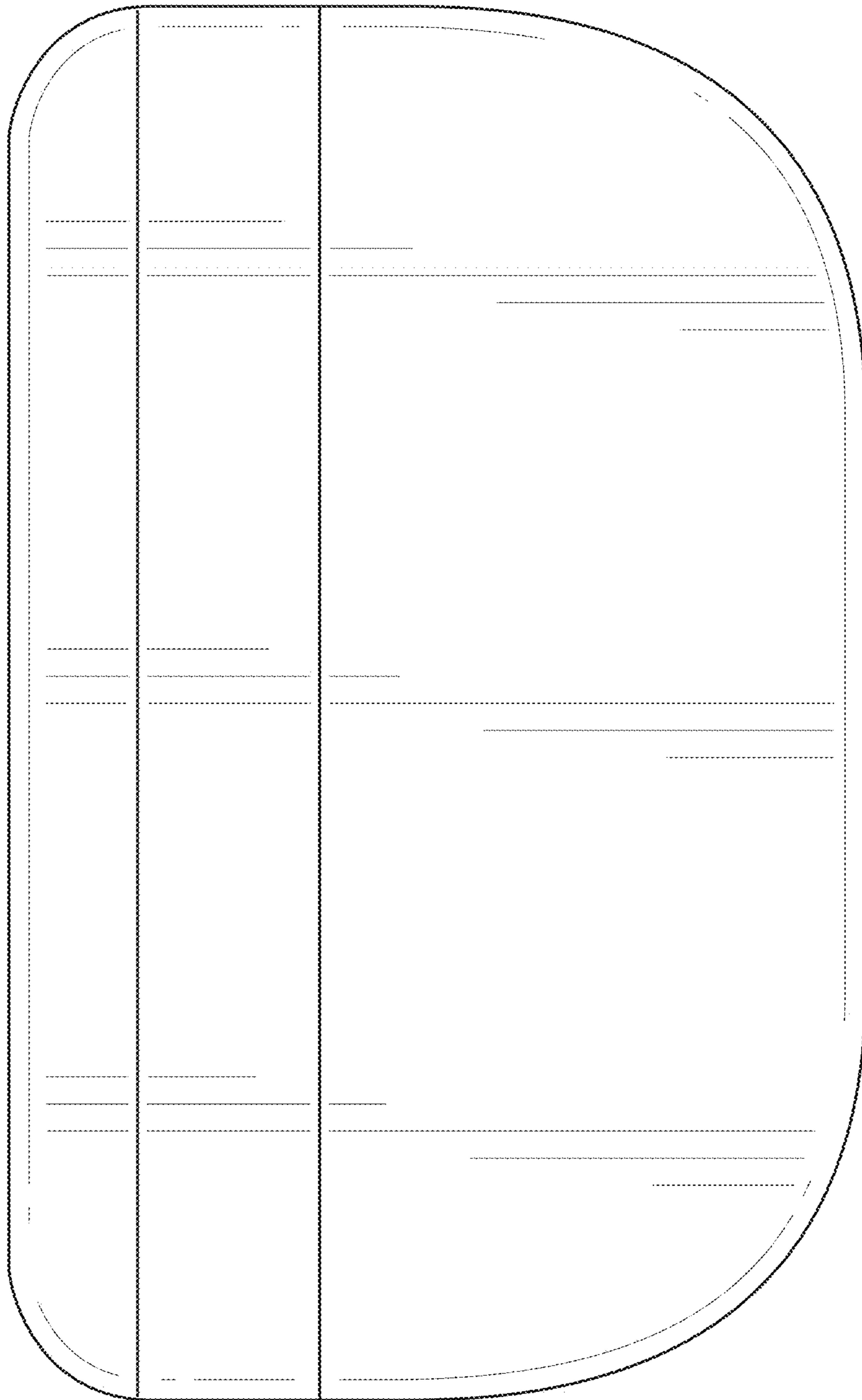


FIG. 4

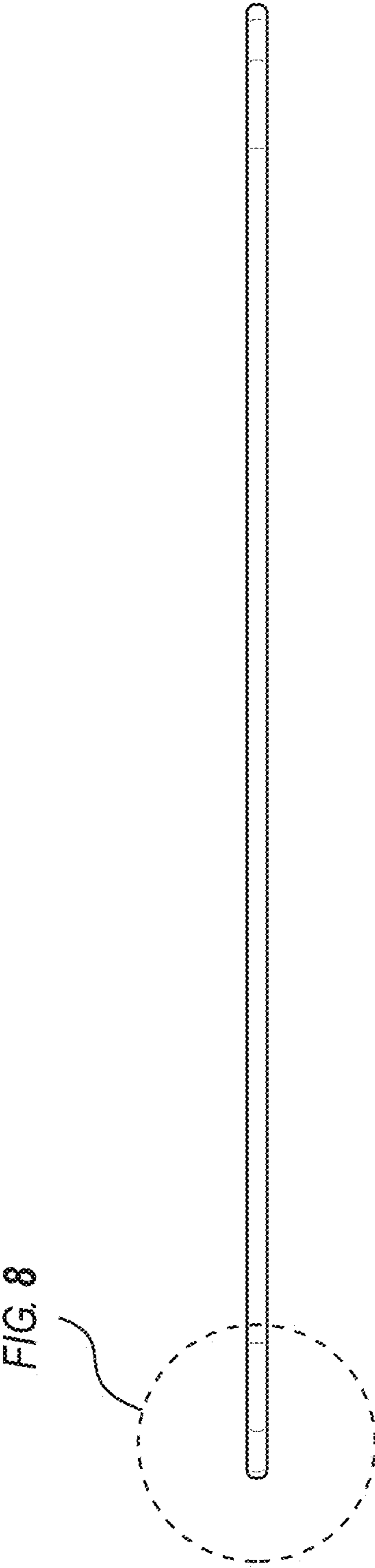


FIG. 8

FIG. 5

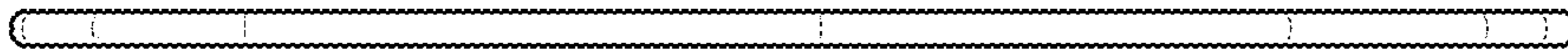


FIG. 6



FIG. 7

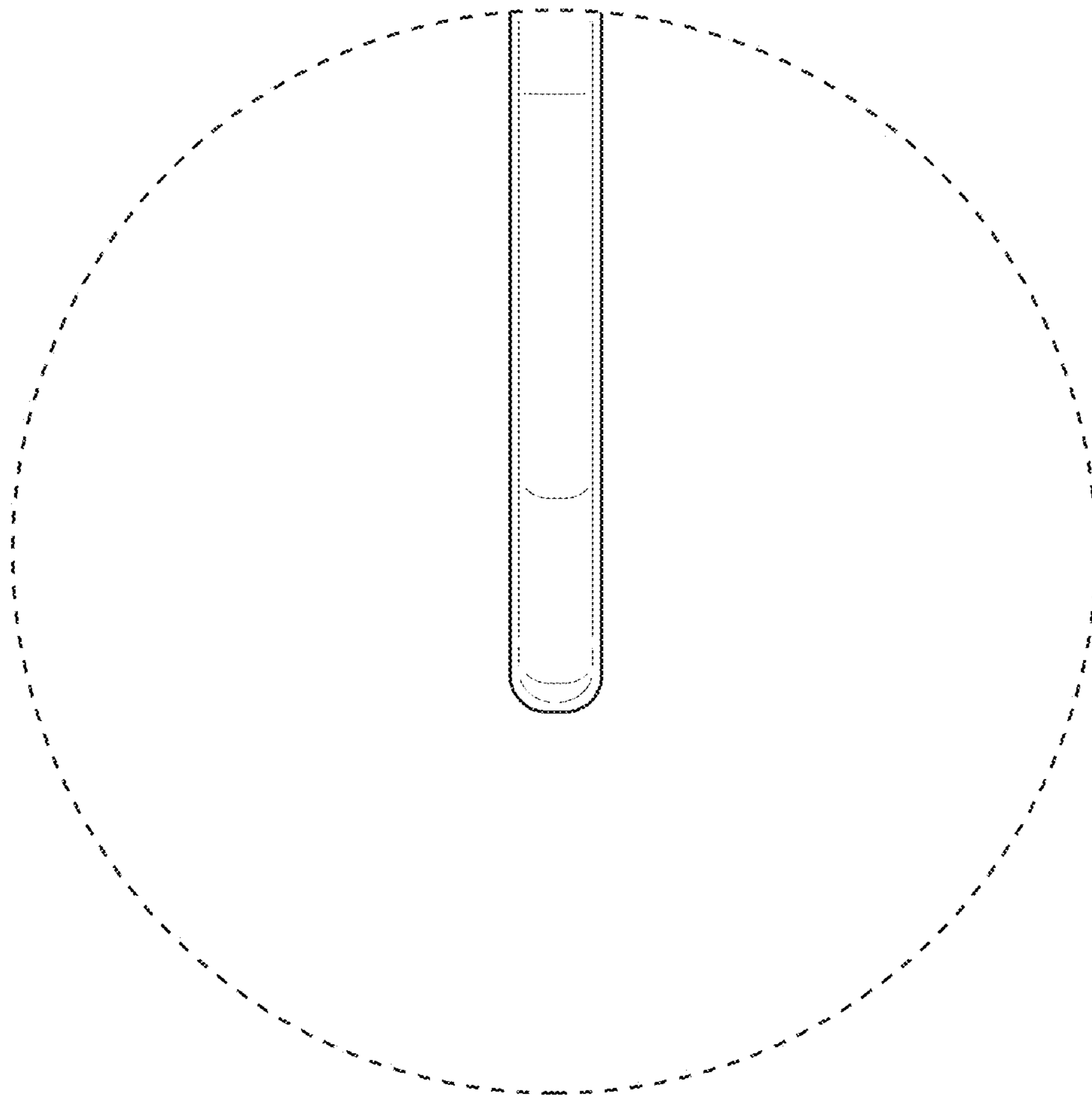


FIG. 8