



US00D967891S

(12) **United States Design Patent** (10) **Patent No.:** **US D967,891 S**
Koyama et al. (45) **Date of Patent:** **** Oct. 25, 2022**

(54) **TONER CARTRIDGE**
(71) Applicant: **OKI DATA CORPORATION**, Tokyo (JP)
(72) Inventors: **Tetsu Koyama**, Tokyo (JP); **Yoshihiro Goto**, Tokyo (JP); **Hisatoshi Saito**, Tokyo (JP); **Shingo Shimada**, Tokyo (JP); **Akira Saito**, Tokyo (JP); **Hiroki Haruyama**, Tokyo (JP)
(73) Assignee: **OKI ELECTRIC INDUSTRY CO., LTD.**, Tokyo (JP)

D656,186 S * 3/2012 Oya D18/56
D682,929 S * 5/2013 Aoki D18/56
D682,931 S * 5/2013 Aoki D18/56
D707,290 S * 6/2014 Harvey D18/56
D712,464 S * 9/2014 Harvey D18/56
D817,392 S * 5/2018 Koizumi D18/56
D890,709 S * 7/2020 Lim D13/184
D915,508 S * 4/2021 Minagawa D18/56
D934,341 S * 10/2021 Olsen D18/56

(Continued)

FOREIGN PATENT DOCUMENTS

EM 007433800-0001 * 5/2020

OTHER PUBLICATIONS

Toner Cartridge—2016—p. 1—YouTube 29736152—<https://www.youtube.com/watch?v=SIKHOcqaXo4> (Year: 2016).*

Primary Examiner — Jennifer L Rempfer
Assistant Examiner — Danielle Nichole Bowly
(74) *Attorney, Agent, or Firm* — Posz Law Group, PLC

(**) Term: **15 Years**
(21) Appl. No.: **29/736,152**
(22) Filed: **May 28, 2020**
(30) **Foreign Application Priority Data**

Jan. 10, 2020 (JP) 2020-000359

(51) **LOC (13) Cl.** **18-02**
(52) **U.S. Cl.**
USPC **D18/56**

(58) **Field of Classification Search**
USPC D15/138, 135, 122; D18/50, 52, 54, 55, D18/56
CPC ... B65H 1/02; B41J 17/00; B41J 29/08; B41J 29/02; B41J 2/1752; B41J 2/175; B41J 15/044; B26D 1/045; B26D 1/065; B41M 2205/06; B41M 2205/04; B41M 5/035; B41M 5/03; B41M 5/0094; B41M 1/26; B41M 1/24; H04N 1/00278

See application file for complete search history.

(56) **References Cited**

U.S. PATENT DOCUMENTS

D570,405 S * 6/2008 Otsuka 347/86
D607,508 S * 1/2010 Domae D18/56
D656,185 S * 3/2012 Oya D18/56

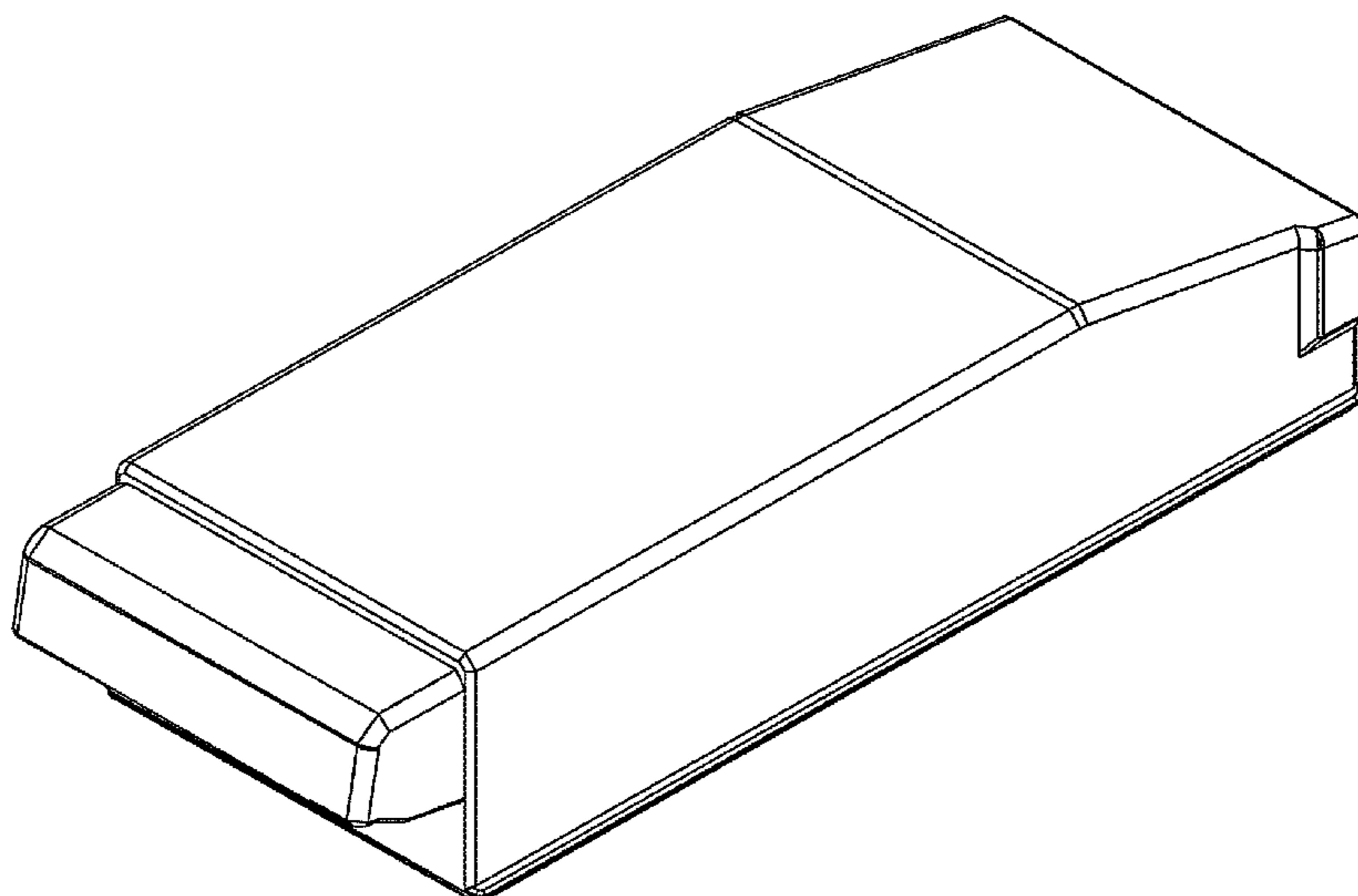
(57) **CLAIM**

The ornamental design for a toner cartridge, as shown and described.

DESCRIPTION

FIG. 1 is a perspective view of top, front, and right side of a toner cartridge;
FIG. 2 is a front view thereof;
FIG. 3 is a rear view thereof;
FIG. 4 is a right side view thereof;
FIG. 5 is a left side view thereof;
FIG. 6 is a top plan view thereof;
FIG. 7 is a bottom plan view thereof; and,
FIG. 8 is a rear perspective view thereof.
The broken lines shown and the areas within the broken lines represent unclaimed subject matter and form no part of the claimed design.

1 Claim, 8 Drawing Sheets



(56)

References Cited

U.S. PATENT DOCUMENTS

D941,391 S * 1/2022 Harvey D18/56
2008/0106575 A1 * 5/2008 Shimizu B41J 29/02
347/49
2008/0136878 A1 * 6/2008 Nozawa B41J 2/17509
347/86
2011/0090294 A1 * 4/2011 Smith B41J 2/1752
347/86
2011/0259886 A1 * 10/2011 Gonzales B41J 2/17553
220/200
2020/0282736 A1 * 9/2020 Zhao B41J 2/1752

* cited by examiner

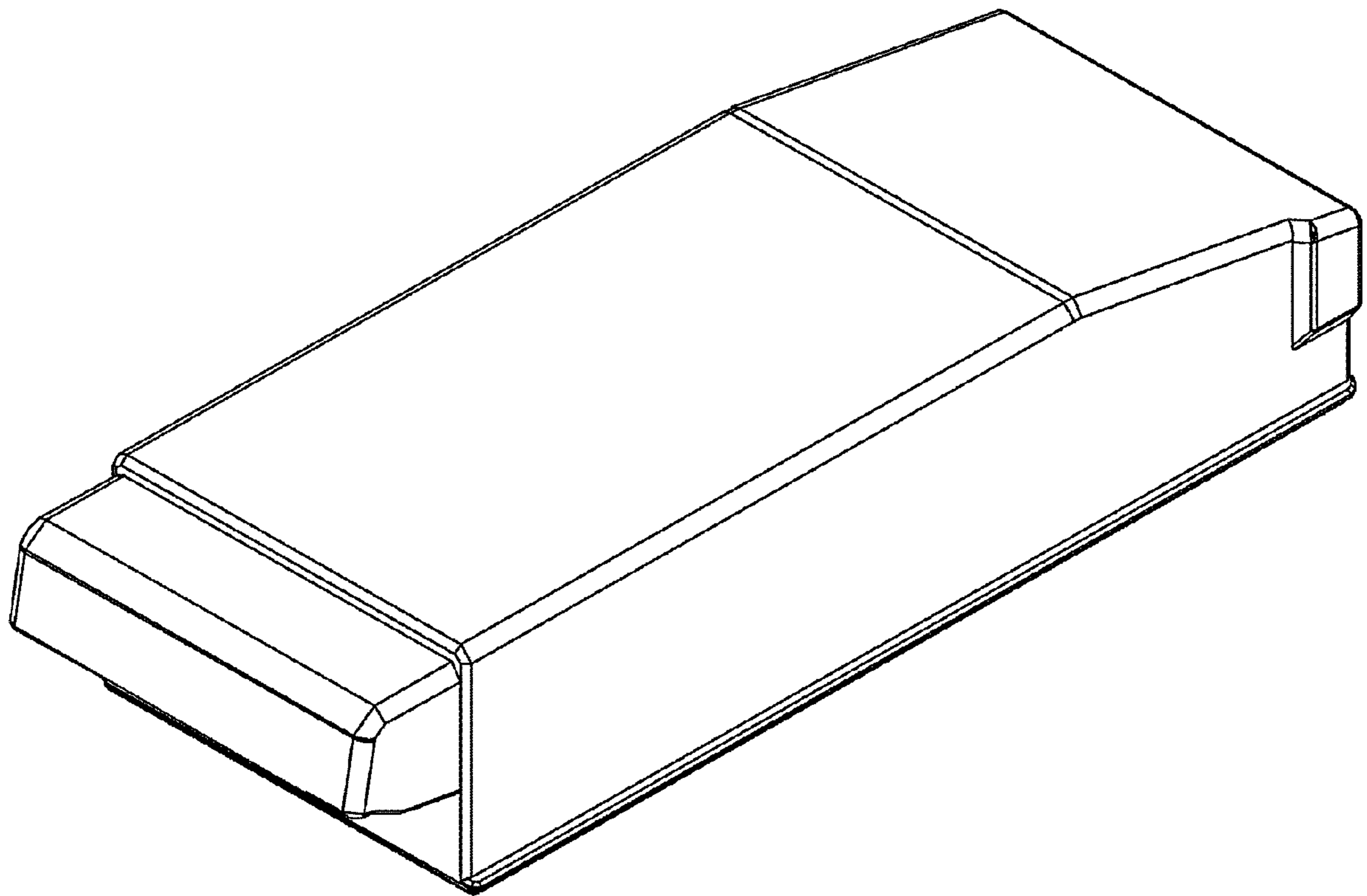


FIG. 1

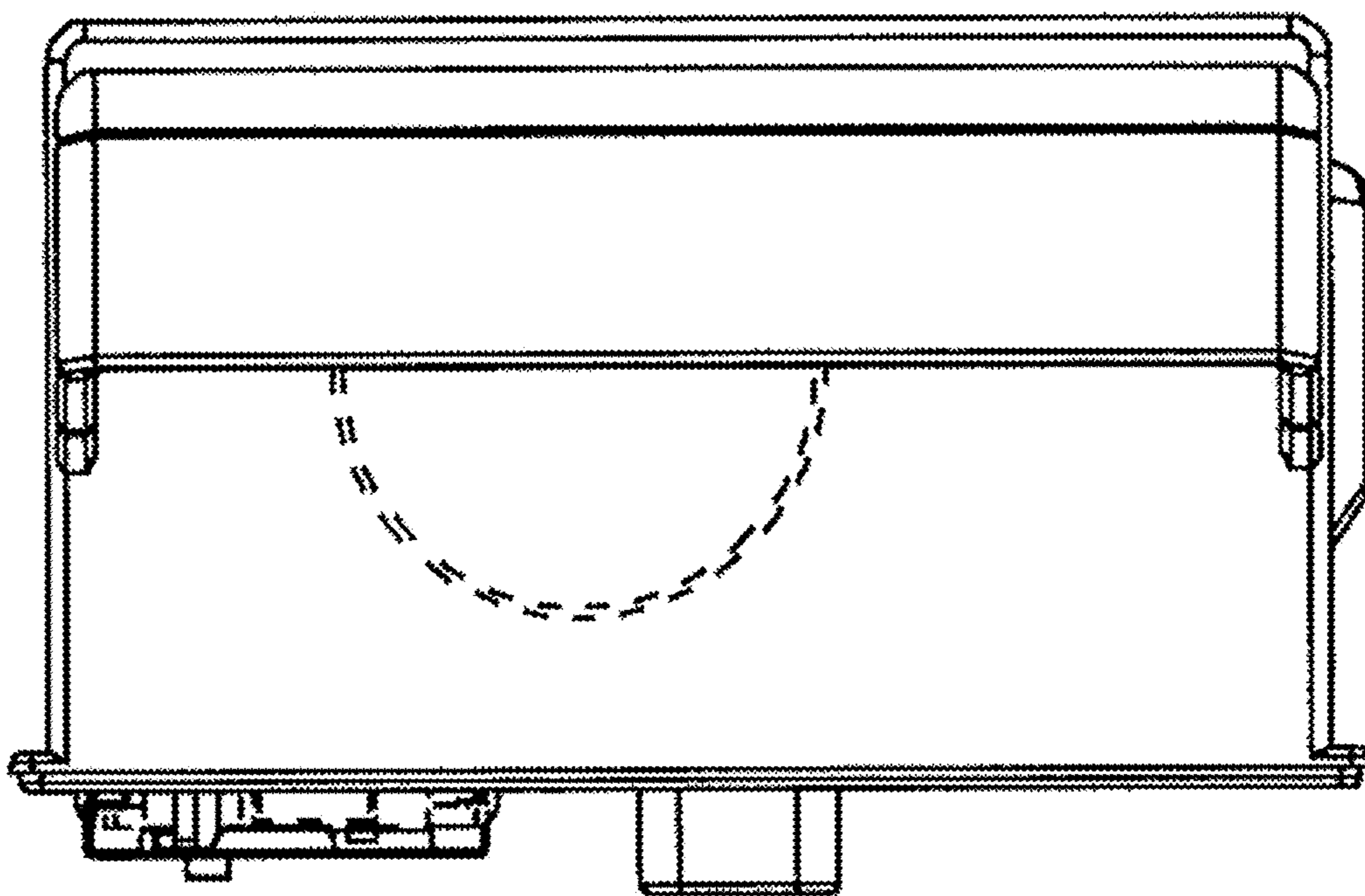


FIG. 2

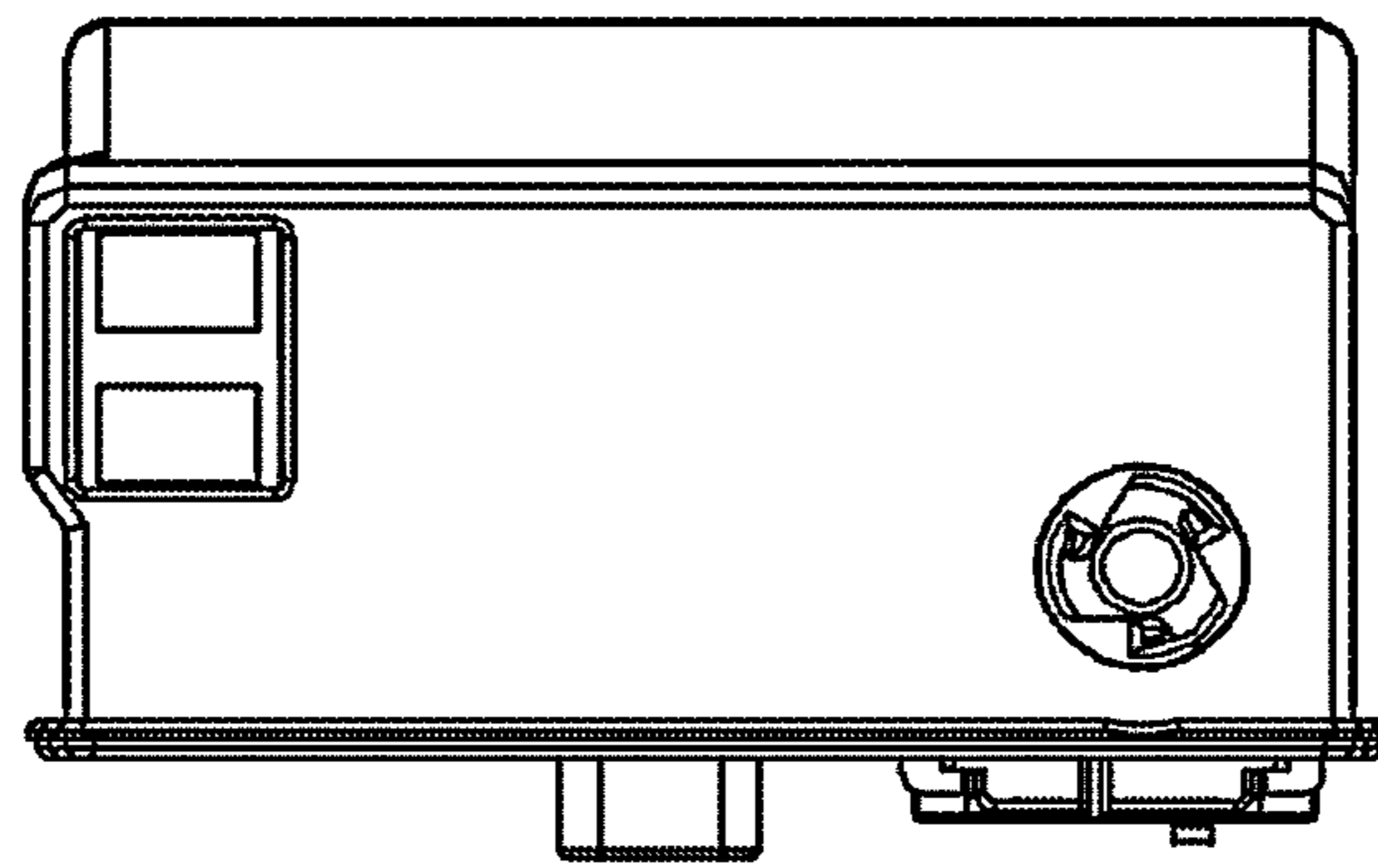


FIG. 3

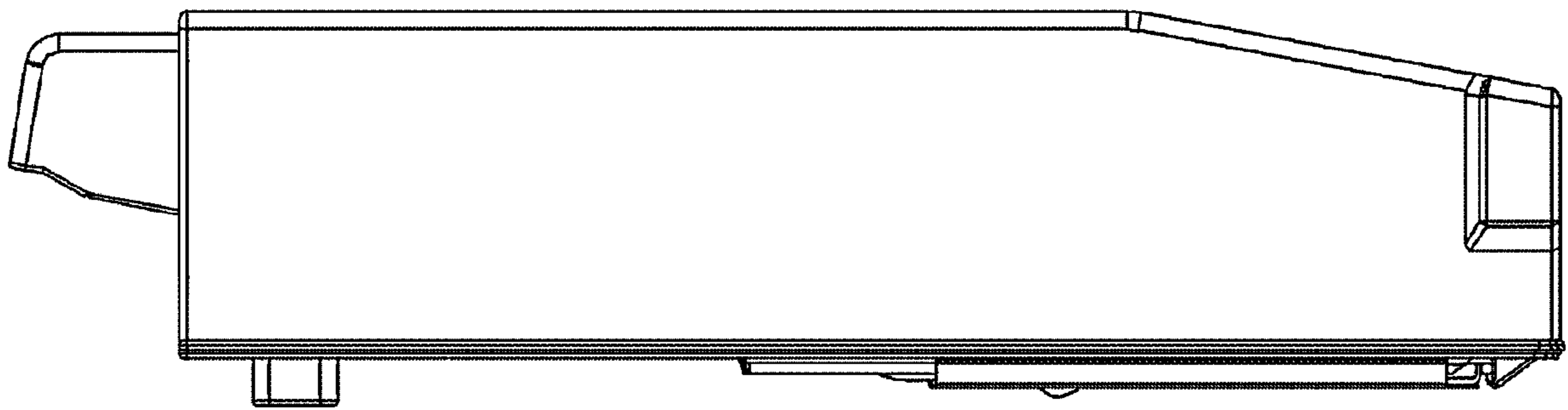


FIG. 4

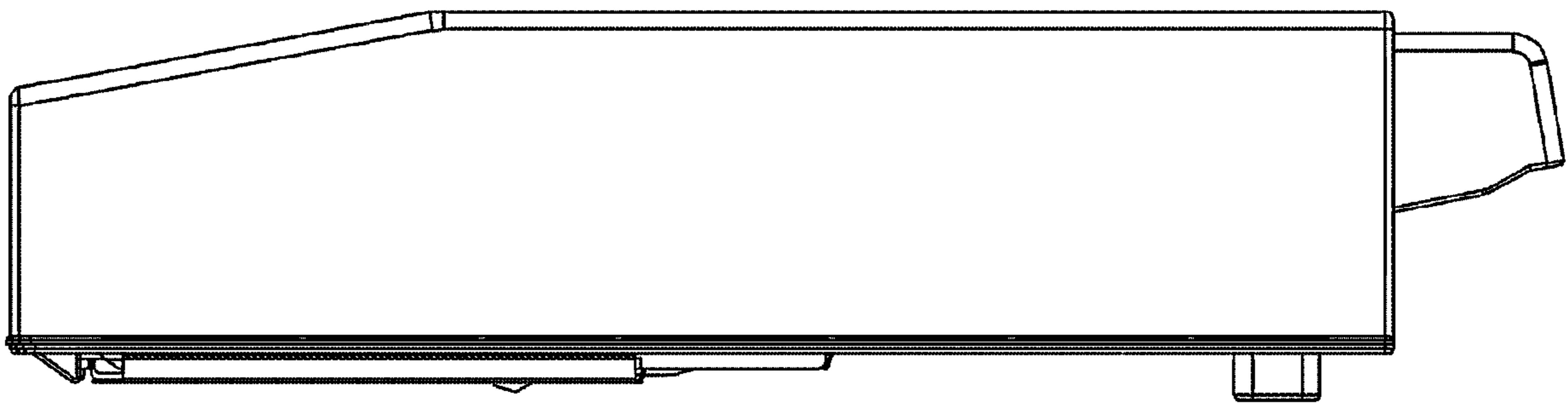


FIG. 5

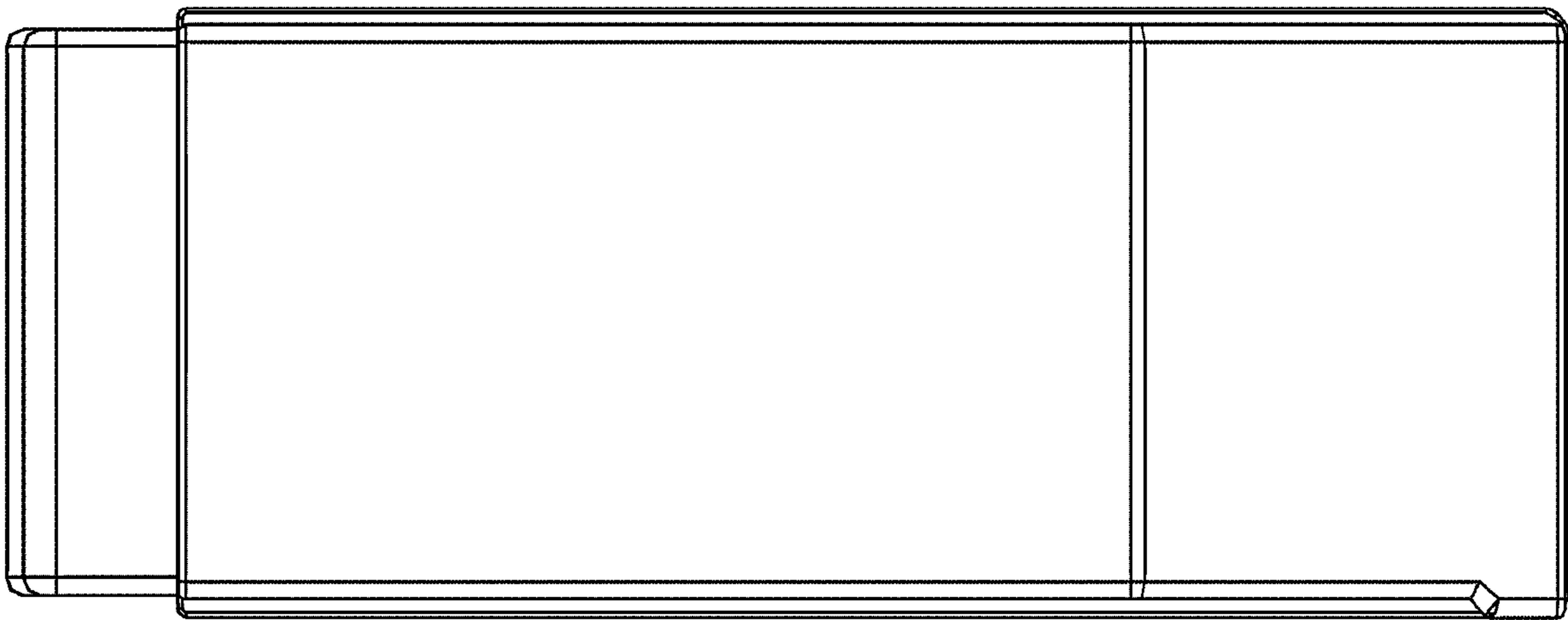


FIG. 6

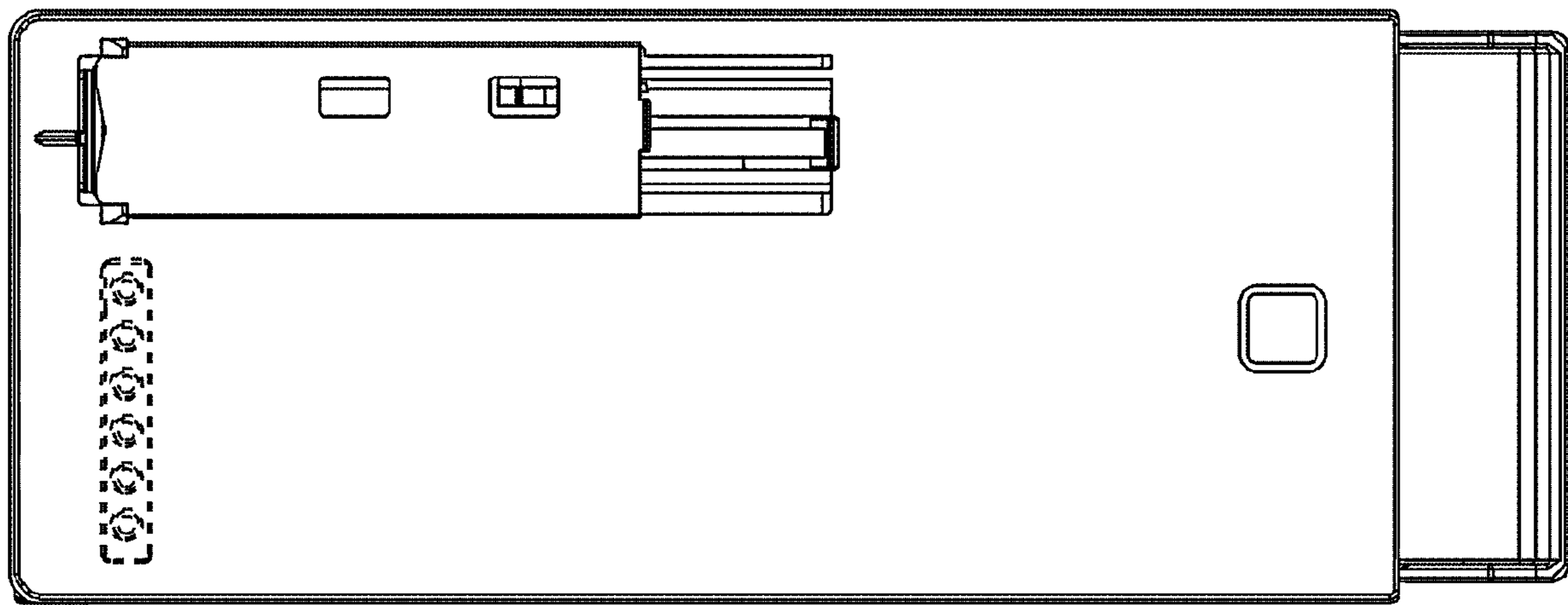


FIG. 7

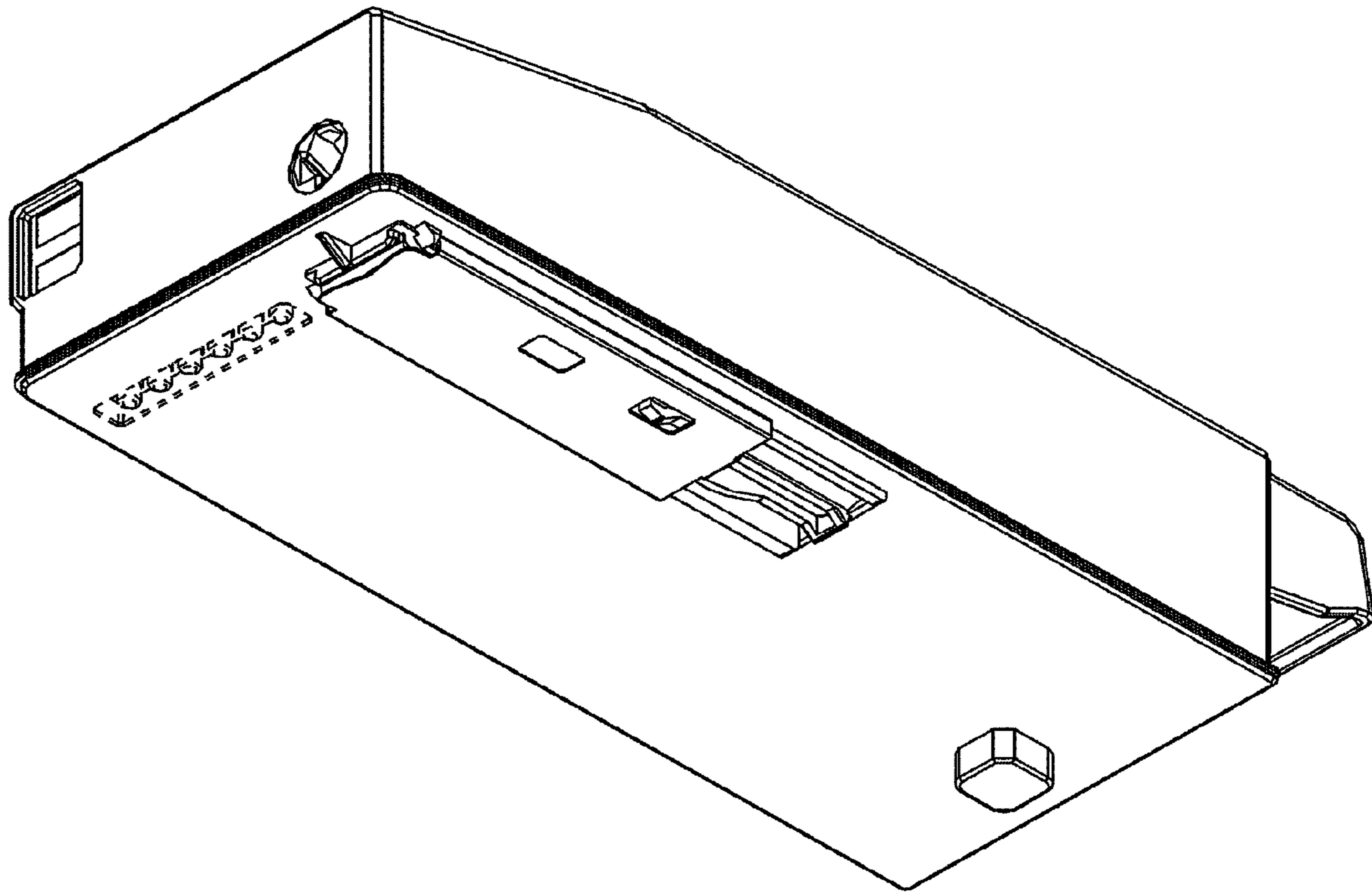


FIG. 8