



US00D967890S

(12) **United States Design Patent**
Nguyen et al.

(10) **Patent No.:** **US D967,890 S**

(45) **Date of Patent:** **** Oct. 25, 2022**

(54) **CAMERA LENS ATTACHMENT**
(71) Applicant: **GoPro, Inc.**, San Mateo, CA (US)
(72) Inventors: **Huy Phuong Nguyen**, San Mateo, CA (US); **Bessy Liang**, San Jose, CA (US); **Jordan Zook Todd**, Piedmont, CA (US)

D750,687 S * 3/2016 Samuels H04N 5/23245
D16/218
D760,312 S * 6/2016 Lee D16/218
D773,547 S * 12/2016 Lee D16/218
D785,068 S * 4/2017 Patsis D16/218
D788,835 S * 6/2017 Wu D16/218
9,743,001 B1 8/2017 Stec
D816,751 S * 5/2018 Harrison D16/200

(Continued)

(73) Assignee: **GoPro, Inc.**, San Mateo, CA (US)

FOREIGN PATENT DOCUMENTS

(**) Term: **15 Years**

EP 1619882 A2 1/2006
WO 2020055511 A1 3/2020

(21) Appl. No.: **29/748,452**

OTHER PUBLICATIONS

(22) Filed: **Aug. 28, 2020**

U.S. Appl. No. 16/803,139, filed Feb. 27, 2020, Crow et al., entitled Heatsink of an Image Capture Device.

(51) **LOC (13) Cl.** **16-05**

(52) **U.S. Cl.**
USPC **D16/219**

(Continued)

(58) **Field of Classification Search**
USPC D14/172, 194, 204, 221; D16/200–205, D16/208, 217–219; 348/148, 373–376; 396/529, 535–541
CPC G03B 15/03; G03B 17/02; G03B 17/04; G03B 17/56; G03B 19/04; H04N 5/2251; H04N 5/2252; H04N 5/2253; H04N 5/2254; H04N 2101/00

Primary Examiner — Ramzi Almatrahi
(74) *Attorney, Agent, or Firm* — Young Basile Hanlon & MacFarlane, P.C.

See application file for complete search history.

(57) **CLAIM**

The ornamental design for a camera lens attachment, as shown and described.

(56) **References Cited**

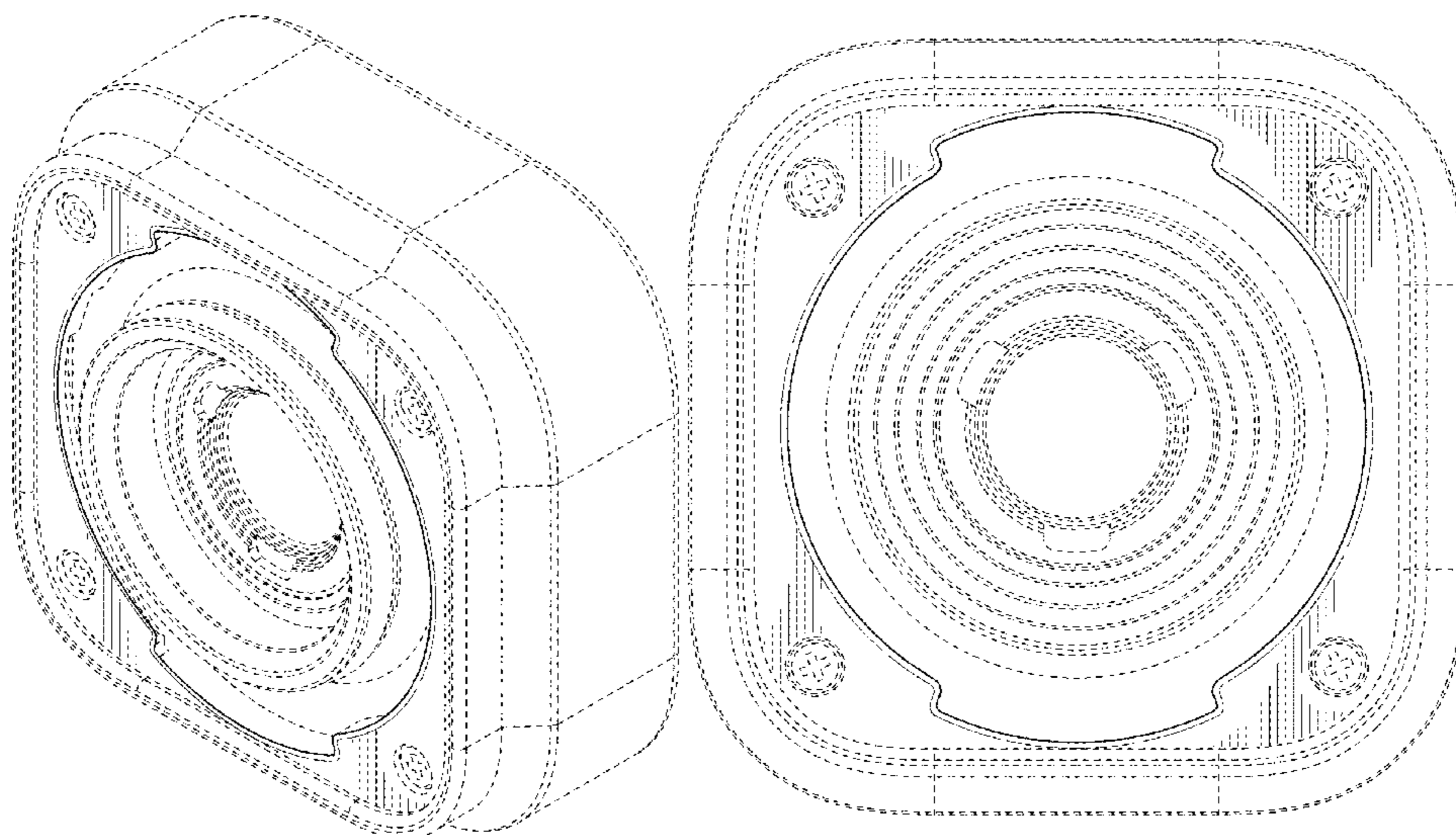
DESCRIPTION

U.S. PATENT DOCUMENTS

2,186,610 A 1/1940 Leavitt
3,133,140 A 5/1964 Winchell
4,451,130 A 5/1984 Yan
5,077,567 A 12/1991 Haraguchi
5,828,406 A 10/1998 Parulski
6,079,883 A 6/2000 Mori
7,161,749 B2 1/2007 Sakurai
7,717,630 B1 5/2010 Wan
8,294,988 B2 10/2012 Cook
D727,387 S * 4/2015 Hasegawa D16/203
D730,423 S * 5/2015 Vandenbussche D16/218
D745,589 S * 12/2015 Lee D16/218

FIG. 1 is a top, front and right side perspective view of a camera lens attachment showing our new design; FIG. 2 is a top, rear and left side perspective view thereof; FIG. 3 is a front elevation view thereof; FIG. 4 is a rear elevation view thereof; FIG. 5 is a right side elevation view thereof; FIG. 6 is a left side elevation view thereof; FIG. 7 is a top plan view thereof; and, FIG. 8 is a bottom plan view thereof. The broken lines depict portions of the camera lens attachment that form no part of the claimed design.

1 Claim, 8 Drawing Sheets



(56)

References Cited

U.S. PATENT DOCUMENTS

9,995,990	B2	6/2018	Lim	
D848,500	S *	5/2019	Miyashita	D16/242
D858,603	S *	9/2019	Ye	D16/203
10,401,705	B2	9/2019	Lim	
10,701,249	B1	6/2020	Guo	
D893,576	S *	8/2020	Kyte	D16/202
10,845,675	B2	11/2020	Lim	
D917,598	S *	4/2021	Ye	D16/203
2004/0240870	A1	12/2004	Stiehler	
2006/0007551	A1	1/2006	Sakurai	
2008/0094708	A1	4/2008	Huang	
2009/0002823	A1	1/2009	Law	
2009/0091827	A1	4/2009	Gauger	
2010/0149408	A1	6/2010	Ito	
2010/0302638	A1	12/2010	Cuadra	
2013/0028590	A1	1/2013	Hasuda	
2013/0071101	A1	3/2013	Idera	
2013/0129338	A1	5/2013	Dowell	
2014/0043733	A1	2/2014	Huang	
2015/0093104	A1	4/2015	Clyne	
2016/0066459	A1	3/2016	Rayner	
2016/0181722	A1	6/2016	Tsai	
2017/0102512	A1	4/2017	Yamaoda	
2017/0102513	A1	4/2017	Ogata	
2018/0017785	A1	1/2018	Bulgajewski	
2018/0091775	A1	3/2018	Jung	
2018/0143512	A1	5/2018	Campbell	
2019/0158709	A1	5/2019	Petty	
2019/0208099	A1	7/2019	Cotoros	
2019/0342473	A1	11/2019	Clearman	
2020/0026023	A1	1/2020	Nagaoka	
2021/0274067	A1	9/2021	Crow	

OTHER PUBLICATIONS

International Search Report and Written Opinion for App. No. PCT/US2021/024462, dated Jul. 8, 2021, 10 pages.

International Search Report and Written Opinion for App. No. PCT/US2021/037757, dated Oct. 7, 2021, 6 pages.
 International Search Report and Written Opinion for App. No. PCT/US2020/042749, dated Apr. 15, 2021, 10 pages.
 Wikipedia, Magic number (programming), https://en.wikipedia.org/wiki/Magic_number_%28programming%29, retrieved on Aug. 4, 2020, 8 pages.
 Geometric Image Transformations, https://docs.opencv.org/2.4/modules/imgproc/doc/geometric_transformations.html?highlight=resize#cv2.resize, OpenCV2.4.13.7, retrieved on Aug. 4, 2020, 11 pages.
 Wikipedia, Histogram, https://en.wikipedia.org/wiki/Histogram#Cumulative_histogram, retrieved on Aug. 4, 2020, 7 pages.
 Wikipedia, Median absolute deviation, https://en.wikipedia.org/wiki/Median_absolute_deviation, retrieved on Aug. 4, 2020, 3 pages.
 Miscellaneous Image Transformations, https://docs.opencv.org/2.4/modules/imgproc/doc/miscellaneous_transformations.html#cvtColor, OpenCV2.4.13.7, retrieved on Aug. 4, 2020, 12 pages.
 Structural Analysis and Shape Descriptors, https://docs.opencv.org/2.4/modules/imgproc/doc/structural_analysis_and_shape_descriptors.html?highlight=minenclosingcircle#minenclosingcircle, retrieved on Aug. 4, 2020, 27 pages.
 Wikipedia, Random sample consensus, https://en.wikipedia.org/wiki/Random_sample_consensus, retrieved on Aug. 4, 2020, 5 pages.
 scipy.optimize.minimize, <https://docs.scipy.org/doc/scipy/reference/generated/scipy.optimize.minimize.html>, retrieved on Aug. 4, 2020, 6 pages.
 Structural Analysis and Shape Descriptors, https://docs.opencv.org/3.4/d3/dc0/group_imgproc_shape.html#ga17ed9f5d79ae97bd4c7cf18403e1689a, OpenCV, retrieved on Aug. 4, 2020, 12 pages.
 Wikipedia, YUV, <https://en.wikipedia.org/wiki/YUV>, retrieved on Aug. 4, 2020, 9 pages.

* cited by examiner

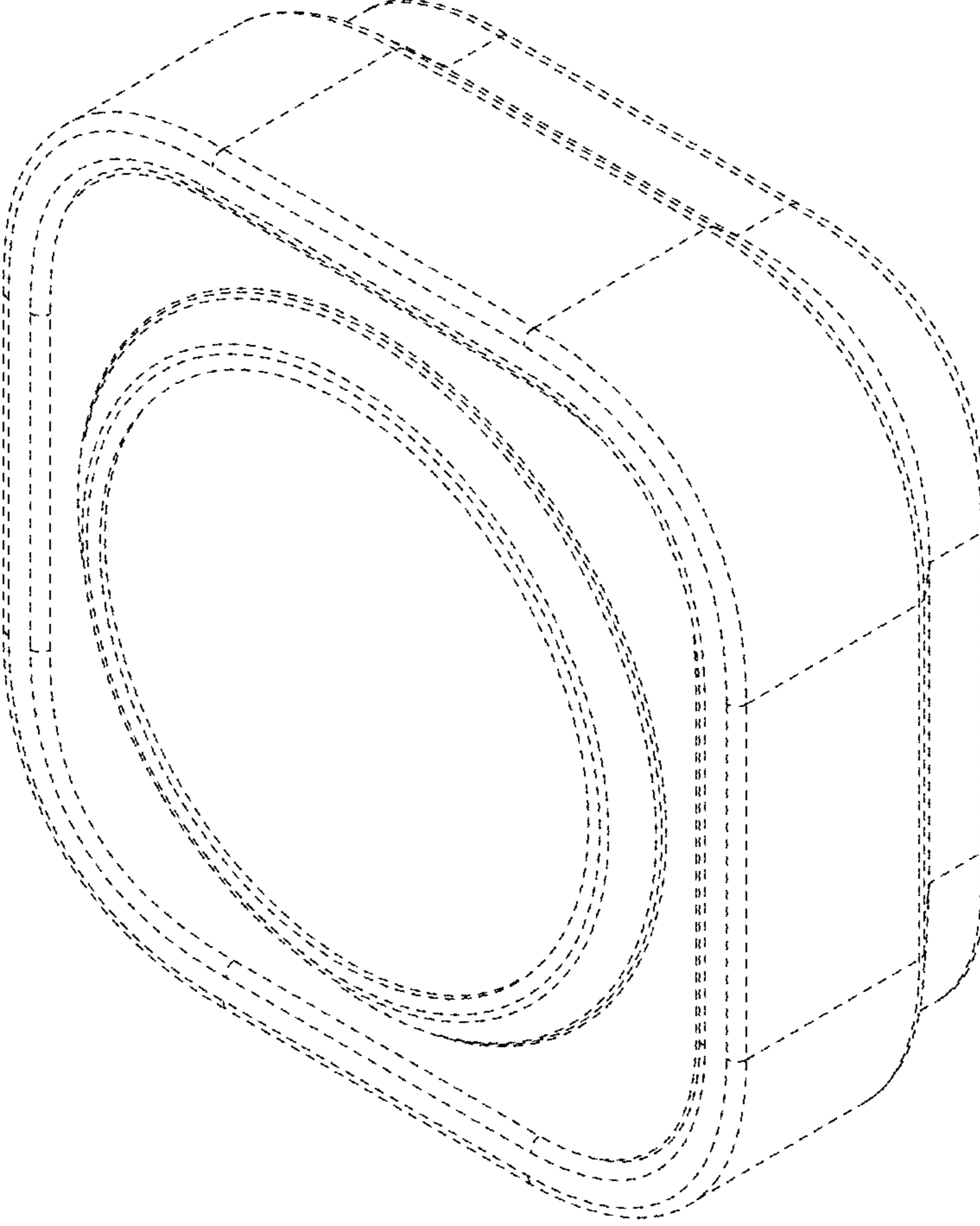


FIG. 1

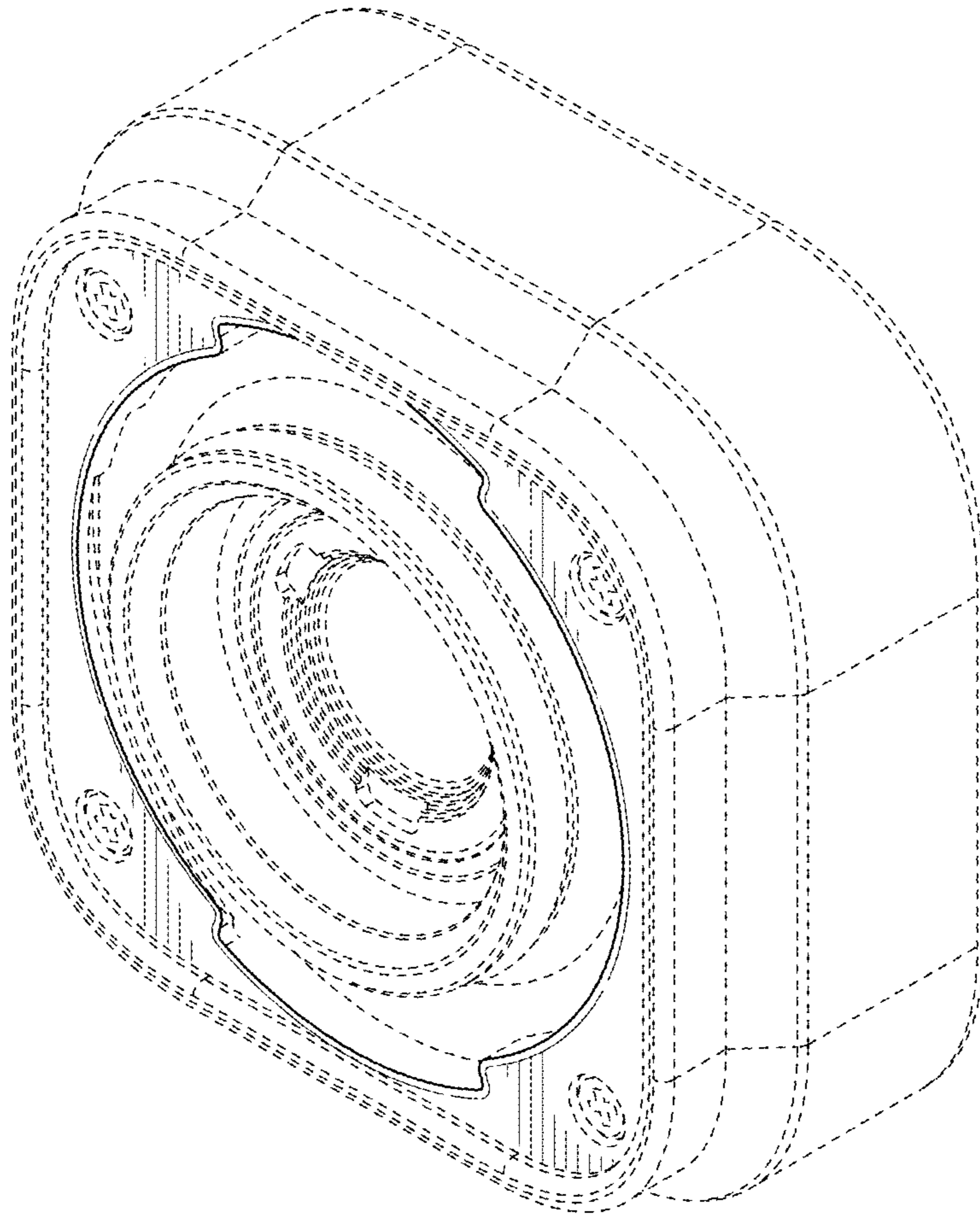


FIG. 2

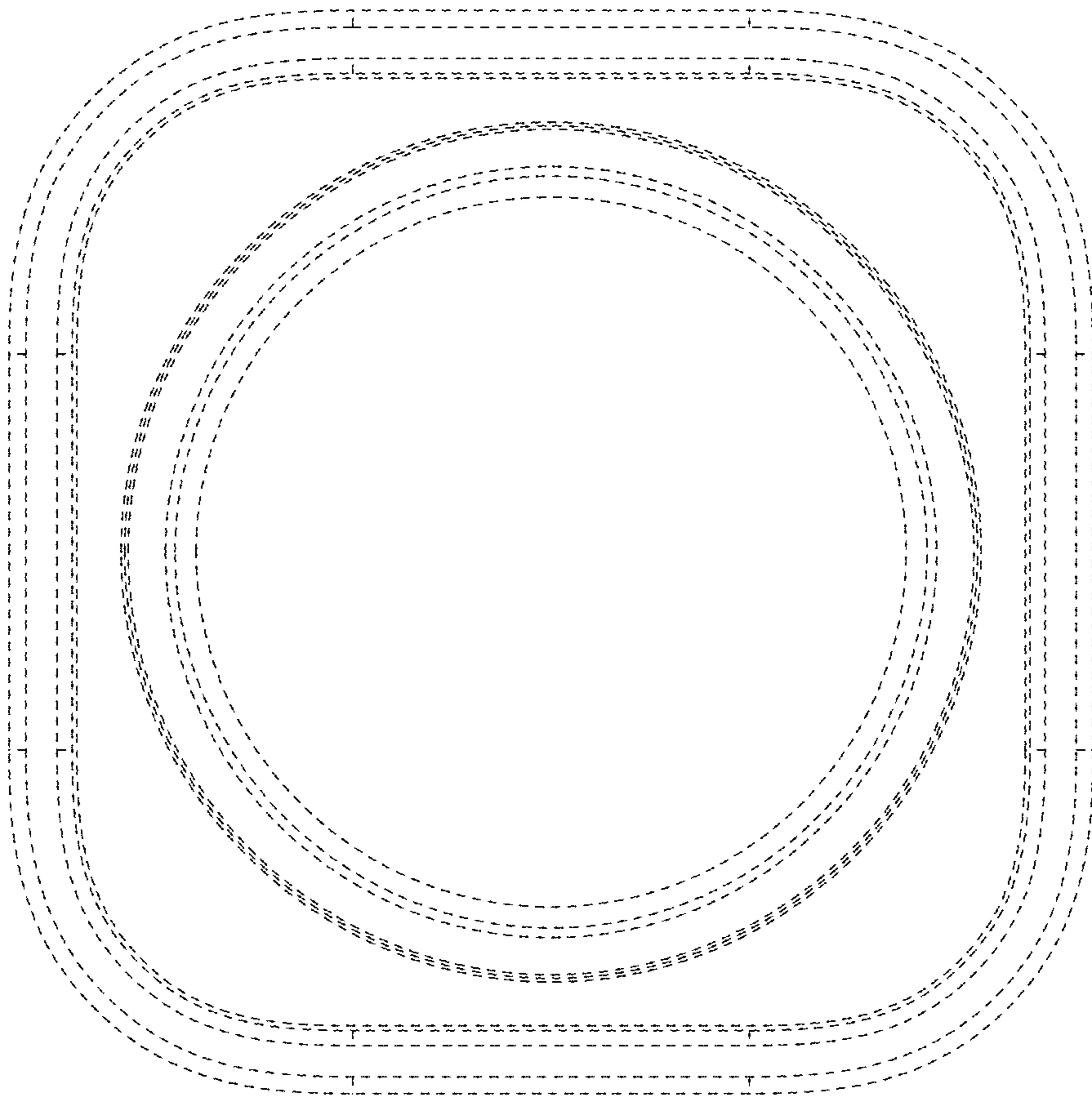


FIG. 3

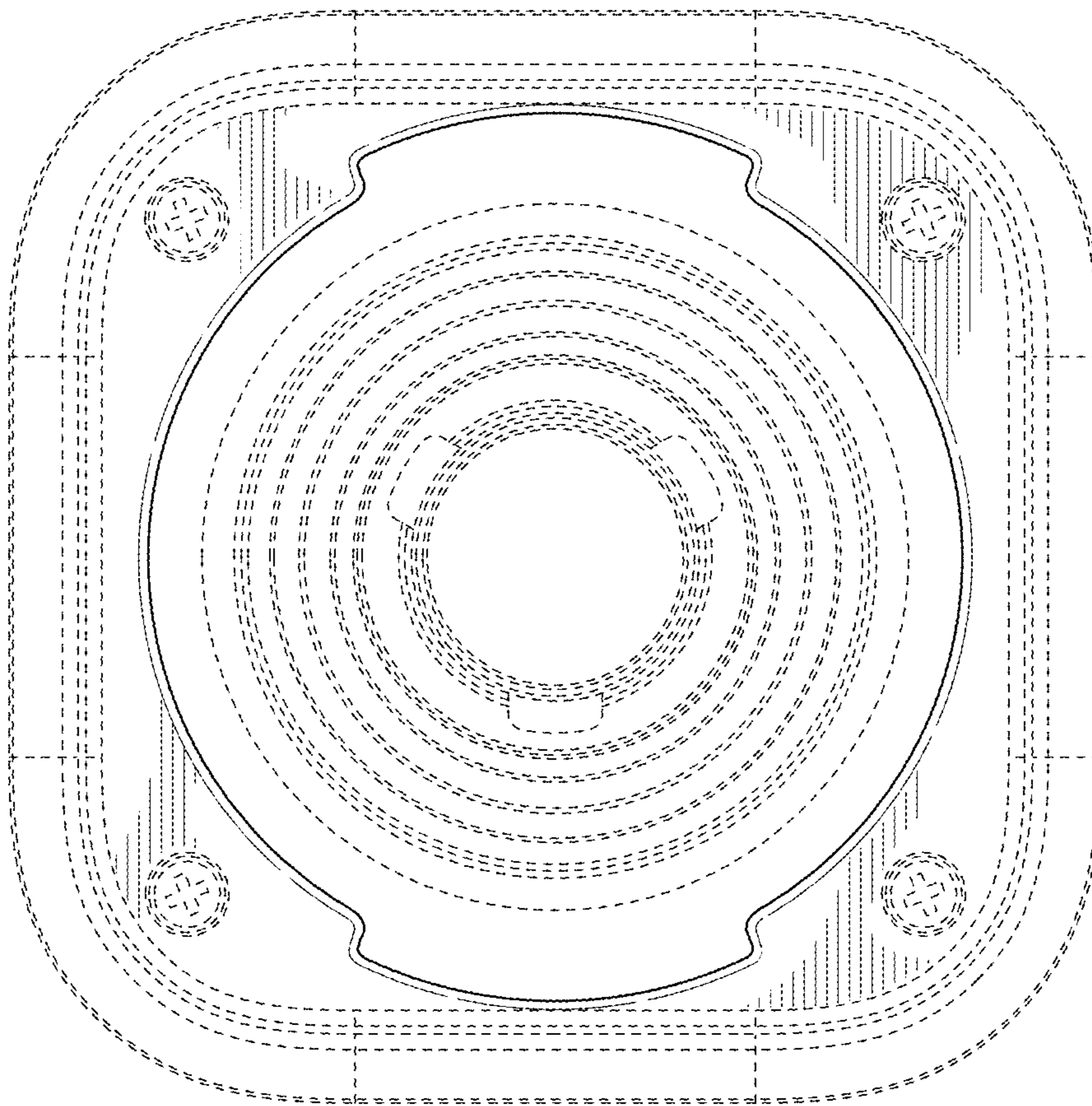


FIG. 4

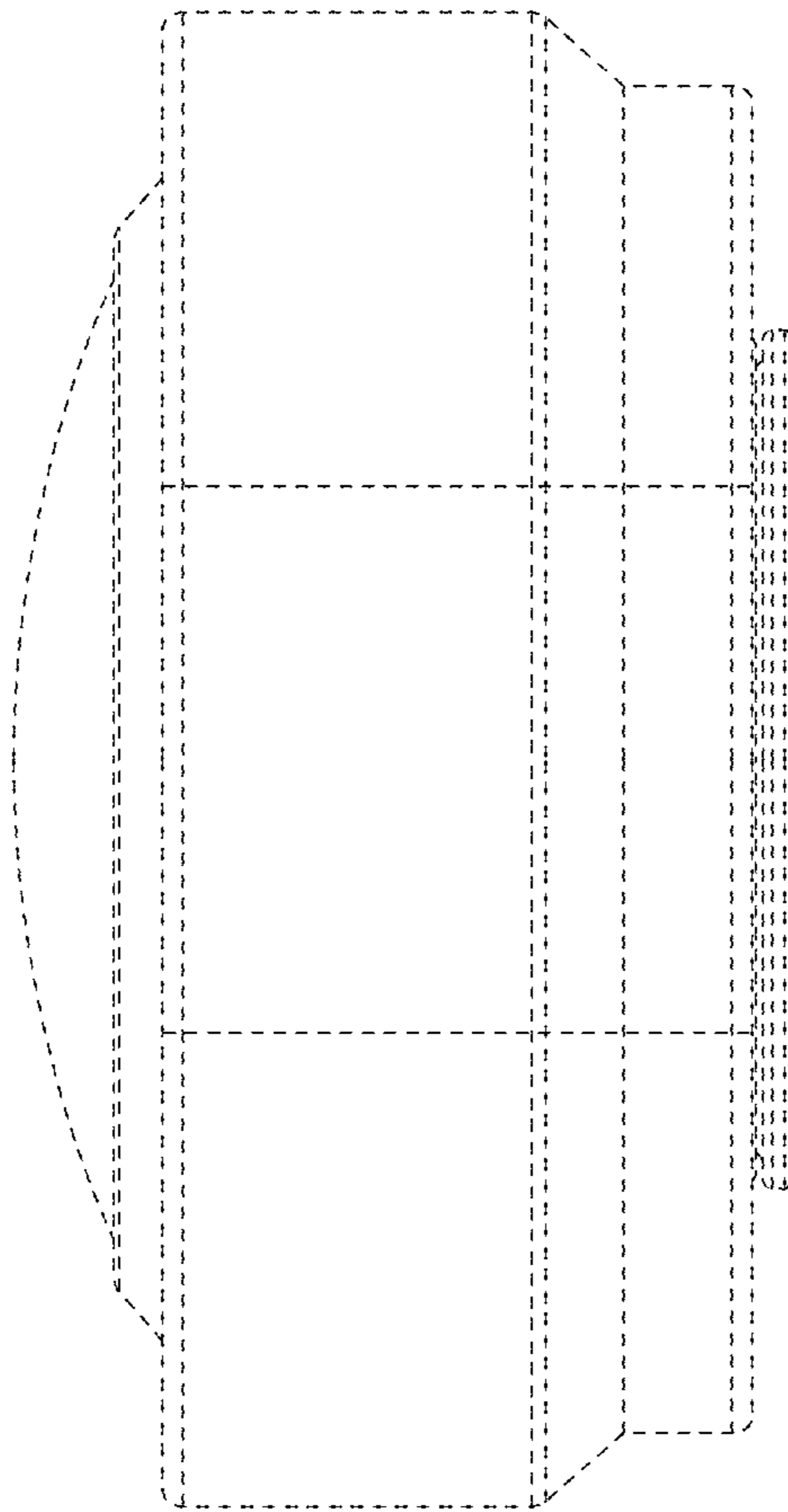


FIG. 5

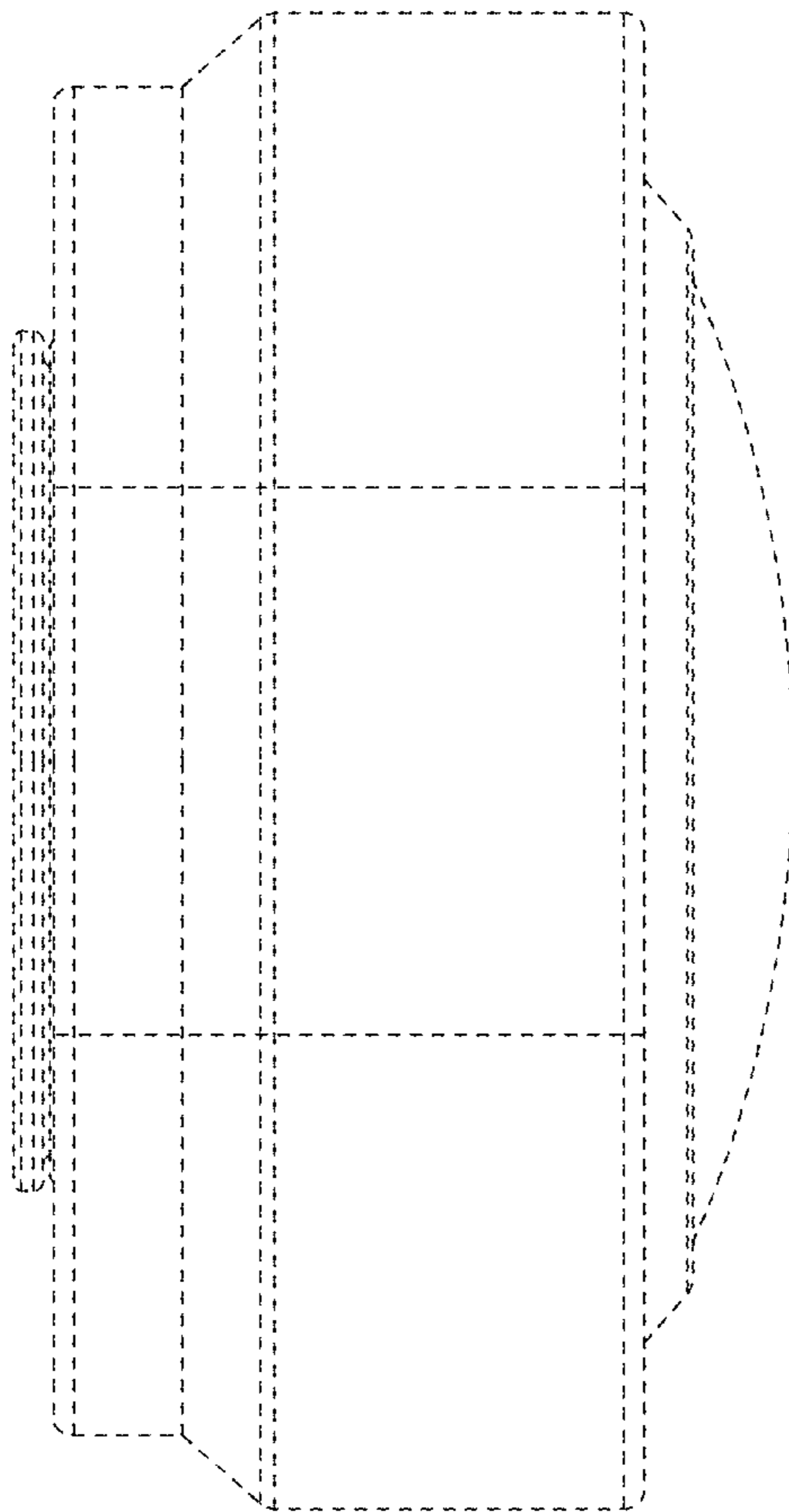


FIG.6

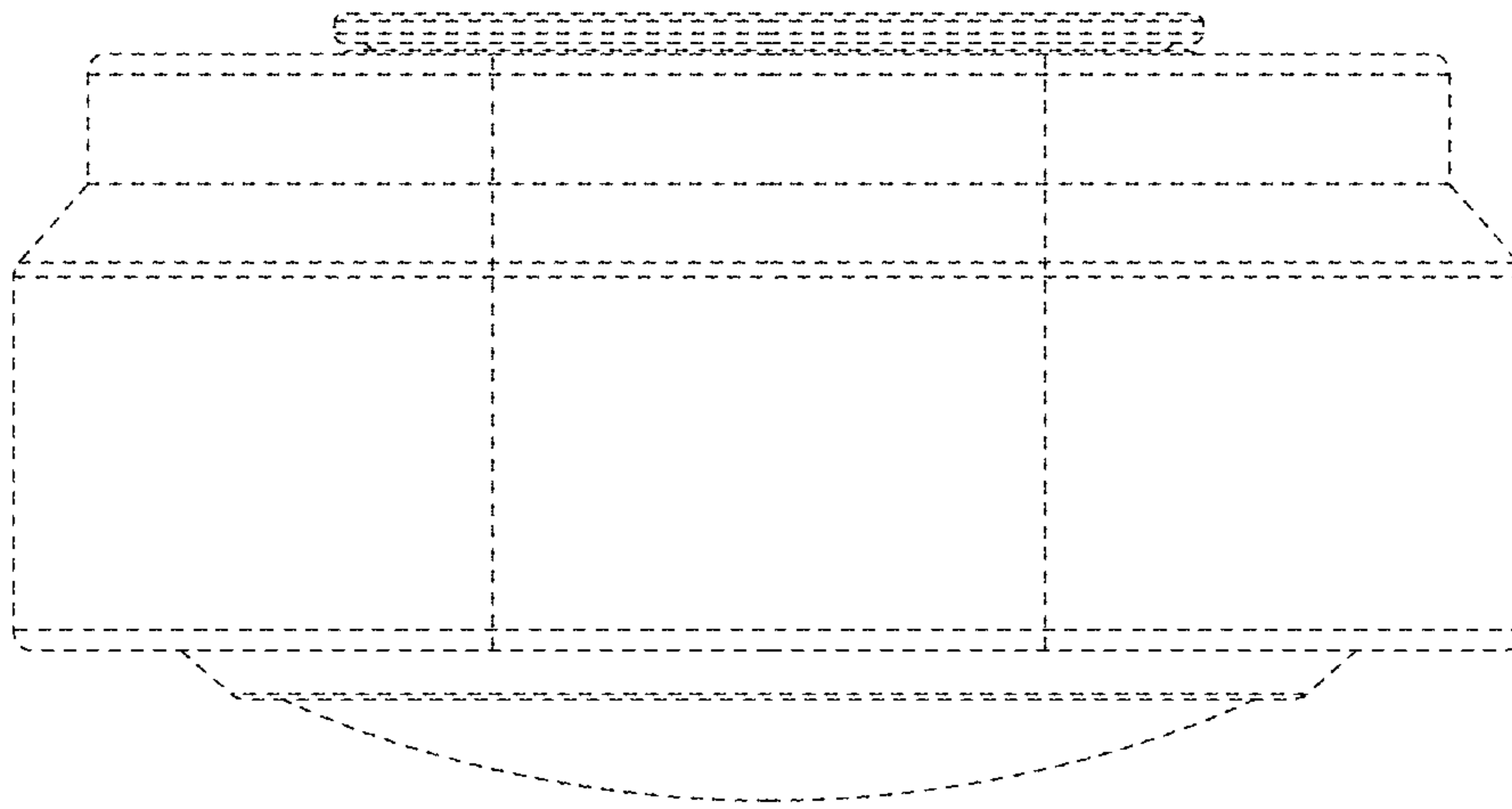


FIG. 7

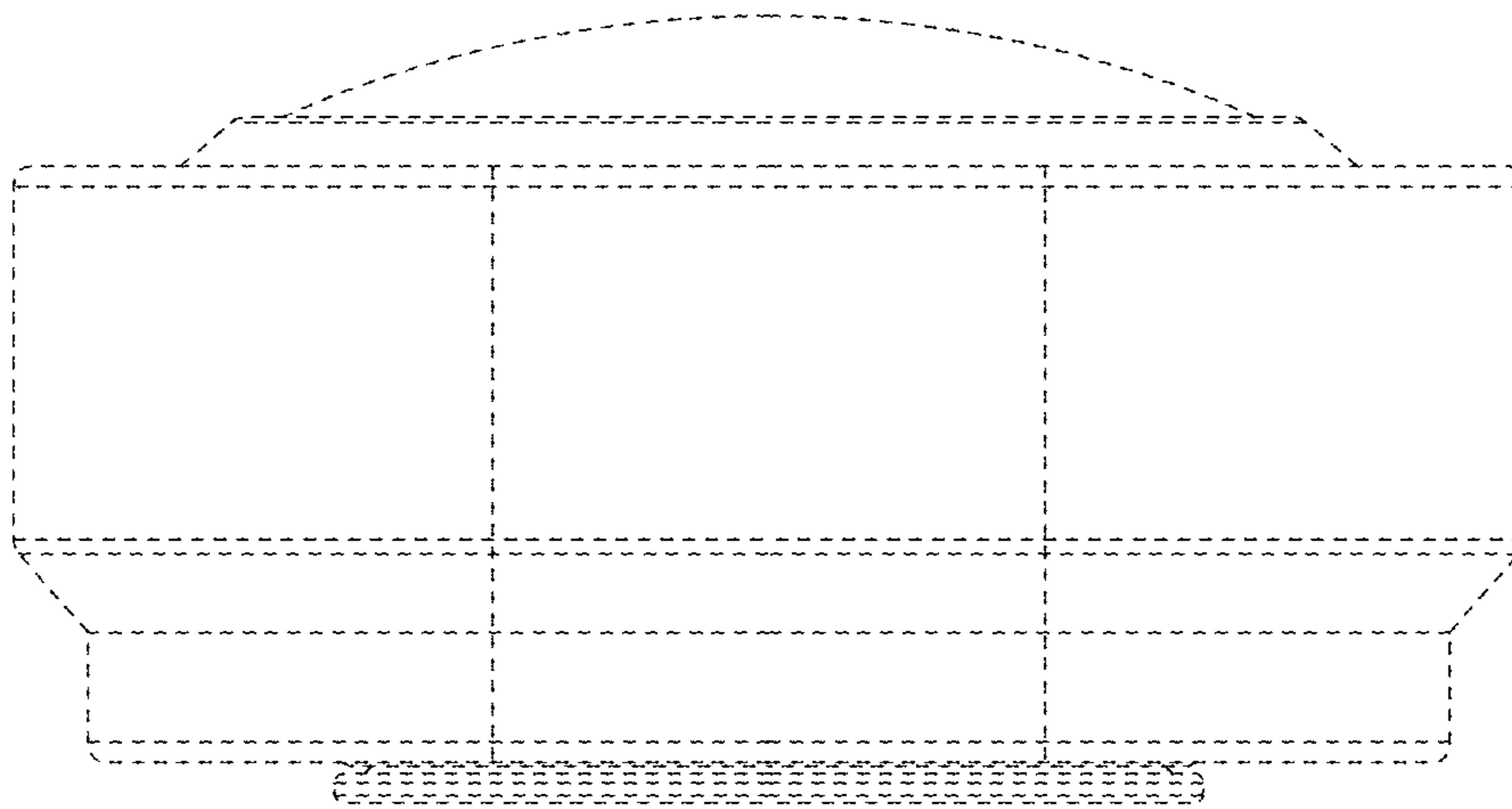


FIG. 8