



US00D967886S

(12) **United States Design Patent**
Zhang et al.

(10) **Patent No.:** **US D967,886 S**
(45) **Date of Patent:** **** Oct. 25, 2022**

(54) **MONITORING CAMERA**

(71) Applicant: **HUAWEI TECHNOLOGIES CO., LTD.**, Shenzhen (CN)

(72) Inventors: **Haiyang Zhang**, Dongguan (CN);
Yanping Liu, Dongguan (CN)

(73) Assignee: **HUAWEI TECHNOLOGIES CO., LTD.**, Shenzhen (CN)

(**) Term: **15 Years**

(21) Appl. No.: **29/764,115**

(22) Filed: **Dec. 28, 2020**

(30) **Foreign Application Priority Data**

Apr. 24, 2020 (CN) 202030174859.0

(51) **LOC (13) Cl.** **16-01**

(52) **U.S. Cl.**
USPC **D16/203**

(58) **Field of Classification Search**

USPC D16/200–204, 207–208, 218–219;
D10/46, 61, 62, 65, 70, 71, 104.1, 106.6,
D10/106.7; D14/203.1, 204, 209.1, 496
CPC G03B 15/03; G03B 17/02; G03B 17/04;
G03B 17/56; G03B 19/04; H04N 7/141;
H04N 7/142; H04N 7/147; H04N 7/148;
H04N 7/15; H04N 7/152; H04N 5/2251;

(Continued)

(56) **References Cited**

U.S. PATENT DOCUMENTS

D239,054 S * 3/1976 Pagano D16/202
D414,504 S * 9/1999 Madden D16/203

(Continued)

FOREIGN PATENT DOCUMENTS

CN 305321860 * 8/2019
JP D1532778 * 9/2015
KR 300830182.0000 * 12/2015

OTHER PUBLICATIONS

“Pelco S6230-ESGL1US 2 Megapixel Spectra Enhanced Low Light HD Pendant Environmental Network Stainless Steel PTZ Dome Camera, 30X, Clear, Gray, US” from Surveillance-video.com, first retrieved on Mar. 29, 2022 from the internet <https://www.surveillance-video.com/camera-s6230-esgl1us.html?gclid=EALalQobChMlmlfQXwu3p9glVmYvICh2OPgykEAQYBiABEgKgrPD_BwE> (Year: 2022).*

(Continued)

Primary Examiner — Rosemary K Tarca

Assistant Examiner — Lacey Chey Bowman

(74) *Attorney, Agent, or Firm* — Maier & Maier, PLLC

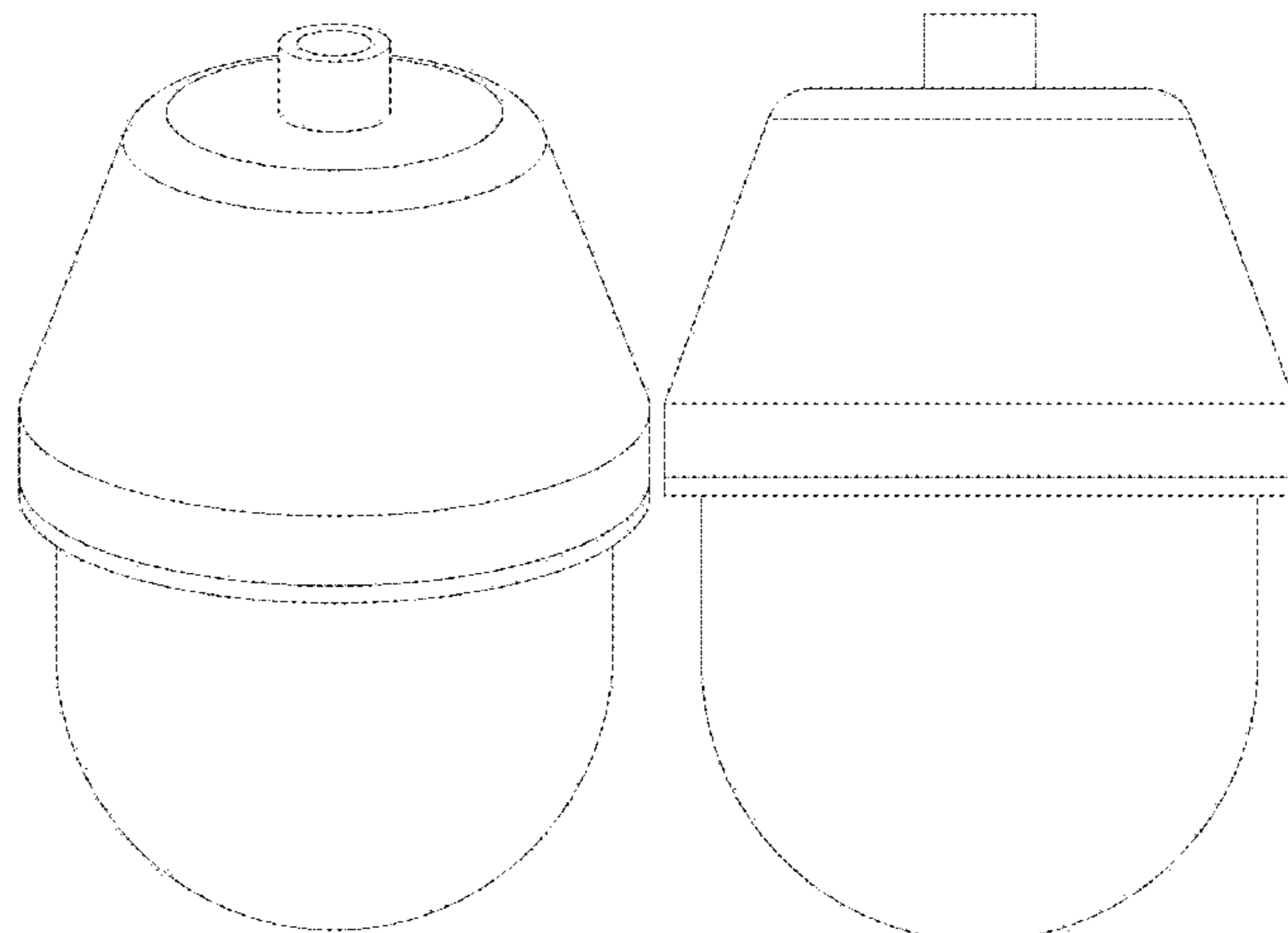
(57) **CLAIM**

The ornamental design for a monitoring camera, as shown and described.

DESCRIPTION

FIG. 1 is a front perspective view of a first embodiment of a monitoring camera, showing our new design;
FIG. 2 is a front view thereof;
FIG. 3 is a left side view thereof;
FIG. 4 is a top view thereof;
FIG. 5 is a bottom view thereof;
FIG. 6 is a front perspective view of a second embodiment of a monitoring camera, showing our new design;
FIG. 7 is a front view thereof;
FIG. 8 is a left side view thereof;
FIG. 9 is a top view thereof;
FIG. 10 is a bottom view thereof;
FIG. 11 is a front perspective view of a third embodiment of a monitoring camera, showing our new design;
FIG. 12 is a front view thereof;
FIG. 13 is a left side view thereof;
FIG. 14 is a top view thereof; and,
FIG. 15 is a bottom view thereof.

1 Claim, 15 Drawing Sheets



(58) **Field of Classification Search**

CPC .. H04N 5/2252; H04N 5/2253; H04N 5/2254;
H04N 5/23216; H04N 5/232939; H04N
2101/00; H04N 2007/145

See application file for complete search history.

(56) **References Cited**

U.S. PATENT DOCUMENTS

D473,887	S	*	4/2003	Jones	D16/203
D503,183	S	*	3/2005	Arbuckle	D16/203
D552,651	S	*	10/2007	Arbuckle	D16/202
D568,361	S	*	5/2008	Arnold	D16/202
D615,115	S	*	5/2010	Arnold	D16/203
D636,804	S	*	4/2011	Anneback	D16/203
D636,805	S	*	4/2011	Anneback	D16/203
D667,860	S	*	9/2012	Lee	D16/203
D701,258	S	*	3/2014	Huang	D16/203
D702,275	S	*	4/2014	Ying	D16/203
D753,753	S	*	4/2016	Moon	D16/203
D791,849	S	*	7/2017	Zhang	D16/203
D791,850	S	*	7/2017	Zhang	D16/203
D791,851	S	*	7/2017	Zhang	D16/203
D792,918	S	*	7/2017	Zhang	D16/203
D815,174	S	*	4/2018	Holbrook	D16/203
D849,112	S	*	5/2019	Katori	D16/203

OTHER PUBLICATIONS

“Pelco S6230-EGL1 2 Megapixel Spectra Enhanced Low Light HD Pendant Environmental Network PTZ Dome Camera, 30X, Clear, Gray” from Surveillance-video.com, first retrieved on Mar. 29, 2022 from the internet <<https://www.surveillance-video.com/camera-s6230-egl1.html>> (Year: 2022).*

* cited by examiner

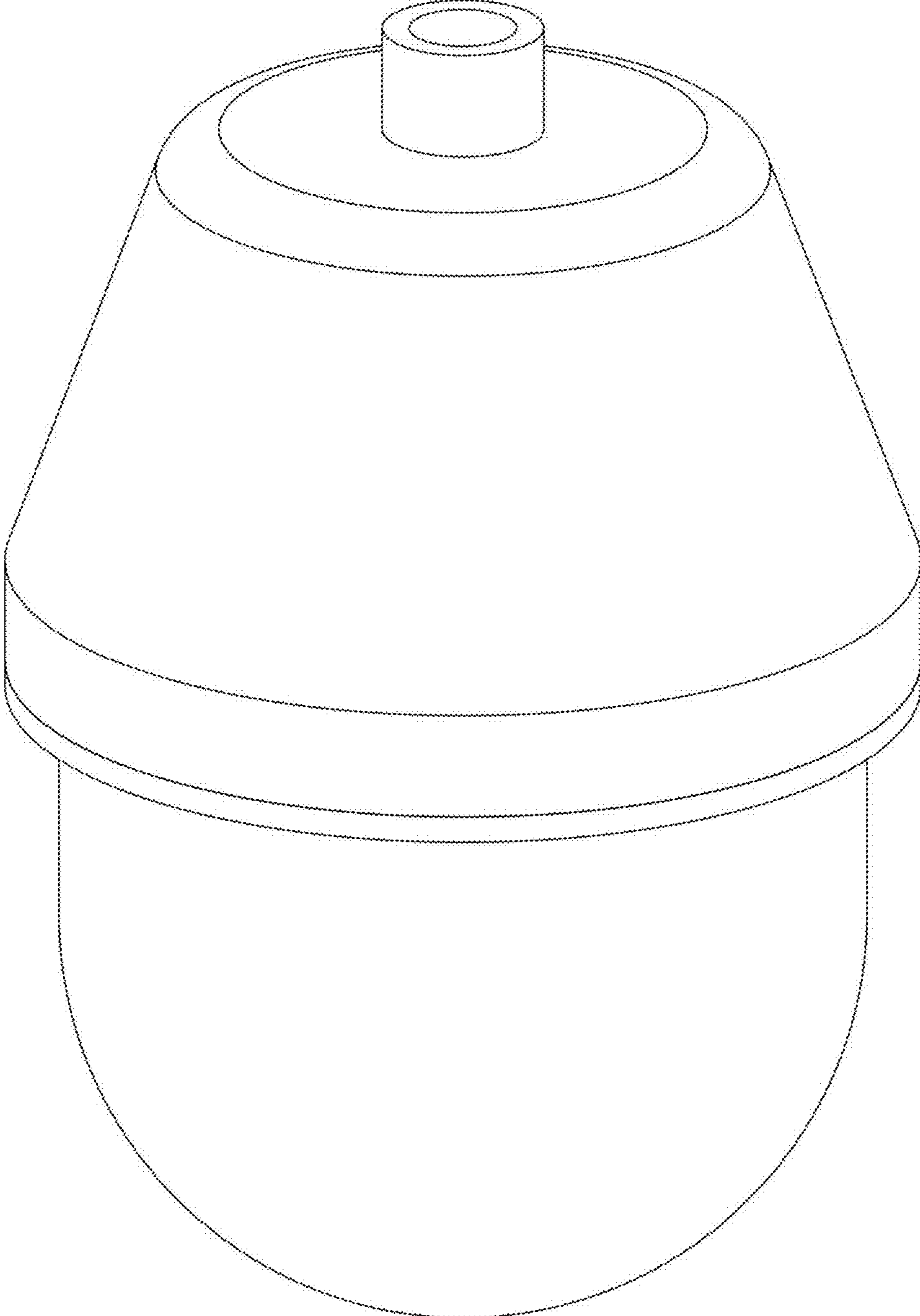


FIG. 1

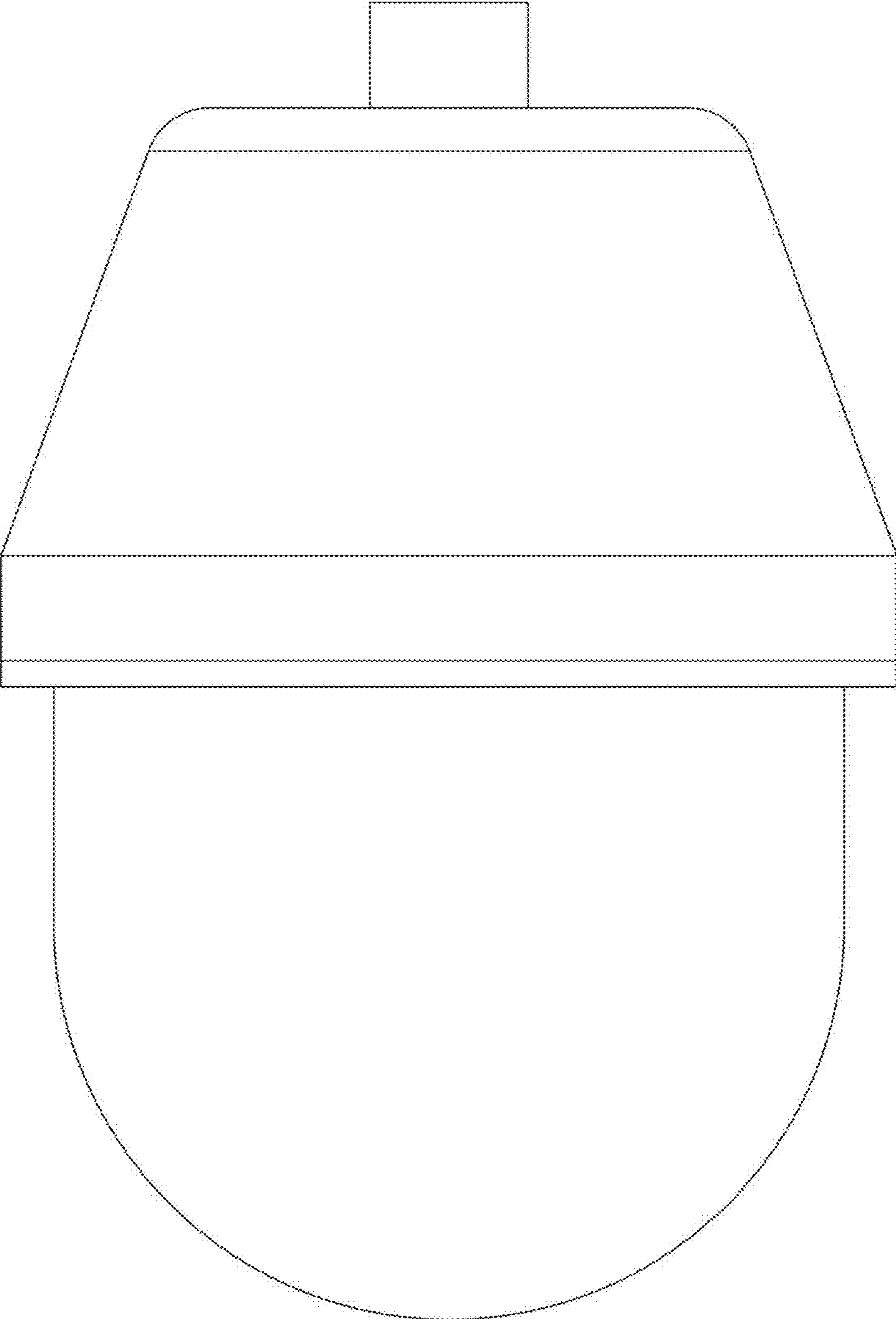


FIG. 2

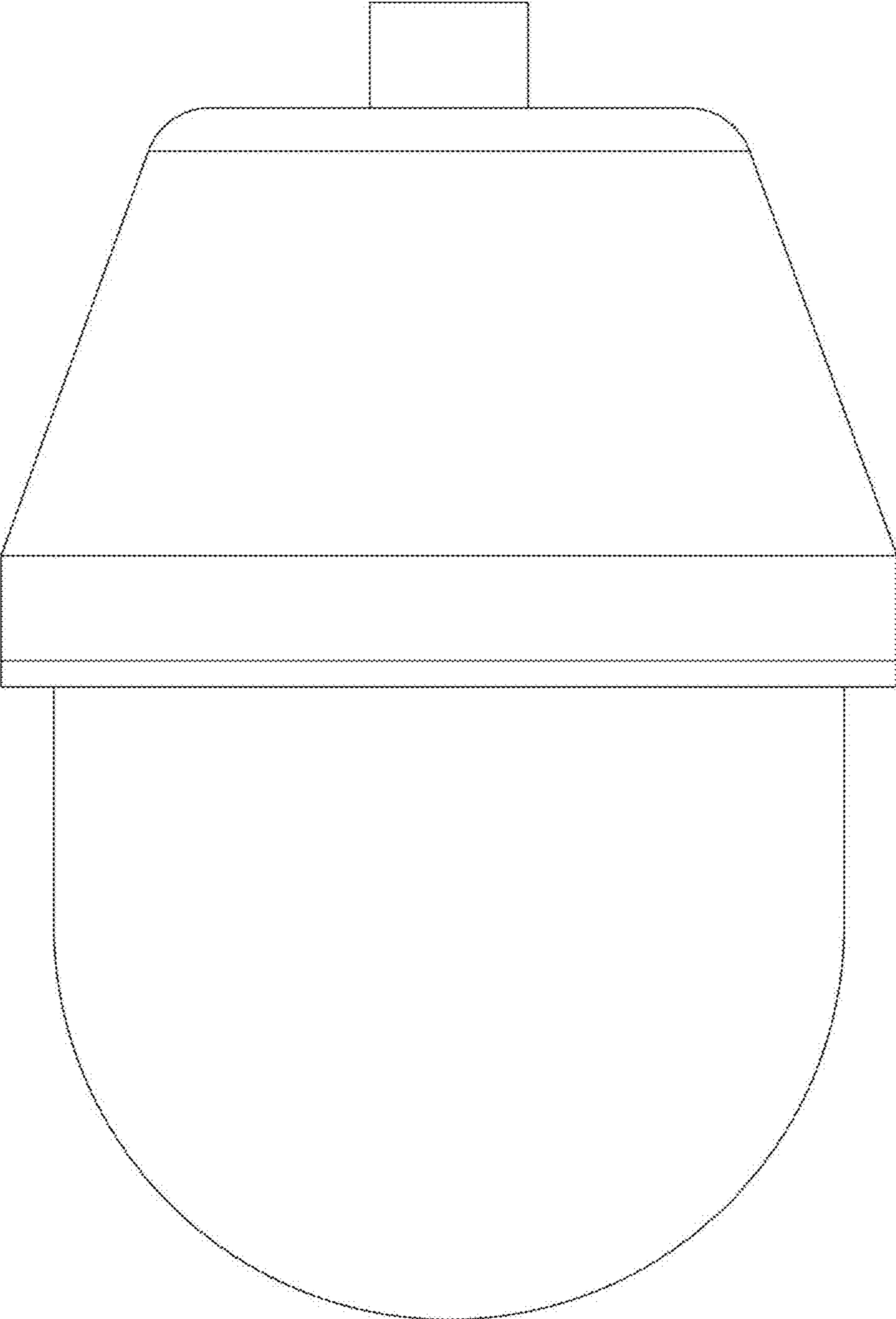


FIG. 3

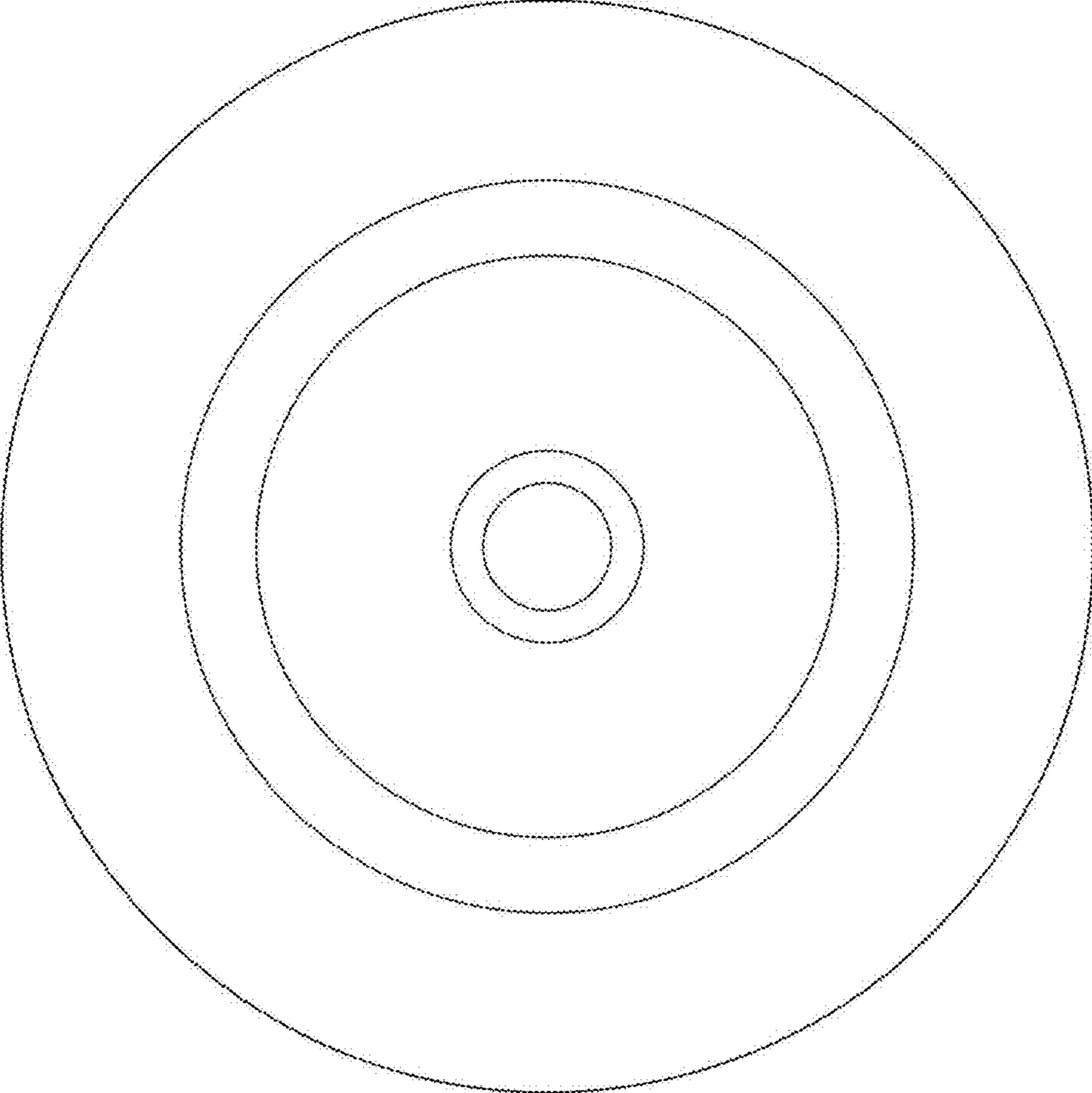


FIG. 4

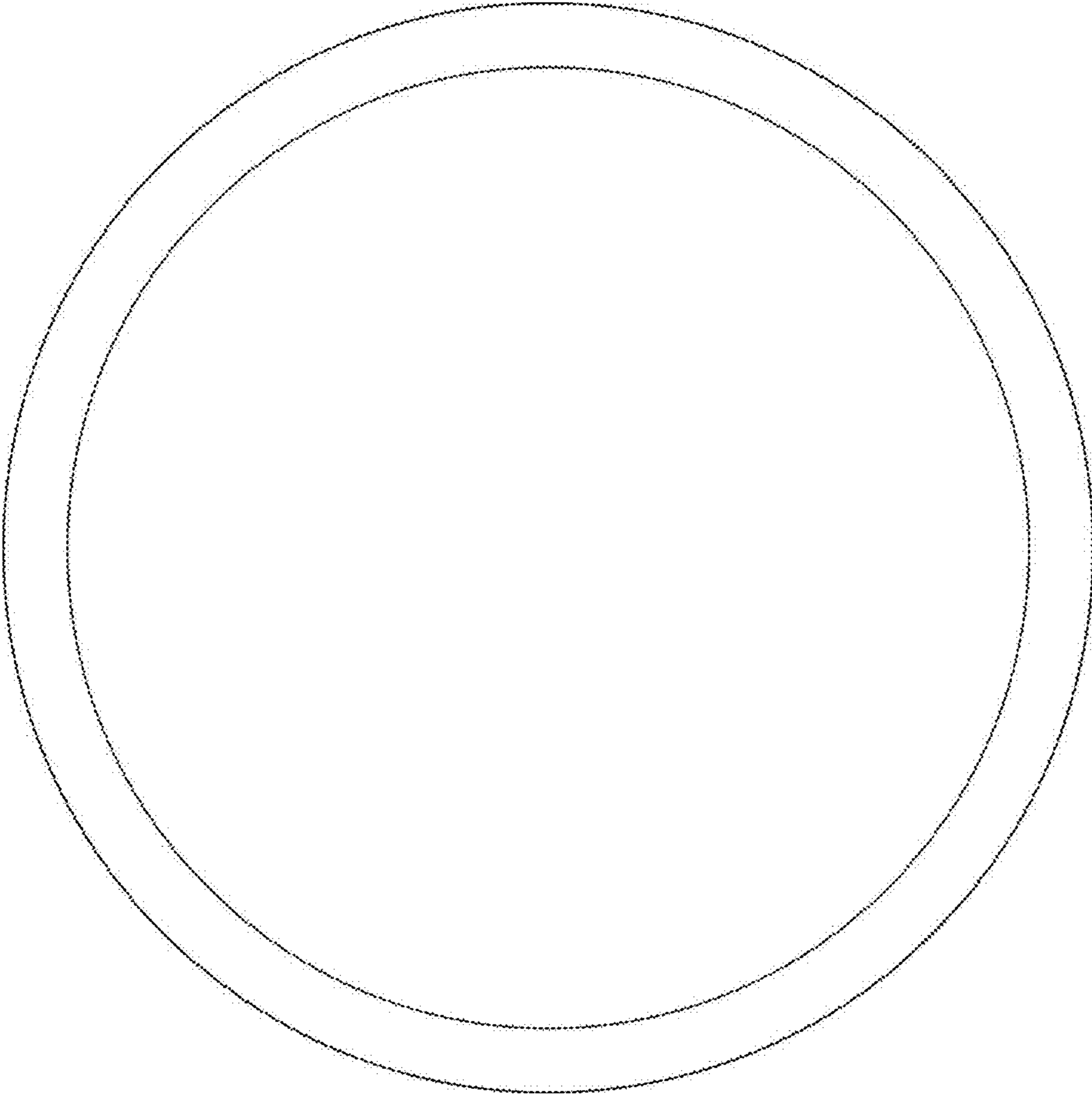


FIG. 5

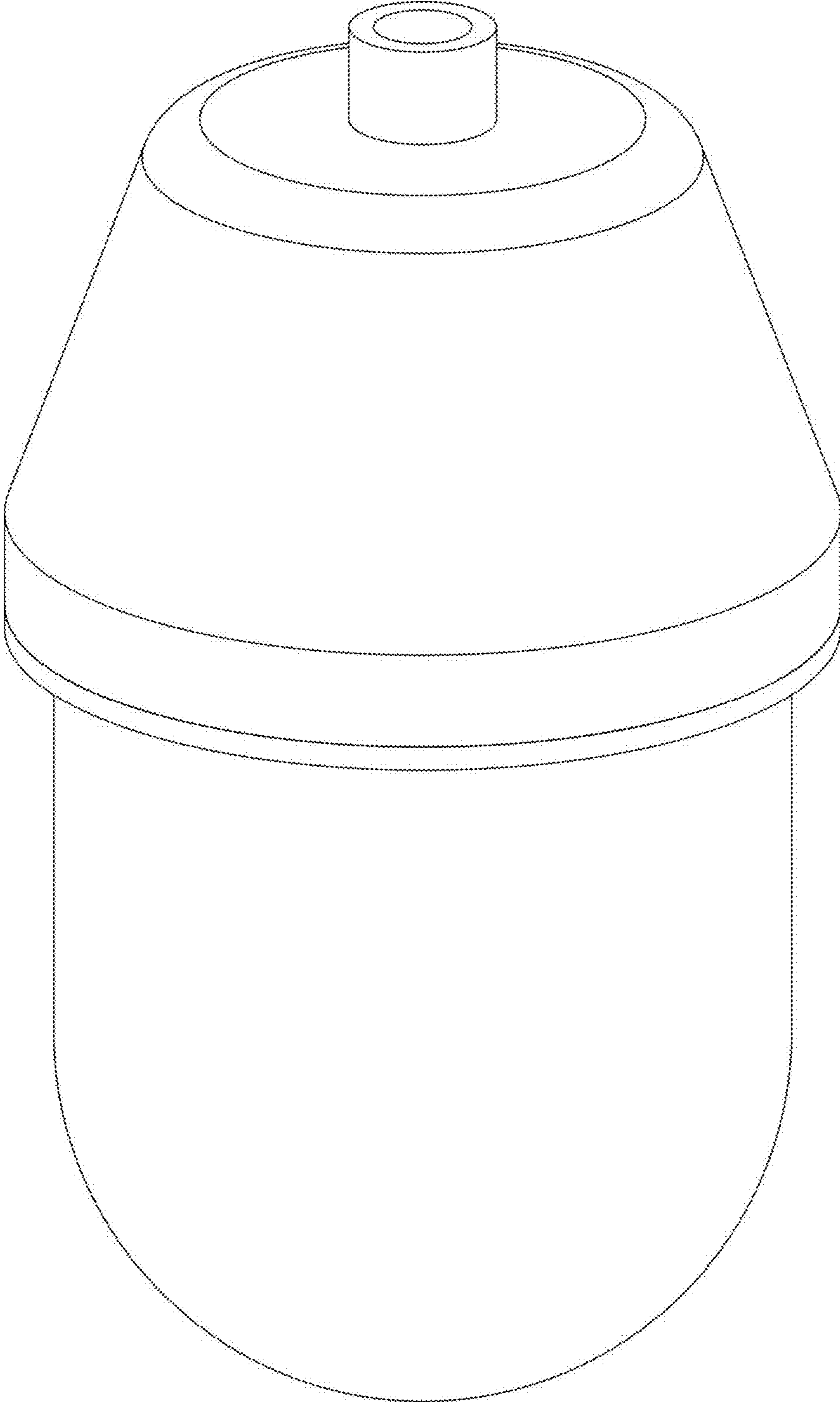


FIG. 6

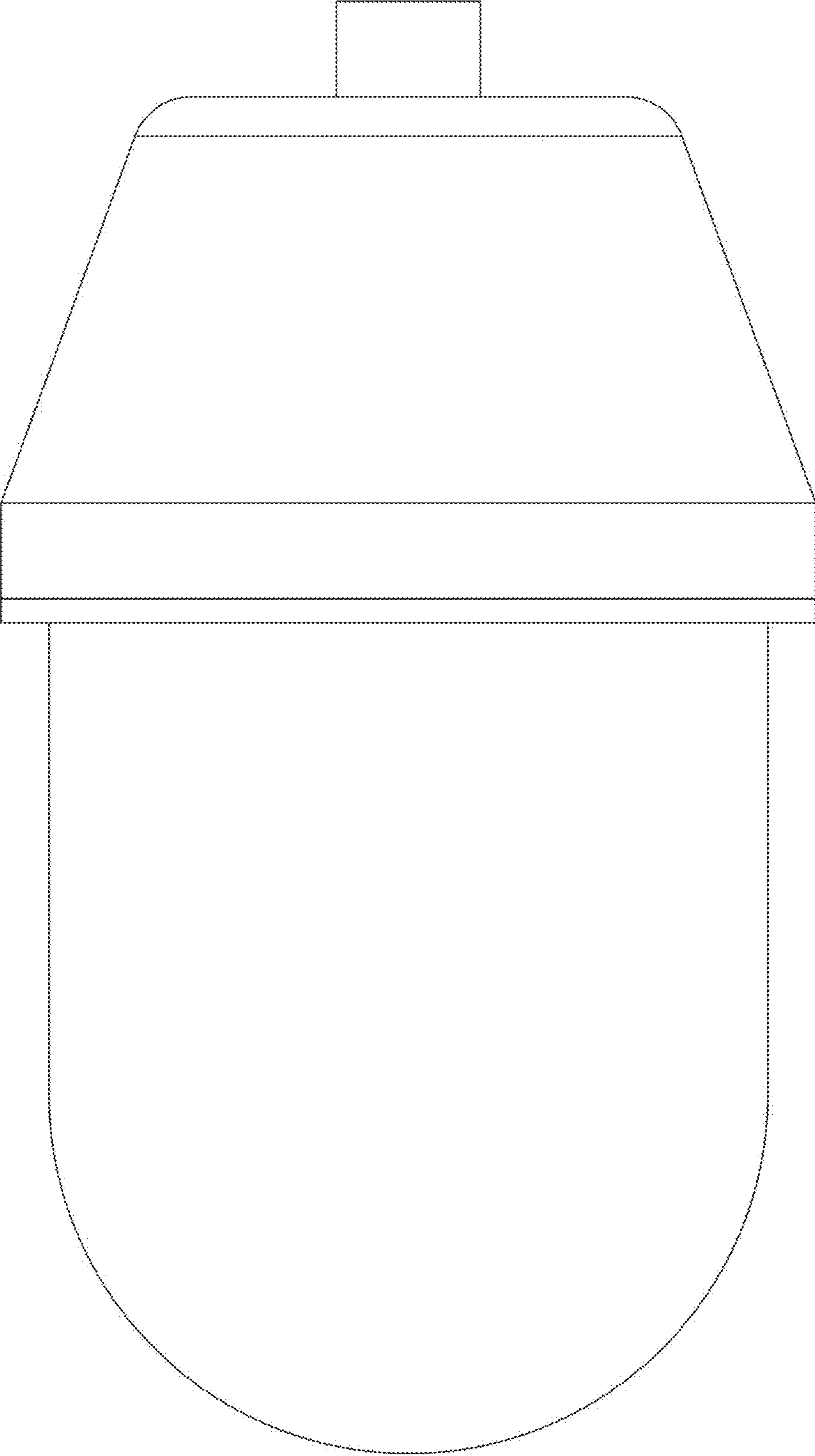


FIG. 7

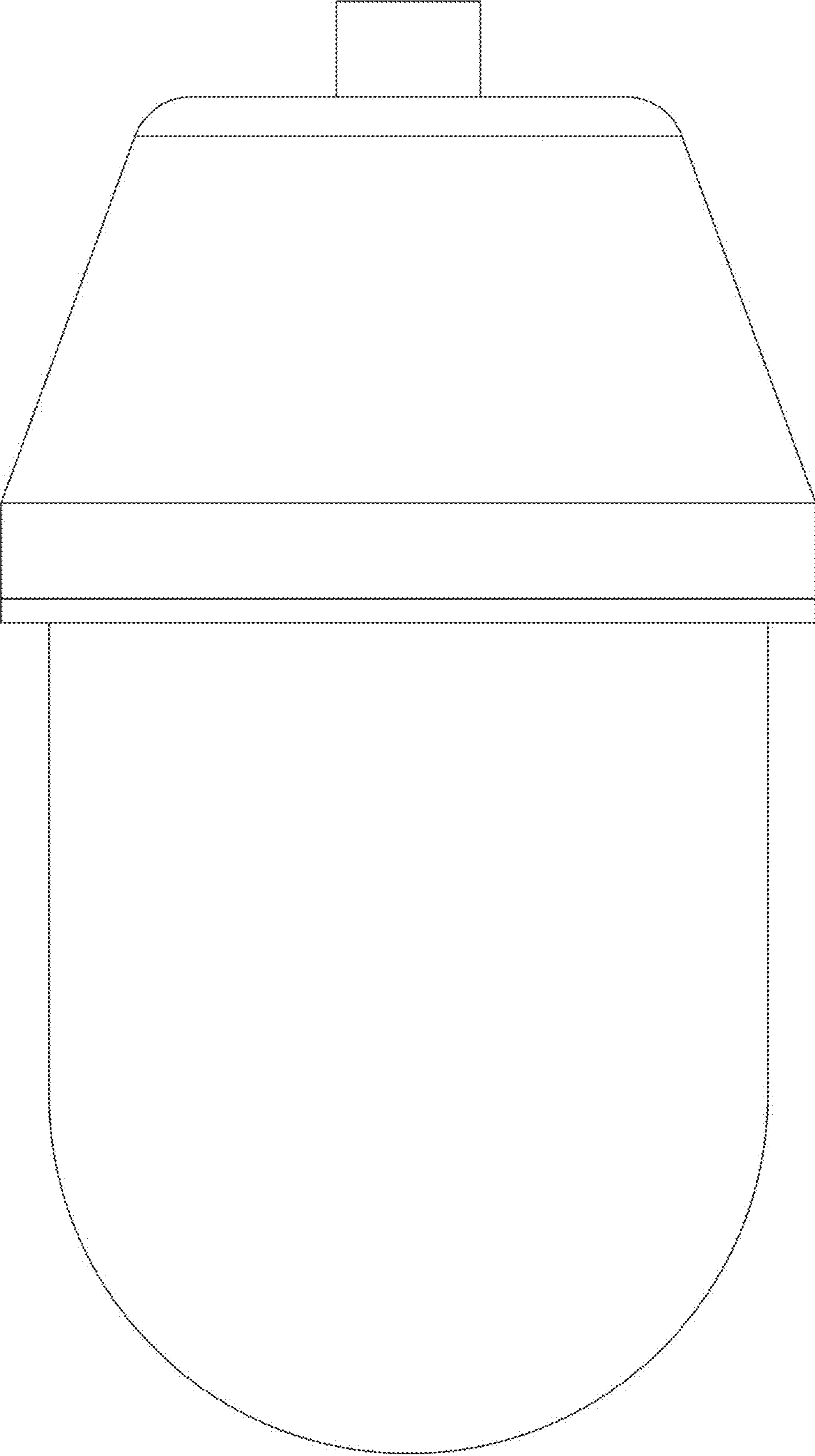


FIG. 8

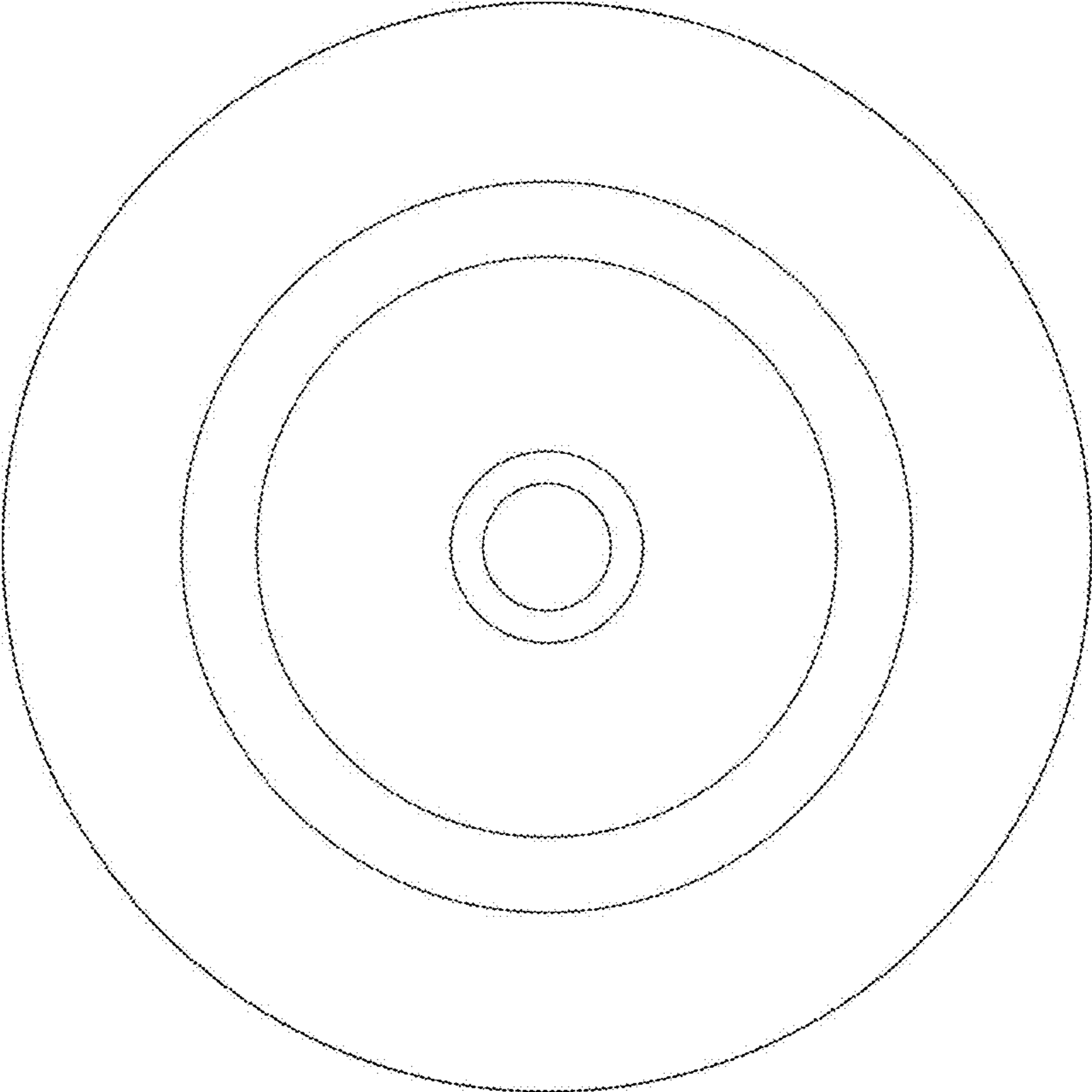


FIG. 9

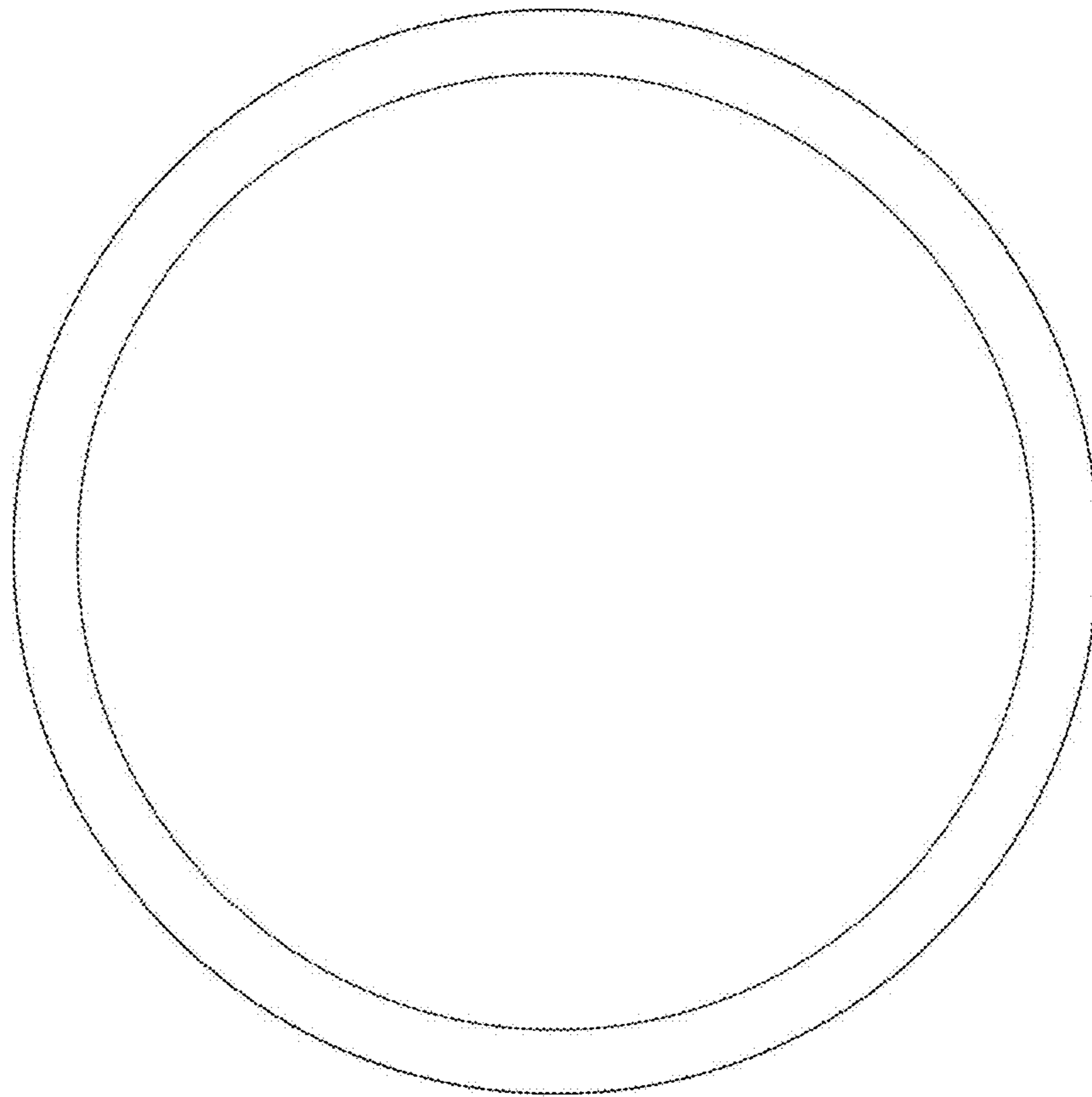


FIG. 10

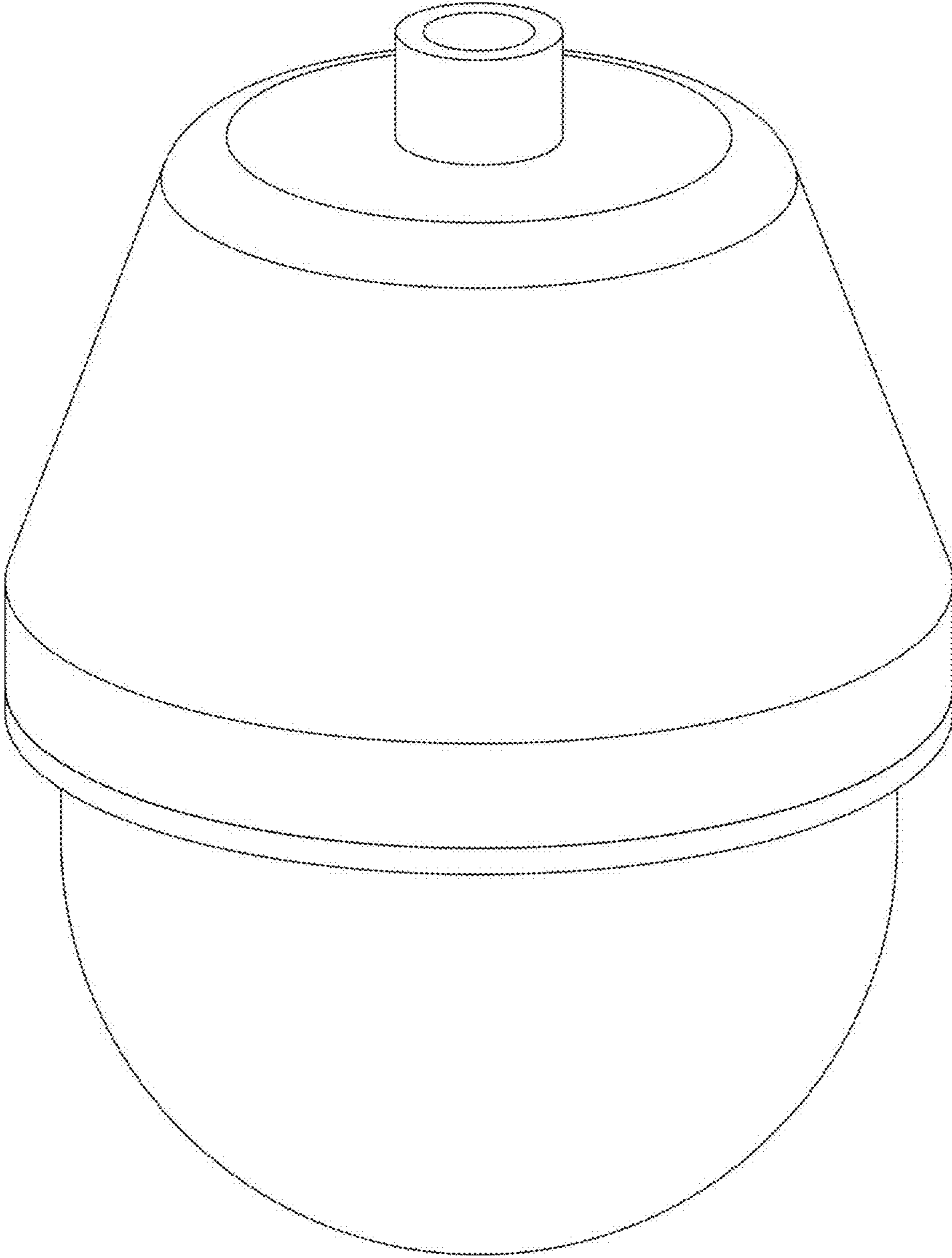


FIG. 11

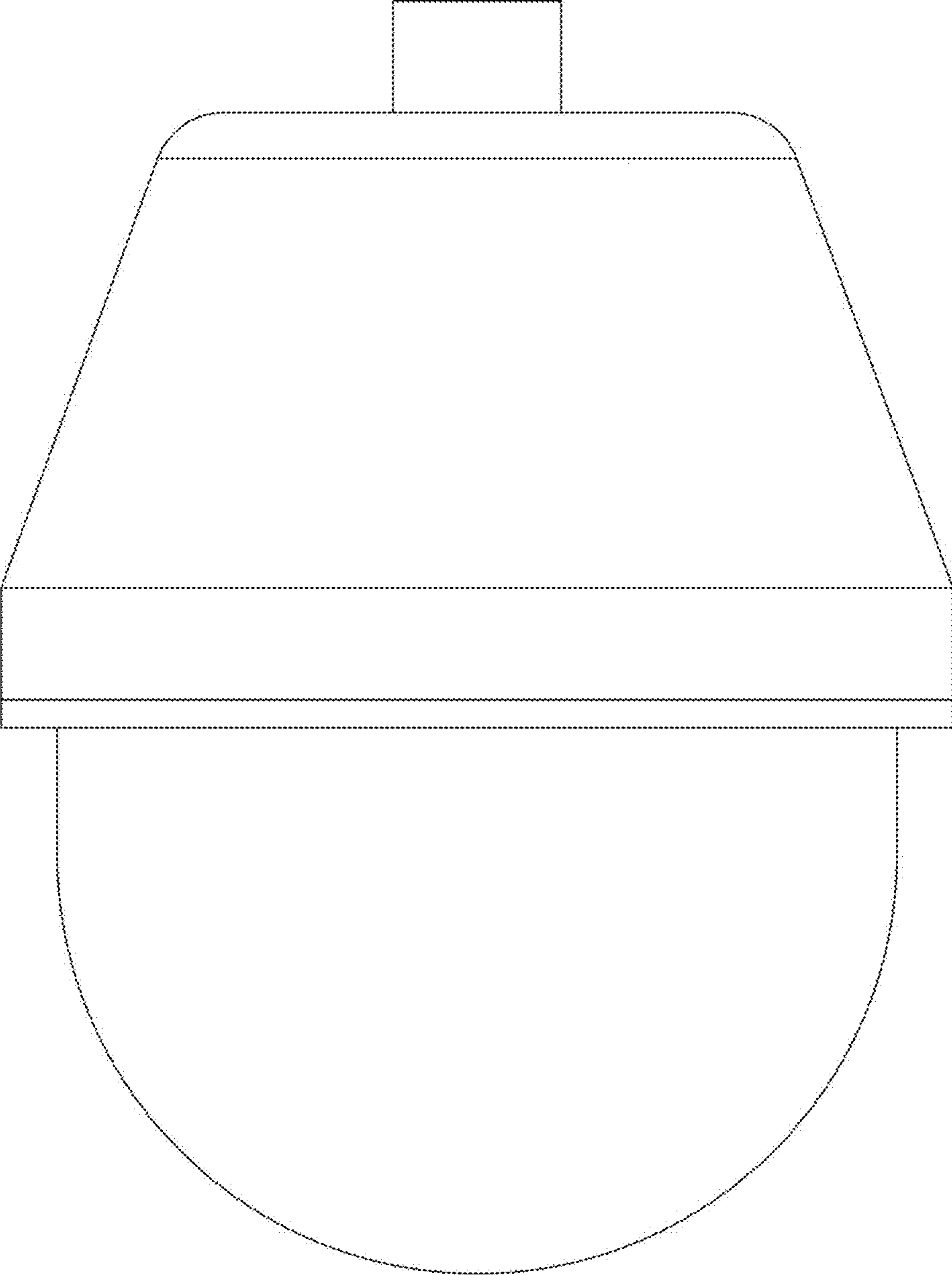


FIG. 12

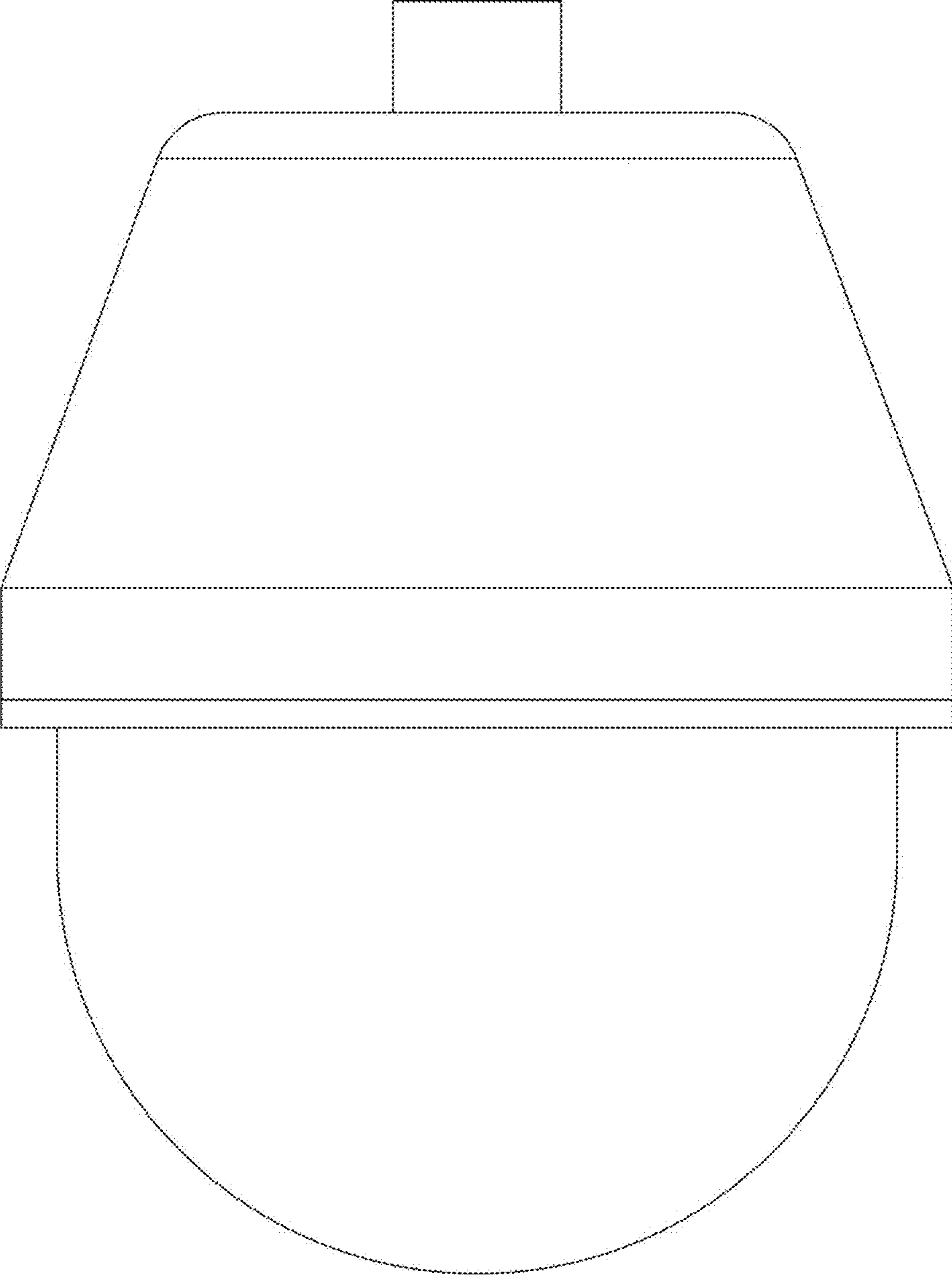


FIG. 13

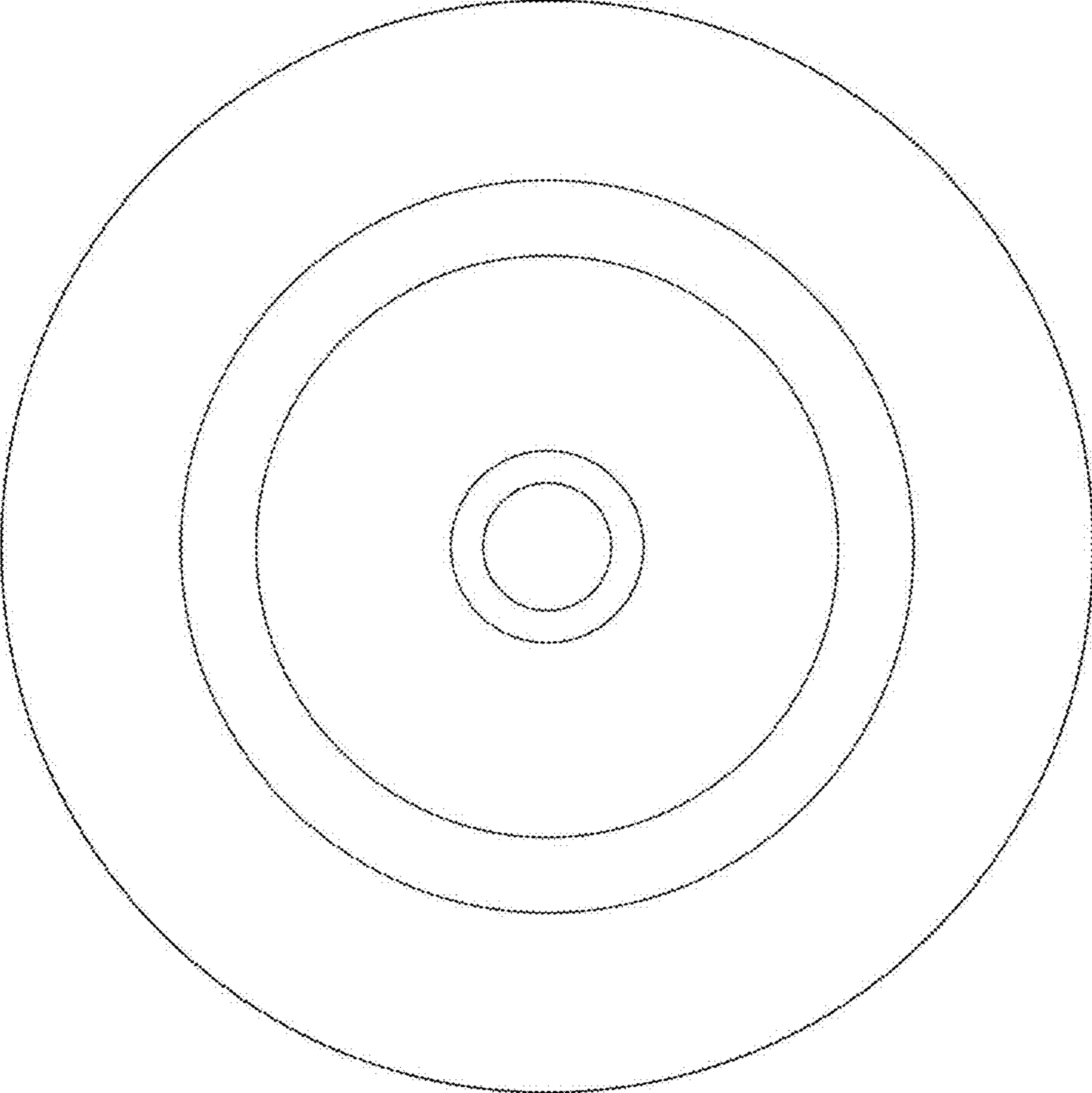


FIG. 14

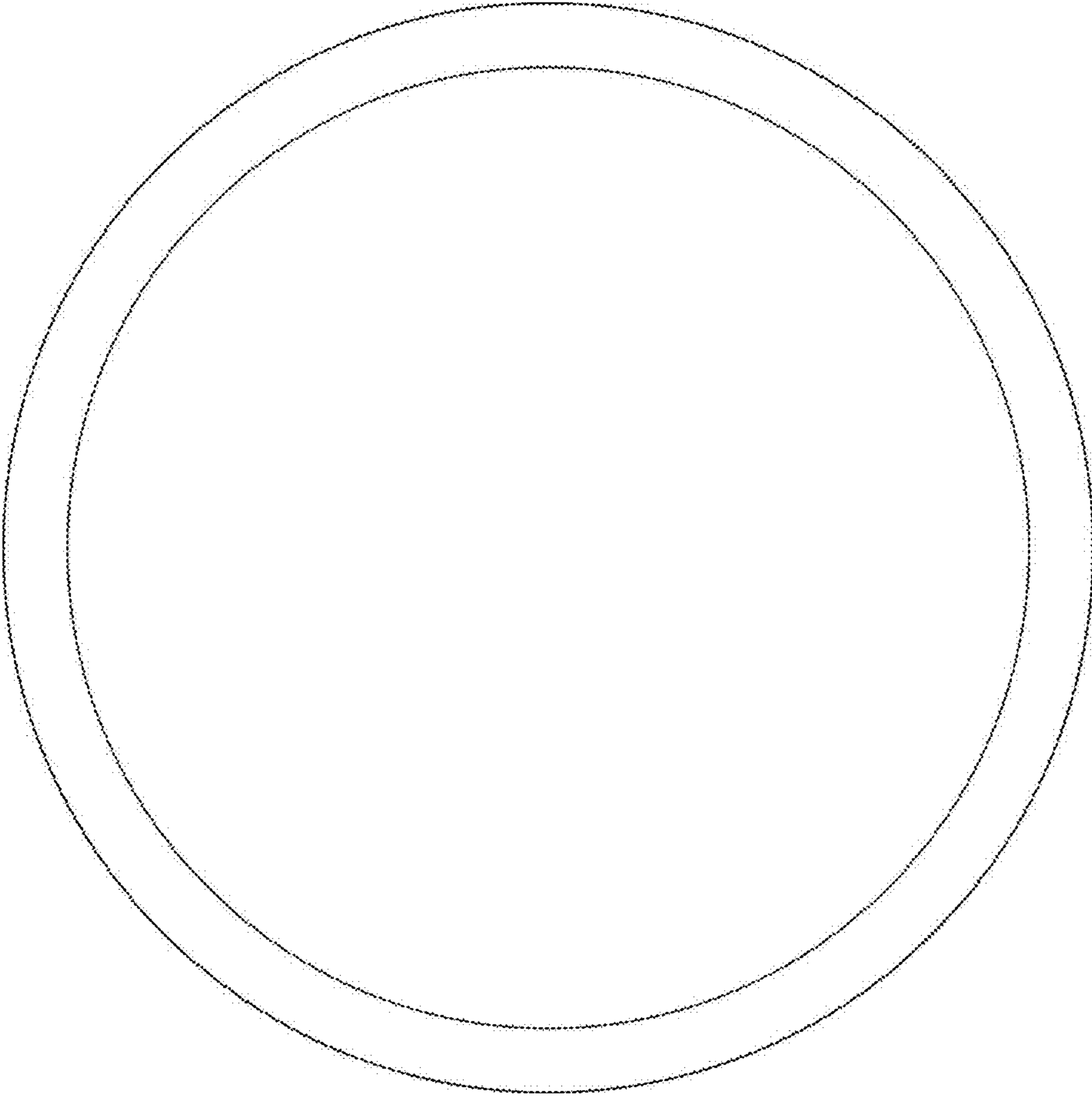


FIG. 15