



US00D967883S

(12) **United States Design Patent** (10) **Patent No.:** **US D967,883 S**  
**Sabhnani et al.** (45) **Date of Patent:** **\*\* Oct. 25, 2022**

(54) **ROBOT FOR HANDLING GOODS IN A FACILITY**

(71) Applicant: **Grey Orange International Inc.,**  
Roswell, GA (US)

(72) Inventors: **Jatin Sabhnani, New Delhi (IN);**  
**Nikunj Gupta, Delhi (IN); Tejaswi**  
**Ranjan, Gurgaon (IN); Vikrant**  
**Khedekar, Mumbai (IN); Varun**  
**Srivastava, New Delhi (IN); Naveen**  
**Boppana, Angaluru (IN)**

(73) Assignee: **Grey Orange International Inc.,**  
Roswell, GA (US)

(\*\*) Term: **15 Years**

(21) Appl. No.: **29/765,168**

(22) Filed: **Jan. 6, 2021**

(51) **LOC (13) Cl.** ..... **15-99**

(52) **U.S. Cl.**  
USPC ..... **D15/199**

(58) **Field of Classification Search**  
USPC ..... D15/199; D21/578-583, 621, 622;  
D32/21  
CPC ..... B25J 5/007; B25J 9/1694; G05D 1/027;  
G05D 1/0011; G05D 1/0231; G05D  
1/0242; Y10S 901/01; Y10S 901/46;  
Y10S 901/49

See application file for complete search history.

(56) **References Cited**

**U.S. PATENT DOCUMENTS**

D700,923 S *	3/2014	Lin	.....	D15/143
D810,799 S *	2/2018	Sokuza	.....	D15/199
D812,663 S *	3/2018	Waters	.....	D15/199
D832,372 S *	10/2018	Huang	.....	D21/578
D839,331 S *	1/2019	Nilsson	.....	D15/199
D853,461 S *	7/2019	Cheikh	.....	D15/199

D857,773 S *	8/2019	Muraishi	.....	D15/199
D863,387 S *	10/2019	Wang	.....	D15/199
D864,270 S *	10/2019	Hu	.....	D15/199
D865,021 S *	10/2019	Hu	.....	D15/199
10,493,624 B1 *	12/2019	Nabat	.....	B25J 9/1633
2006/0186561 A1 *	8/2006	Song	.....	A47L 7/04 261/26
2009/0035181 A1 *	2/2009	Chung	.....	A61B 5/00 422/68.1
2010/0228394 A1 *	9/2010	Yi	.....	G05D 1/0246 700/253
2012/0026481 A1 *	2/2012	Chen	.....	G05D 1/0242 356/4.01
2015/0020326 A1 *	1/2015	Schnittman	.....	A47L 11/34 15/52.1
2015/0166060 A1 *	6/2015	Smith	.....	B60W 30/09 701/23
2016/0271795 A1 *	9/2016	Vicenti	.....	B25J 9/163
2017/0038776 A1 *	2/2017	Gariepy	.....	G05D 1/0022

(Continued)

*Primary Examiner* — Patricia A Palasik

(74) *Attorney, Agent, or Firm* — Ziegler IP Law Group, LLC

(57) **CLAIM**

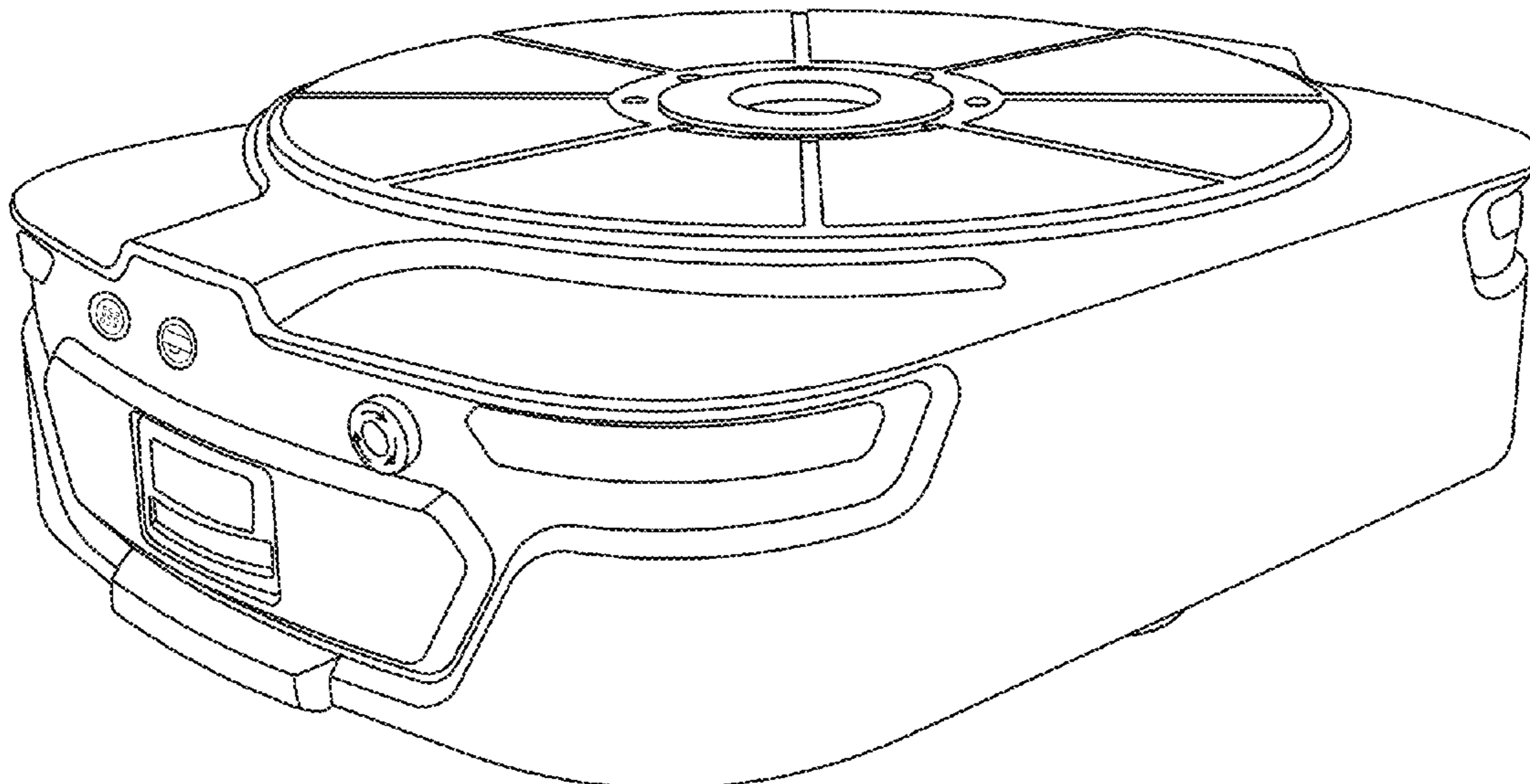
The ornamental design for a robot for handling goods in a facility, as shown and described.

**DESCRIPTION**

FIG. 1 is a perspective view of a robot for handling goods in a facility showing the new design;  
FIG. 2 is a front view thereof;  
FIG. 3 is a rear view thereof;  
FIG. 4 is a right-side view thereof;  
FIG. 5 is a left side view thereof;  
FIG. 6 is a top view thereof; and,  
FIG. 7 is a bottom view thereof.

The broken lines in the drawings depict portions of the robot for handling goods in a facility and form no part of the claimed design.

**1 Claim, 7 Drawing Sheets**



(56)

**References Cited**

## U.S. PATENT DOCUMENTS

2017/0150863 A1\* 6/2017 Kim ..... A47L 9/2805  
2017/0269212 A1\* 9/2017 Strang ..... G01S 7/4816  
2017/0332862 A1\* 11/2017 Jun ..... G05D 1/0248  
2017/0332872 A1\* 11/2017 Jun ..... G06T 7/521  
2018/0186001 A1\* 7/2018 Scheurer ..... B25J 9/162  
2018/0192842 A1\* 7/2018 Sung ..... A47L 9/009  
2018/0213987 A1\* 8/2018 Hong ..... A47L 9/02  
2018/0213992 A1\* 8/2018 Koetz ..... A47L 9/0411  
2018/0284786 A1\* 10/2018 Moshkina-Martinson .....  
A47L 9/2847  
2018/0329409 A1\* 11/2018 Huang ..... G05D 1/0246  
2019/0014964 A1\* 1/2019 Velasquez ..... A47L 11/34  
2019/0015990 A1\* 1/2019 Hillen ..... B25J 9/1697  
2019/0133396 A1\* 5/2019 Lim ..... A47L 9/28  
2019/0174987 A1\* 6/2019 Strang ..... A47L 9/2857  
2019/0176330 A1\* 6/2019 Noh ..... B25J 9/1697  
2019/0208970 A1\* 7/2019 Suchman ..... A47L 7/0028  
2019/0282050 A1\* 9/2019 Hyun ..... A47L 9/16  
2019/0332115 A1\* 10/2019 Lim ..... A47L 9/28

\* cited by examiner

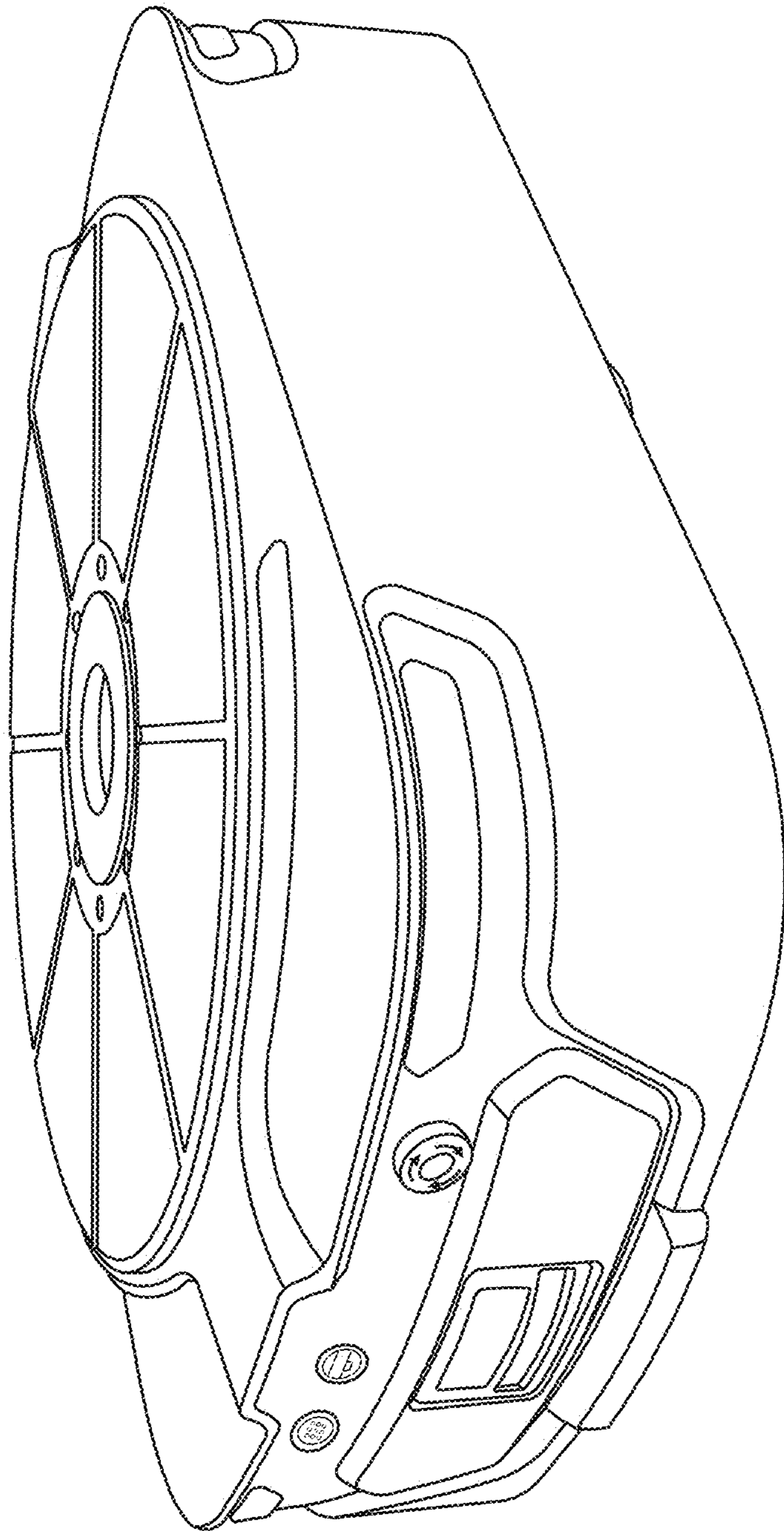


FIG. 1

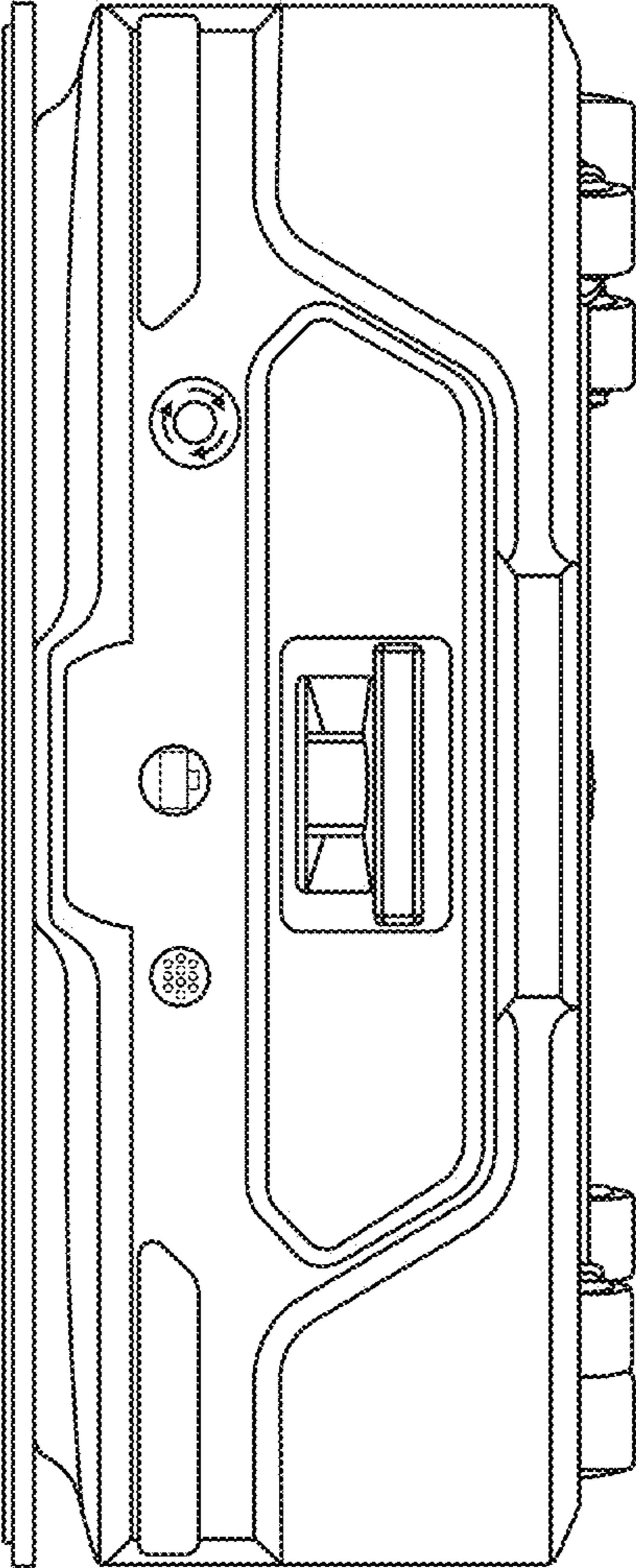


FIG. 2

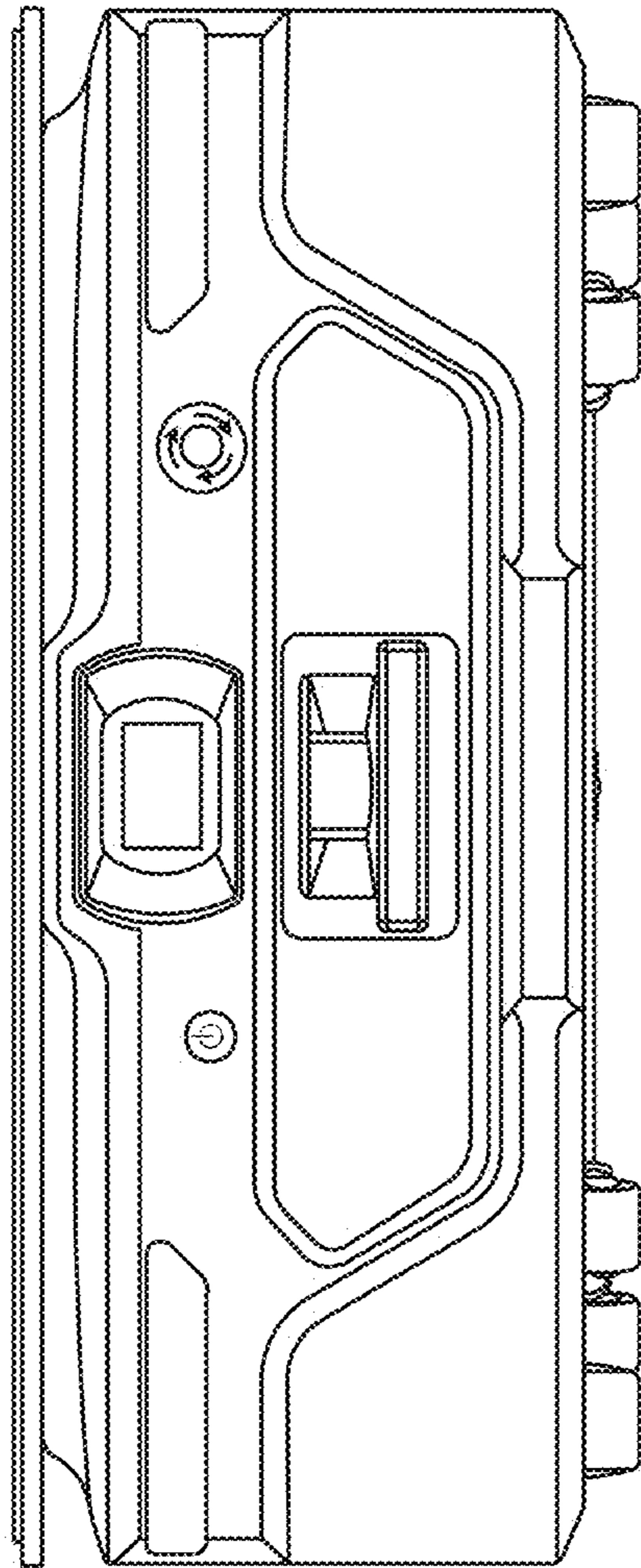


FIG. 3

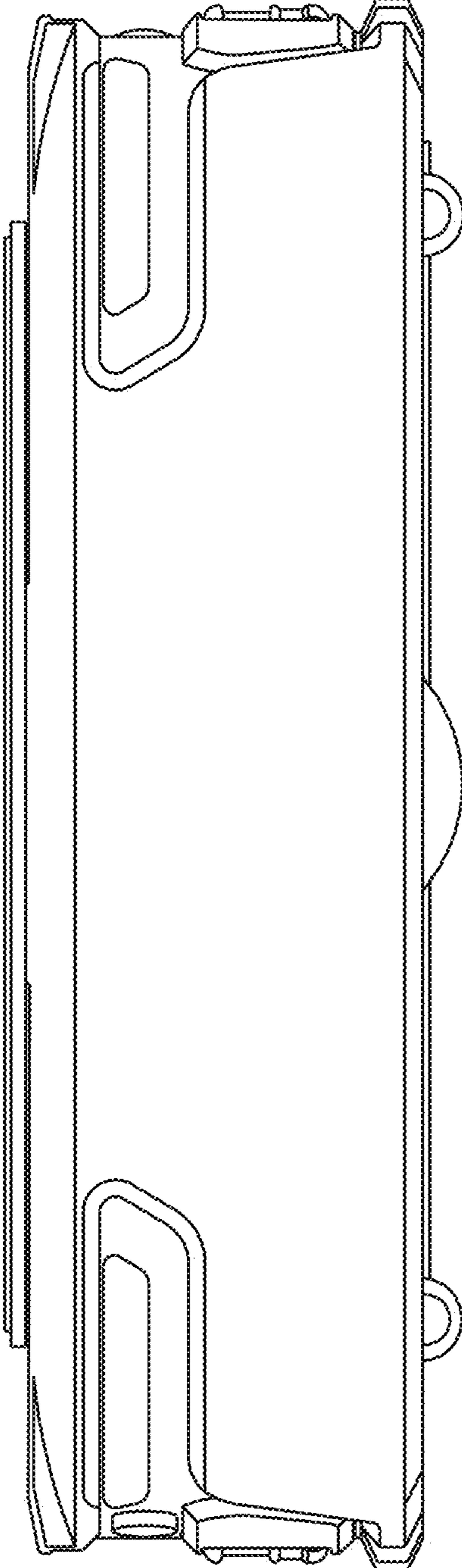


FIG. 4

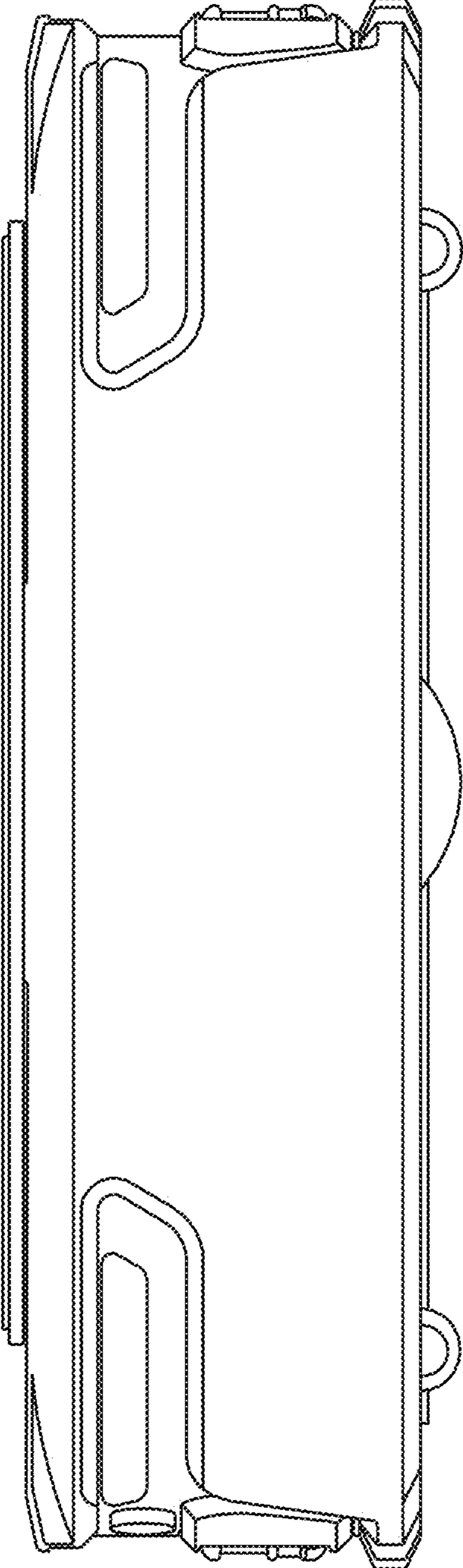


FIG. 5

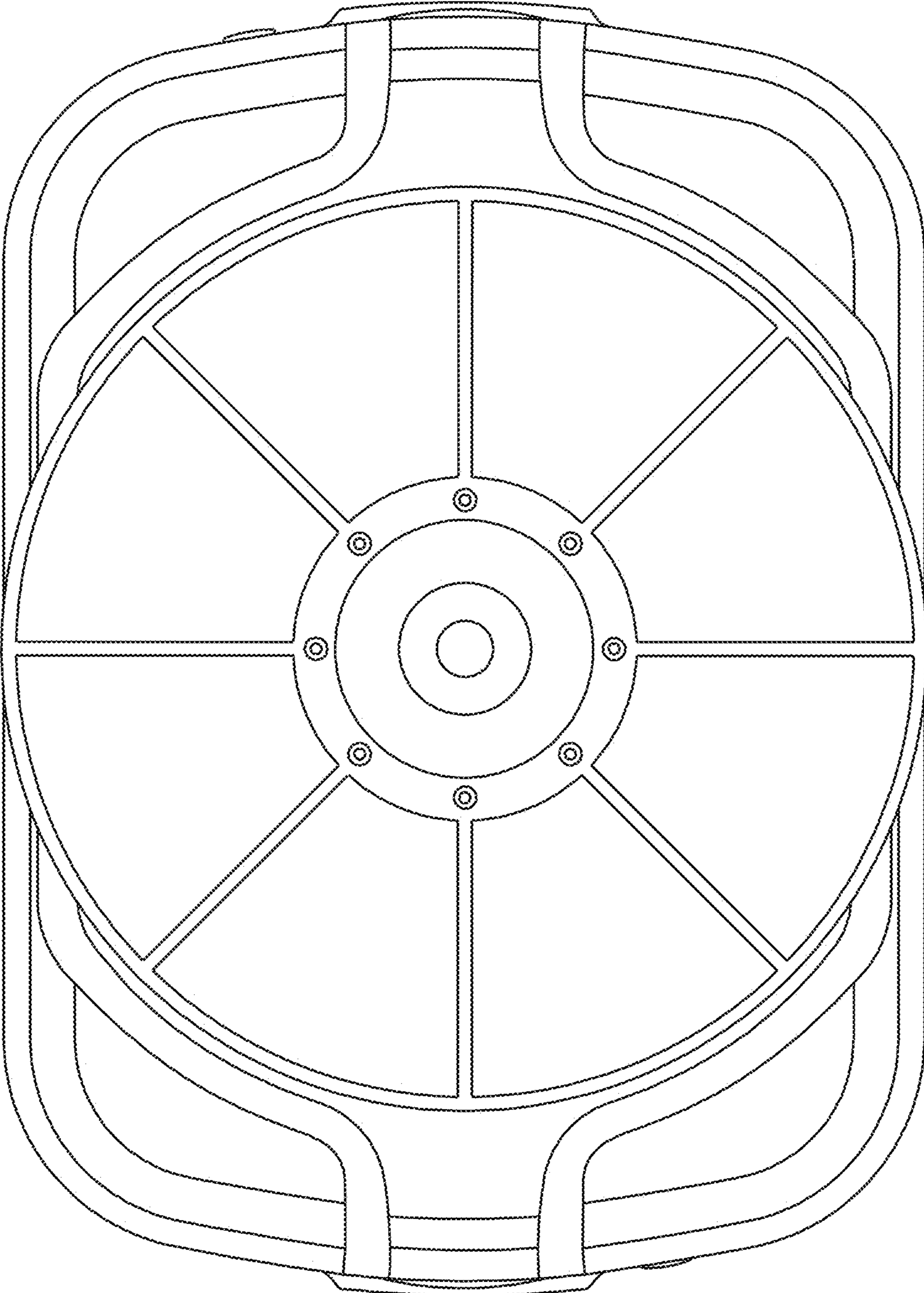


FIG. 6



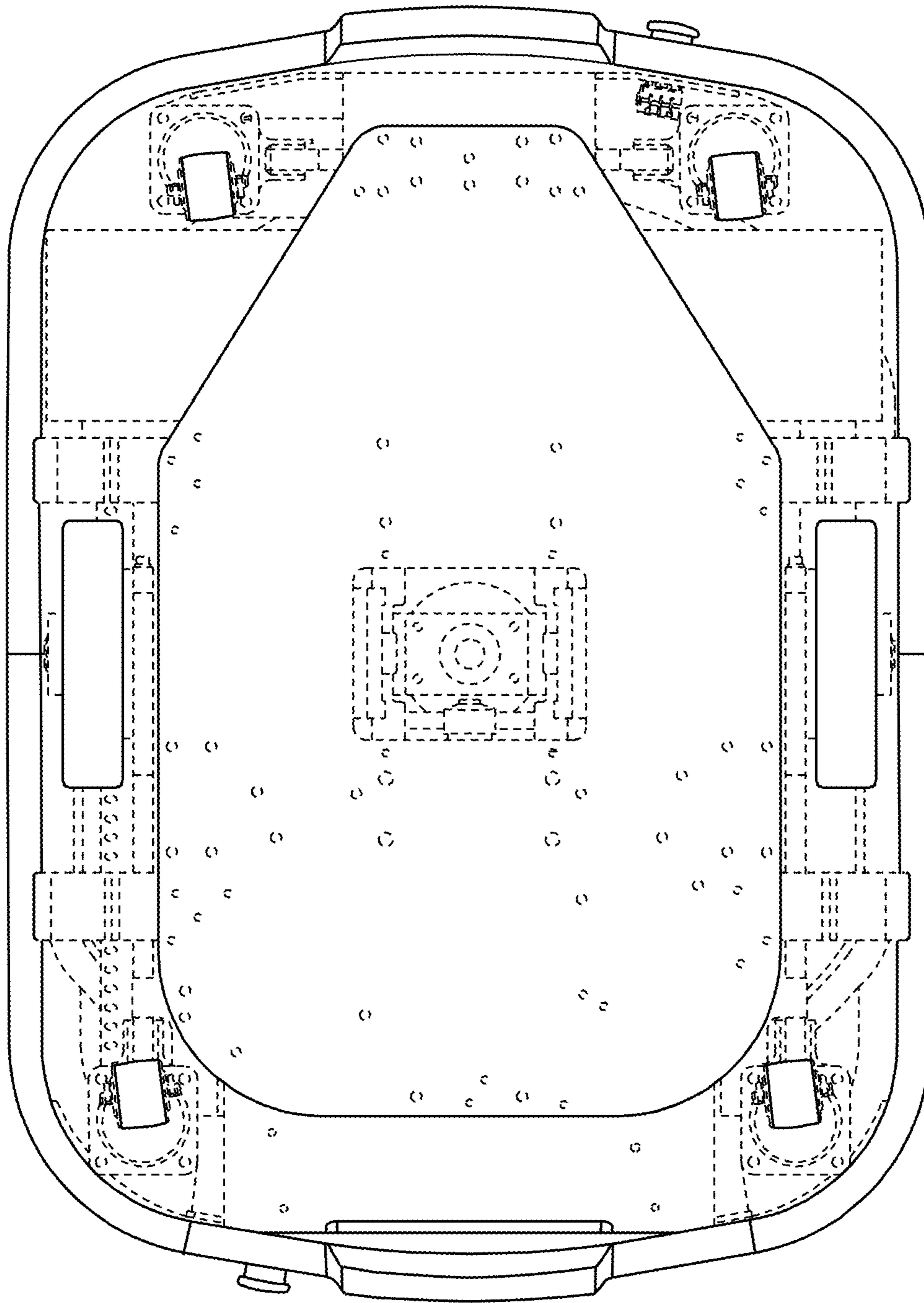


FIG. 7