



US00D967880S

(12) **United States Design Patent**
Mills

(10) **Patent No.:** **US D967,880 S**

(45) **Date of Patent:** **** Oct. 25, 2022**

- (54) **MILLING BIT** 6,709,065 B2 * 3/2004 Peay B28D 1/188
299/111
- (71) Applicant: **China Pacificarbide, Inc.**, Chino, CA 7,172,256 B2 * 2/2007 Sleep E21C 35/197
(US) 299/105
- (72) Inventor: **Ronald D. Mills**, Anaheim Hills, CA 7,353,893 B1 4/2008 Hall et al.
(US) 7,384,105 B2 6/2008 Hall et al.
D581,952 S * 12/2008 Hall D15/21
7,469,756 B2 12/2008 Hall et al.
7,530,642 B2 * 5/2009 Ferreri E21C 35/183
299/104
- (73) Assignee: **China Pacificarbide, Inc.**, Chino, CA 7,665,552 B2 2/2010 Hall et al.
(US) 7,669,674 B2 3/2010 Hall et al.
7,740,414 B2 6/2010 Hall et al.
- (**) Term: **15 Years** D627,804 S * 11/2010 Fader D15/139
D640,291 S * 6/2011 Stellman D15/21
- (21) Appl. No.: **29/818,920** (Continued)
- (22) Filed: **Dec. 10, 2021**

Related U.S. Application Data

- (63) Continuation of application No. 29/733,102, filed on Apr. 29, 2020, now Pat. No. Des. 940,768.
- (51) **LOC (13) Cl.** **15-09**
- (52) **U.S. Cl.**
USPC **D15/139**
- (58) **Field of Classification Search**
USPC D8/68-70, 385, 395; D15/19, 21,
D15/131-133, 138, 139
CPC E21B 10/48; E21B 29/00; E21B 29/06
See application file for complete search history.

References Cited

- (56) **U.S. PATENT DOCUMENTS**
- 3,564,945 A * 2/1971 Bradley B23B 51/009
408/227
- 4,660,890 A * 4/1987 Mills E21C 35/18
29/520
- 4,823,454 A * 4/1989 Mills E21C 35/18
29/437
- 4,932,723 A * 6/1990 Mills E21C 35/183
299/104
- 6,196,636 B1 * 3/2001 Mills E21C 35/183
299/111

OTHER PUBLICATIONS

Kennametal Inc., "Road King Extreme—Introducing the Next General High-Performance Road Milling Tool—Kennametal Road King Extreme," 2017, 1 page.

Primary Examiner — Michael C Stout
Assistant Examiner — Fritzgerald L Butac
(74) *Attorney, Agent, or Firm* — Boardman & Clark LLP

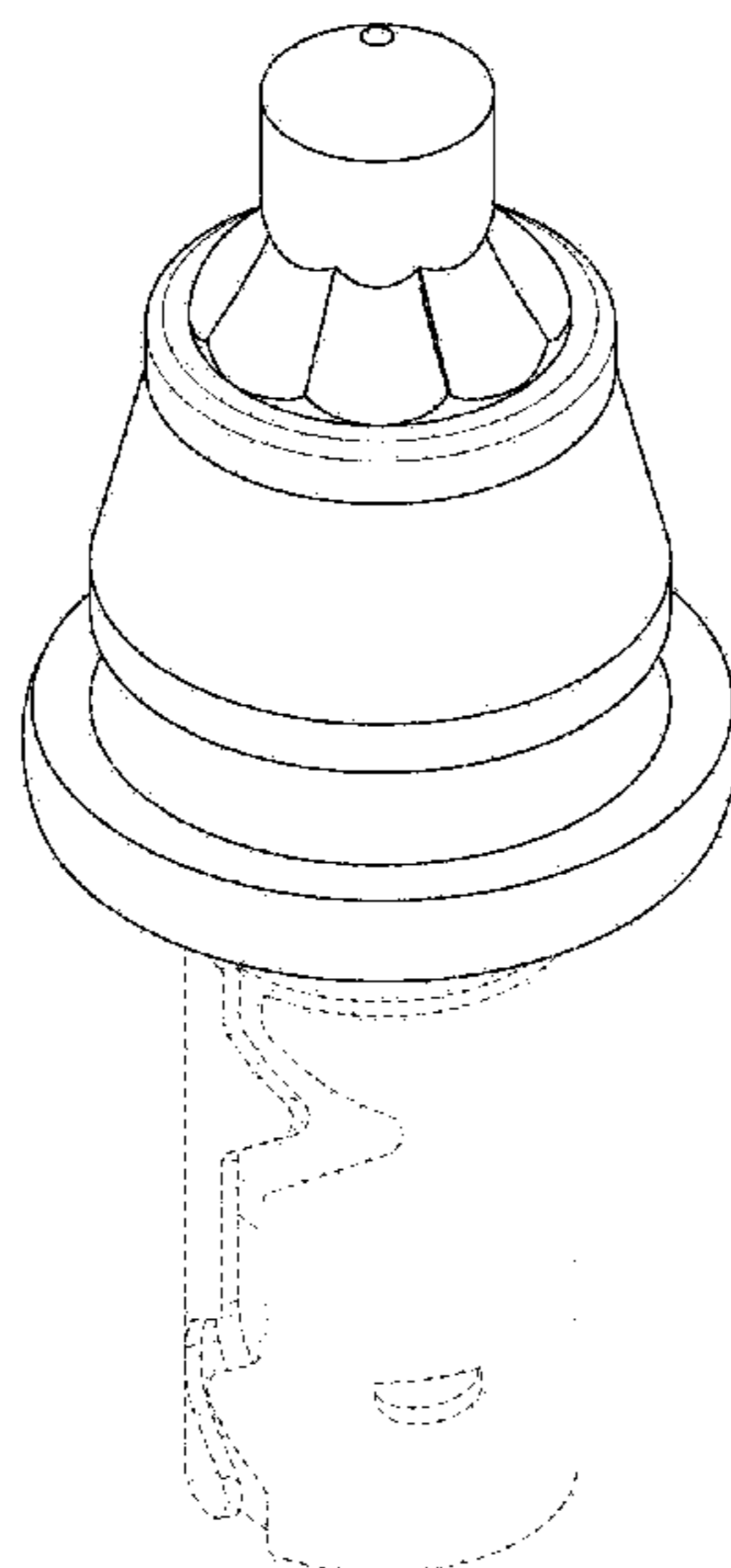
(57) **CLAIM**

The ornamental design for a milling bit, as shown and described.

DESCRIPTION

FIG. 1 is a perspective view of the ornamental design a milling bit;
FIG. 2 is a first side elevation view thereof;
FIG. 3 is a second side elevation thereof;
FIG. 4 is a third side elevation thereof;
FIG. 5 is a top view thereof; and,
FIG. 6 is a bottom view thereof.
The broken lines show portions of a milling bit that form no part of the claimed design.

1 Claim, 2 Drawing Sheets



(56)

References Cited

U.S. PATENT DOCUMENTS

8,028,774 B2 10/2011 Hall et al.
 D674,422 S * 1/2013 Hall D15/139
 8,540,037 B2 * 9/2013 Hall E21C 35/183
 175/426
 8,646,848 B2 * 2/2014 Hall E21C 35/183
 299/103
 D724,636 S * 3/2015 Jones D15/131
 D742,948 S * 11/2015 Kenno D15/139
 D742,949 S * 11/2015 Kenno D15/139
 D805,564 S * 12/2017 Lee B23C 5/00
 D15/139
 D808,449 S * 1/2018 Buhr D15/139
 D815,164 S * 4/2018 Schleicher D15/139
 D815,165 S * 4/2018 Morisaki D15/139
 D819,098 S * 5/2018 Buhr E21C 35/18
 D15/139
 D828,415 S * 9/2018 Ota D15/139
 D828,416 S * 9/2018 Ota D15/139
 10,107,097 B1 10/2018 Sollami
 D839,936 S * 2/2019 Weber D15/139
 D845,360 S * 4/2019 Kobayashi D15/139
 D847,883 S * 5/2019 Kobayashi D15/139
 D852,245 S * 6/2019 Kobayashi D15/139
 D852,246 S * 6/2019 Kobayashi D15/139

10,421,130 B2 * 9/2019 Van Essen B23B 31/005
 D861,754 S * 10/2019 Fukuyama D15/139
 D863,386 S * 10/2019 Swope D15/139
 D868,122 S * 11/2019 Rose D15/139
 D872,784 S * 1/2020 Inagaki B23C 5/202
 D15/139
 D878,439 S * 3/2020 Chen D15/139
 D884,039 S * 5/2020 Endoh D15/139
 D884,040 S * 5/2020 Endoh D15/139
 D884,041 S * 5/2020 Endoh D15/139
 D898,085 S * 10/2020 Kim B23C 5/202
 D15/139
 10,794,181 B2 10/2020 Sollami
 D907,670 S * 1/2021 Nagafuchi B23B 27/145
 D15/139
 D907,671 S * 1/2021 Nagafuchi B23B 27/145
 D15/139
 D908,752 S * 1/2021 Nagafuchi B23B 27/145
 D15/139
 D909,438 S * 2/2021 Fujii D15/139
 D911,399 S * 2/2021 Atkins D15/139
 D912,708 S * 3/2021 Weinberg D15/139
 D921,075 S * 6/2021 Park D15/139
 D921,076 S * 6/2021 Park D15/139
 D934,318 S * 10/2021 Mills D15/139
 D940,768 S * 1/2022 Mills D15/139
 D941,375 S * 1/2022 Mills D15/139

* cited by examiner

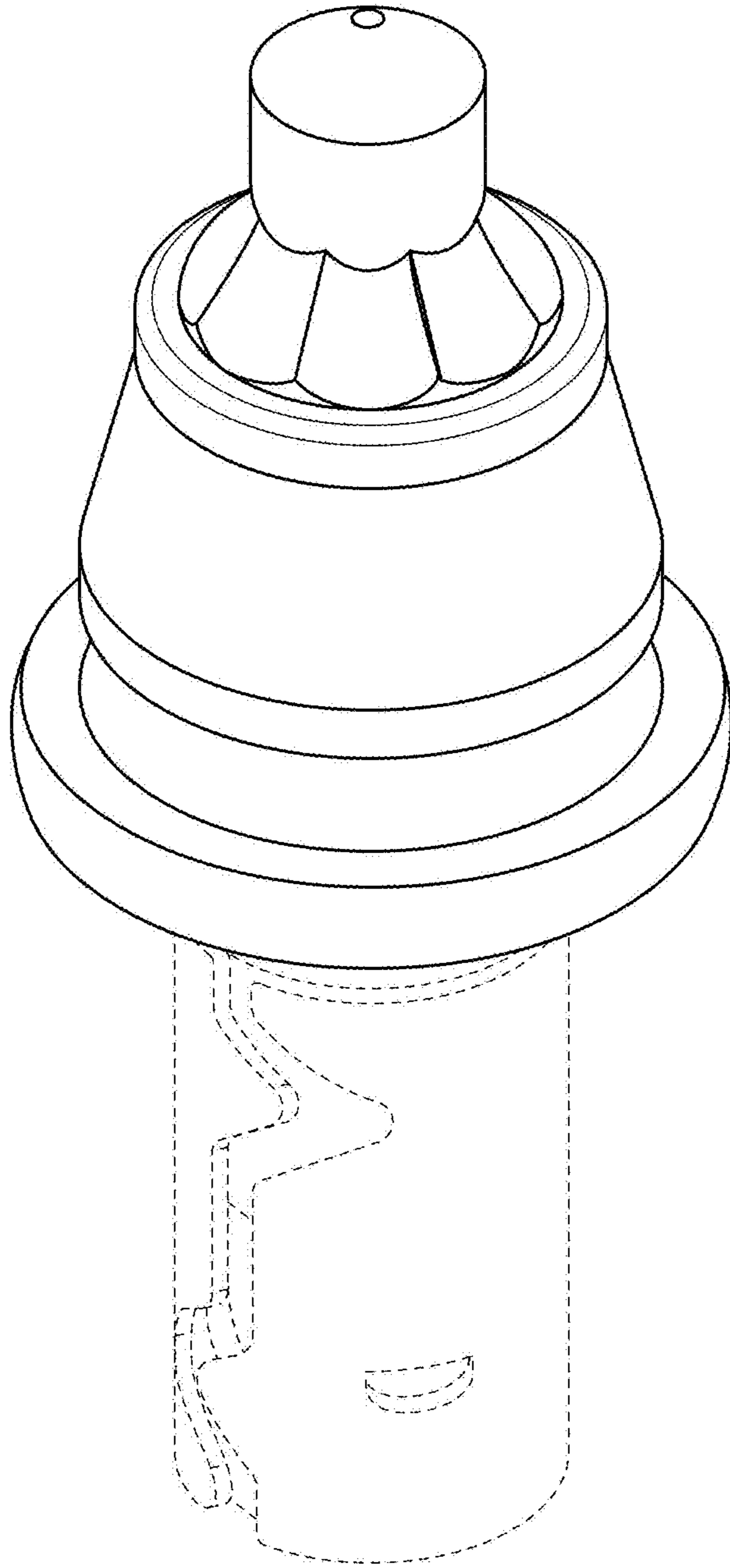


FIG. 1

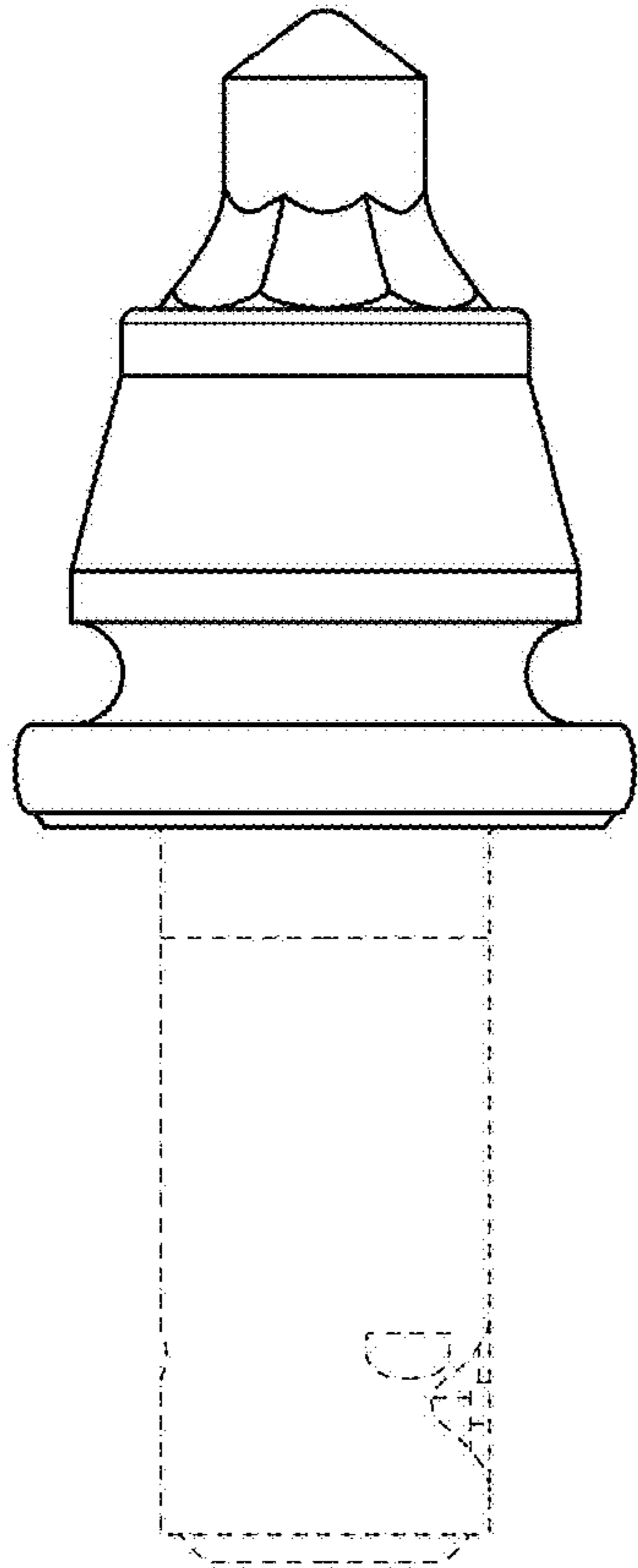


FIG. 2

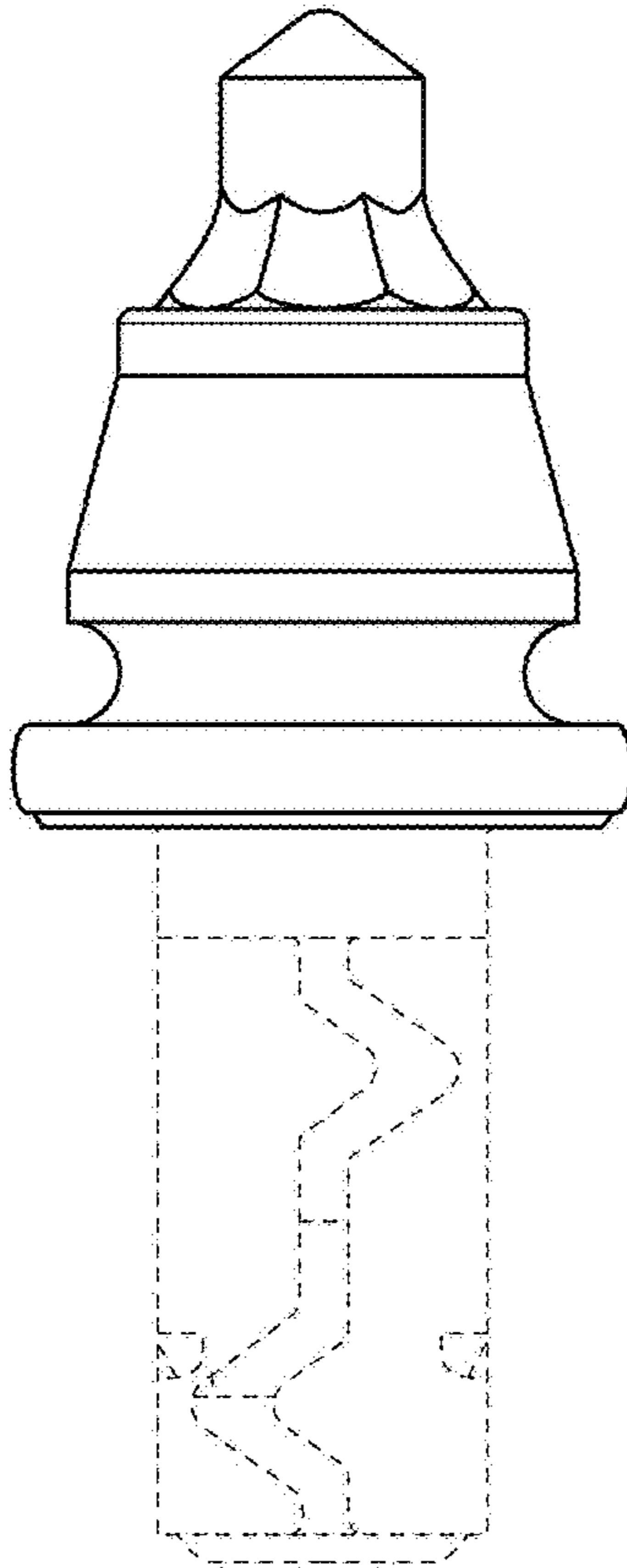


FIG. 3

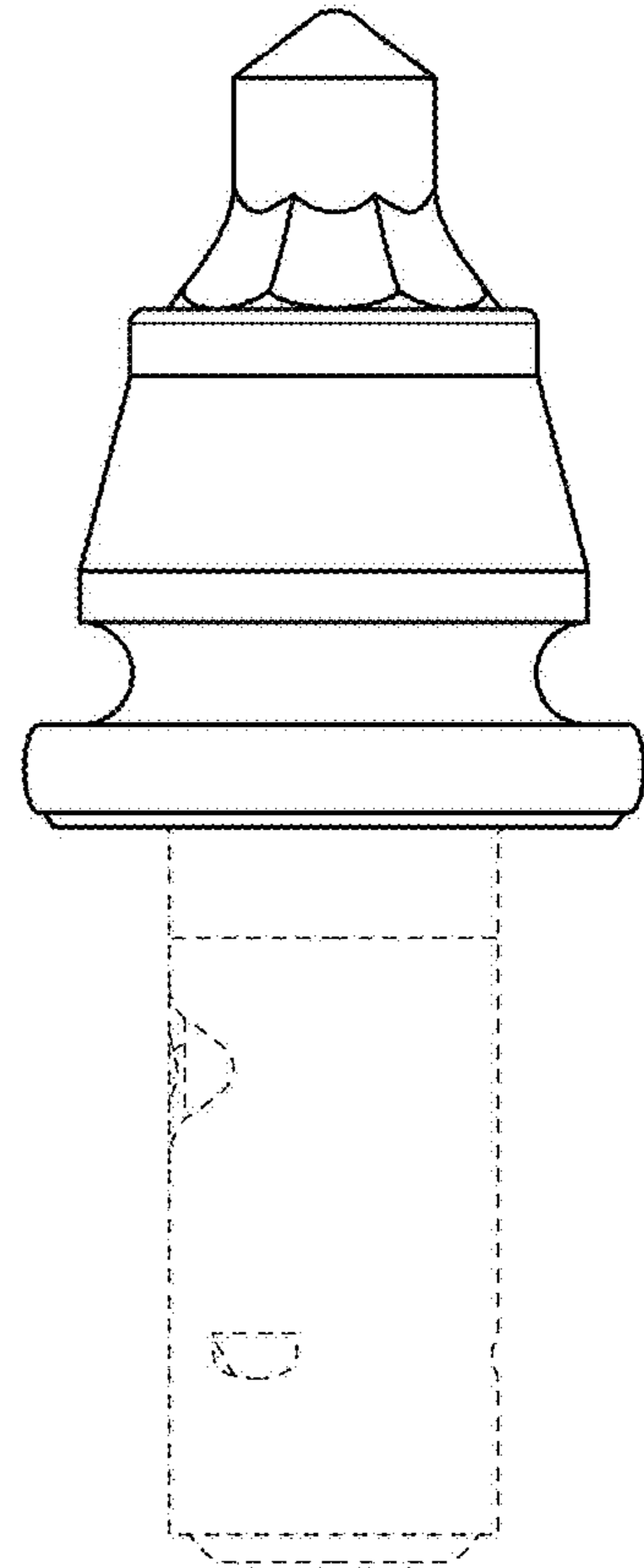


FIG. 4

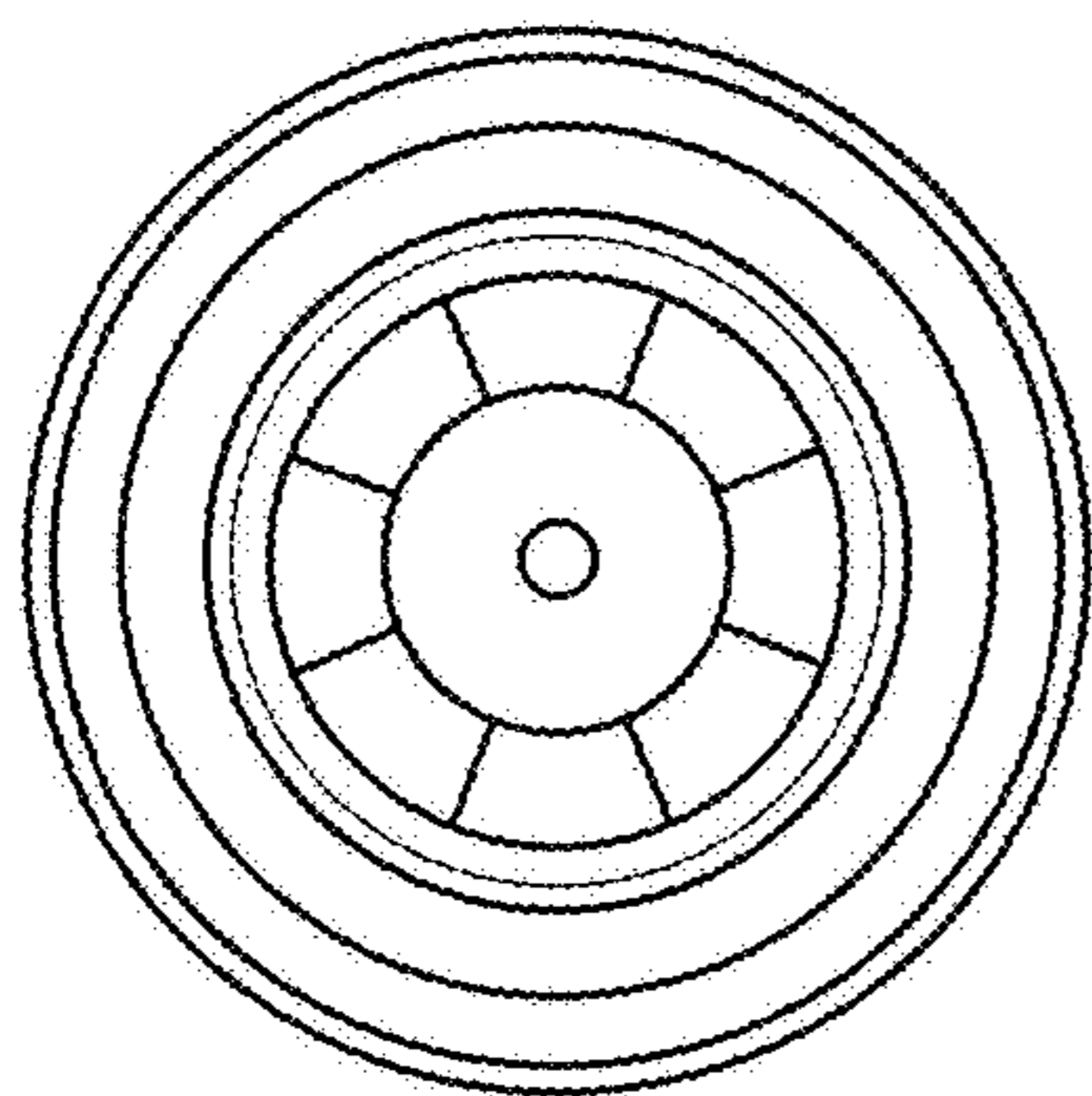


FIG. 5

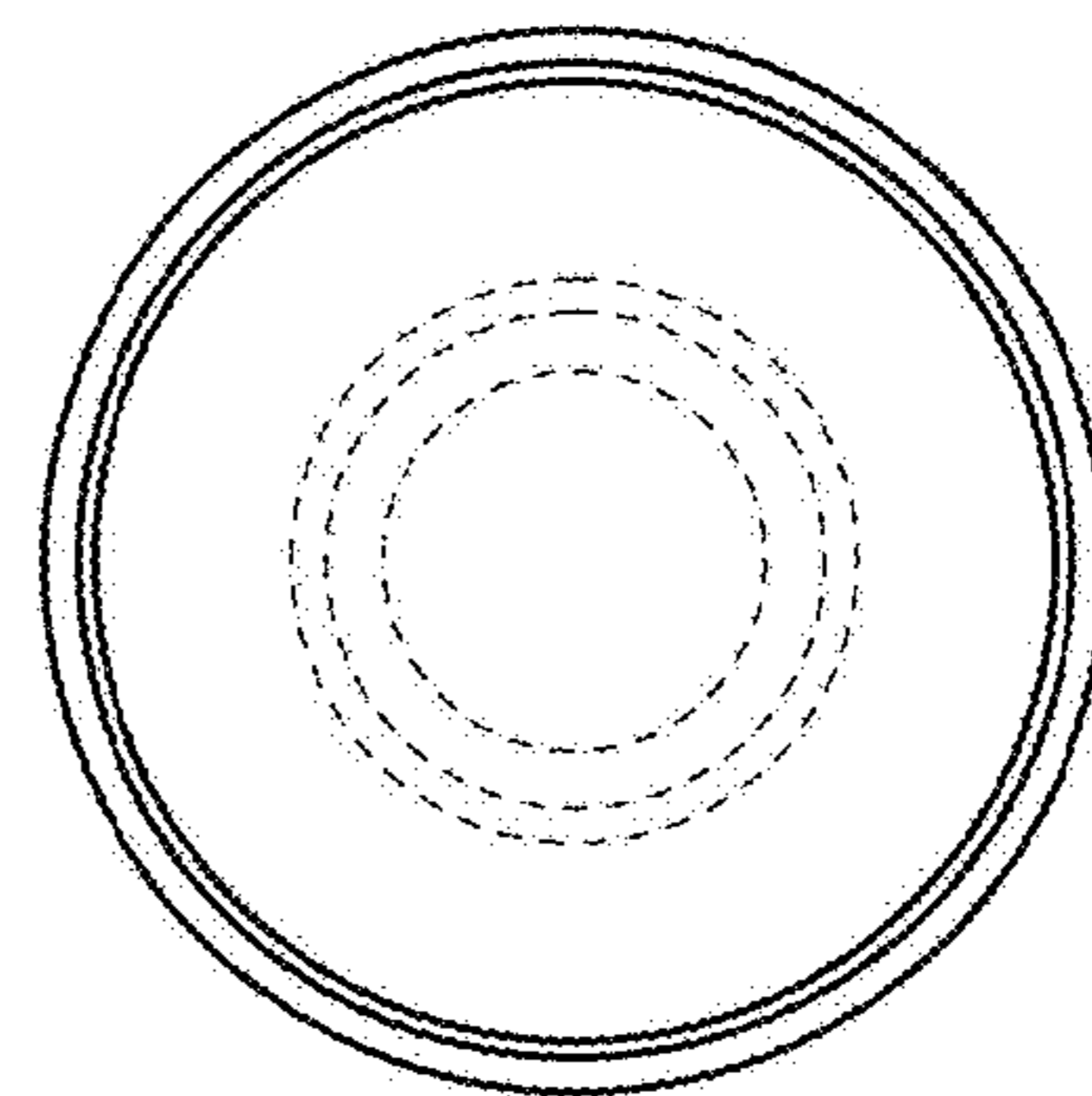


FIG. 6