

US00D967878S

(12) **United States Design Patent**
Yoon et al.

(10) **Patent No.:** **US D967,878 S**
(45) **Date of Patent:** **** Oct. 25, 2022**

(54) **DOOR FOR REFRIGERATOR**

(71) Applicant: **LG ELECTRONICS INC.**, Seoul (KR)

(72) Inventors: **Seungjin Yoon**, Seoul (KR); **Kyukwan Choi**, Seoul (KR); **Sanghun Kim**, Seoul (KR); **Wonsang Choi**, Seoul (KR)

(73) Assignee: **LG ELECTRONICS INC.**, Seoul (KR)

(**) Term: **15 Years**

(21) Appl. No.: **29/774,543**

(22) Filed: **Mar. 17, 2021**

(30) **Foreign Application Priority Data**

Sep. 18, 2020 (KR) 30-2020-0045043

(51) **LOC (13) Cl.** **15-07**

(52) **U.S. Cl.**
USPC **D15/91**

(58) **Field of Classification Search**
USPC D15/79-91; D6/661; D8/300, 316, 319, D8/320
CPC F25D 2323/021; F25D 2323/024; F25D 29/00; F25D 27/005; F25D 29/005; F25D 17/042; F25D 2325/021; F25D 11/00; F25D 11/02; F25D 11/025; F25D 23/00; F25D 23/02; F25D 23/04; F25D 23/12; F25D 23/028; F25D 25/02; F25D 25/021; F25D 25/022; F25D 25/024; F25D 25/025

See application file for complete search history.

(56) **References Cited**

U.S. PATENT DOCUMENTS

D555,178 S * 11/2007 Yeo D15/85
D579,468 S * 10/2008 Yang D15/85

D661,546 S * 6/2012 Baacke D8/316
D671,571 S * 11/2012 Shim D15/85
D681,692 S * 5/2013 Meda D15/81

(Continued)

OTHER PUBLICATIONS

LG Electronics, LROFC1104V Counter Depth Column Refrigerator, (site visited Feb. 6, 2022), LG.com website, URL:<https://www.lg.com/ca_en/refrigerators/lg-lrofc1104v> (Year: 2022).*

(Continued)

Primary Examiner — Calvin E Vansant

Assistant Examiner — Mark T. Philipps

(74) *Attorney, Agent, or Firm* — Birch, Stewart, Kolasch & Birch, LLP

(57) **CLAIM**

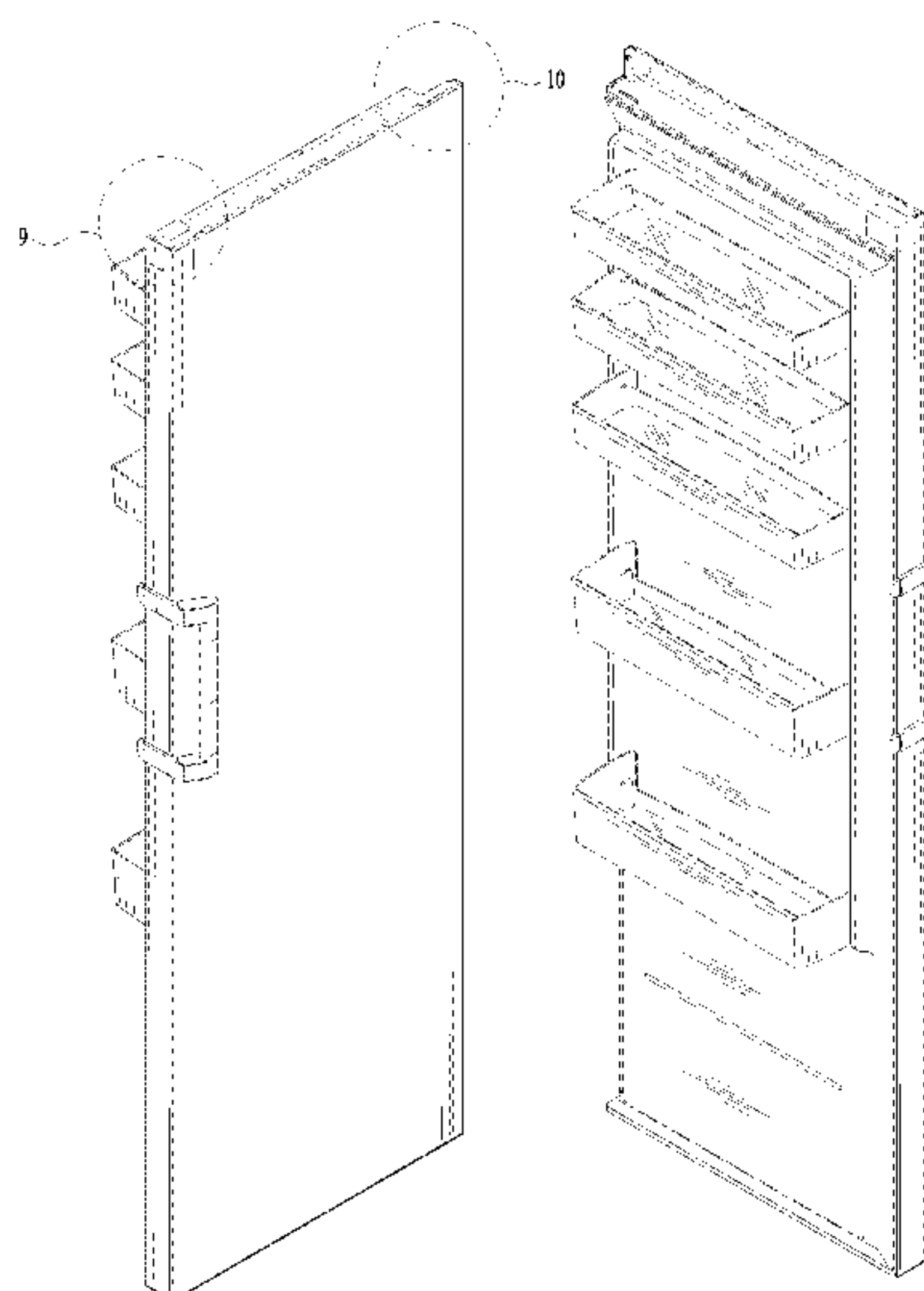
The ornamental design for a door for refrigerator, as shown and described.

DESCRIPTION

FIG. 1 is a front perspective view of the door for refrigerator showing our new design;
FIG. 2 is a front view thereof;
FIG. 3 is a back view thereof;
FIG. 4 is a left side view thereof;
FIG. 5 is a right side view thereof;
FIG. 6 is a top plan view thereof;
FIG. 7 is a bottom plan view thereof;
FIG. 8 is a back perspective view thereof;
FIG. 9 is a partial enlarged view of region 9, taken from FIG. 1;
FIG. 10 is a partial enlarged view of region 10, taken from FIG. 1; and,
FIG. 11 is a perspective view showing the state of use where the front panel has been separated from the door body for clarity.

The broken lines depict portions of the door for refrigerator that form no part of the claimed design.

1 Claim, 11 Drawing Sheets



(56)

References Cited

U.S. PATENT DOCUMENTS

D681,693	S *	5/2013	Meda	D15/85
D685,011	S *	6/2013	Meda	D15/89
D701,539	S *	3/2014	Saejin	D15/85
D718,605	S *	12/2014	Yang	D15/89
D745,579	S *	12/2015	Kim	D15/89
D789,995	S *	6/2017	Kim	D15/85
D807,928	S *	1/2018	Kim	D15/81
D820,887	S *	6/2018	Lee	D15/88
D825,619	S *	8/2018	Lee	D15/81
D841,060	S *	2/2019	Jeon	D15/91
D846,600	S *	4/2019	Guo	D15/81
D847,214	S *	4/2019	Guo	D15/81
D853,218	S *	7/2019	Lee	D8/315
D876,493	S *	2/2020	Fidler	D15/86
D909,434	S *	2/2021	Iuculano	D15/85
D921,714	S *	6/2021	Yoon	D15/86
2013/0119844	A1 *	5/2013	Seo	F25D 23/04
					312/405
2017/0082349	A1 *	3/2017	Jung	F16B 47/003

OTHER PUBLICATIONS

Samsung, 11.4 cu. ft. Column Refrigerator RZ11T747441/AA, (site visited Feb. 6, 2022), Samsung.com, URL:<<https://www.samsung.com/us/business/home-appliances/refrigerators/bspoke/11-4-cu-ft-bspoke-flex-column-refrigerator-with-customizable-colors-and-flexible-design-in-navy-glass-rz11t747441-aa/>> (Year: 2022).*

Frigidaire, FRREFR3 Column Refrigerator & Freezer Set, (site visited Feb. 6, 2022), AJ Madison Website, URL:<<https://www.ajmadison.com/cgi-bin/ajmadison/FRREFR3.html#mz-expanded-view-1011117681675>> (Year: 2022).*

* cited by examiner

FIG. 1

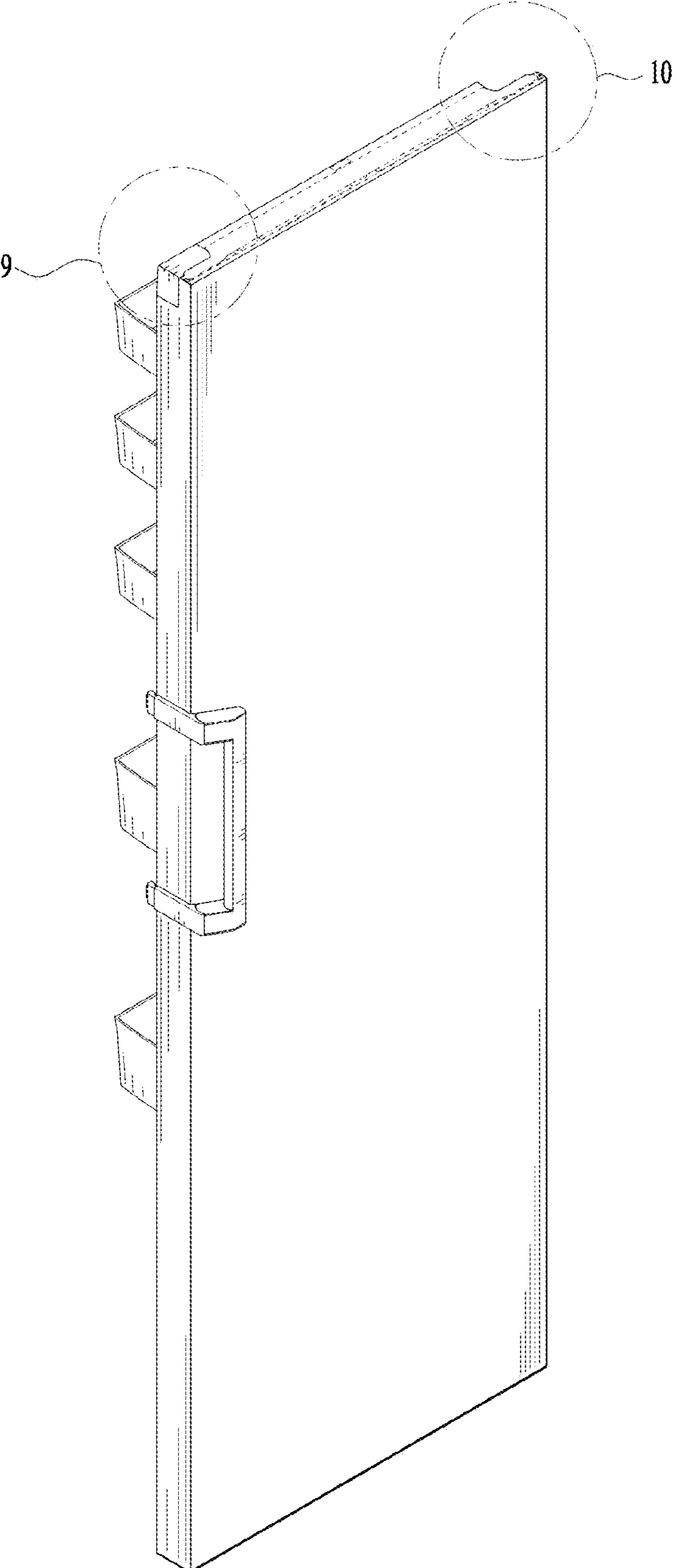


FIG. 2

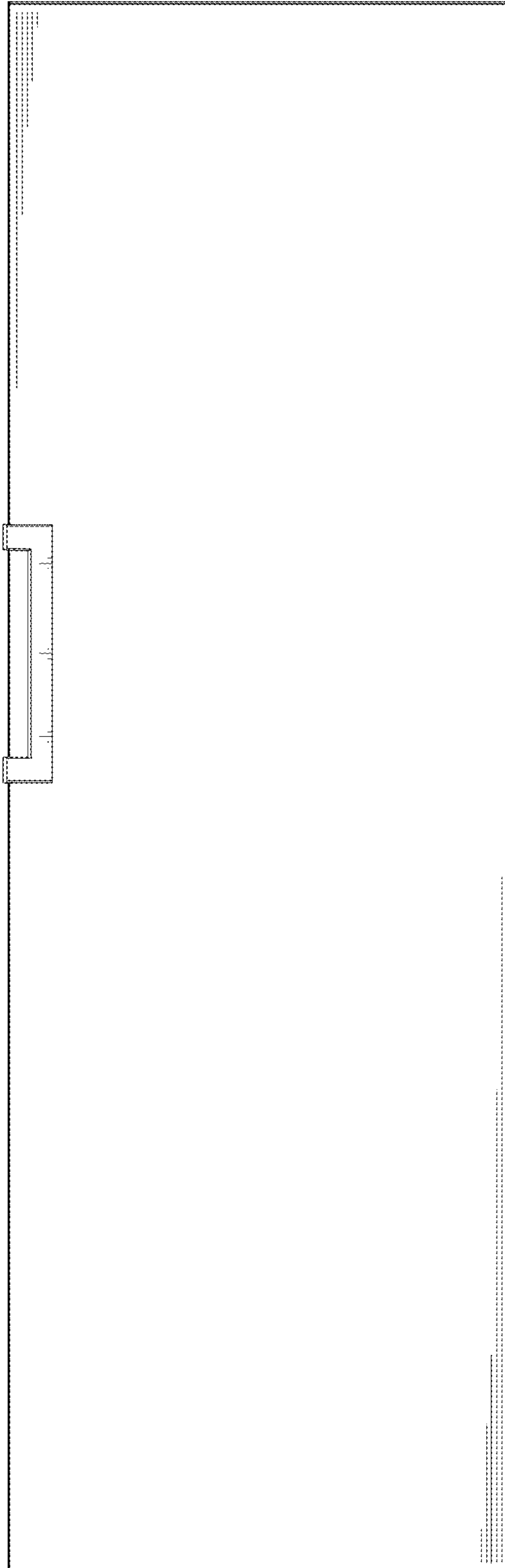


FIG. 3

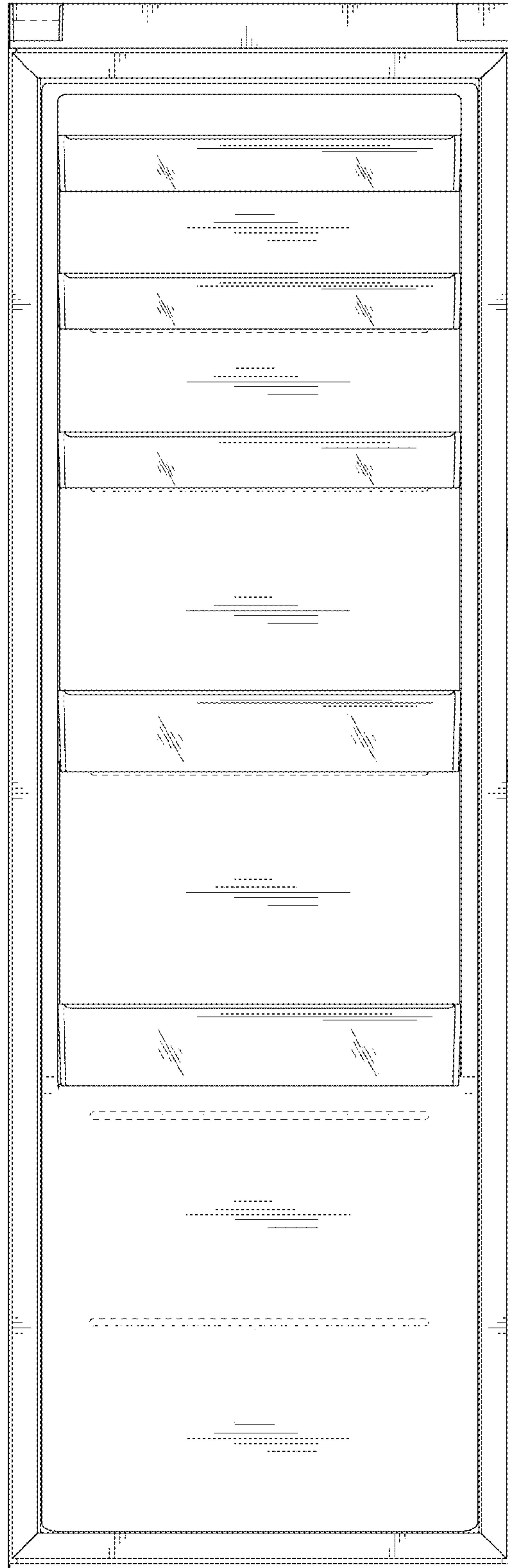


FIG. 4

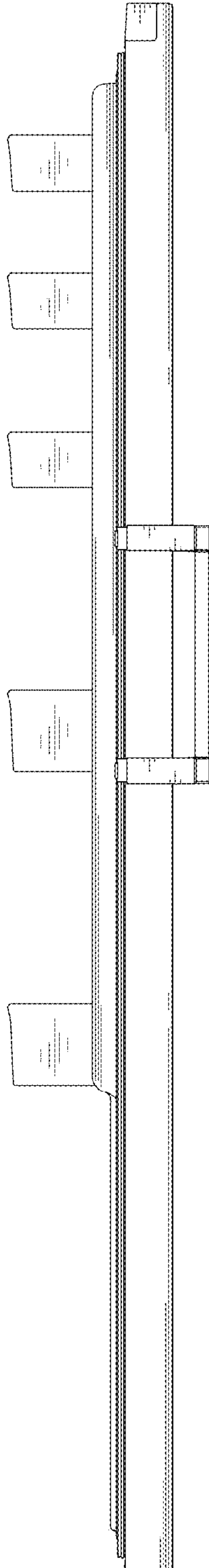


FIG. 5

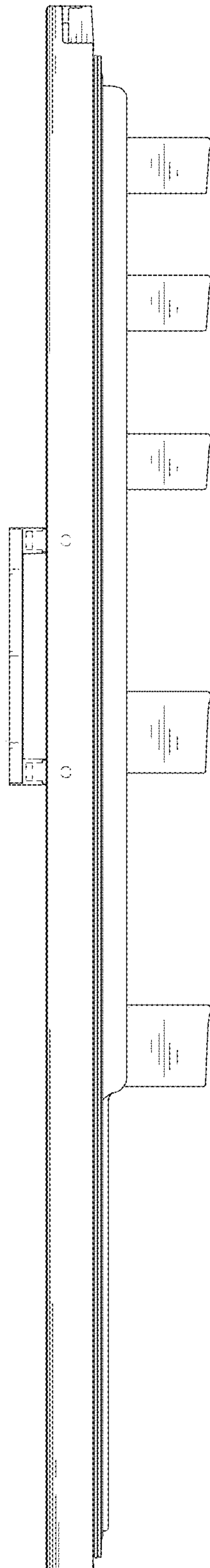


FIG. 6

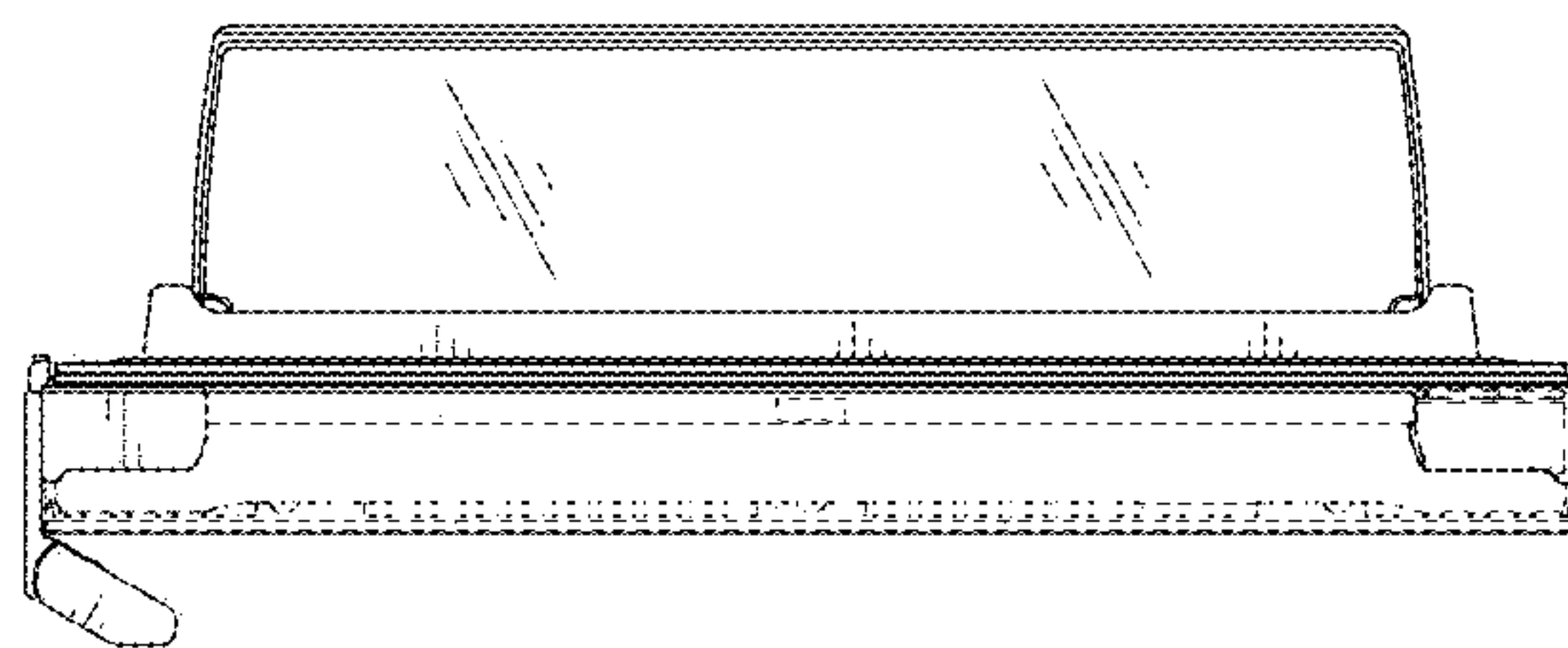


FIG. 7

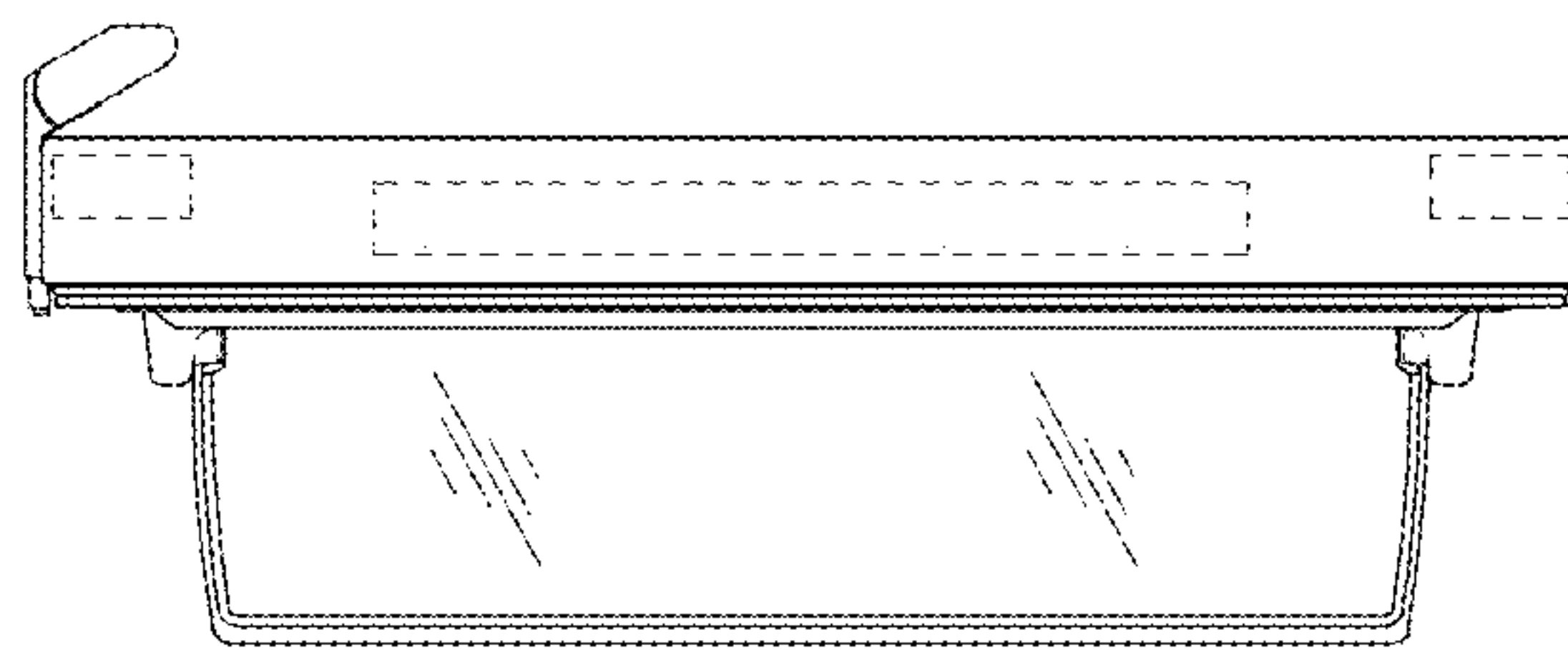


FIG. 8

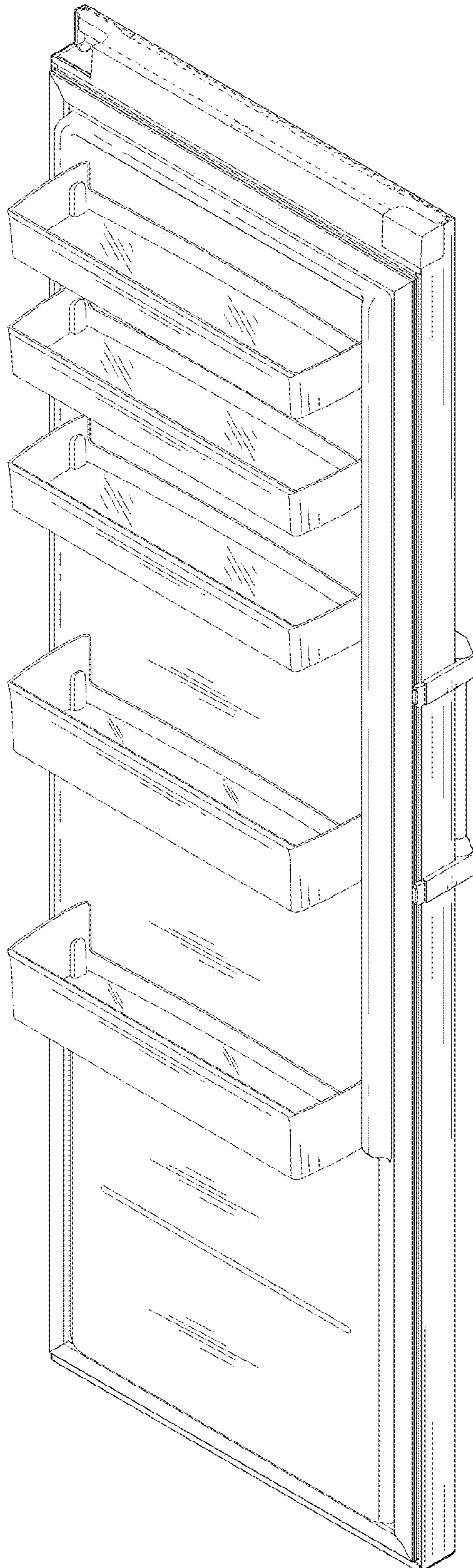


FIG. 9

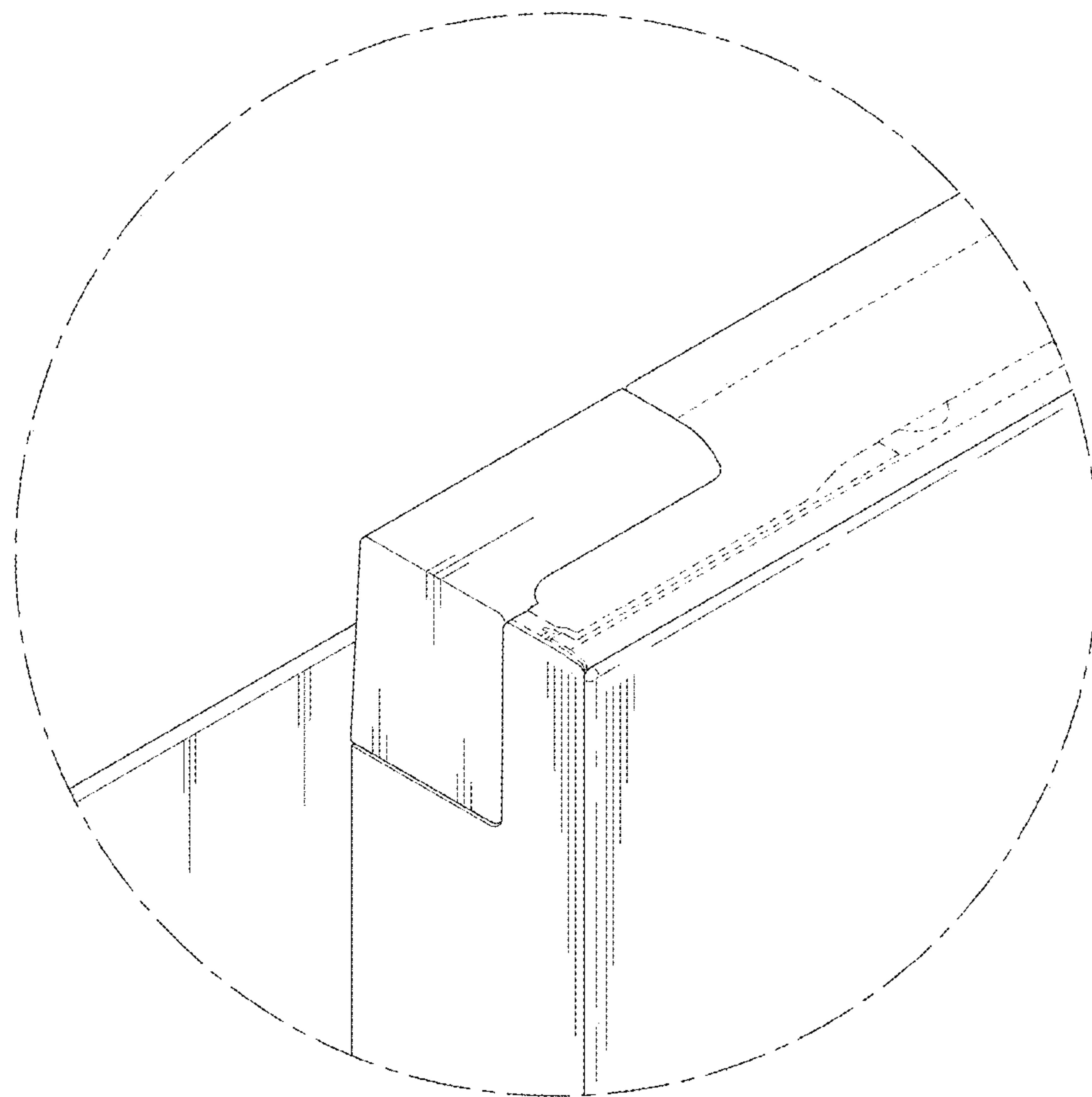


FIG. 10

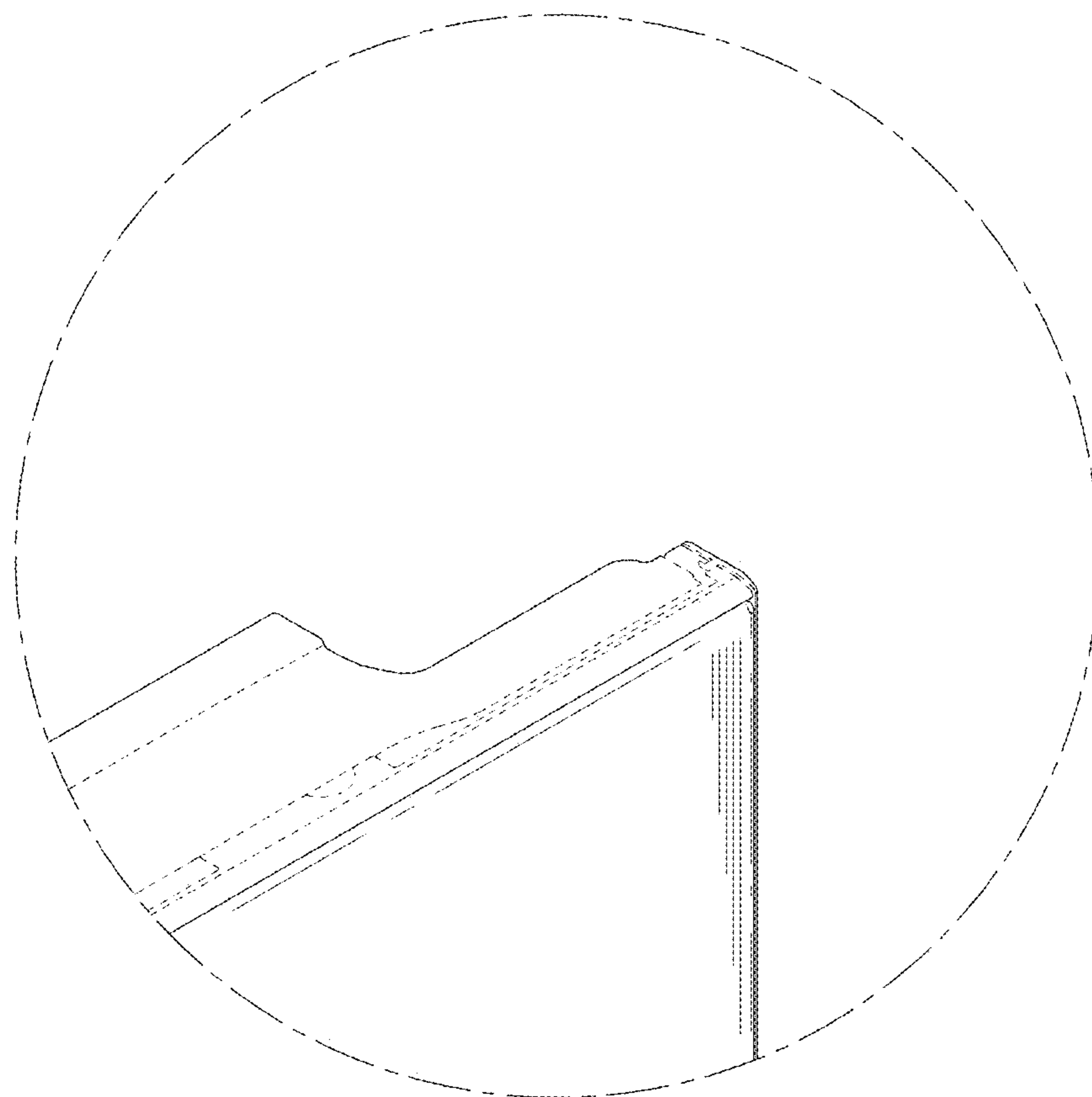


FIG. 11

