

US00D967877S

(12) **United States Design Patent**
Choi et al.

(10) **Patent No.:** **US D967,877 S**

(45) **Date of Patent:** **** Oct. 25, 2022**

(54) **REFRIGERATOR**

(71) Applicant: **LG ELECTRONICS INC.**, Seoul (KR)

(72) Inventors: **Kyukwan Choi**, Seoul (KR); **Sanghun Kim**, Seoul (KR); **Sangwoog Cho**, Seoul (KR); **Wonsang Choi**, Seoul (KR); **Seungjin Yoon**, Seoul (KR); **Sungkyong Han**, Seoul (KR)

(73) Assignee: **LG ELECTRONICS INC.**, Seoul (KR)

(**) Term: **15 Years**

(21) Appl. No.: **29/774,491**

(22) Filed: **Mar. 17, 2021**

(30) **Foreign Application Priority Data**

Sep. 18, 2020 (KR) 30-2020-0045045

(51) **LOC (13) Cl.** **15-07**

(52) **U.S. Cl.**
USPC **D15/91**; D15/79; D15/89

(58) **Field of Classification Search**
USPC D15/79-91
CPC F25D 2323/021; F25D 2323/024; F25D 29/00; F25D 27/005; F25D 29/005; F25D 17/042; F25D 2325/021; F25D 11/00; F25D 11/02; F25D 11/025; F25D 23/00; F25D 23/02; F25D 23/04; F25D 23/12; F25D 23/028; F25D 25/02; F25D 25/021; F25D 25/022; F25D 25/024; F25D 25/025; A47F 3/04; A47F 3/0404

See application file for complete search history.

(56) **References Cited**

U.S. PATENT DOCUMENTS

D518,832 S * 4/2006 Park D15/81
D639,315 S * 6/2011 Yang D15/85
D639,317 S * 6/2011 Yang D15/86
D640,294 S * 6/2011 Kwon D15/85

(Continued)

OTHER PUBLICATIONS

LG Electronics, LRFDS3016S 36 Inch Smart French Door Craft Ice Refrigerator, (site visited Dec. 16, 2021), AJ Madison website, URL:<<https://www.ajmadison.com/cgi-bin/ajmadison/LRFDS3016.html>> (Year: 2021).*

(Continued)

Primary Examiner — Calvin E Vansant

Assistant Examiner — Mark T. Philipps

(74) *Attorney, Agent, or Firm* — Birch, Stewart, Kolasch & Birch, LLP

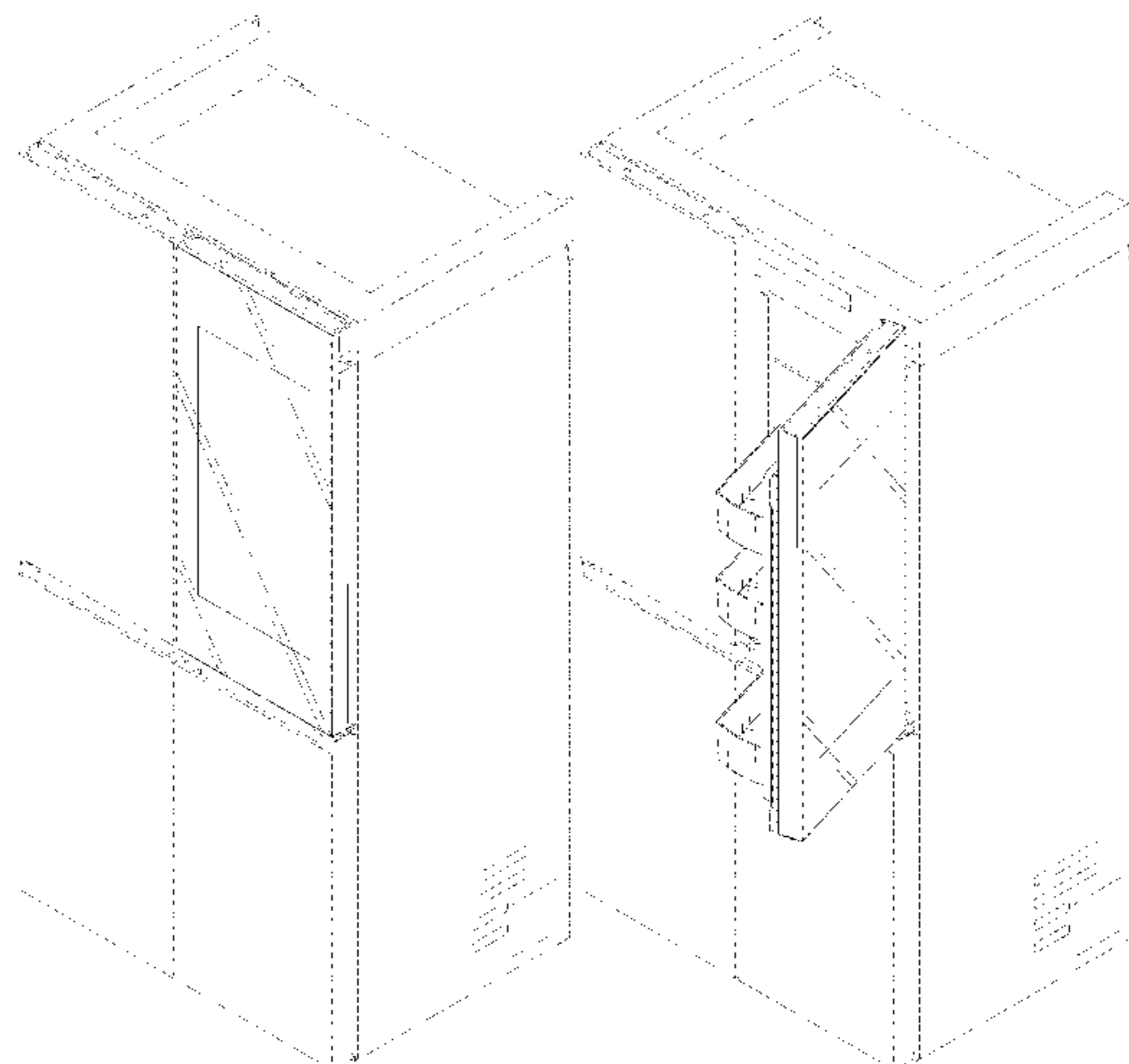
(57) **CLAIM**

The ornamental design for a refrigerator, as shown and described.

DESCRIPTION

FIG. 1 is a front perspective view of the refrigerator showing our new design;
FIG. 2 is a front view thereof;
FIG. 3 is a back view thereof;
FIG. 4 is a left side view thereof;
FIG. 5 is a right side view thereof;
FIG. 6 is a top plan view thereof;
FIG. 7 is a bottom plan view thereof;
FIG. 8 is a front perspective view in a condition that the door of the upper right part of the front has been opened;
FIG. 9 is a front view of FIG. 8;
FIG. 10 is a back view of FIG. 8;
FIG. 11 is a left side view of FIG. 8;
FIG. 12 is a right side view of FIG. 8;
FIG. 13 is a top plan view of FIG. 8; and,
FIG. 14 is a bottom plan view of FIG. 8.
The broken lines depict portions of the refrigerator that form no part of the claimed design.

1 Claim, 14 Drawing Sheets



(56)

References Cited

U.S. PATENT DOCUMENTS

D655,321 S * 3/2012 Lee D15/86
 D657,805 S * 4/2012 Cho D15/86
 D671,572 S * 11/2012 Seo D15/86
 D685,010 S * 6/2013 Seo D15/86
 D709,105 S * 7/2014 Saejin D15/85
 D710,402 S * 8/2014 Jeon D15/86
 D715,335 S * 10/2014 Kim D15/85
 D729,285 S * 5/2015 Seo D15/85
 D773,539 S * 12/2016 Kim D15/86
 D780,815 S * 3/2017 Seo D15/91
 D786,317 S * 5/2017 Kim D15/85
 D798,915 S * 10/2017 Vicari D15/86
 D807,410 S * 1/2018 Cho D15/86
 D814,533 S * 4/2018 Kim D15/85
 D832,312 S * 10/2018 Kim D15/86
 10,342,363 B2 * 7/2019 Park F21V 23/002
 D869,518 S * 12/2019 Lee D15/85

D895,695 S * 9/2020 Choi D15/85
 2015/0069900 A1 * 3/2015 Lim F25D 23/025
 312/405
 2015/0225225 A1 * 8/2015 Tae B67D 1/0858
 222/146.2

OTHER PUBLICATIONS

Samsung, RF23A9671SR 36 Inch Counter Depth 4-Door Flex™ Smart Refrigerator, (site visited Dec. 16, 2021), AJ Madison website, URL:<<https://www.ajmadison.com/cgi-bin/ajmadison/RF23A9671.html>> (Year: 2021).*

Cafe, CQE28DM5NS5 36 Inch 4-Door French Door Smart Refrigerator, (site visited Dec. 16, 2021), AJ Madison website, URL:<<https://www.ajmadison.com/cgi-bin/ajmadison/CQE28DM5NS5.html>> (Year: 2021).*

Dacor, DRF36C700SR 36 Inch Smart French Door Refrigerator, (site visited Dec. 16, 2021), AJ Madison website, URL:<<https://www.ajmadison.com/cgi-bin/ajmadison/DRF36C700X.html>> (Year: 2021).*

* cited by examiner

FIG. 1

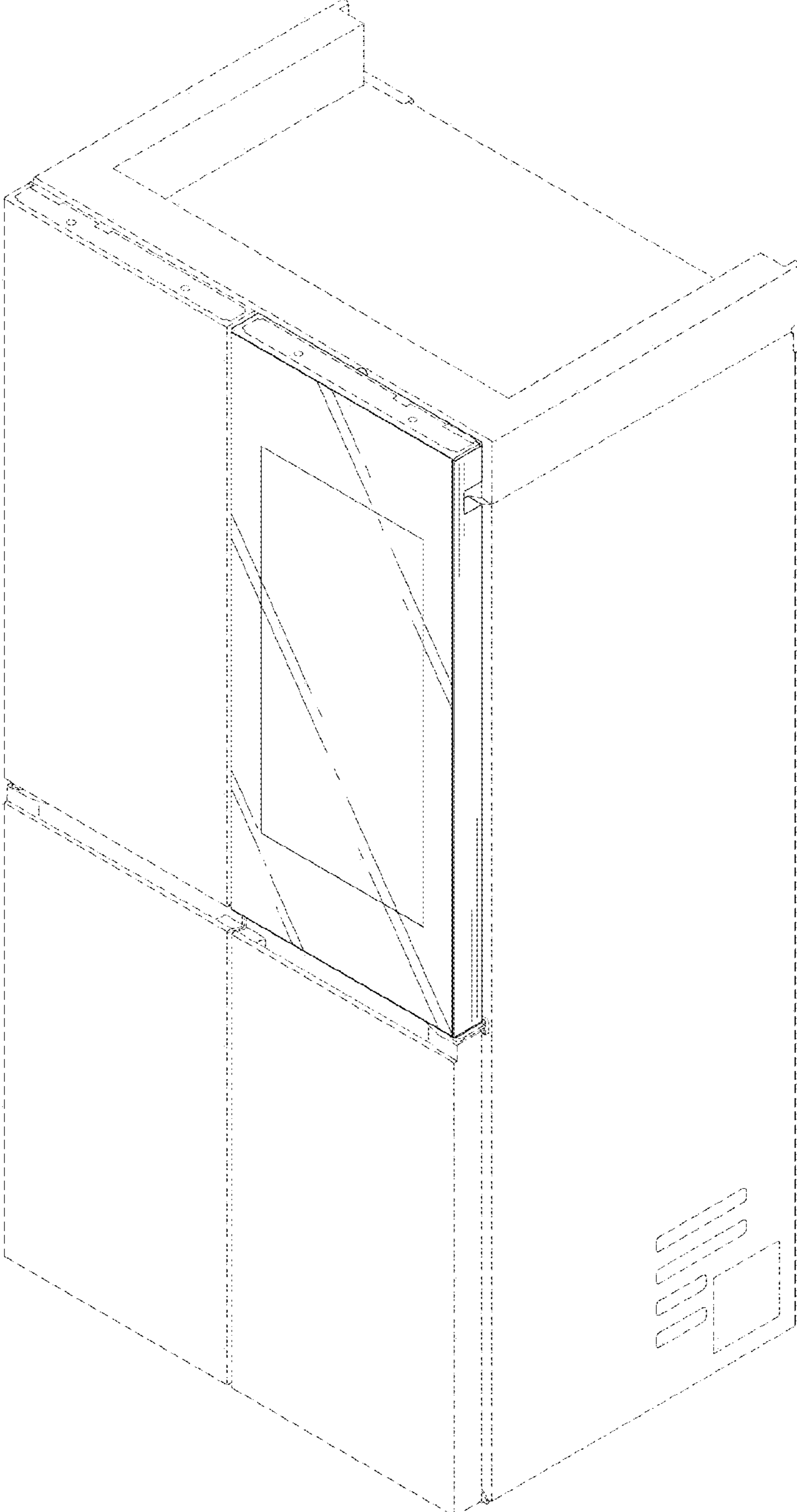


FIG. 2

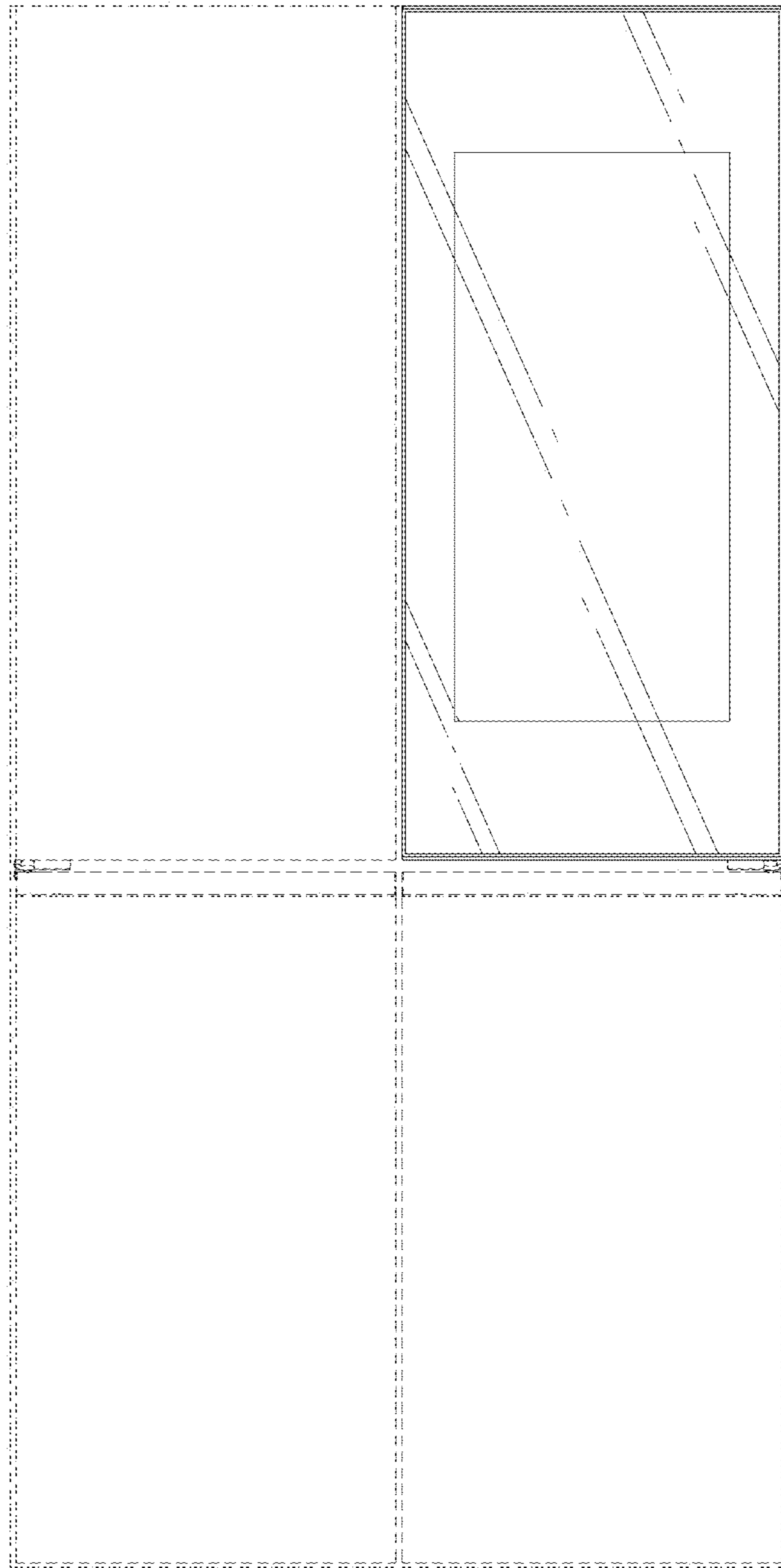


FIG. 3



FIG. 4

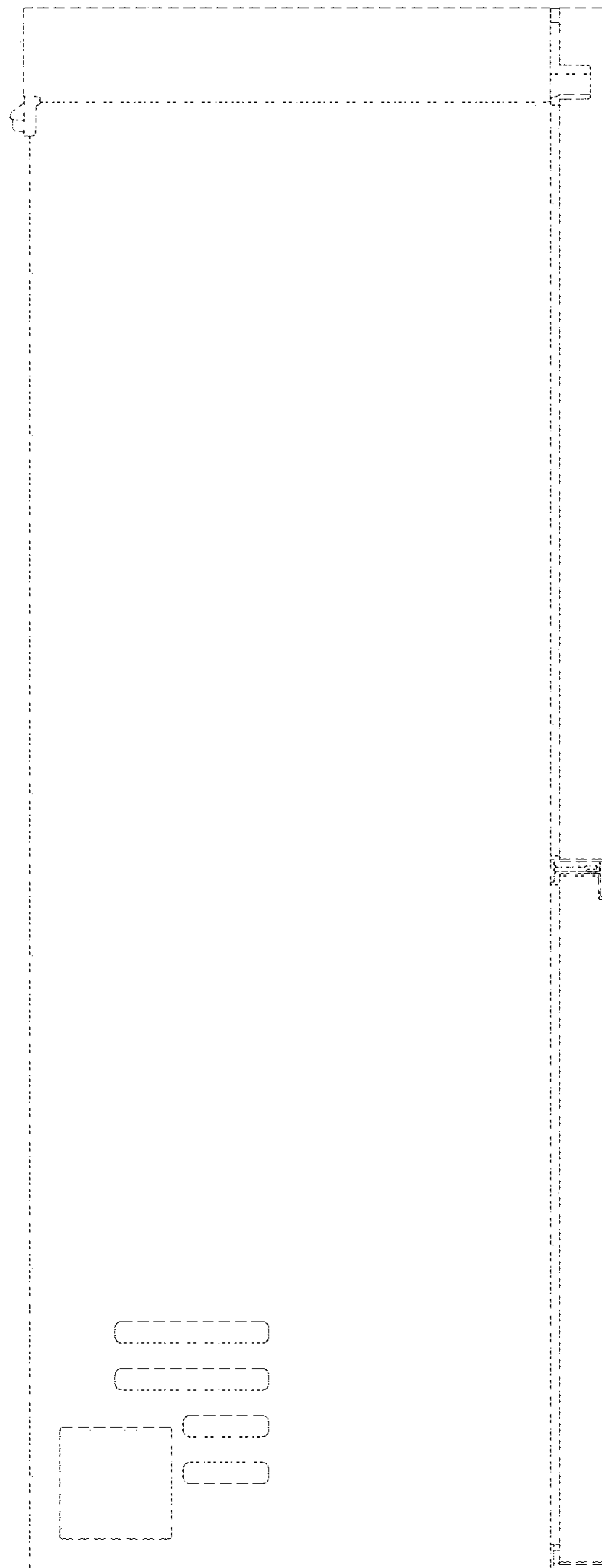


FIG. 5

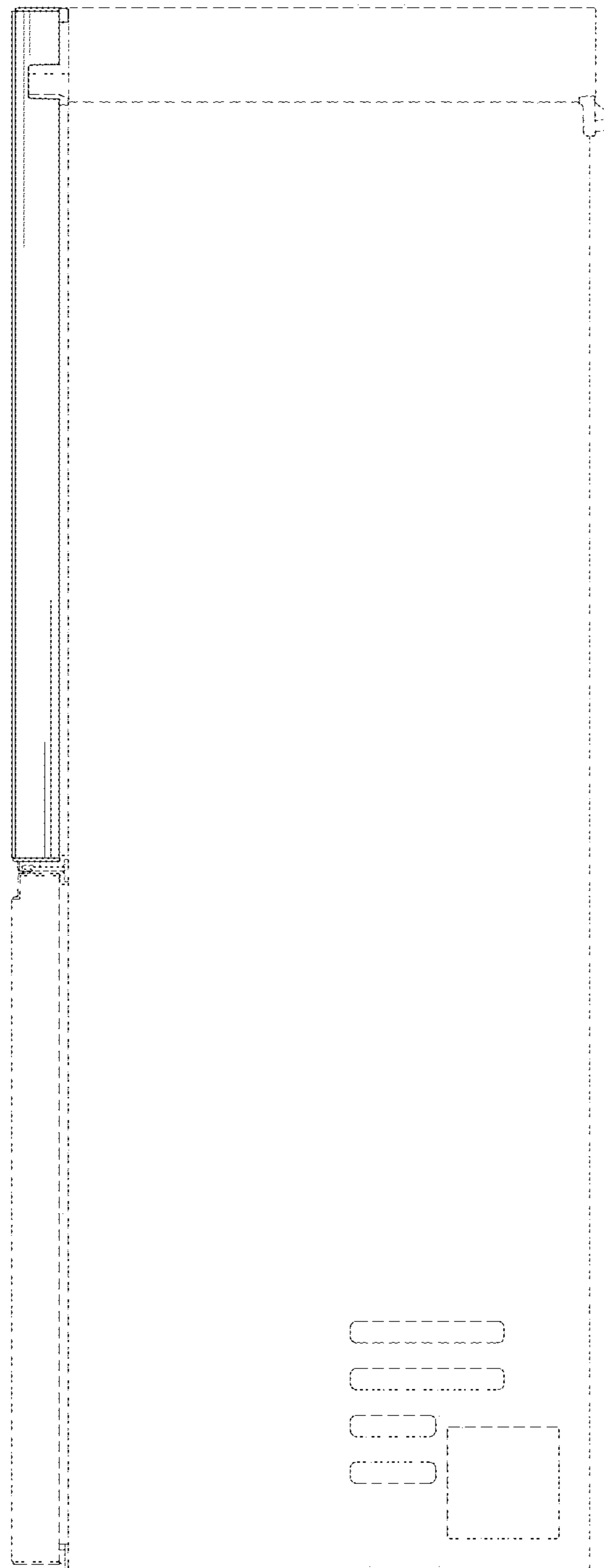


FIG. 6

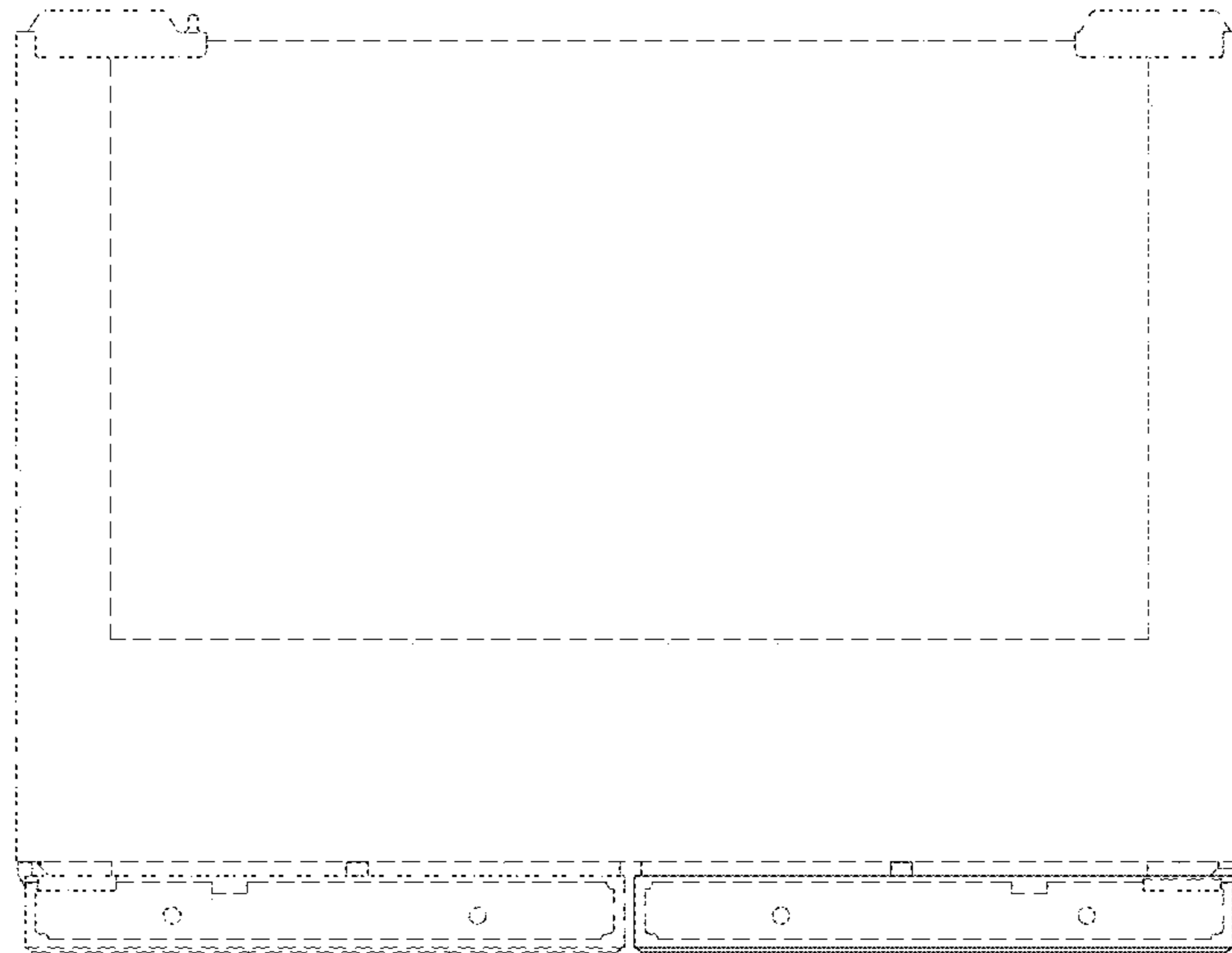


FIG. 7

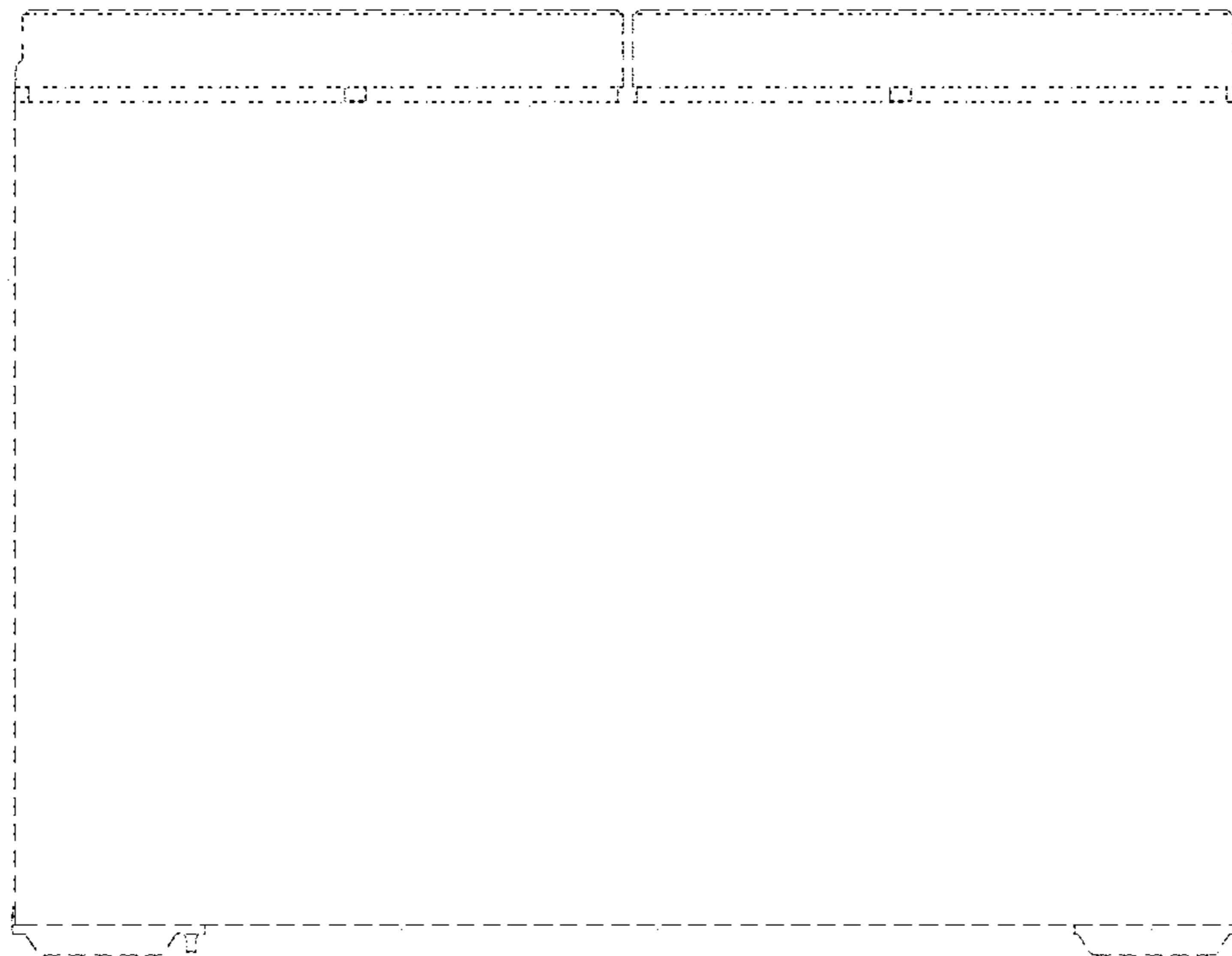


FIG. 8

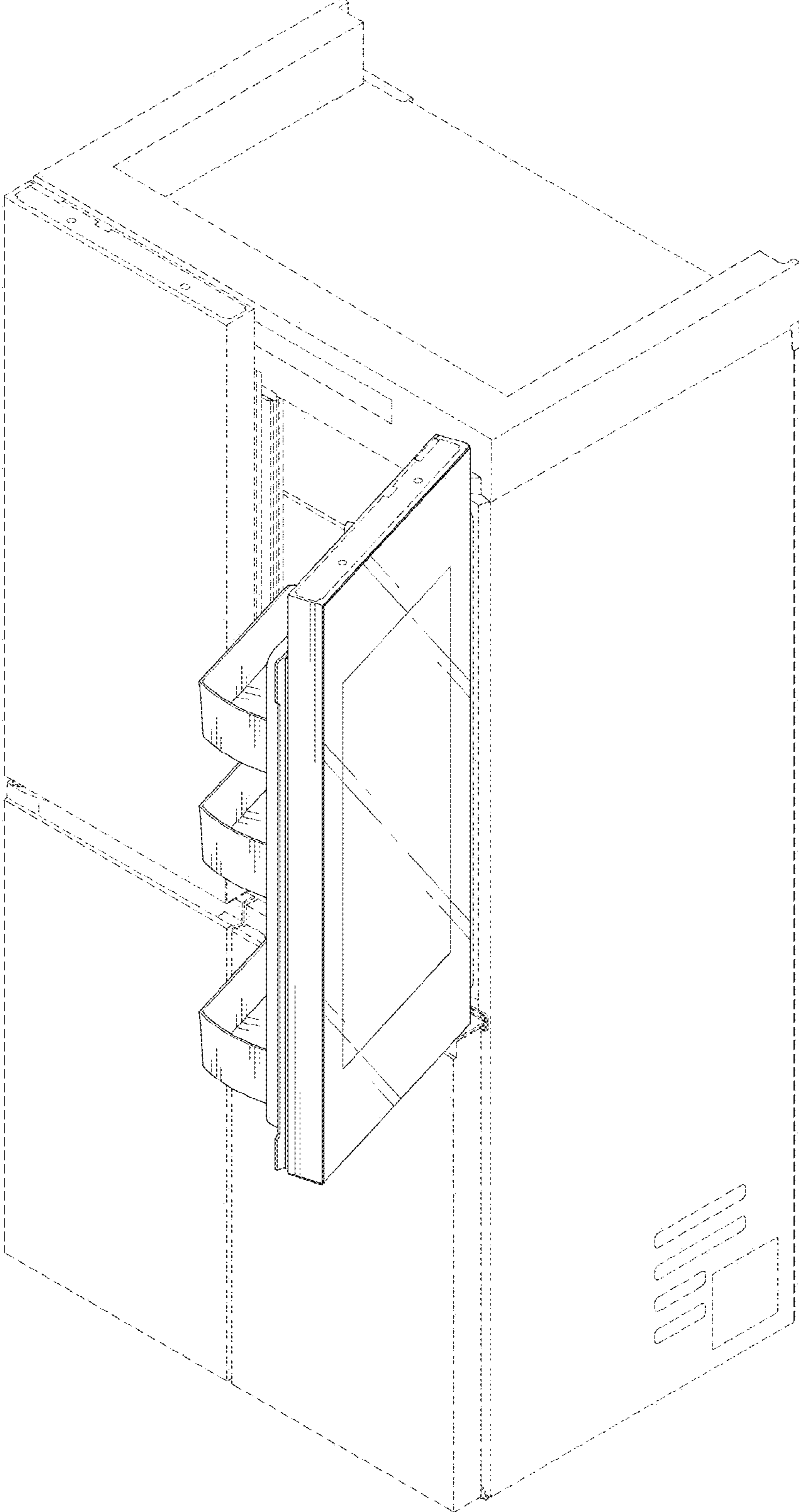


FIG. 9

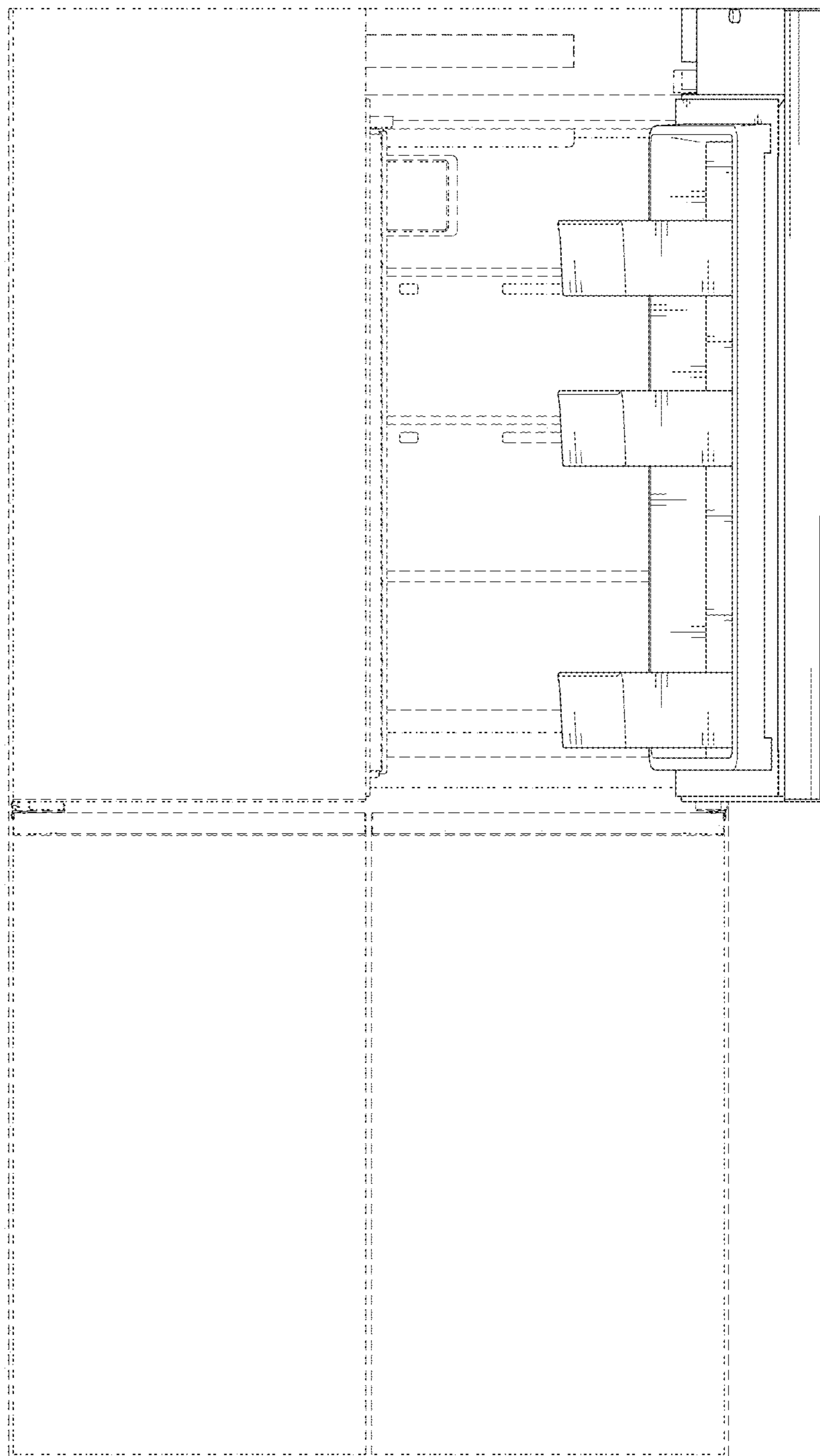


FIG. 10

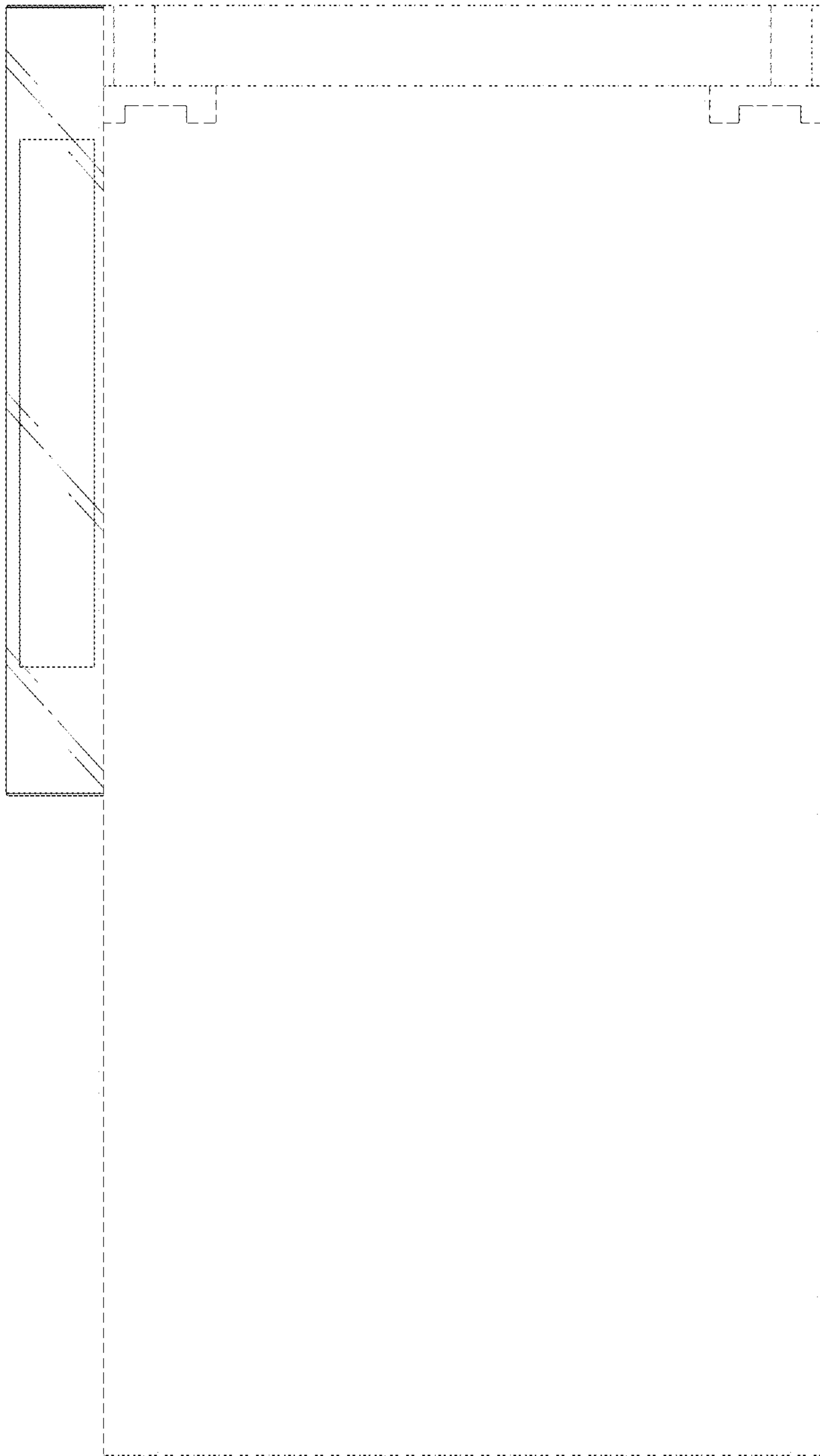


FIG. 11

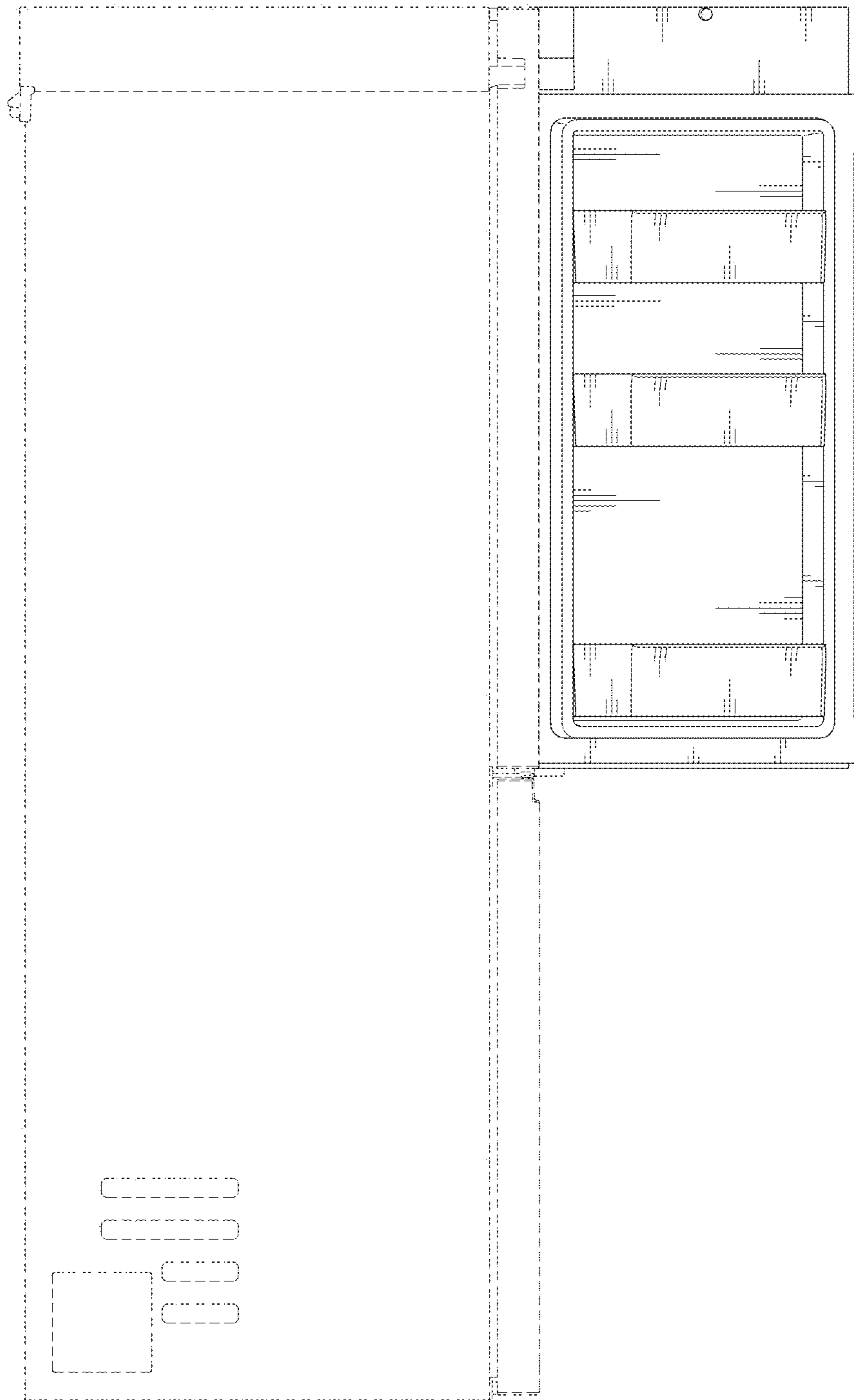


FIG. 12

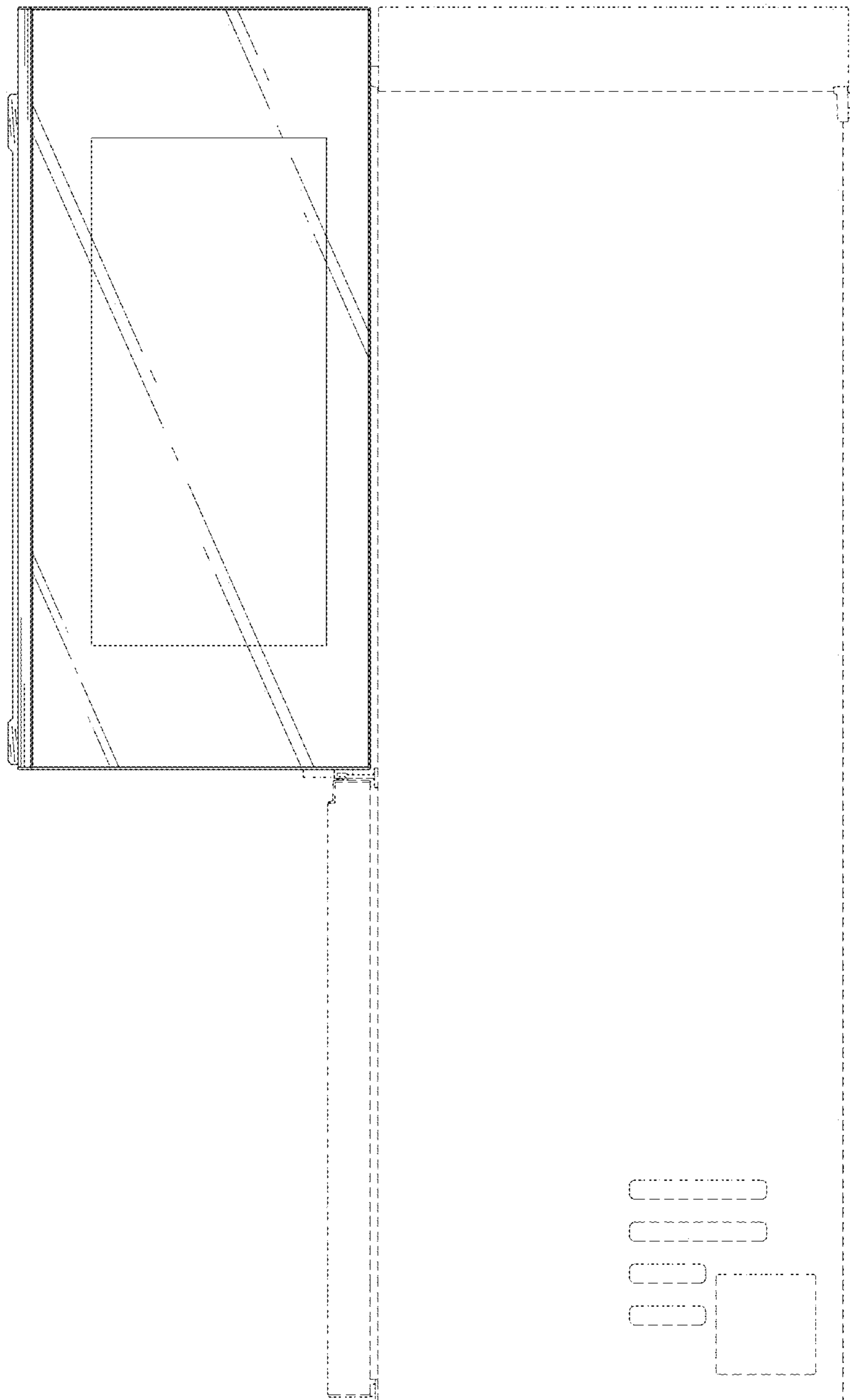


FIG. 13

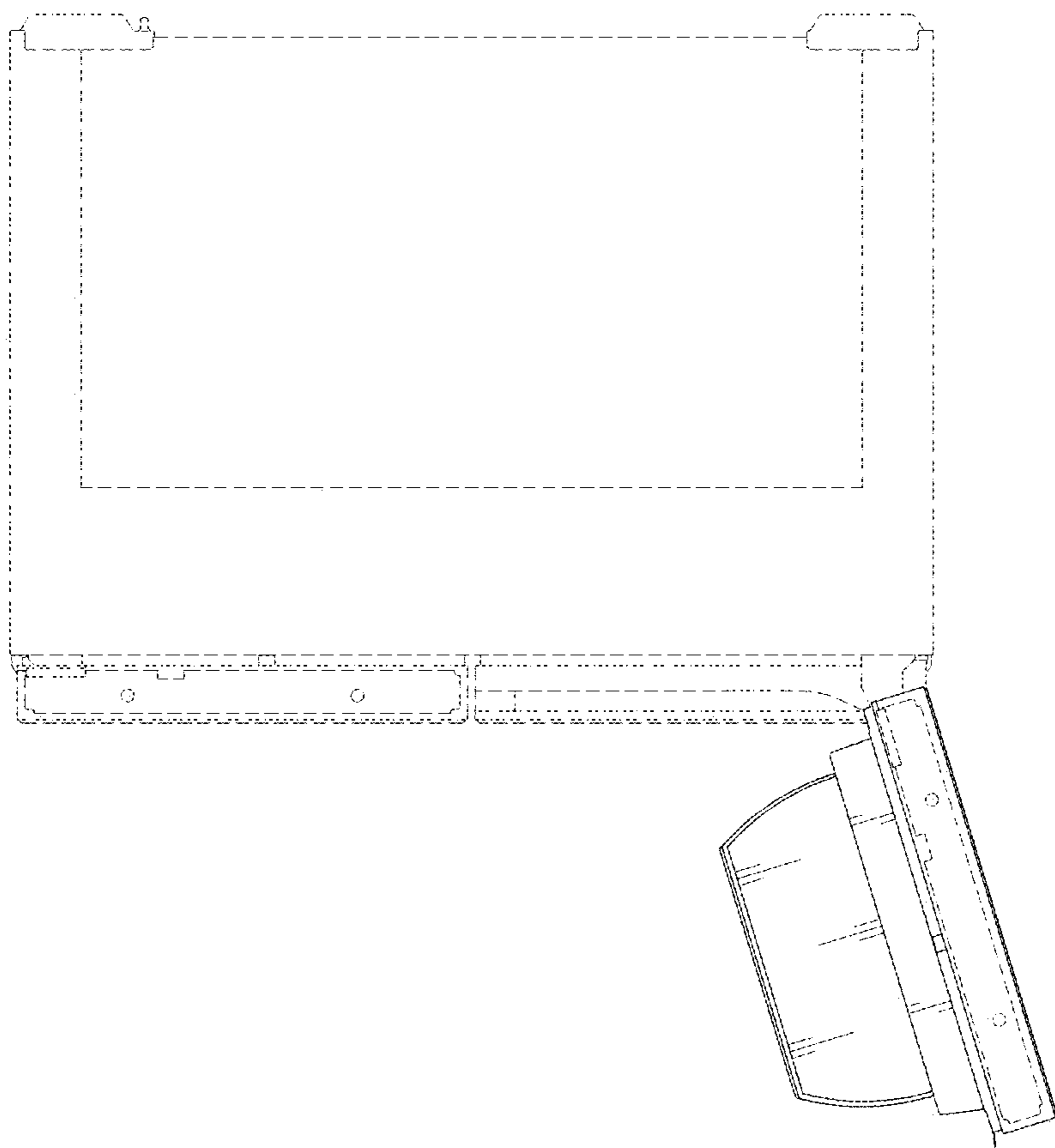


FIG. 14

