



US00D967876S

(12) **United States Design Patent**
Yoon et al.

(10) **Patent No.:** **US D967,876 S**
(45) **Date of Patent:** **** Oct. 25, 2022**

(54) **REFRIGERATOR**

- (71) Applicant: **LG ELECTRONICS INC.**, Seoul (KR)
- (72) Inventors: **Seungjin Yoon**, Seoul (KR); **Kyukwan Choi**, Seoul (KR); **Sanghun Kim**, Seoul (KR); **Wonsang Choi**, Seoul (KR)
- (73) Assignee: **LG ELECTRONICS INC.**, Seoul (KR)
- (**) Term: **15 Years**
- (21) Appl. No.: **29/774,484**
- (22) Filed: **Mar. 17, 2021**

(30) **Foreign Application Priority Data**

Sep. 18, 2020 (KR) 30-2020-0045044

(51) **LOC (13) Cl.** **15-07**

(52) **U.S. Cl.**
USPC **D15/91**; D15/79; D15/89

(58) **Field of Classification Search**
USPC D15/79-91; D6/661; D8/300, 316, 319, D8/320
CPC F25D 2323/021; F25D 2323/024; F25D 29/00; F25D 27/005; F25D 29/005; F25D 17/042; F25D 2325/021; F25D 11/00; F25D 11/02; F25D 11/025; F25D 23/00; F25D 23/02; F25D 23/04; F25D 23/12; F25D 23/028; F25D 25/02; F25D 25/021; F25D 25/022; F25D 25/024; F25D 25/025

See application file for complete search history.

(56) **References Cited**

U.S. PATENT DOCUMENTS

- D555,178 S * 11/2007 Yeo D15/85
- D579,468 S * 10/2008 Yang D15/85

(Continued)

OTHER PUBLICATIONS

LG Electronics, LROFC1104V Counter Depth Column Refrigerator, (site visited Feb. 6, 2022), LG.com website, URL:<https://www.lg.com/ca_en/refrigerators/lg-lrofc1104v> (Year: 2022).*

(Continued)

Primary Examiner — Calvin E Vansant

Assistant Examiner — Mark T. Philipps

(74) *Attorney, Agent, or Firm* — Birch, Stewart, Kolasch & Birch, LLP

(57) **CLAIM**

The ornamental design for a refrigerator, as shown and described.

DESCRIPTION

FIG. 1 is a front perspective view of the refrigerator showing our new design;

FIG. 2 is a front view thereof;

FIG. 3 is a back view thereof;

FIG. 4 is a left side view thereof;

FIG. 5 is a right side view thereof;

FIG. 6 is a top plan view thereof;

FIG. 7 is a bottom plan view thereof;

FIG. 8 is a partial enlarged view of region 8, taken from FIG. 1;

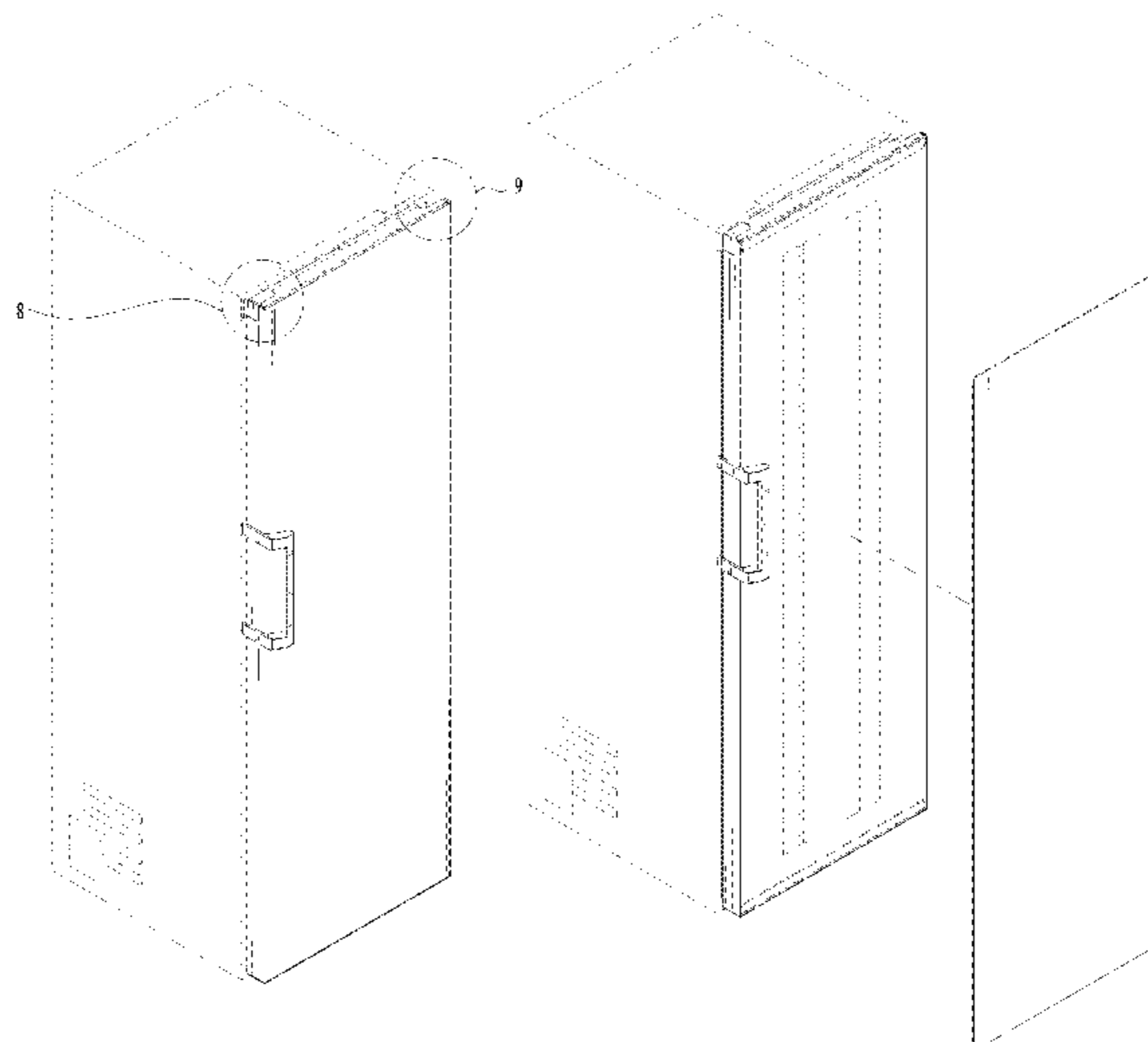
FIG. 9 is a partial enlarged view of region 9, taken from FIG. 1;

FIG. 10 is a perspective view showing the state of use that the handle has been attached at the right side of the front panel, and the opening direction of the front door has been changed; and,

FIG. 11 is a perspective view showing the state of use that the front panel has been separated from the door body for clarity.

The broken lines depict portions of the refrigerator that form no part of the claimed design.

1 Claim, 11 Drawing Sheets



(56)

References Cited

U.S. PATENT DOCUMENTS

D661,546 S * 6/2012 Baacke D8/316
 D671,571 S * 11/2012 Shim D15/85
 D681,692 S * 5/2013 Meda D15/81
 D681,693 S * 5/2013 Meda D15/85
 D685,011 S * 6/2013 Meda D15/89
 D701,539 S * 3/2014 Saejin D15/85
 D718,605 S * 12/2014 Yang D15/89
 D745,579 S * 12/2015 Kim D15/89
 D789,995 S * 6/2017 Kim D15/85
 D807,928 S * 1/2018 Kim D15/81
 D820,887 S * 6/2018 Lee D15/88
 D825,619 S * 8/2018 Lee D15/81
 D841,060 S * 2/2019 Jeon D15/91
 D846,600 S * 4/2019 Guo D15/81
 D847,214 S * 4/2019 Guo D15/81
 D853,218 S * 7/2019 Lee D8/315
 D876,493 S * 2/2020 Fidler D15/86

D909,434 S * 2/2021 Iuculano D15/85
 D921,714 S * 6/2021 Yoon D15/86
 2013/0119844 A1* 5/2013 Seo F25D 23/04
 312/405
 2017/0082349 A1* 3/2017 Jung F16B 47/003

OTHER PUBLICATIONS

Samsung, 11.4 cu. ft. Column Refrigerator RZ11T747441/AA, (site visited Feb. 6, 2022), Samsung.com, URL:<<https://www.samsung.com/us/business/home-appliances/refrigerators/bspoke/11-4-cu-ft-bspoke-flex-column-refrigerator-with-customizable-colors-and-flexible-design-in-navy-glass-rz11t747441-aa/>> (Year: 2022).*
 Frigidaire, FRREFR3 Column Refrigerator & Freezer Set, (site visited Feb. 6, 2022), AJ Madison Website, URL:<<https://www.ajmadison.com/cgi-bin/ajmadison/FRREFR3.html#mz-expanded-view-1011117681675>> (Year: 2022).*

* cited by examiner

FIG. 1

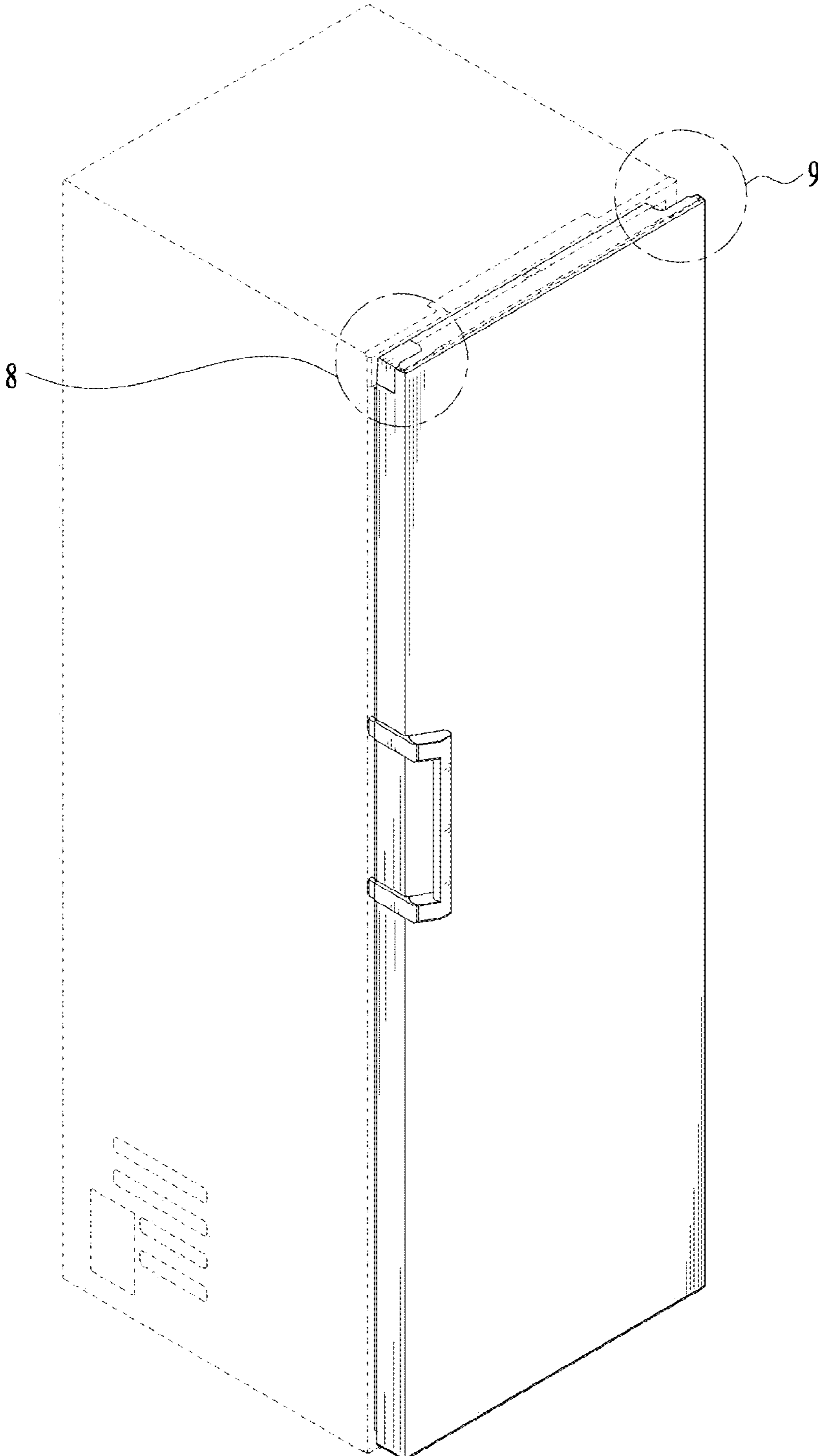


FIG. 2

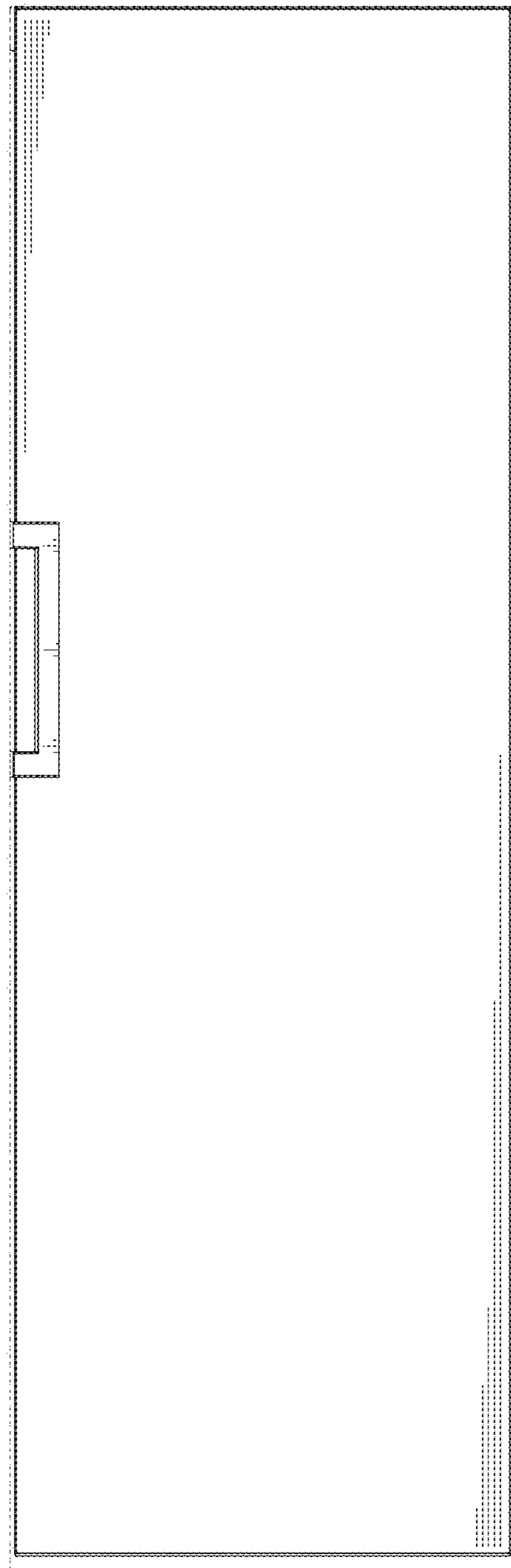


FIG. 3

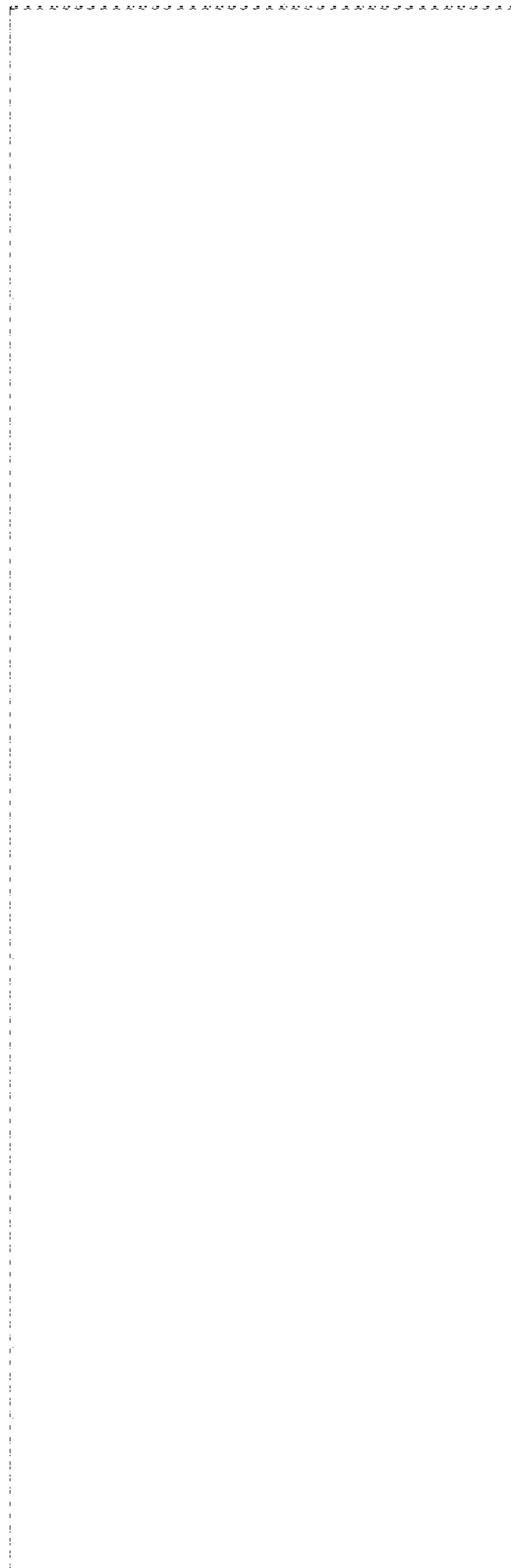


FIG. 4

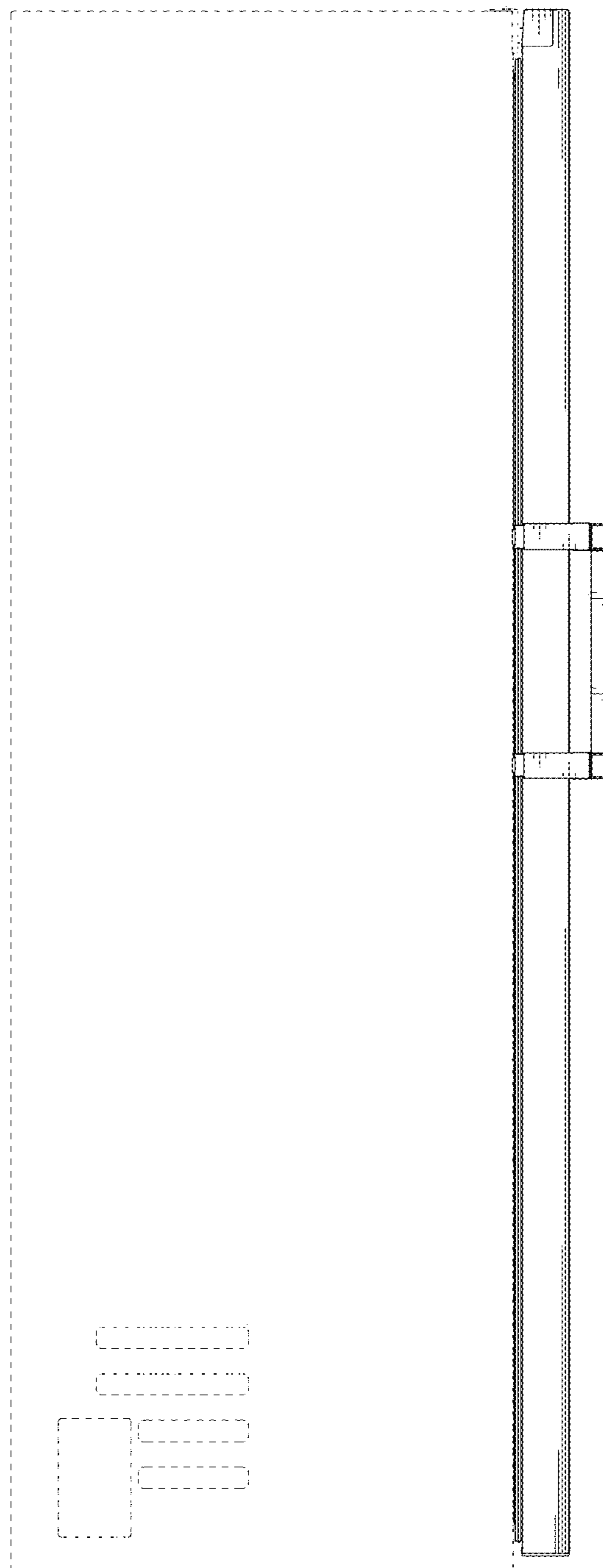


FIG. 5

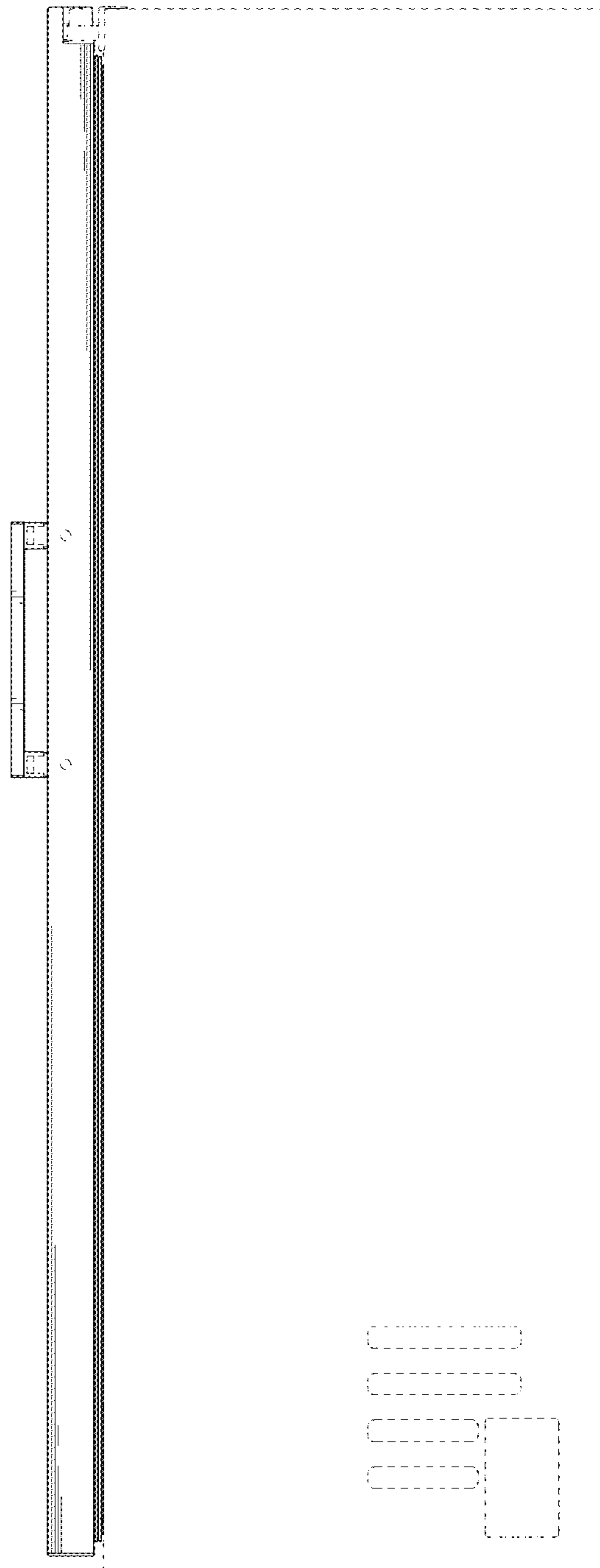


FIG. 6

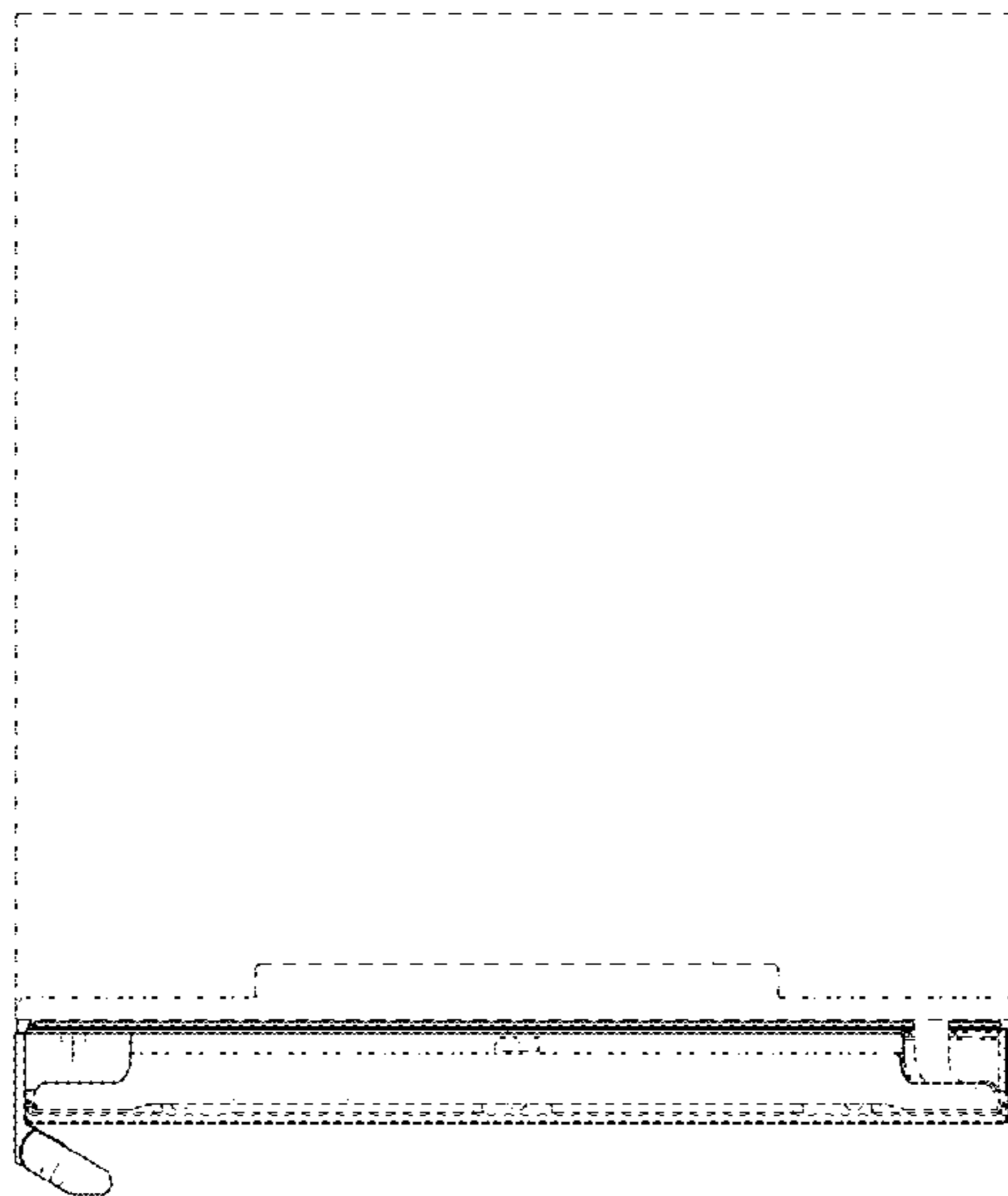


FIG. 7

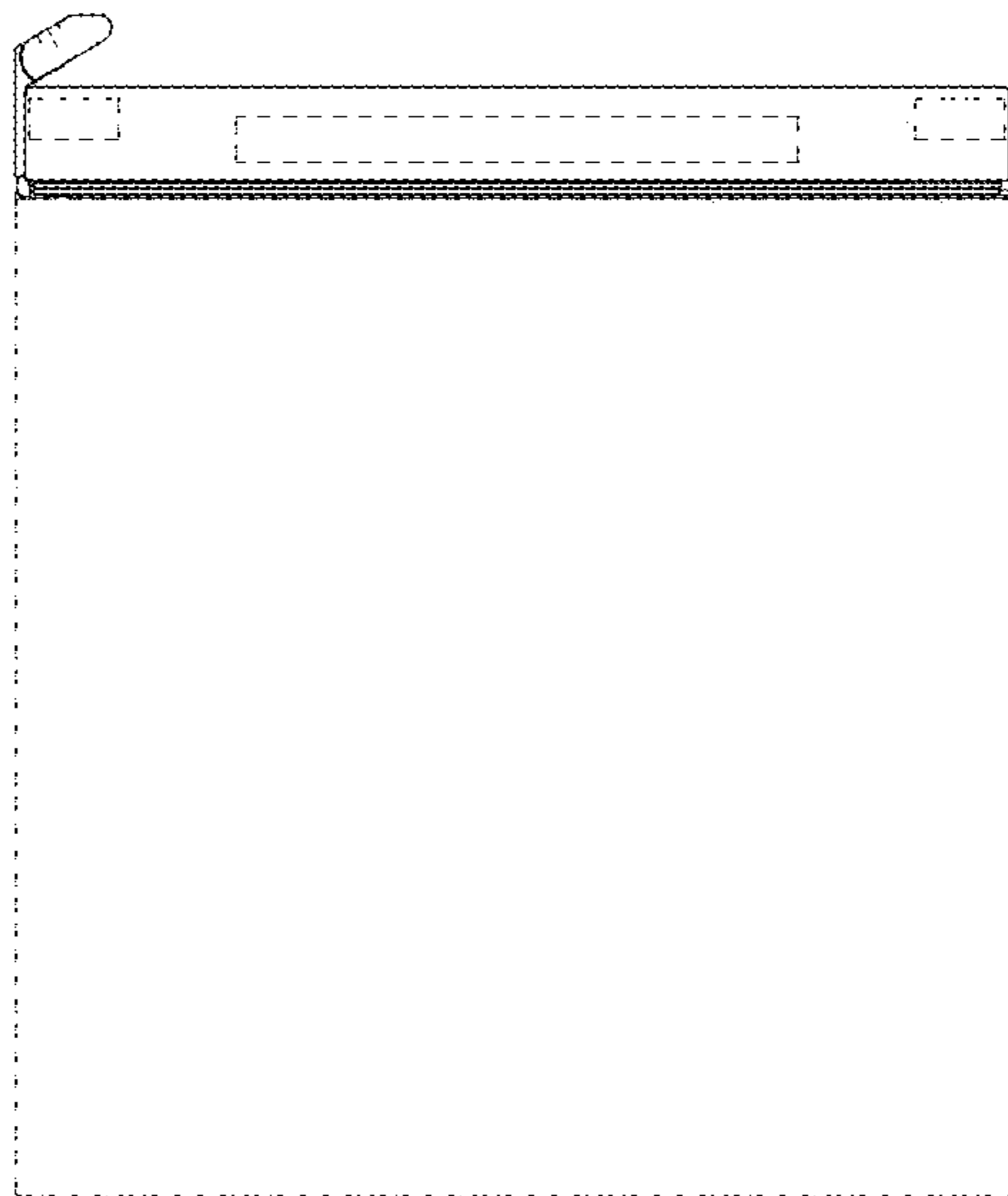


FIG. 8

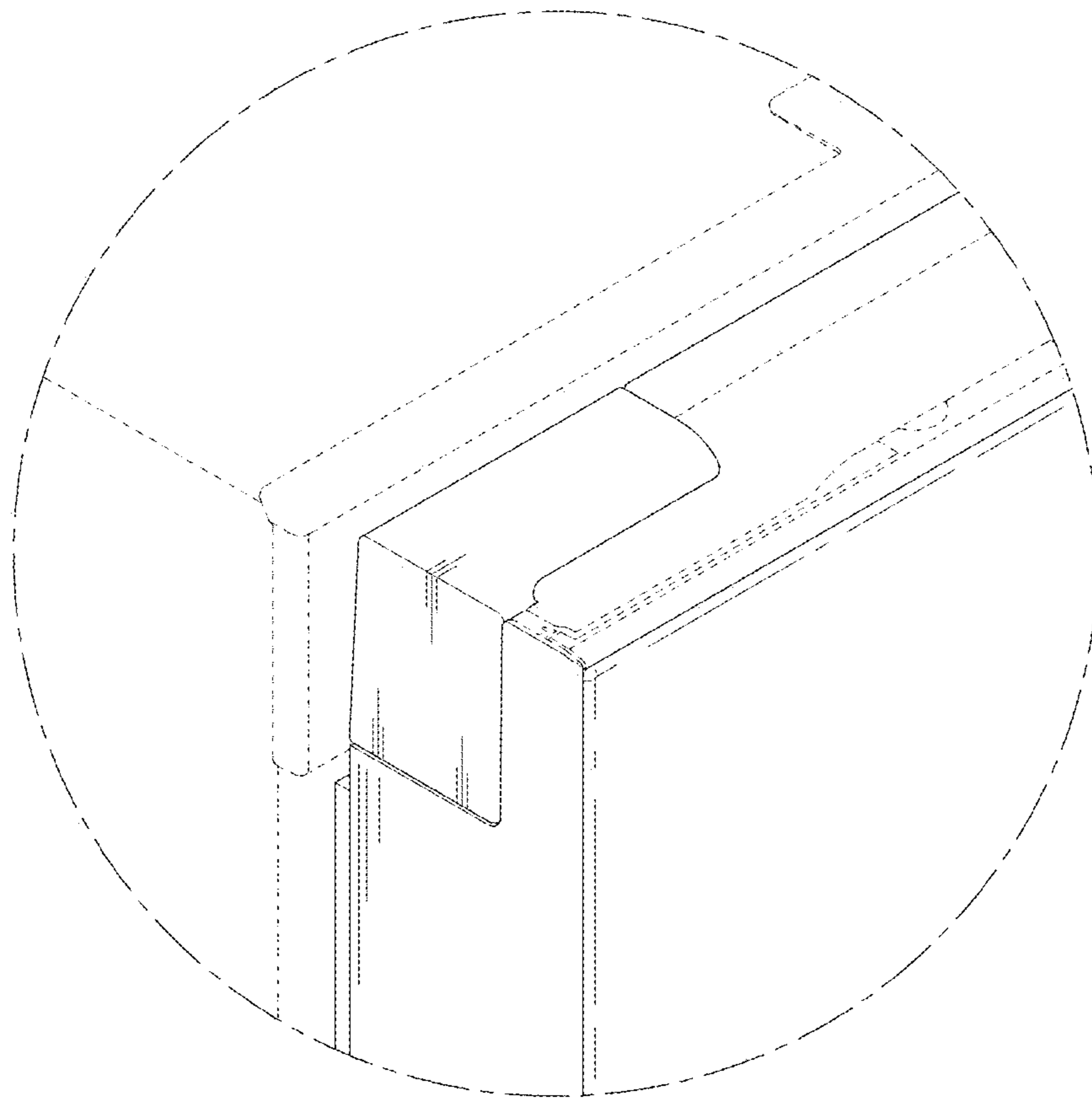


FIG. 9

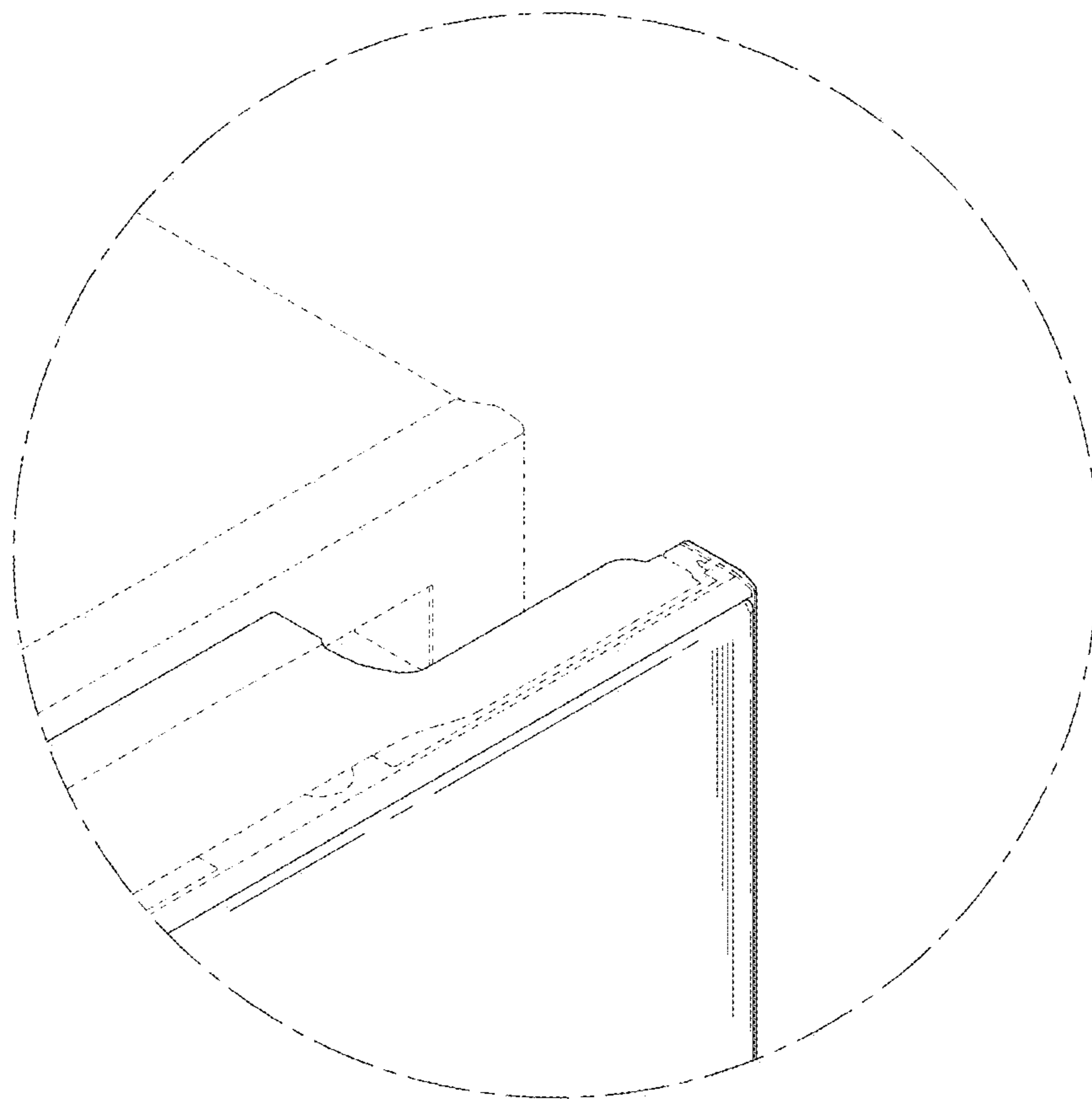


FIG. 10

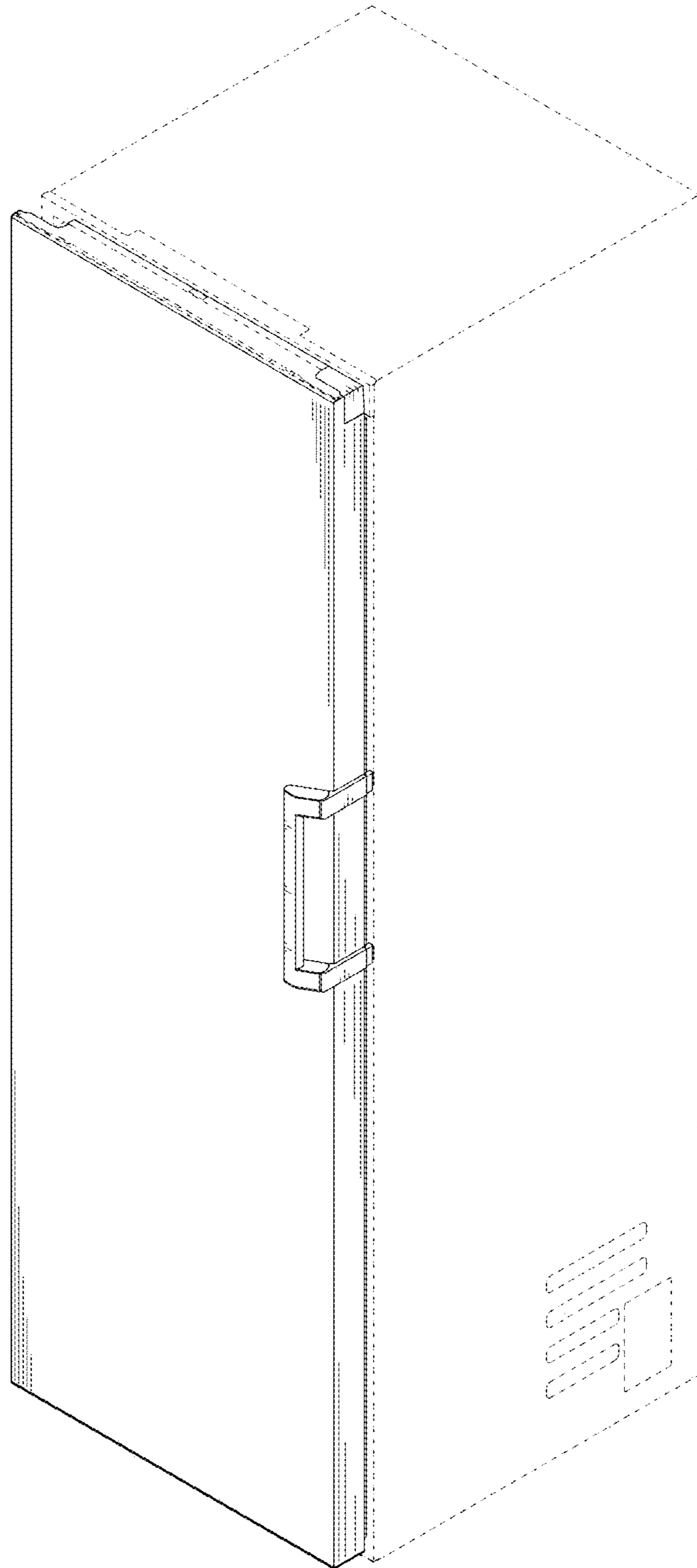


FIG. 11

