



US00D967875S

(12) **United States Design Patent**  
**Niebling**

(10) **Patent No.:** **US D967,875 S**  
(45) **Date of Patent:** **\*\* Oct. 25, 2022**

(54) **ICE MOLD**

(71) Applicant: **Spectrum Diversified Designs, LLC**,  
Streetsboro, OH (US)

(72) Inventor: **Andrianna Niebling**, Cleveland, OH  
(US)

(73) Assignee: **SPECTRUM DIVERSIFIED  
DESIGNS, LLC**, Streetsboro, OH (US)

(\*\*) Term: **15 Years**

(21) Appl. No.: **29/797,655**

(22) Filed: **Jul. 1, 2021**

(51) **LOC (13) Cl.** ..... **15-07**

(52) **U.S. Cl.**  
USPC ..... **D15/90**

(58) **Field of Classification Search**  
USPC ..... D7/300, 368, 387, 603, 605, 608, 619,  
D7/669, 672, 675, 676; D15/79-91;  
D9/100

CPC ..... F25C 2400/10; F25C 5/005; F25C 1/10;  
F25C 2305/022; F25C 2600/04; F25C  
2700/14; F25C 5/06; F25C 5/182; F25C  
1/08; F25C 1/24; F25C 2400/14; F25C  
2500/02; A47J 43/00; A47J 43/20; A47J  
9/00; A47J 9/007

See application file for complete search history.

(56) **References Cited**

**U.S. PATENT DOCUMENTS**

3,287,807	A *	11/1966	Menke	.....	A01J 25/13 425/84
3,603,106	A *	9/1971	Ryan	.....	F28D 20/02 62/457.4
D377,293	S *	1/1997	Husted	.....	D7/510
D547,611	S *	7/2007	Seum	.....	D7/510
D654,934	S *	2/2012	Cesarino	.....	D15/90
D731,264	S *	6/2015	Frank	.....	D7/672
D734,106	S *	7/2015	Frank	.....	D7/672

D781,932	S *	3/2017	Yoshikawa	.....	D15/80
D816,422	S *	5/2018	Nguyen	.....	D7/603
D848,494	S *	5/2019	Hua	.....	D15/90
D877,213	S *	3/2020	Lord	.....	D15/90
D879,162	S *	3/2020	Murphy	.....	D15/89

(Continued)

**OTHER PUBLICATIONS**

Tovolo, Sports Ball Ice Molds, Football, Basketball, Baseball & Golf Sphere Ice Molds, Set of 4 Variety Pack, (first date available Mar. 5, 2021), Amazon.com, URL:<<https://www.amazon.com/Tovolo-Football-Basketball-Baseball-Dishwasher-Safe/dp/B08Y6T55SK>> (Year: 2021).\*

(Continued)

*Primary Examiner* — Calvin E Vansant

*Assistant Examiner* — Mark T. Philipps

(74) *Attorney, Agent, or Firm* — Tucker Ellis LLP

(57) **CLAIM**

The ornamental design for an ice mold, as shown and described.

**DESCRIPTION**

FIG. 1 is a top perspective view of an ice mold showing my new design.

FIG. 2 is a bottom perspective view thereof.

FIG. 3 is a left side view thereof, a right side view being a mirror image.

FIG. 4 is a front view thereof, a rear view being a mirror image.

FIG. 5 is a top view thereof.

FIG. 6 is a top perspective exploded view showing a top portion and a bottom portion of the ice mold.

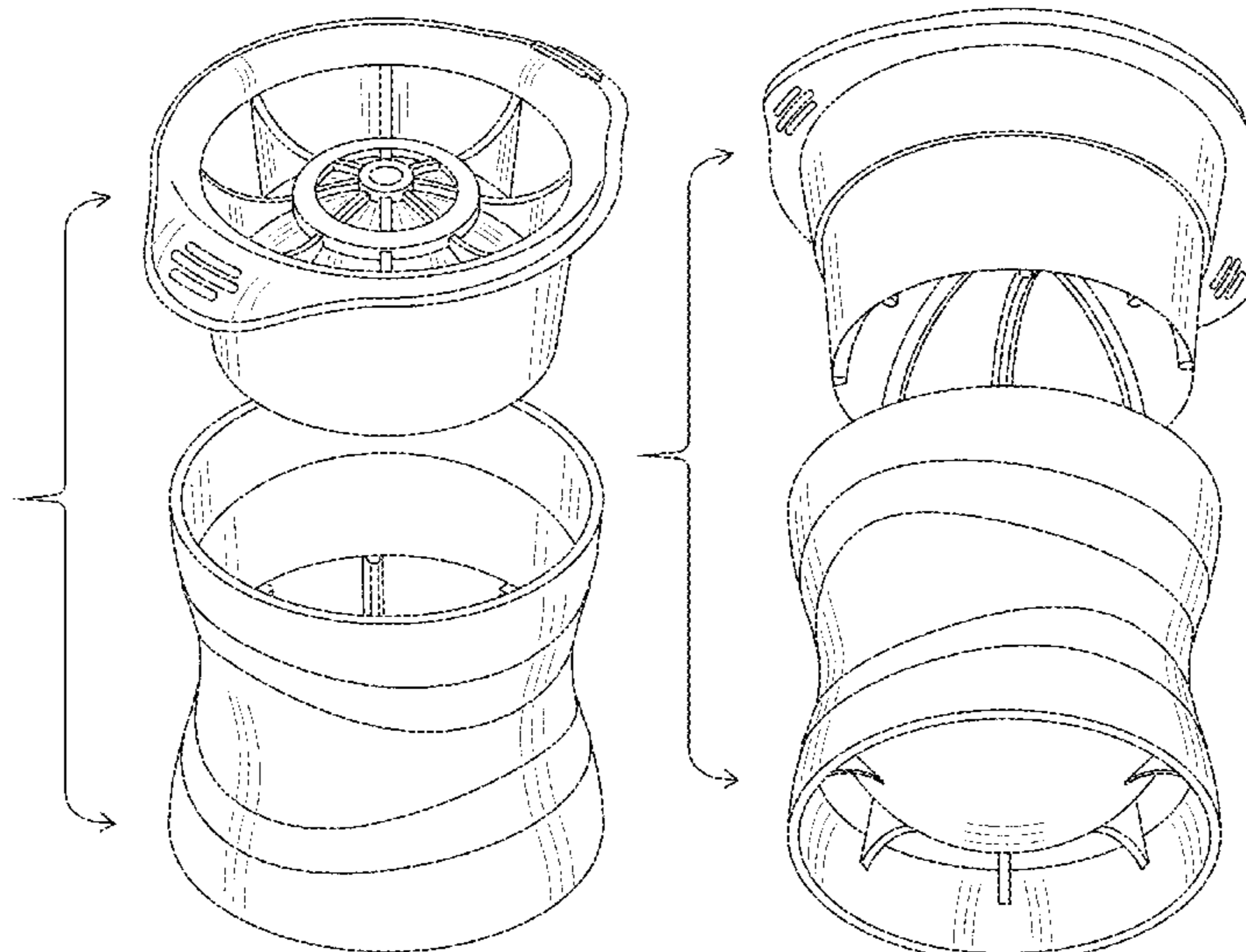
FIG. 7 is a bottom perspective exploded view thereof.

FIG. 8 is a cross-sectional view taken along line 8-8 in FIG. 3.

FIG. 9 is a bottom view of the top portion; and,

FIG. 10 is a top view of the bottom portion.

**1 Claim, 10 Drawing Sheets**



(56)

**References Cited**

U.S. PATENT DOCUMENTS

D891,873 S \* 8/2020 Burns ..... D7/603  
D908,147 S \* 1/2021 Steere ..... D15/90  
D910,723 S \* 2/2021 Little ..... D15/90  
D914,773 S \* 3/2021 Benlolo ..... D15/90  
D916,146 S \* 4/2021 Wu ..... D15/90  
D916,936 S \* 4/2021 Dittrich ..... D15/90  
2015/0021458 A1 \* 1/2015 Zorovich ..... B29C 33/0038  
249/134  
2019/0041114 A1 \* 2/2019 Braidotti Cavalari .. F25C 1/243

OTHER PUBLICATIONS

Bella Amazing, Premium Ice Ball Molds, Round 2.5 Inch Ice Spheres., (first date available Oct. 18, 2018), Amazon.com, URL:<<https://www.amazon.com/PREMIUM-Spheres-Stackable-Melting-Whiskey/dp/B07FDQV624>> (Year: 2018).\*

Lorisa, Ice Ball Molds, Slow Melting Round Ice Cube Maker, 2.5 Inch big Ice Spheres for Whiskey, (first available Jun. 2, 2021), Amazon.com, URL:<<https://www.amazon.com/LORSIA-Melting-Spheres-Cocktails-Beverages/dp/B093X4P744>> (Year: 2021).\*

\* cited by examiner

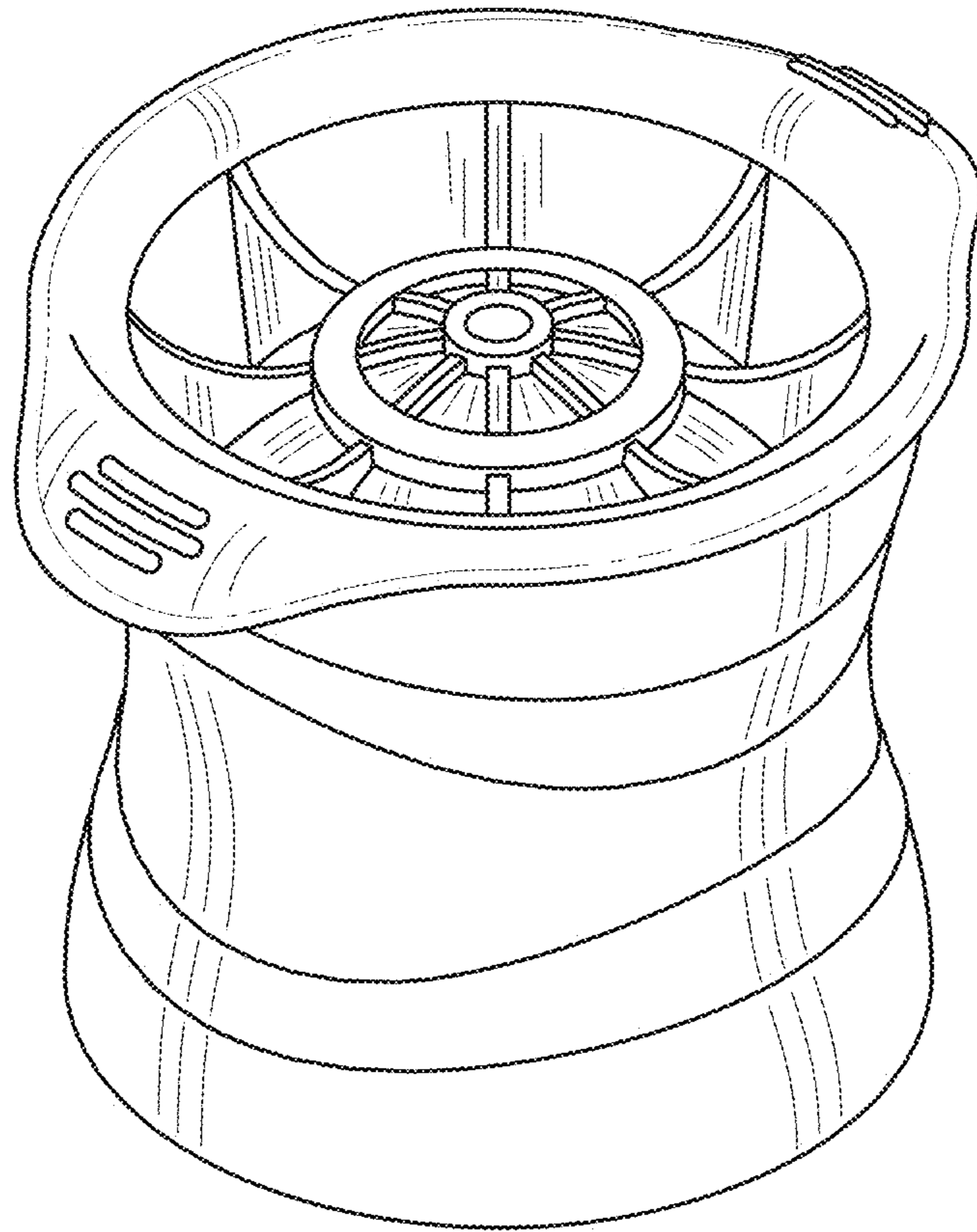


FIG. 1

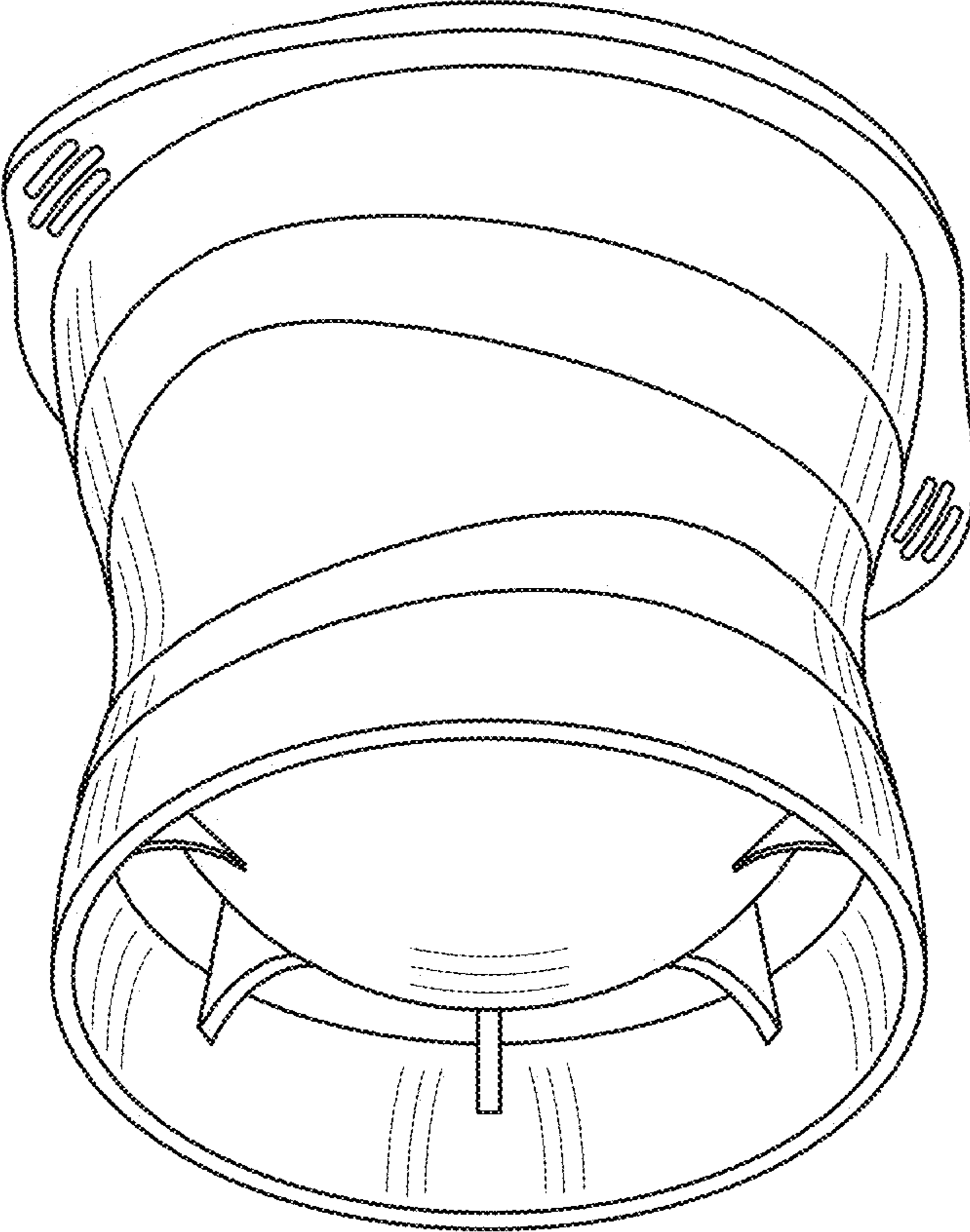


FIG. 2

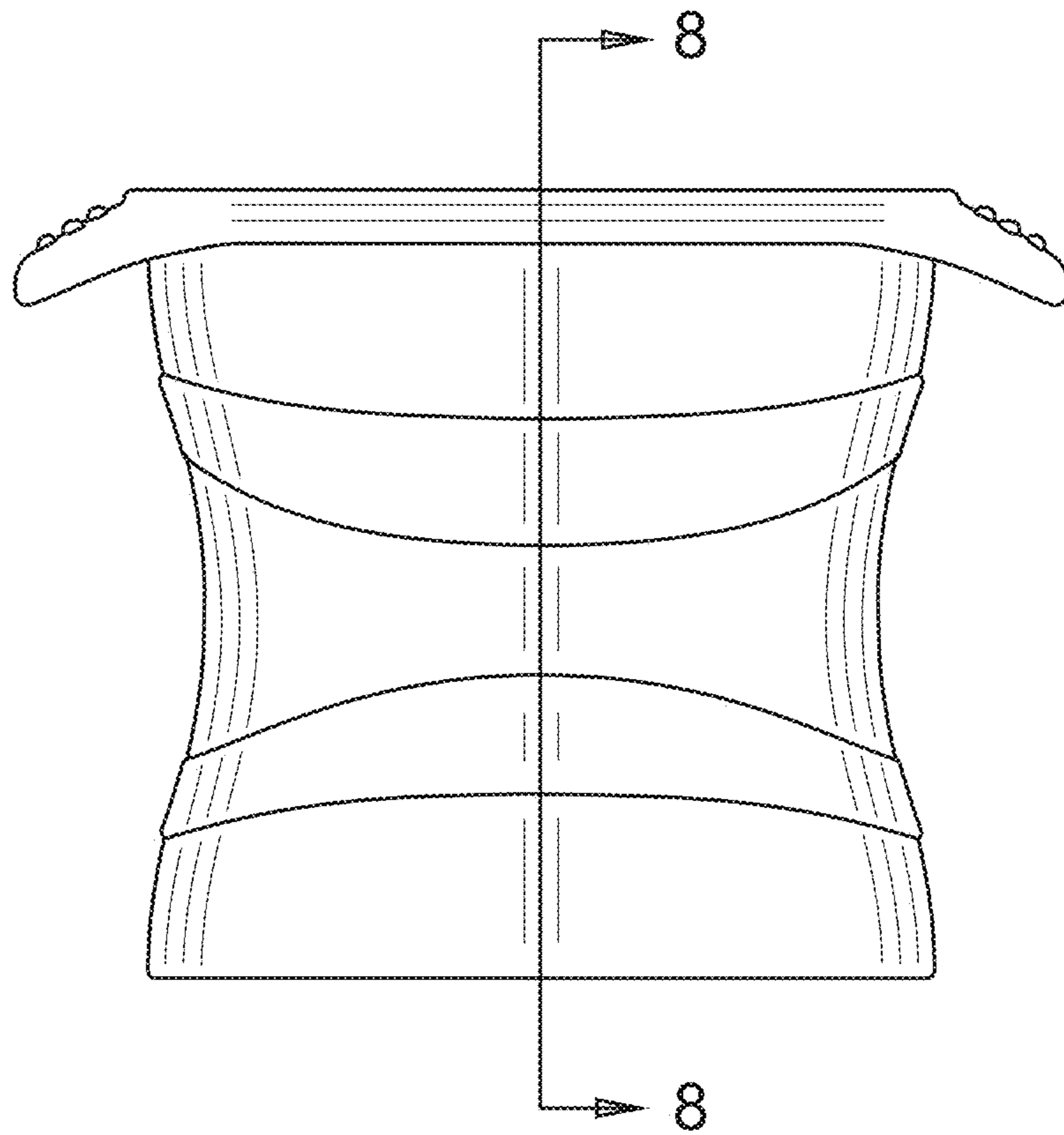


FIG. 3

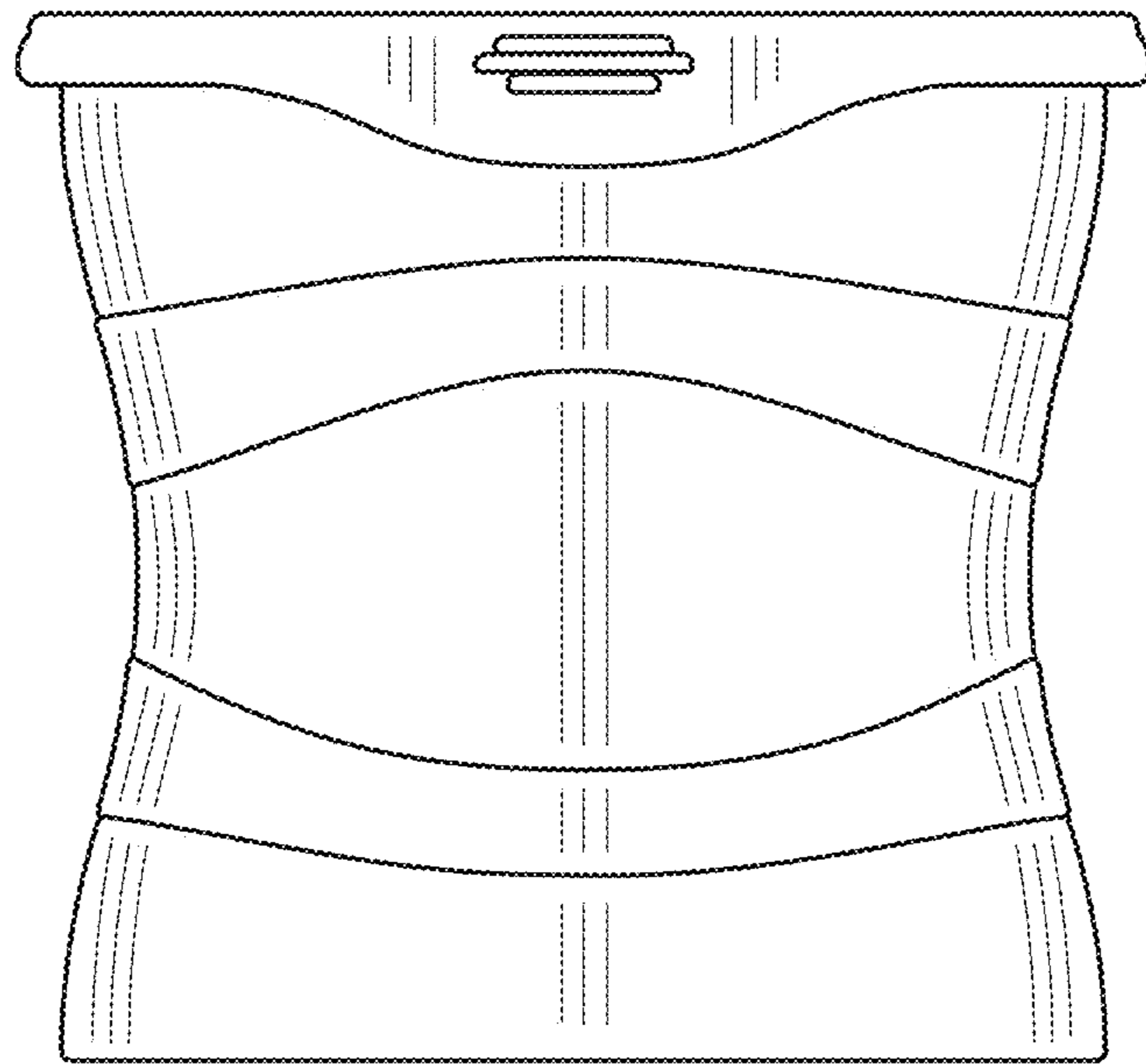


FIG. 4

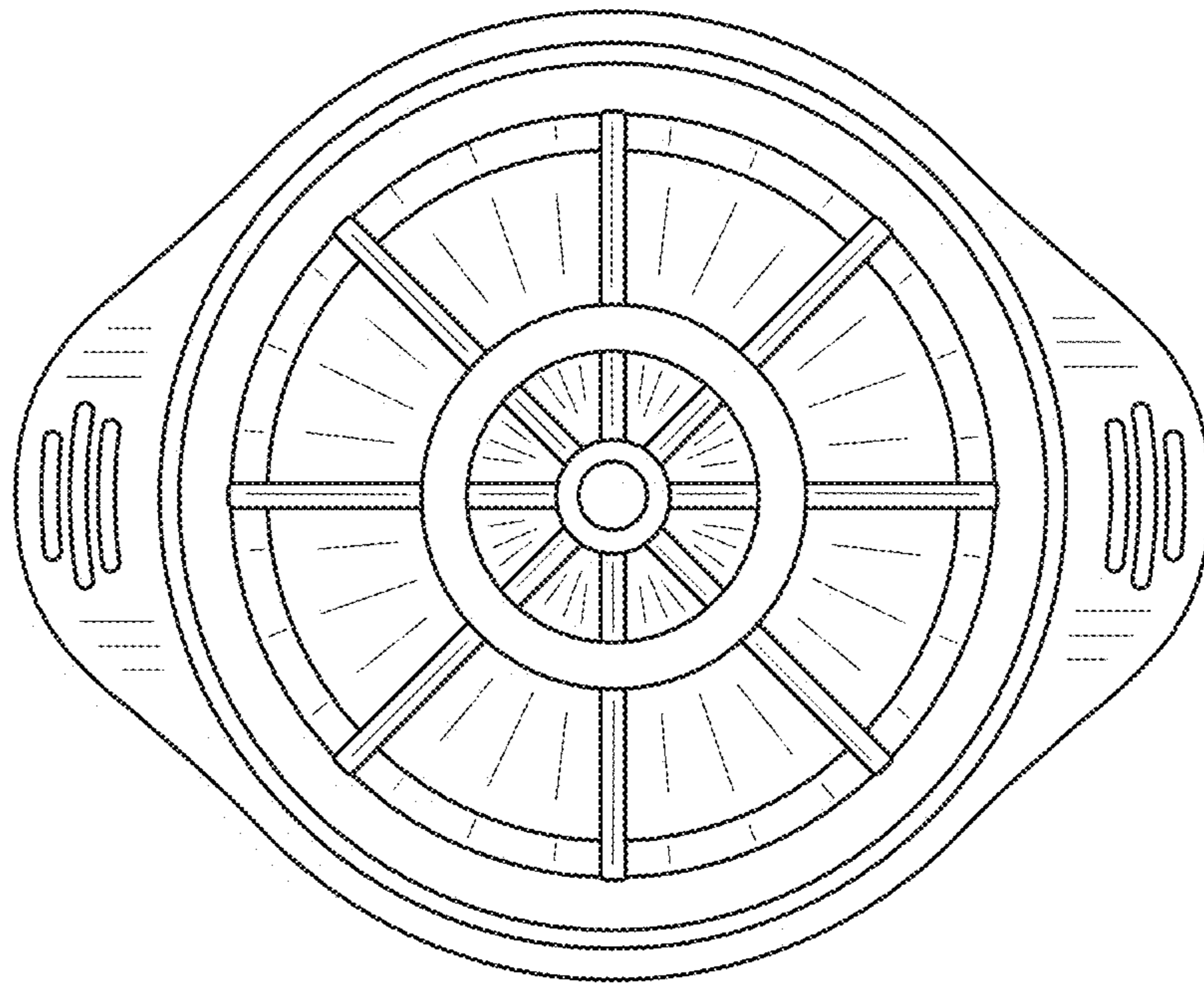


FIG. 5

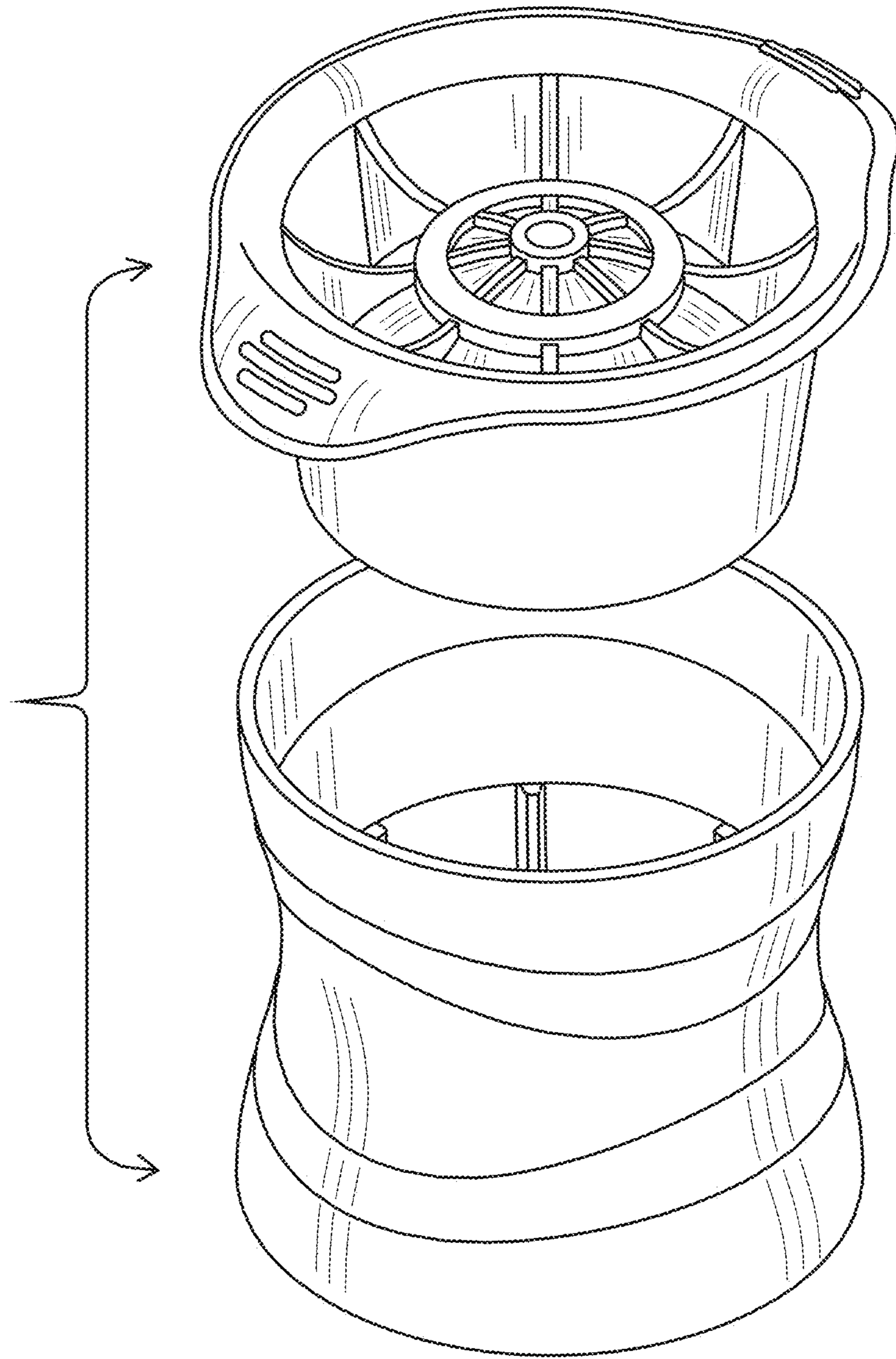


FIG. 6



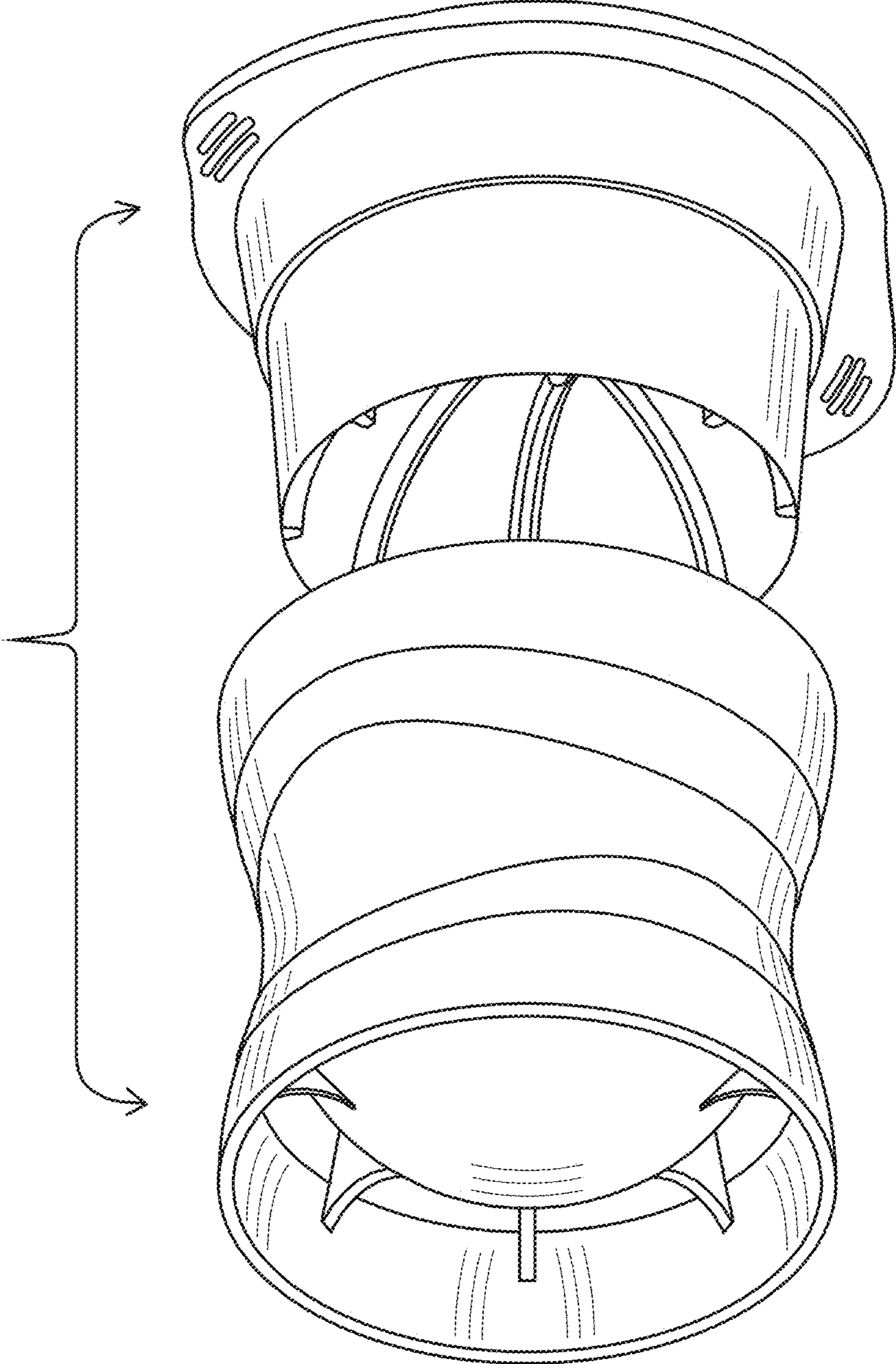


FIG. 7

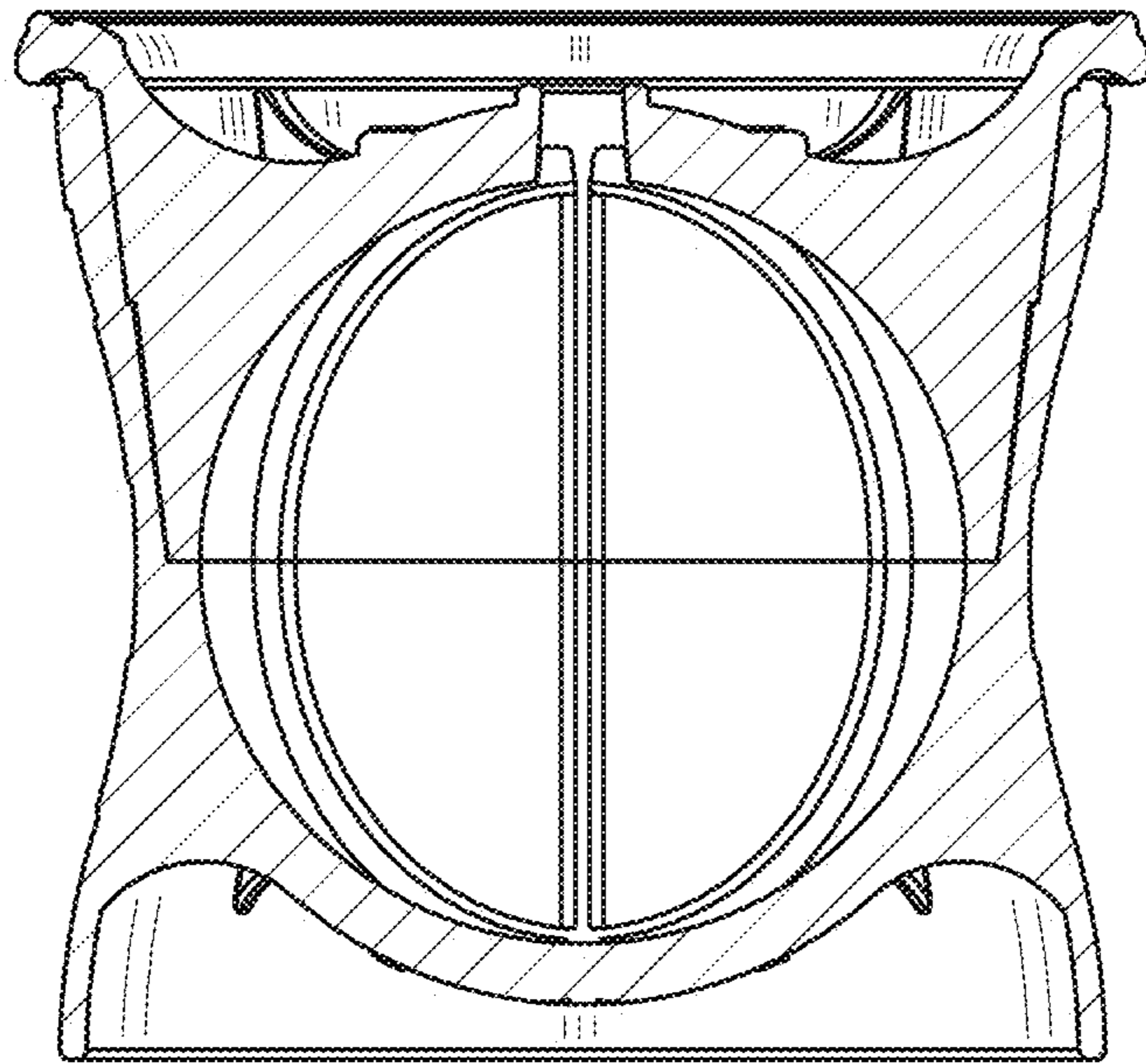


FIG. 8

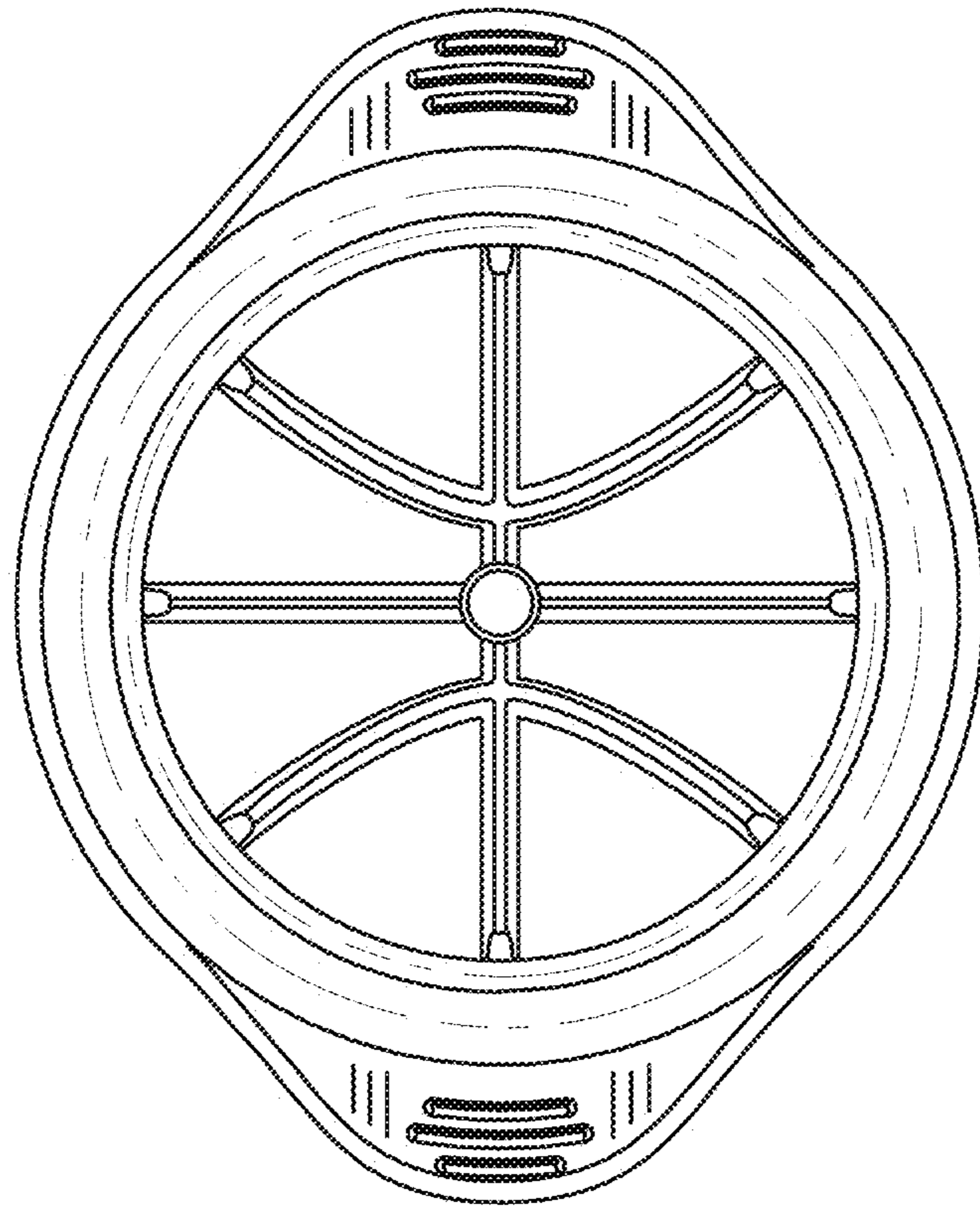


FIG. 9

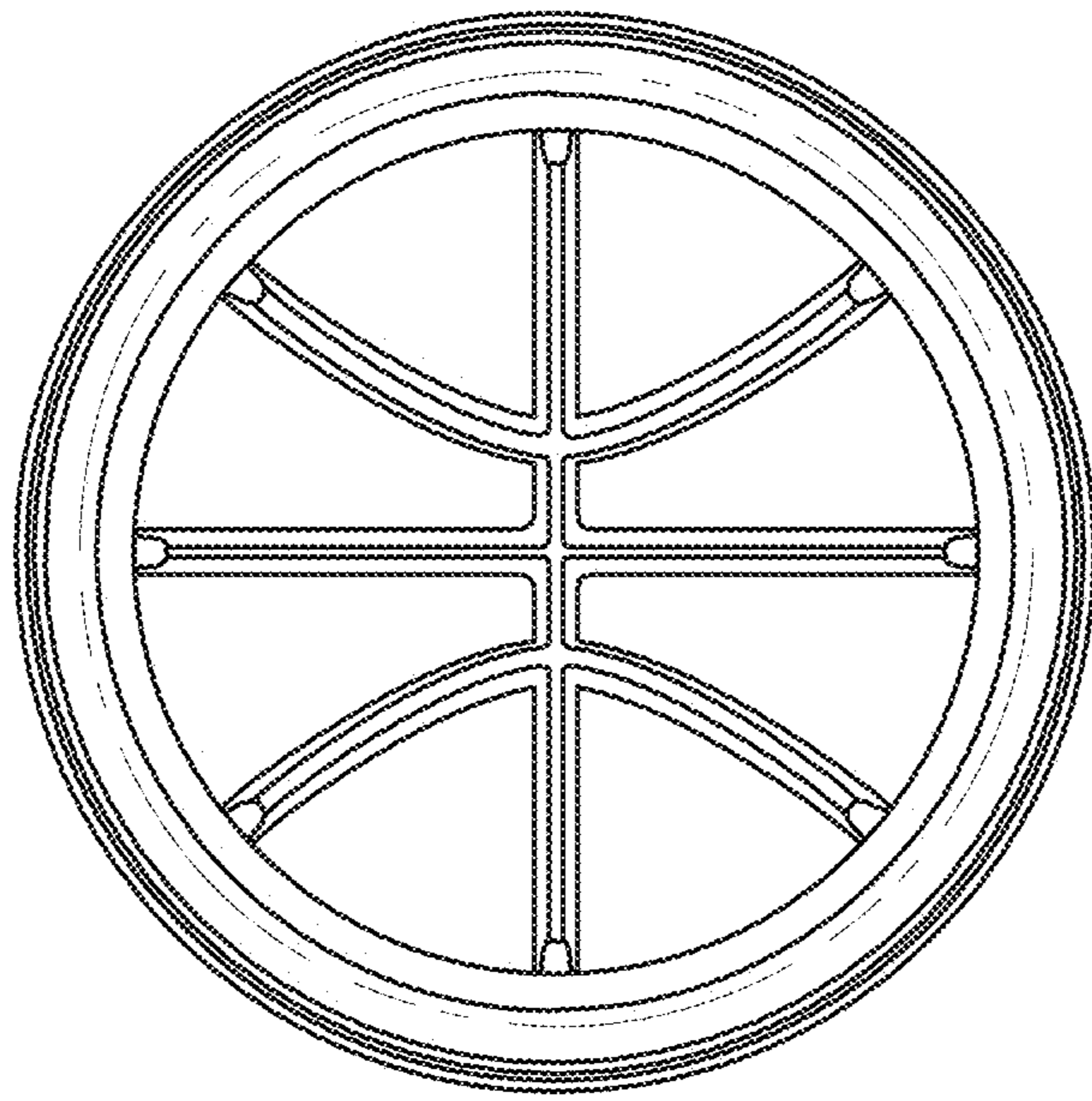


FIG. 10