



US00D967873S

(12) **United States Design Patent**
Lonati et al.

(10) **Patent No.:** **US D967,873 S**
(45) **Date of Patent:** **** Oct. 25, 2022**

(54) **TEXTILE MACHINE**

(71) Applicant: **SANTONI S.P.A.**, Brescia (IT)
(72) Inventors: **Ettore Lonati**, Botticino (IT); **Fausto Lonati**, Brescia (IT); **Andrea Lonati**, Brescia (IT)

(73) Assignee: **SANTONI S.P.A.**, Brescia (IT)

(**) Term: **15 Years**

(21) Appl. No.: **29/716,860**

(22) Filed: **Dec. 12, 2019**

(30) **Foreign Application Priority Data**

Jun. 12, 2019 (EM) 006575379-0009

(51) **LOC (13) Cl.** **15-06**

(52) **U.S. Cl.**
USPC **D15/66; D15/72**

(58) **Field of Classification Search**
USPC D15/66-78; 66/8, 151, 108 R, 17, 178 R, 66/57, 104, 125 R, 20, 64, 13, 132 R, 14, 66/140 S, 145 R, 148, 149 R, 153, 222
(Continued)

(56) **References Cited**

U.S. PATENT DOCUMENTS

453,290 A * 6/1891 McMichael et al. D04B 9/06
66/19
573,063 A * 12/1896 Vermilyea D04B 9/06
66/19

(Continued)

FOREIGN PATENT DOCUMENTS

CN 304962794 * 12/2018
CN 305921319 * 7/2019

(Continued)

OTHER PUBLICATIONS

Underwear Knitting Machine [online, certification date 2000] URL: <https://shandongrifa.en.made-in-china.com/product/BjHmJfkVvAcG/China-Seamless-Underwear-Knitting-Machine-RIFA-brand-.html> (visited Jul. 19, 2021) (Year: 2000).*

(Continued)

Primary Examiner — Jae Liang

Assistant Examiner — Tia Ruth-Renee Polidori

(74) *Attorney, Agent, or Firm* — MH2 Technology Law Group LLP

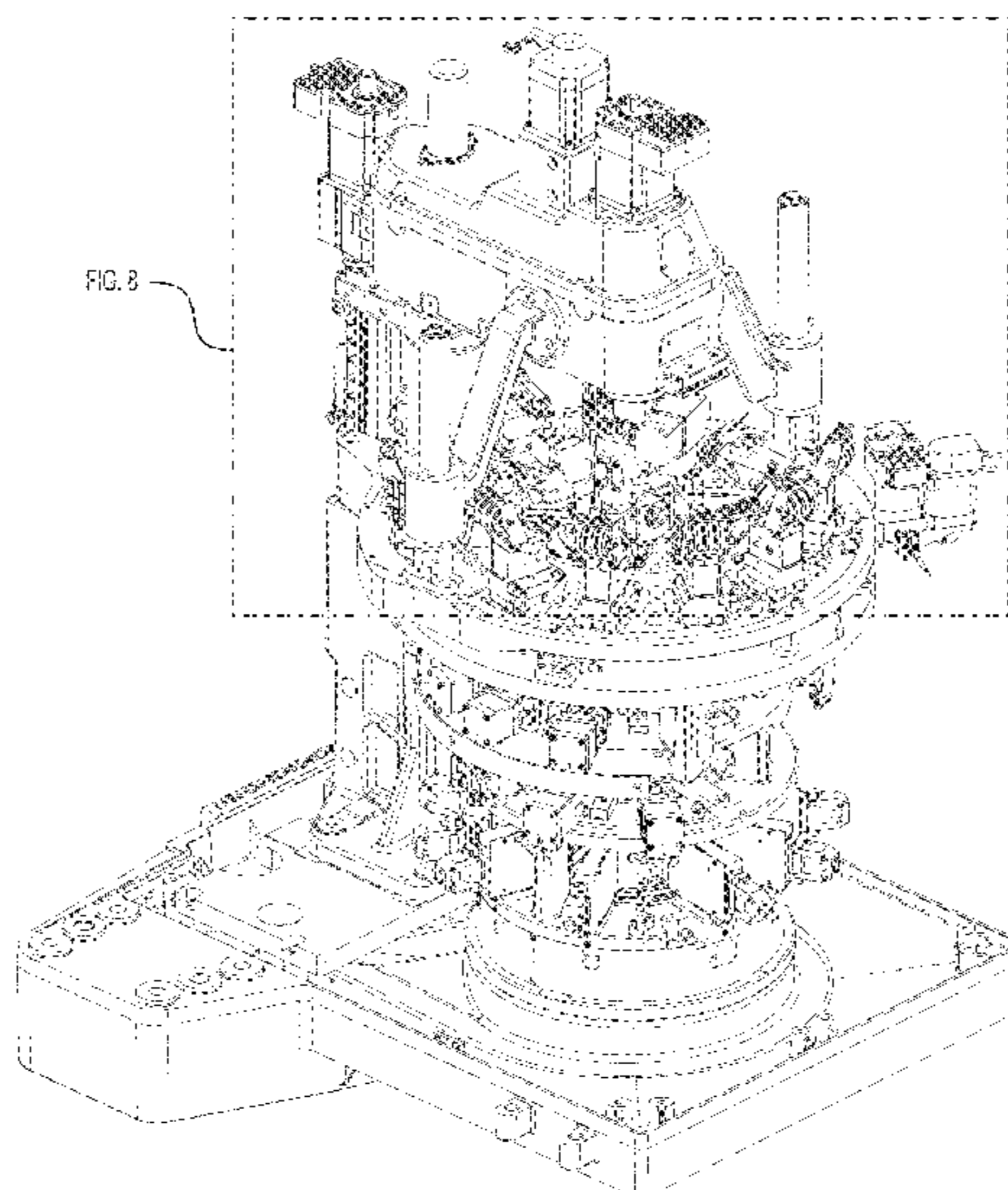
(57) **CLAIM**

The ornamental design for a textile machine, as shown and described.

DESCRIPTION

FIG. 1 is a perspective view of a textile machine; FIG. 2 is a top plan view thereof; FIG. 3 is a bottom plan view thereof; FIG. 4 is a front elevational view thereof; FIG. 5 is a rear elevational view thereof; FIG. 6 is a left-side elevational view thereof; FIG. 7 is a right-side elevational view thereof; FIG. 8 is an enlarged top plan view of a portion of FIG. 2; FIG. 9 is an enlarged bottom plan view of a portion of FIG. 3; FIG. 10 is an enlarged front elevational view of a portion of FIG. 4; FIG. 11 is an enlarged rear elevational view of a portion of FIG. 5; FIG. 12 is an enlarged left-side elevational view of a portion of FIG. 6; and, FIG. 13 is an enlarged right-side elevational view of a portion of FIG. 7.
The dot-dash broken lines in the drawings illustrate partial view indicia that forms no part of the claimed design. The dash-dash broken lines in the drawings depict portions of the textile machine that form no part of the claimed design.

1 Claim, 13 Drawing Sheets



(58) **Field of Classification Search**
 CPC . D04B 13/00; D04B 13/02; D04B 9/00–9/58;
 D04B 15/06; D04B 15/14; D04B 15/88;
 D04B 15/94
 See application file for complete search history.

(56) **References Cited**

U.S. PATENT DOCUMENTS

630,784 A * 8/1899 Stevens D04B 9/16
 66/10
 735,910 A * 8/1903 Ruth D04B 9/06
 66/20
 783,408 A * 2/1905 Baum D04B 9/06
 66/19
 808,121 A * 12/1905 Stafford et al. D04B 9/06
 66/19
 814,004 A * 2/1906 Harmon D05B 3/06
 112/65
 885,304 A * 4/1908 Steber D04B 9/06
 66/19
 901,924 A * 10/1908 Taylor D04B 9/06
 66/19
 1,098,874 A * 6/1914 Ballard D05B 15/04
 112/38
 1,216,900 A * 2/1917 Wildman D04B 9/06
 66/19
 1,696,282 A * 12/1928 Perry D04B 9/06
 D15/78
 1,801,167 A * 4/1931 McAdams D04B 9/06
 D15/66
 1,867,644 A * 7/1932 Ames D04B 9/26
 66/36
 2,016,208 A * 10/1935 Locke D04B 35/10
 66/157
 3,084,527 A * 4/1963 Azzolari D04B 15/68
 66/8
 3,103,801 A * 9/1963 Azzolari D04B 15/74
 66/224
 3,392,550 A * 7/1968 Fontaine D04B 15/61
 66/140 R
 3,422,640 A * 1/1969 Abrams D04B 35/32
 66/168
 4,013,238 A * 3/1977 Calamani D04B 15/484
 242/365.4
 D246,244 S * 11/1977 Current B65H 59/06
 D15/66
 D267,010 S * 11/1982 Jacobsson D03D 47/361
 D15/78
 4,754,936 A * 7/1988 Dalmau Guell D04B 15/48
 226/193
 4,805,422 A * 2/1989 Cahuzac D03D 41/004
 66/13
 4,843,843 A * 7/1989 Rovinsky D04B 35/32
 66/168
 D309,315 S * 7/1990 Maina D01H 1/425
 D15/78
 5,035,124 A * 7/1991 Tibbals, Jr. D04B 15/94
 66/120
 5,133,196 A * 7/1992 Tibbals, Jr. D04B 15/60
 66/35
 5,187,951 A * 2/1993 Stroud D04B 15/82
 66/14
 5,323,509 A * 6/1994 Igarashi D04B 35/32
 15/301
 5,329,755 A * 7/1994 Frentzel-Beyme D01H 1/425
 57/354

5,349,913 A * 9/1994 Schramayr D05B 23/00
 112/470.13
 6,065,711 A * 5/2000 Plath D04B 15/44
 242/419.4
 D463,463 S * 9/2002 Zenoni D04B 35/32
 D15/78
 6,467,314 B1 * 10/2002 Zaglio D03J 1/04
 66/125 R
 6,932,293 B1 * 8/2005 Schmodde D04B 35/14
 242/365.6
 7,793,523 B1 * 9/2010 Plasencia D04B 15/94
 66/8
 D771,153 S * 11/2016 Lonati D04B 15/82
 D15/66
 D771,154 S * 11/2016 Lonati D04B 15/322
 D15/78
 D772,310 S * 11/2016 Lonati D04B 15/94
 D15/66
 9,683,321 B2 * 6/2017 Lonati D04B 15/322
 10,240,266 B2 * 3/2019 Lonati D04B 9/06
 D893,554 S * 8/2020 Lonati D15/66
 D917,394 S * 4/2021 Wersland D04B 15/60
 D13/112
 2004/0099329 A1 * 5/2004 Klaui D03D 47/361
 139/448
 2004/0261462 A1 * 12/2004 Houston D04B 1/26
 66/8
 2012/0031368 A1 * 2/2012 Sleiman F01C 21/108
 123/211
 2016/0215419 A1 * 7/2016 Lonati D04B 15/58
 2016/0258087 A1 * 9/2016 Lonati D04B 15/94
 2017/0260669 A1 * 9/2017 Lonati D05B 23/009
 2017/0327981 A1 * 11/2017 Lonati D04B 9/00
 2018/0273338 A1 * 9/2018 Hoover B65H 59/06

FOREIGN PATENT DOCUMENTS

CN 305921320 * 7/2019
 CN 305921322 * 7/2019
 EM 006575379-0001 * 6/2019
 EM 006575379-0006 * 6/2019
 EM 006575379-0009 * 6/2019
 GB 9006575379-0001 * 6/2019
 GB 9006575379-0006 * 6/2019
 GB 9006575379-0009 * 6/2019
 IN 305863-0001 * 5/2018
 KR 301003432.0000 * 4/2018

OTHER PUBLICATIONS

Merz Knitting Machines [online: Aug. 8, 2020—Wayback Machine]
 URL: <https://www.merz-mf.de/en/products.php> (visited Jul. 19, 2021)
 (Year: 2020).*
 Lonati Machines [online] URL: <https://www.lonati.com/en/prodotti>
 (visited Jul. 19, 2021) (Year: 2021).*
 HF Matec [online] URL: [http://www.macchinericambi.com/en/
 model/109](http://www.macchinericambi.com/en/model/109) (visited Jul. 20, 2021) Production Year: 1997 (Year:
 1997).*
 Concept 3C Matec [online] URL: [http://www.macchinericambi.com/
 en/model/107](http://www.macchinericambi.com/en/model/107) (visited Jul. 20, 2021) Production Year: 2004 (Year:
 2004).*
 Mono 4 Model 60 Matec [online] URL: [http://www.macchinericambi.
 com/en/model/420](http://www.macchinericambi.com/en/model/420) (visited Jul. 20, 2021) Production Year: 2003
 (Year: 2003).*
 Pendolina 4A2-4A3 Santoni [online] URL: [http://www.
 macchinericambi.com/en/model/213](http://www.macchinericambi.com/en/model/213) (visited Jul. 20, 2021) Produc-
 tion Year: 1996 (Year: 1996).*

* cited by examiner

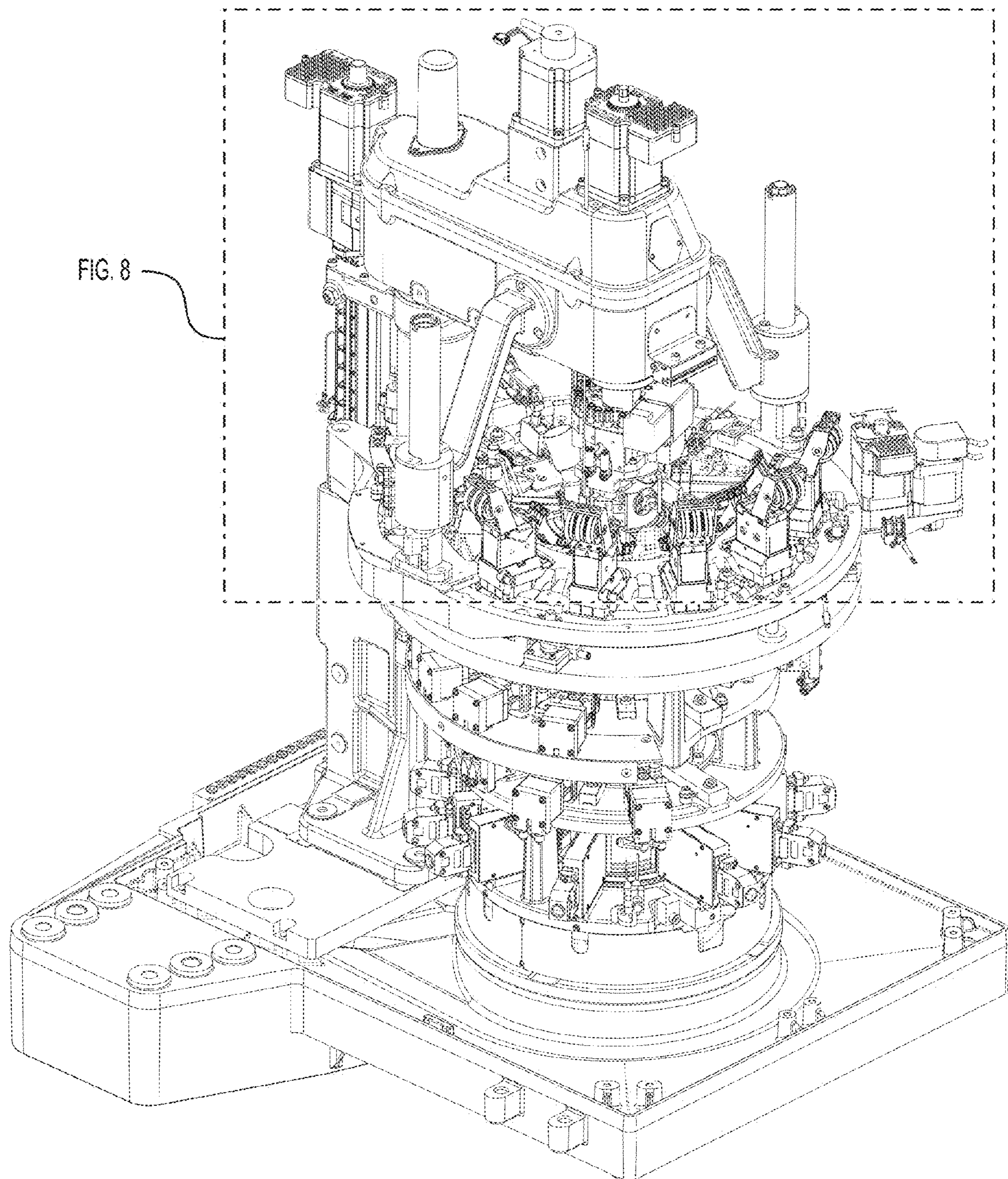


FIG. 1

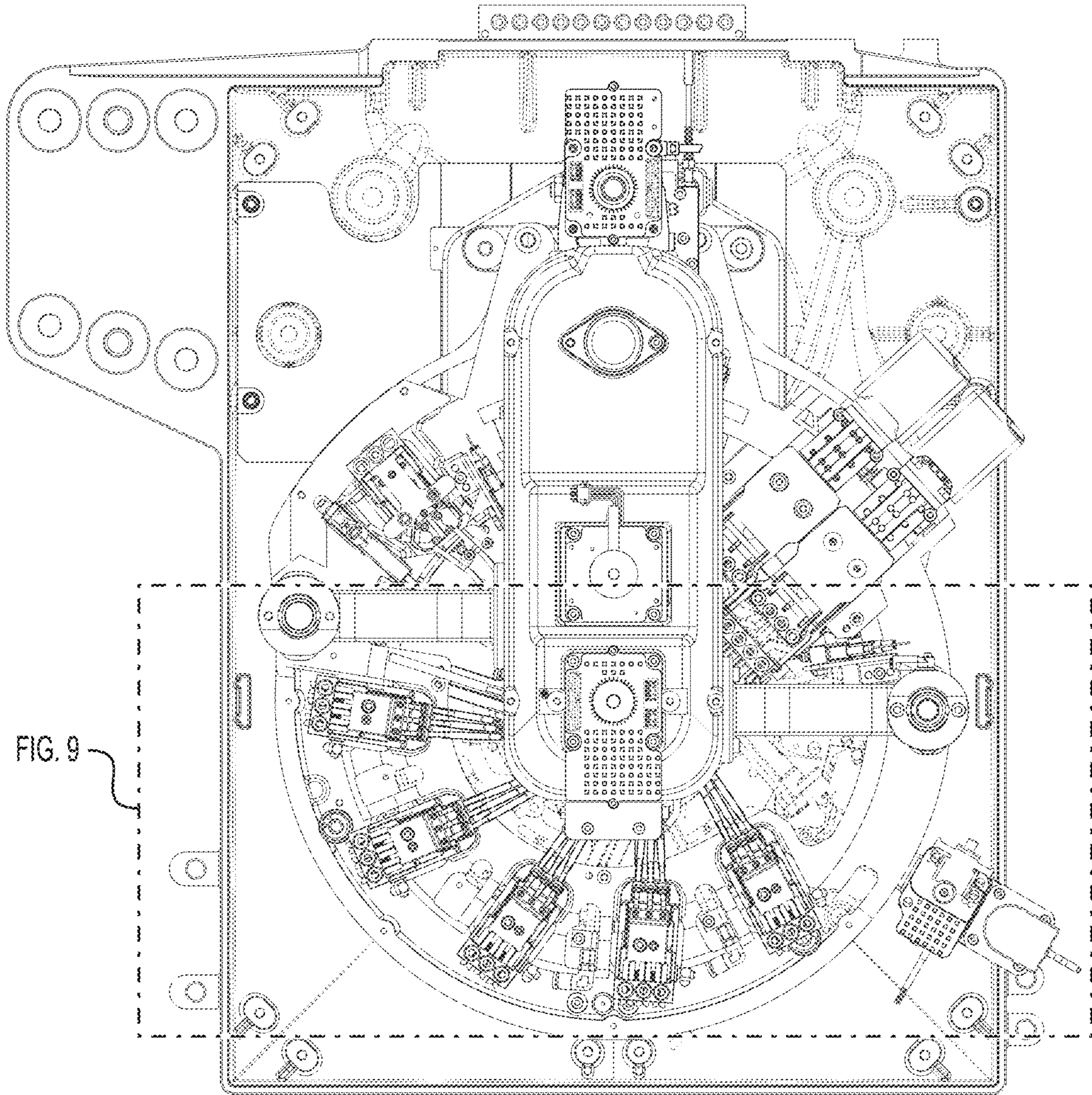


FIG. 2

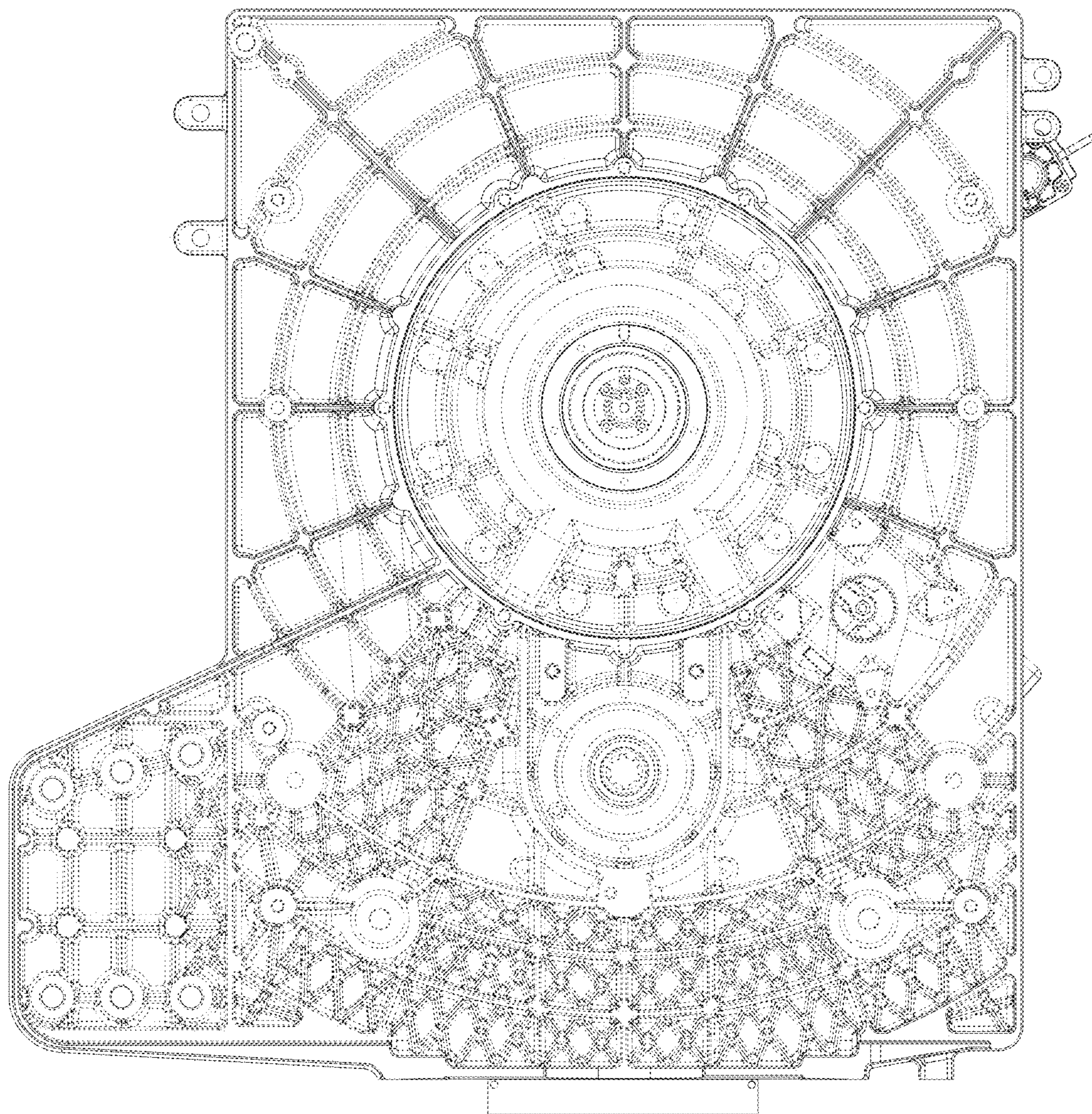


FIG. 3

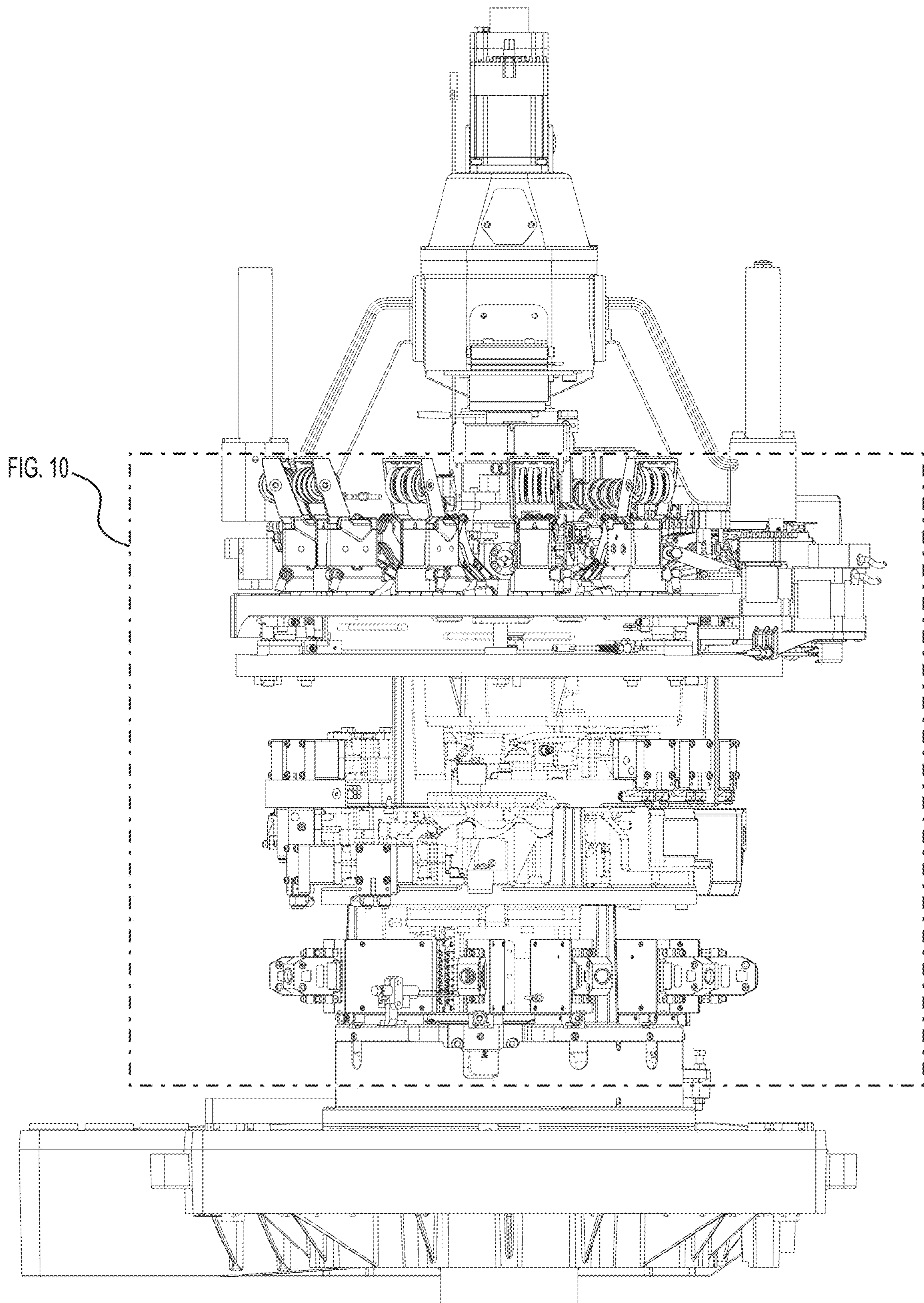


FIG. 4

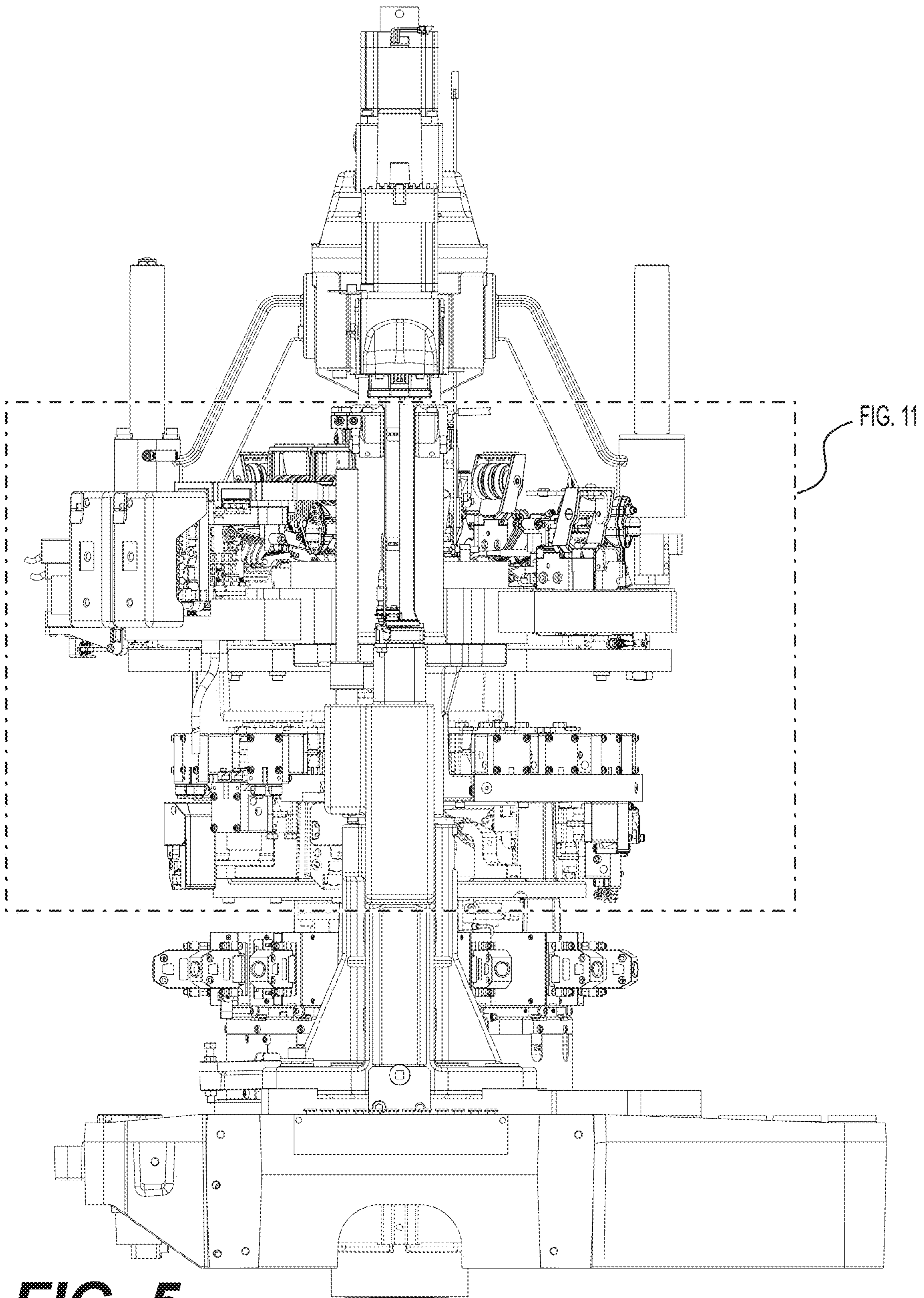


FIG. 5

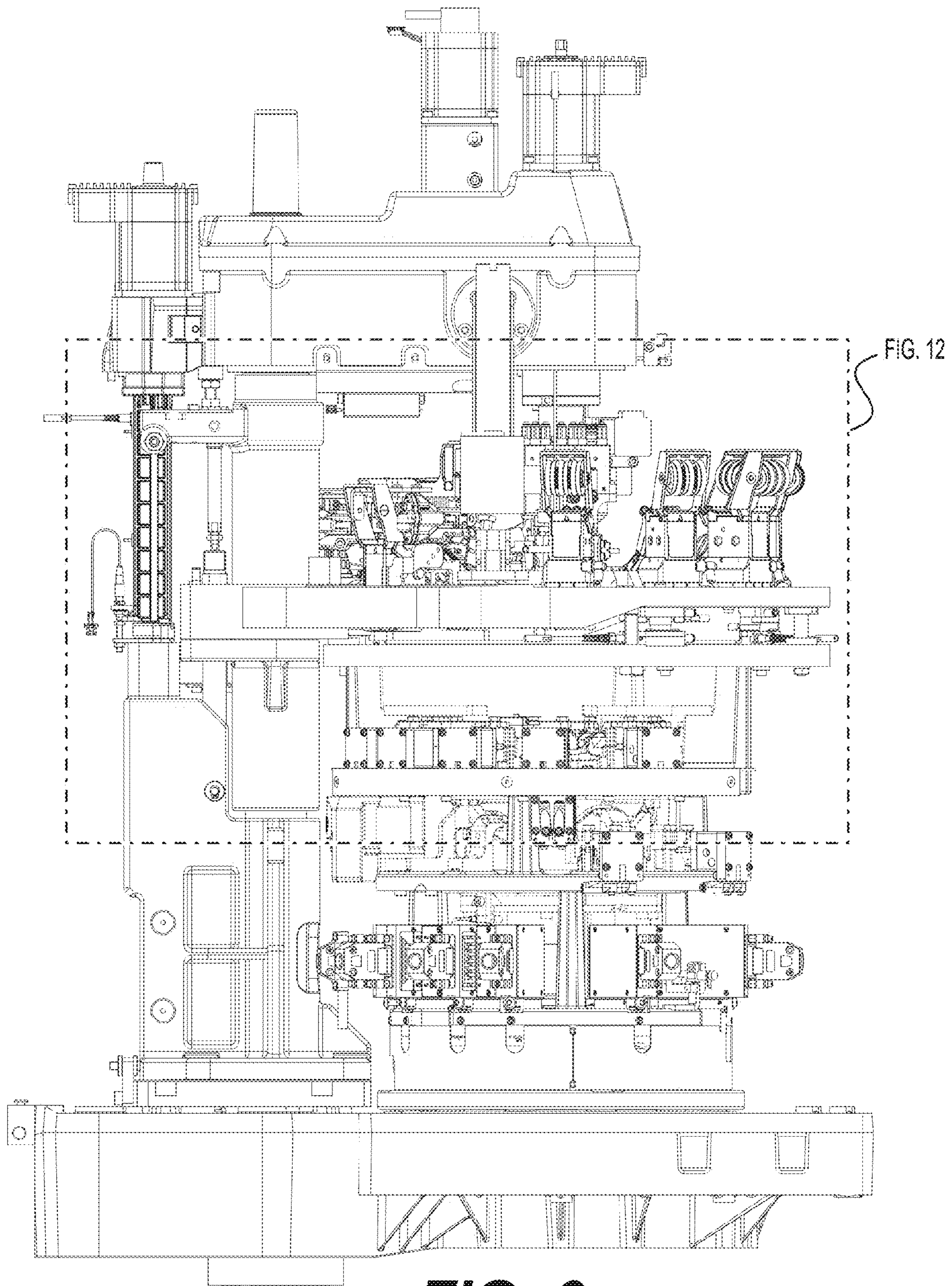


FIG. 6

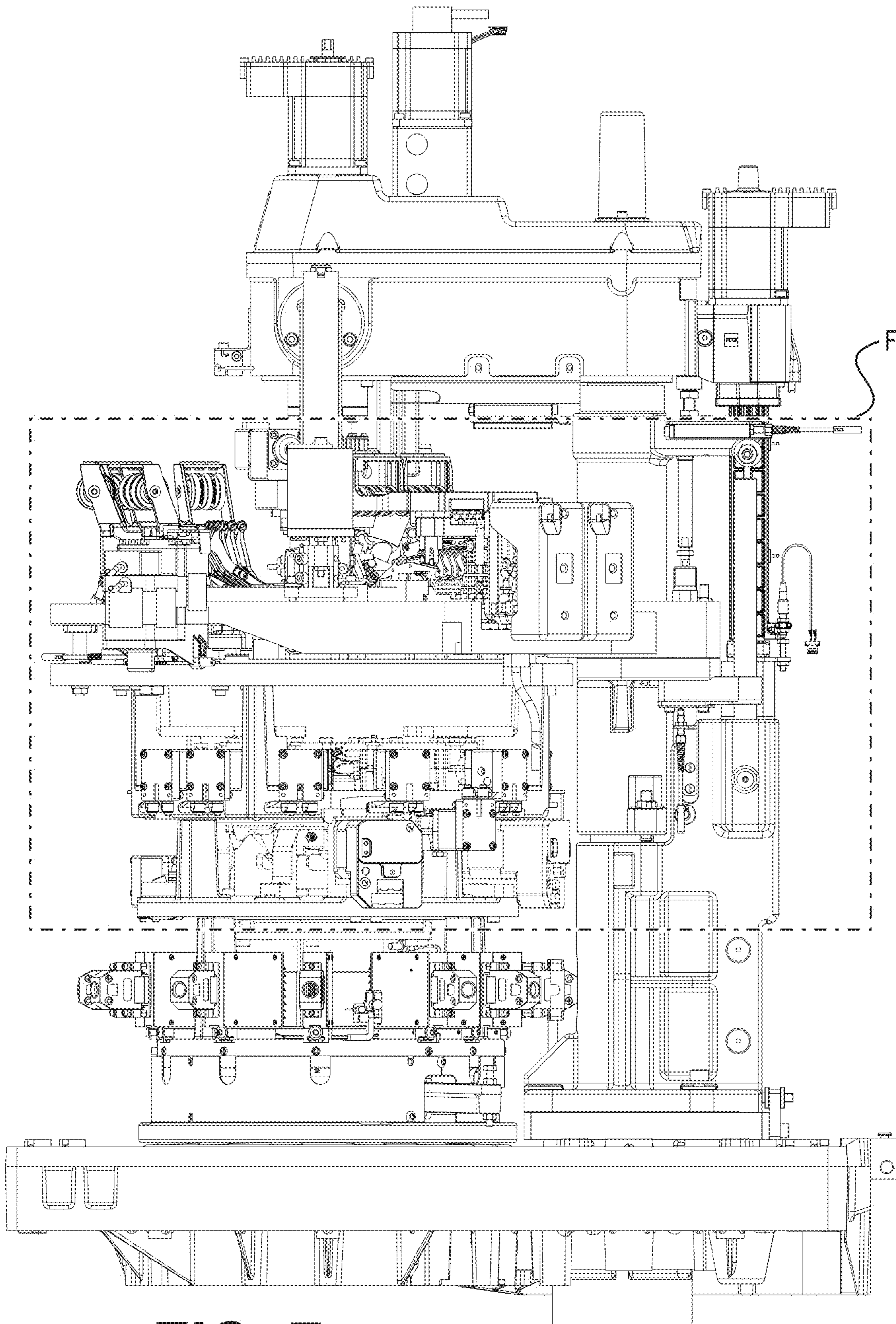


FIG. 13

FIG. 7

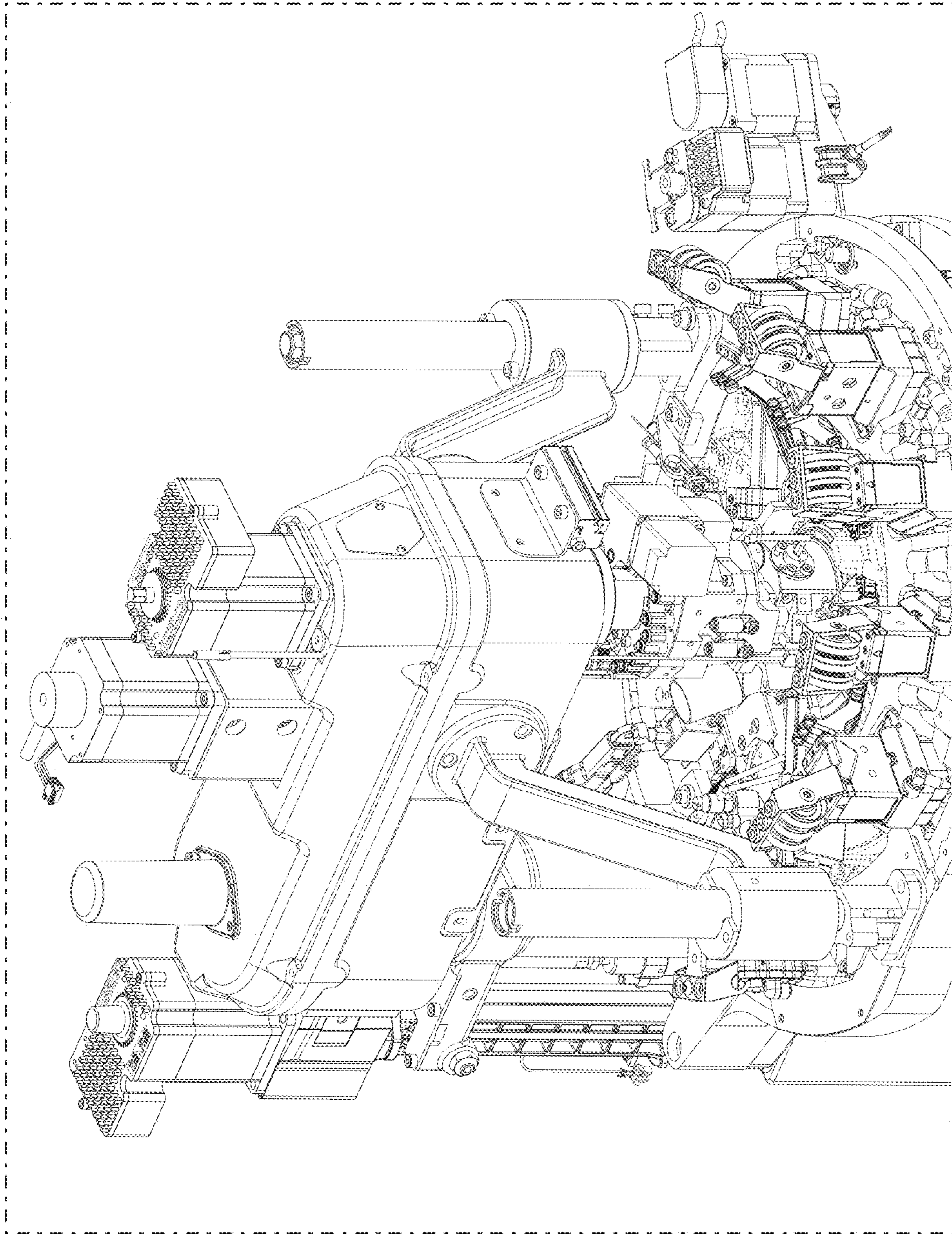


FIG. 8

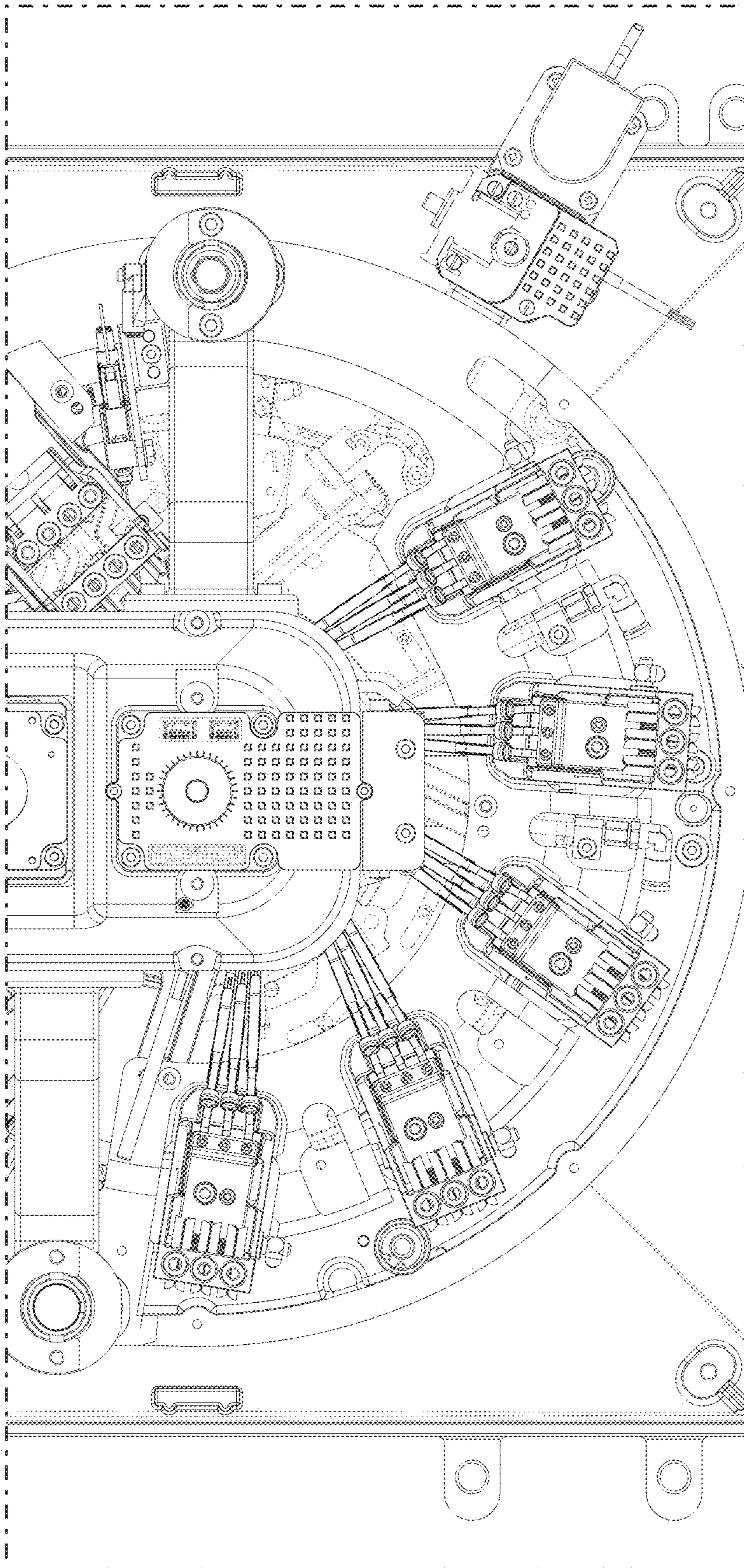


FIG. 9

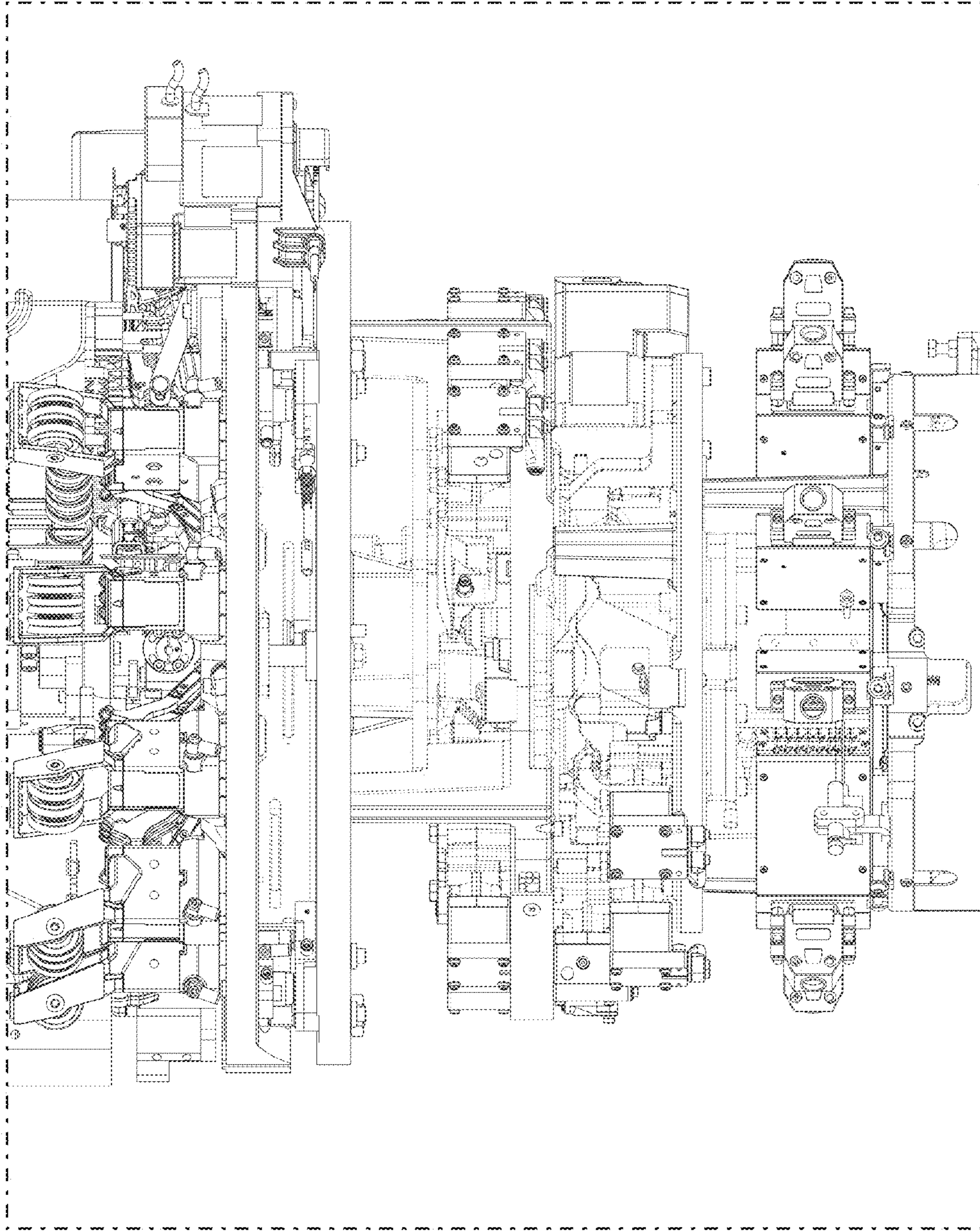


FIG. 10

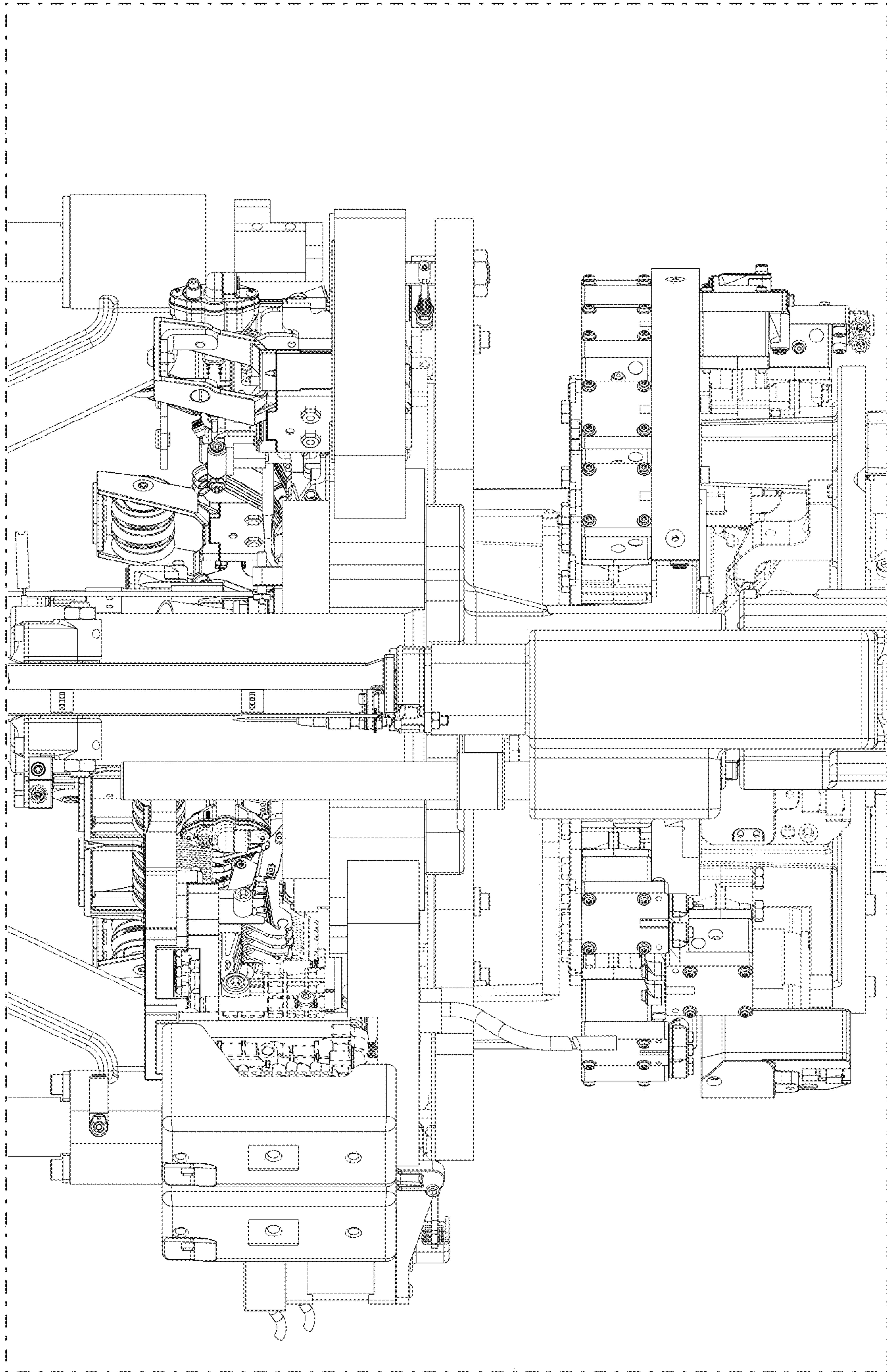


FIG. 11

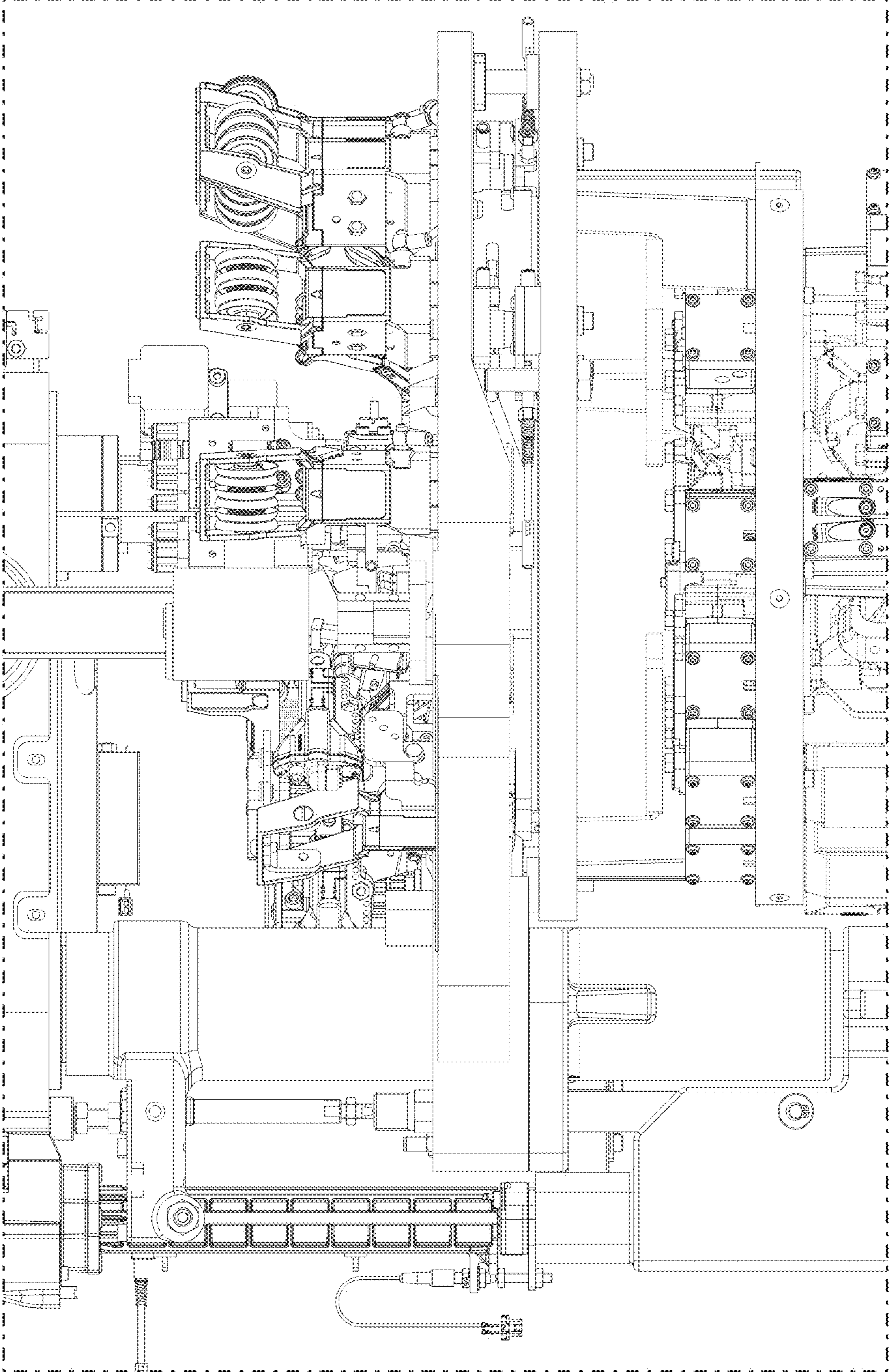


FIG. 12

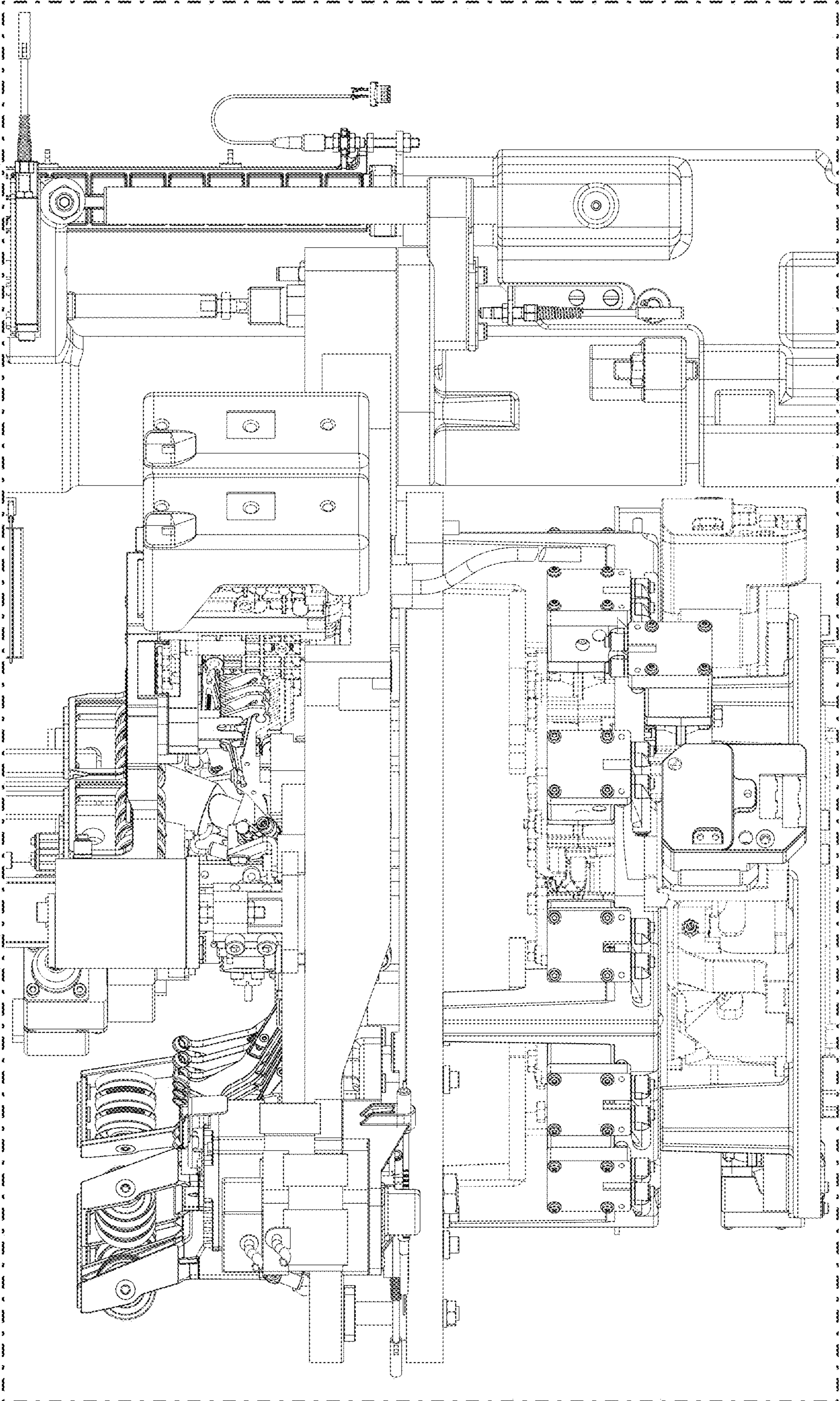


FIG. 13