

US00D967871S

(12) **United States Design Patent** (10) **Patent No.:** **US D967,871 S**
Schauer (45) **Date of Patent:** **** Oct. 25, 2022**

(54) **EXCAVATOR COUPLER**

(71) Applicant: **OilQuick Deutschland KG**, Steindorf (DE)

(72) Inventor: **Stefan Schauer**, Kissing (DE)

(73) Assignee: **OilQuick Deutschland KG**, Steindorf (DE)

(**) Term: **15 Years**

(21) Appl. No.: **35/511,040**

(22) Filed: **Dec. 4, 2020**

(80) **Hague Agreement Data**
 Int. Filing Date: **Dec. 4, 2020**
 Int. Reg. No.: **DM/211775**
 Int. Reg. Date: **Dec. 4, 2020**
 Int. Reg. Pub. Date: **Dec. 25, 2020**

(30) **Foreign Application Priority Data**
 Jun. 8, 2020 (DE) 40 2020 100 546

(51) **LOC (13) Cl.** **15-04**

(52) **U.S. Cl.**
 USPC **D15/28**
 CPC **E02F 3/365** (2013.01)

(58) **Field of Classification Search**
 USPC D15/10-32; D8/382; 414/272, 439;
 172/248, 272, 439, 443
 CPC E02F 3/365; E02F 3/3622; E02F 3/3627;
 F16L 37/127
 See application file for complete search history.

(56) **References Cited**
 U.S. PATENT DOCUMENTS

5,332,353 A * 7/1994 Arnold E02F 3/3622
 172/275
 5,813,822 A * 9/1998 Pisco E02F 3/4135
 414/723

5,984,618 A * 11/1999 Deneve E02F 3/3408
 414/706
 D440,983 S * 4/2001 Miller D15/28
 D455,762 S * 4/2002 Kaczmariski D15/28
 6,379,075 B1 * 4/2002 Shamblin E02F 3/3613
 37/468
 D458,942 S * 6/2002 Balemi D15/28
 6,691,438 B2 * 2/2004 Fatemi E02F 3/3627
 37/468
 6,881,002 B2 * 4/2005 Fatemi E02F 3/3618
 37/468
 7,246,457 B2 * 7/2007 Mieger E02F 3/3663
 37/468
 7,306,395 B2 * 12/2007 Fatemi E02F 3/365
 403/321
 D565,062 S * 3/2008 Miller D15/28
 D574,225 S * 8/2008 Scheib D8/382
 7,473,067 B2 * 1/2009 Nishioka E02F 3/365
 37/468
 D593,848 S * 6/2009 Balemi D8/382
 D593,849 S * 6/2009 Balemi D8/382
 (Continued)

FOREIGN PATENT DOCUMENTS

DE 102017130436 * 6/2019 E02F 3/96
 DE 102020115197 A1 * 12/2021 E02F 3/3622

Primary Examiner — Richard E Chilcot
 (74) *Attorney, Agent, or Firm* — Paul D. Bianco; Fleit
 Intellectual Property Law

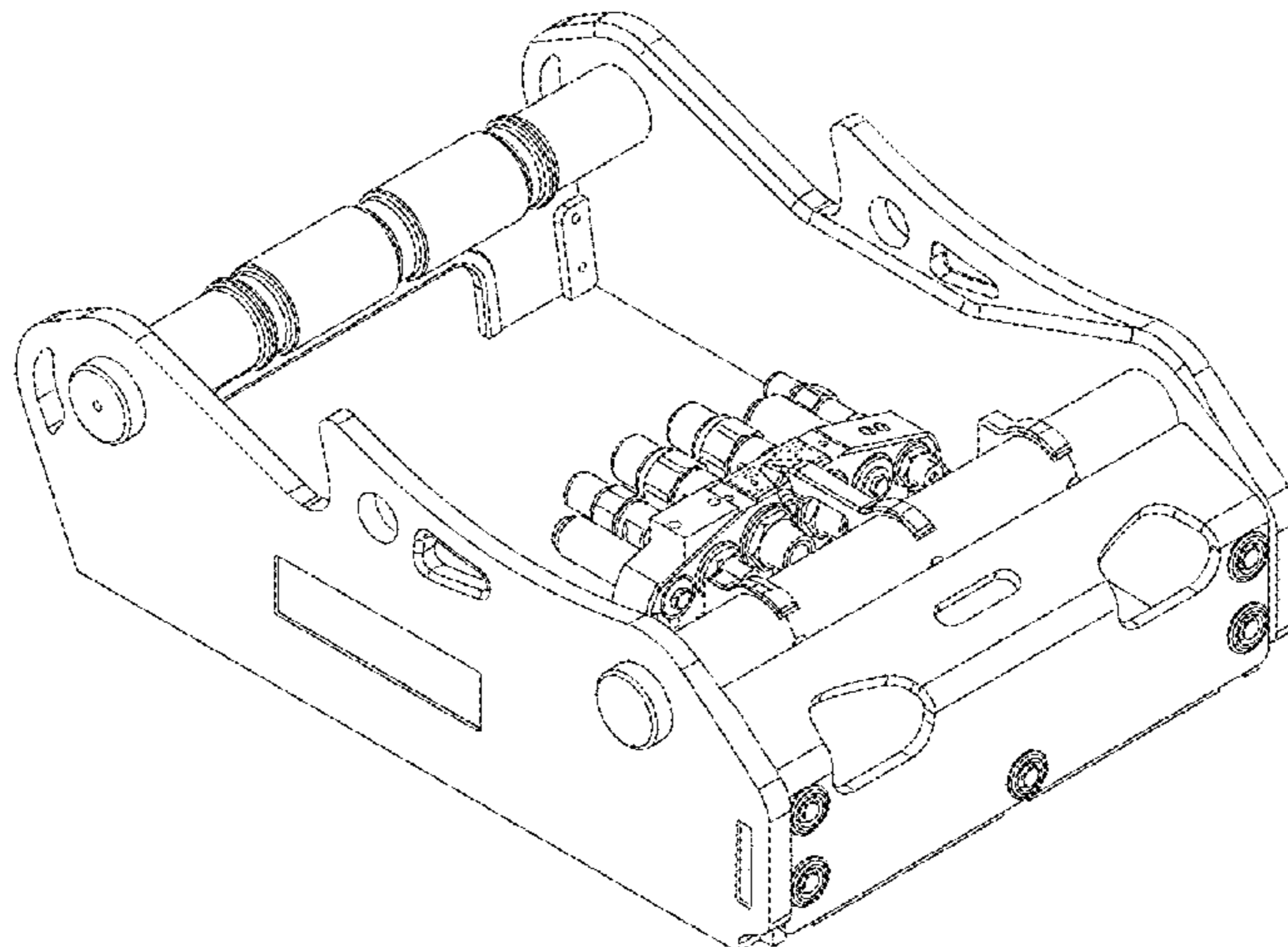
(57) **CLAIM**

The ornamental design for an excavator coupler, as shown and described.

DESCRIPTION

1. Excavator coupler
- 1.1 is a perspective view of the excavator coupler;
- 1.2 is a front view thereof;
- 1.3 is a rear view thereof;
- 1.4 is a top view thereof;
- 1.5 is a bottom view thereof;
- 1.6 is a left side view thereof; and,
- 1.7 is a right side view thereof.

1 Claim, 7 Drawing Sheets



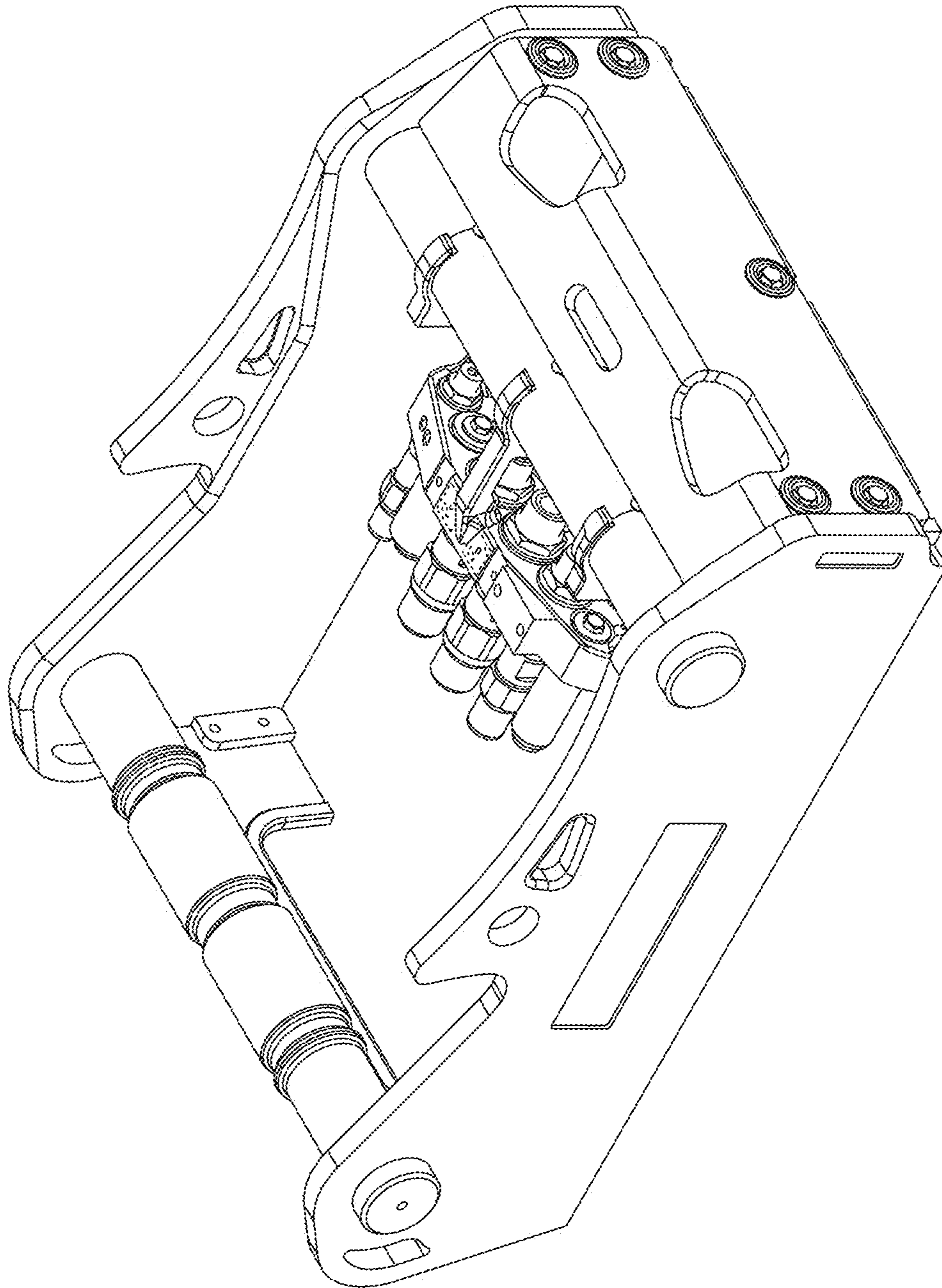
(56)

References Cited

U.S. PATENT DOCUMENTS

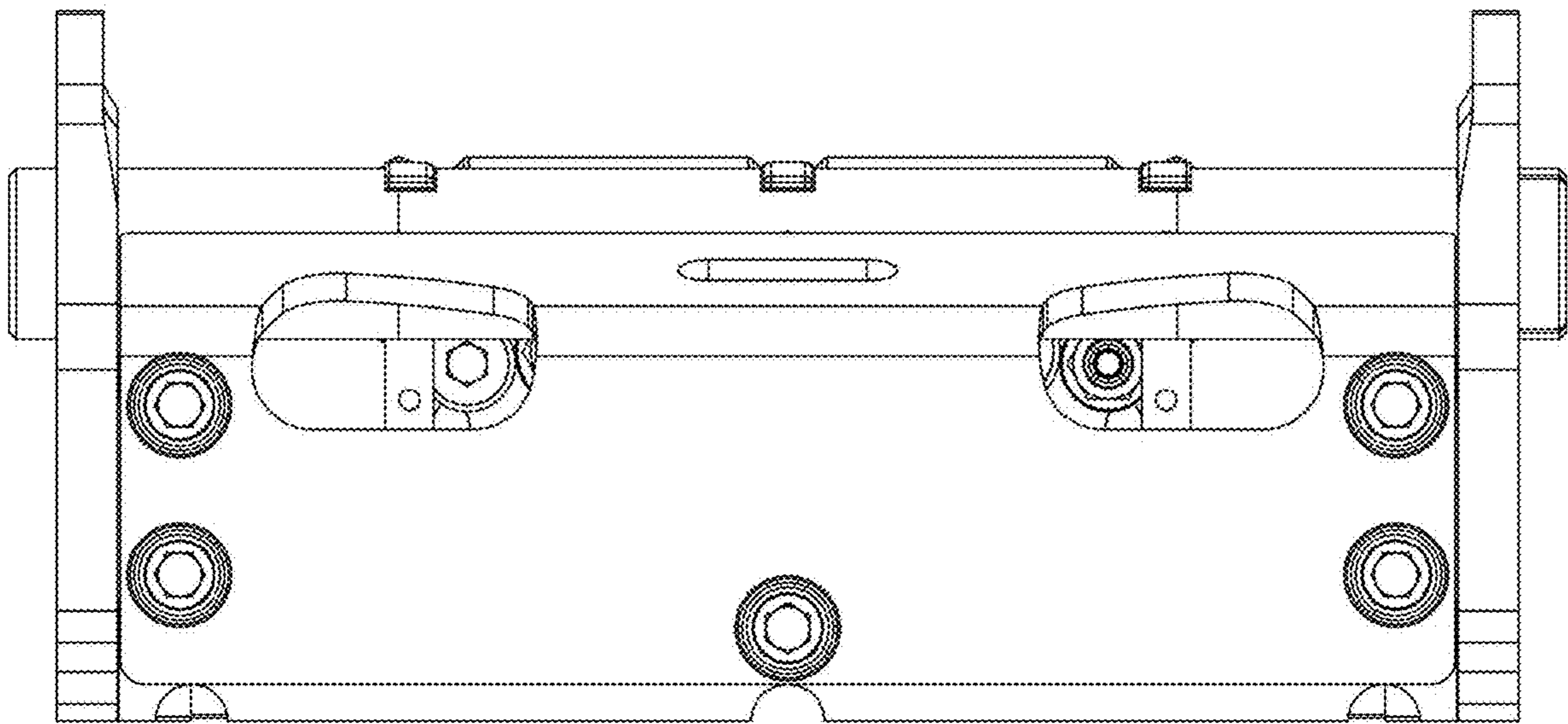
D599,198	S *	9/2009	Balemi	D8/382
D620,502	S *	7/2010	Ballinger	D15/28
D638,037	S *	5/2011	Miller	D15/28
D638,038	S *	5/2011	Miller	D15/28
D638,039	S *	5/2011	Miller	D15/28
D638,448	S *	5/2011	Miller	D15/28
D643,051	S *	8/2011	Bercsik	D15/32
D645,063	S *	9/2011	Bercsik	D15/32
D673,982	S *	1/2013	Miller	D15/28
D927,293	S *	8/2021	Axelsson	D8/382
D927,294	S *	8/2021	Axelsson	D8/382
2020/0002913	A1 *	1/2020	Kollmann	E02F 3/3618
2020/0149243	A1 *	5/2020	Schmid	E02F 3/365

* cited by examiner

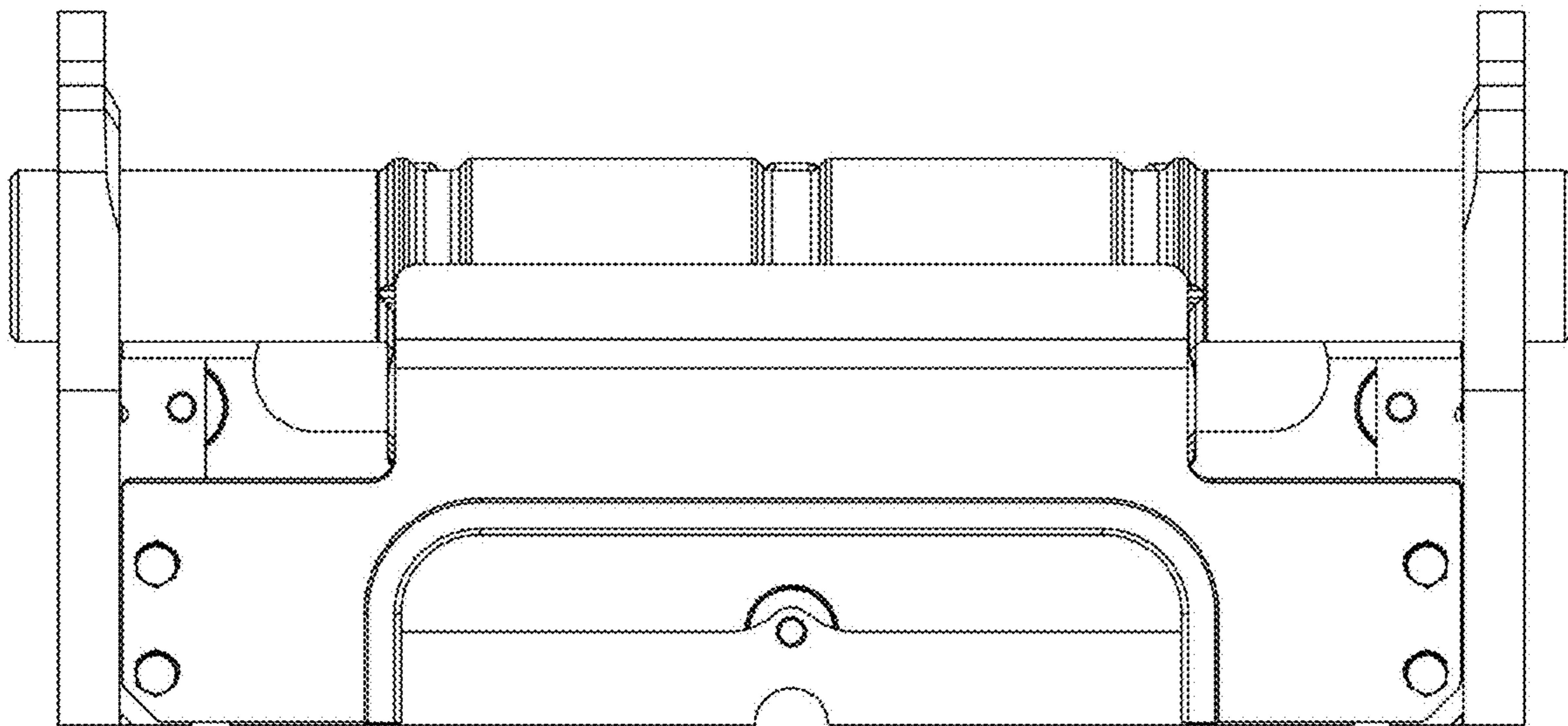


11

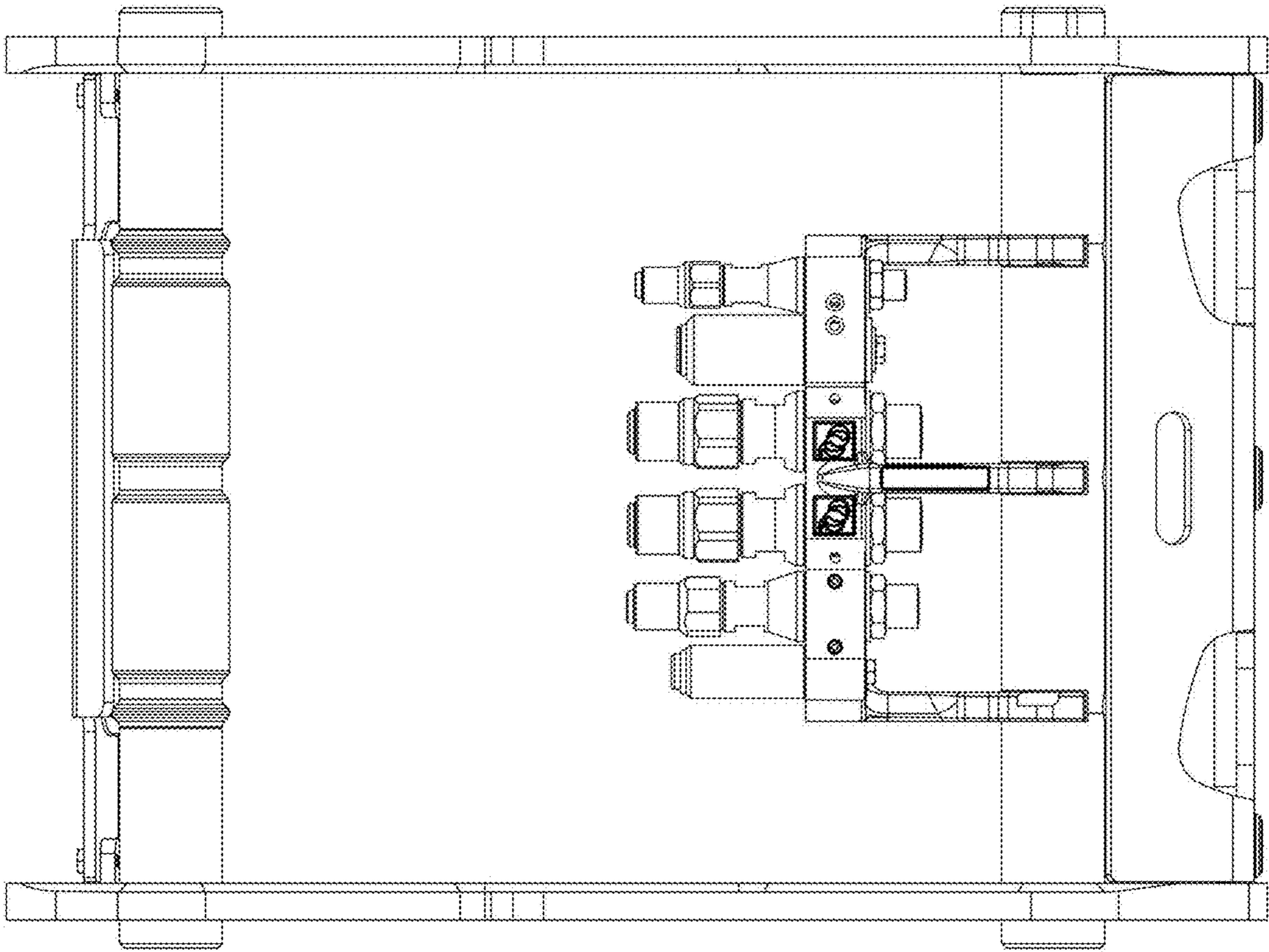
1.2



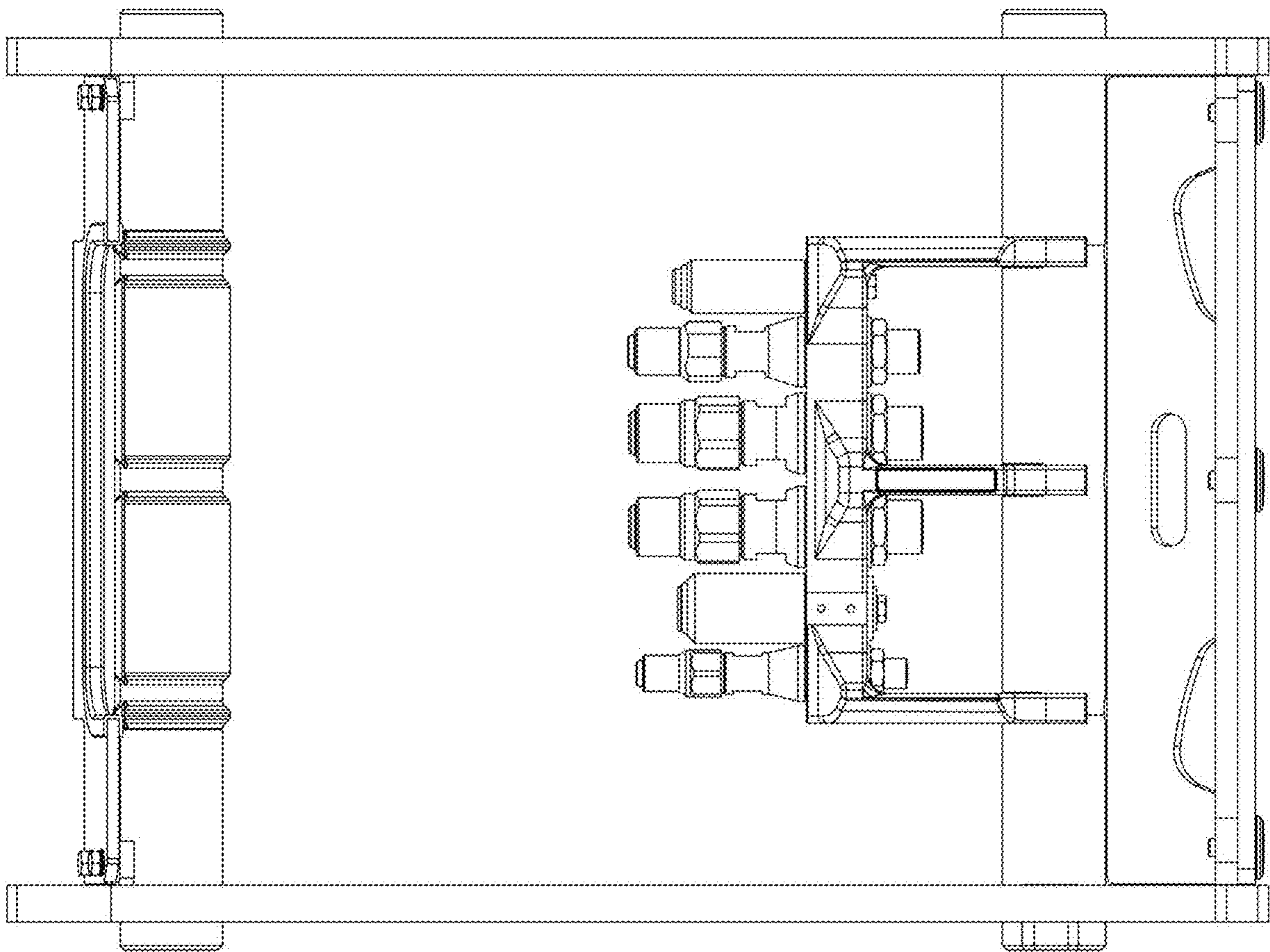
1.3



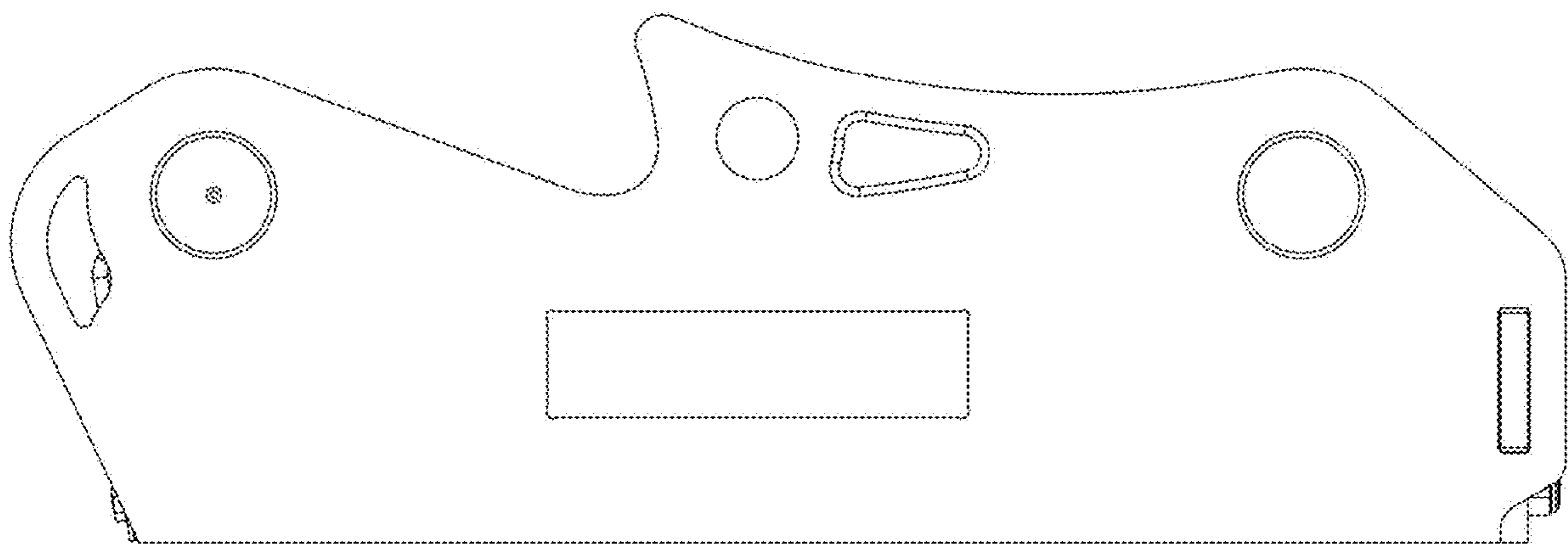
1.4



1.5



1.6



1.7

