

US00D967870S

(12) **United States Design Patent**  
**DeBoer et al.**

(10) **Patent No.:** **US D967,870 S**  
(45) **Date of Patent:** **\*\* Oct. 25, 2022**

(54) **COMMODITY TANK FOR A WORK VEHICLE**

(71) Applicant: **Deere & Company**, Moline, IL (US)

(72) Inventors: **Daniel J. DeBoer**, Waucom, IA (US);  
**Jeremy P. L'Heureux**, Cedar Falls, IA (US);  
**Ryan G. Brown**, Waterloo, IA (US);  
**Charles N. Warren**, Cedar Falls, IA (US);  
**Steven G. Melnyk**, Des Moines, IA (US)

(73) Assignee: **DEERE & COMPANY**, Moline, IL (US)

(\*\*) Term: **15 Years**

(21) Appl. No.: **29/726,030**

(22) Filed: **Feb. 28, 2020**

(51) **LOC (13) Cl.** ..... **15-03**

(52) **U.S. Cl.**  
USPC ..... **D15/28**

(58) **Field of Classification Search**  
USPC ..... D15/15, 17, 23, 28; D12/218  
CPC .... B60K 15/00; B60K 15/03; B60K 15/0306;  
B60K 15/063; B60K 15/073; B60K 15/07;  
B62D 21/16; F02M 37/0094  
See application file for complete search history.

(56) **References Cited**

**U.S. PATENT DOCUMENTS**

1,472,078	A	10/1923	Lucius
2,660,452	A	11/1953	Johnson
2,743,934	A	5/1956	Chambers et al.
3,396,983	A	8/1968	Massey et al.
3,794,131	A	2/1974	Freedman et al.

(Continued)

**FOREIGN PATENT DOCUMENTS**

DE	19730825	A1	8/1998
DE	102007046678	A1	4/2009

(Continued)

**OTHER PUBLICATIONS**

8RX from John Deere, Twitter post by Willie 1701A, <https://twitter.com/willie1701a/status/1369321347248234507>, Mar. 9, 2021 (Year: 2021).\*

(Continued)

*Primary Examiner* — Richard Kearney  
*Assistant Examiner* — Benjamin M Weeks  
(74) *Attorney, Agent, or Firm* — Tucker Ellis LLP

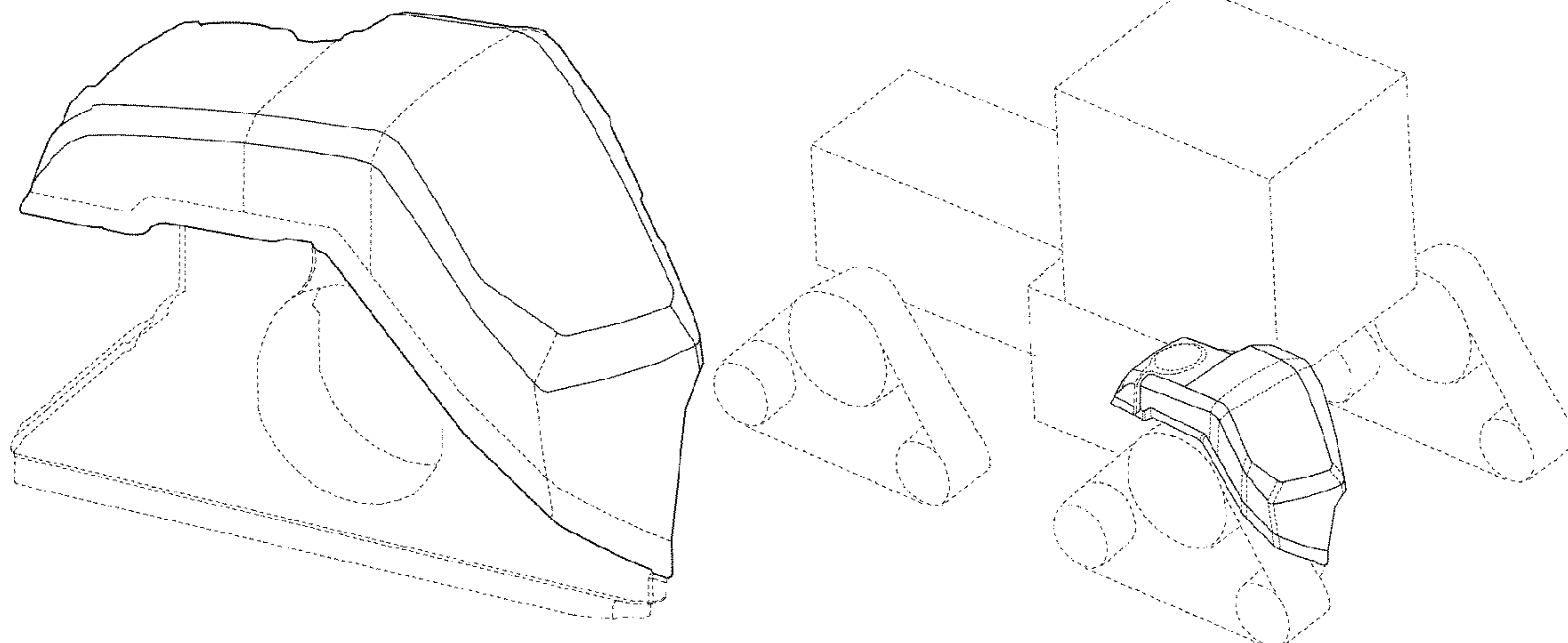
(57) **CLAIM**

The ornamental design for a commodity tank for a work vehicle, as shown and described.

**DESCRIPTION**

FIG. 1 is a top, rear, and left side perspective view of a left commodity tank for a work vehicle in accordance with an embodiment;  
FIG. 2 is a left side elevation view of the left commodity tank of FIG. 1;  
FIG. 3 is a right side elevation view of the left commodity tank of FIG. 1;  
FIG. 4 is a front elevation view of the left commodity tank of FIG. 1;  
FIG. 5 is a rear elevation view of the left commodity tank of FIG. 1;  
FIG. 6 is a top plan view of the left commodity tank of FIG. 1;  
FIG. 7 is a bottom plan view of the left commodity tank of FIG. 1; and,  
FIG. 8 is a top, rear, and left side perspective view of the left commodity tank of FIG. 1 showing it in a work vehicle environment.  
The broken line representations in the figures show unclaimed environment or boundaries, and thus form no part of the claimed design.

**1 Claim, 8 Drawing Sheets**



(56)

References Cited

U.S. PATENT DOCUMENTS

4,480,845 A 11/1984 Hansen  
 D282,921 S 3/1986 Eureka  
 4,643,441 A 2/1987 Schartz  
 D433,425 S 11/2000 Surridge  
 D435,503 S 12/2000 Gukeisen  
 6,203,065 B1 3/2001 Batton  
 6,286,870 B1 9/2001 Mulder et al.  
 D441,710 S 11/2001 Moehle  
 6,550,811 B1 4/2003 Bennett  
 D484,893 S 1/2004 Hsiao  
 6,742,612 B2 6/2004 Campbell et al.  
 D551,153 S 9/2007 Oury  
 D562,350 S 2/2008 Higashikawa  
 D564,431 S 3/2008 Orr  
 D588,054 S 3/2009 Xi-Ren  
 7,523,804 B2 4/2009 Tanaka et al.  
 D591,774 S \* 5/2009 Kokitkar ..... D15/28  
 D644,160 S 8/2011 Fries  
 D644,161 S 8/2011 Fries  
 D647,166 S 10/2011 Kimball  
 D655,372 S 3/2012 Kimball  
 D656,520 S 3/2012 Ortlund  
 8,172,268 B2 5/2012 Komorida et al.  
 D663,325 S 7/2012 Thunstrom  
 D669,099 S 10/2012 Ringer  
 D694,167 S 11/2013 Forsberg  
 8,585,064 B2 11/2013 Ringer et al.  
 D695,202 S 12/2013 Forsberg  
 D713,424 S 9/2014 Gonzales  
 D728,632 S 5/2015 Klassen  
 D728,633 S 5/2015 Klassen  
 D772,773 S 11/2016 Andersen  
 D773,773 S 11/2016 Anderson et al.  
 D775,238 S 12/2016 Roemer  
 9,586,634 B2 3/2017 Buchanan et al.  
 D792,479 S 7/2017 Sasaki  
 D795,930 S \* 8/2017 Buckelew ..... D15/28  
 D803,756 S 11/2017 Anderson et al.  
 9,884,662 B2 2/2018 Eavenson, Sr. et al.  
 D825,714 S \* 8/2018 Buckelew ..... D23/202  
 10,077,145 B1 \* 9/2018 Boucher ..... F16K 15/066  
 D835,683 S \* 12/2018 Zabe ..... D15/28  
 D835,684 S \* 12/2018 Zabe ..... D15/28  
 D837,720 S \* 1/2019 Schwalbe ..... D12/218  
 D837,835 S \* 1/2019 Schwalbe ..... D15/28  
 D872,773 S \* 1/2020 Wise ..... D15/28  
 10,526,031 B2 1/2020 Freytag  
 D878,641 S \* 3/2020 Zabe ..... D26/28  
 D887,946 S \* 6/2020 Prater ..... D12/218  
 D890,675 S \* 7/2020 Fellman ..... D12/218  
 D890,816 S \* 7/2020 Parzynski ..... D15/29  
 D891,336 S 7/2020 Bering et al.  
 D900,169 S \* 10/2020 Boone ..... D15/28

D901,547 S \* 11/2020 Gade ..... D15/28  
 D901,548 S \* 11/2020 Mossman ..... D15/28  
 D901,549 S \* 11/2020 Baviskar ..... D15/28  
 D901,550 S \* 11/2020 Bjerke ..... D15/29  
 D901,551 S \* 11/2020 Bjerke ..... D15/29  
 D901,552 S \* 11/2020 Bjerke ..... D15/29  
 D903,223 S \* 11/2020 Watson ..... D34/34  
 D903,725 S \* 12/2020 Loew ..... D15/28  
 D903,969 S \* 12/2020 Watson ..... D34/34  
 2003/0015536 A1 1/2003 Tekulve et al.  
 2003/0111501 A1 6/2003 McGraw et al.  
 2007/0272696 A1 \* 11/2007 Kallevig ..... B60K 15/04  
 220/562  
 2009/0223975 A1 9/2009 McCallister  
 2013/0048688 A1 2/2013 Mulder  
 2018/0273142 A1 9/2018 Mangum et al.  
 2019/0053422 A1 2/2019 Holst  
 2019/0107089 A1 \* 4/2019 Bykowski ..... F02M 37/103  
 2019/0183106 A1 6/2019 Hafvenstein et al.  
 2019/0359417 A1 11/2019 d'Alessandro  
 2020/0108714 A1 4/2020 Selvaraj et al.  
 2020/0114801 A1 4/2020 Bering et al.  
 2020/0262488 A1 8/2020 Bering et al.  
 2020/0262498 A1 8/2020 Bender et al.  
 2020/0282826 A1 9/2020 Moore  
 2020/0290697 A1 \* 9/2020 Erhard ..... B60K 15/03  
 2021/0105933 A1 4/2021 King et al.

FOREIGN PATENT DOCUMENTS

DE 102009009817 A1 8/2010  
 DE 102012109085 A1 3/2014  
 DE 102017201425 A1 8/2017  
 DE 102017118762 A1 2/2019  
 DE 102017217391 A1 4/2019  
 EP 0860350 B1 8/2003

OTHER PUBLICATIONS

Specification and Figures for related unpublished U.S. application for Fender for Work Vehicle, U.S. Appl. No. 29/680,663, filed Feb. 19, 2019. 21 Pages.  
 Specification and Figures for related unpublished U.S. application for Vehicle Tank, U.S. Appl. No. 29/666,463, filed Oct. 12, 2018. 8 Pages.  
 Specification and Figures for related unpublished U.S. application for Work Vehicle With Support Device for Mounting a Commodity Tank and Support Device Mounting a Commodity Tank to a Work Vehicle, U.S. Appl. No. 16/805,137, filed Feb. 28, 2020. 51 Pages.  
 Non-Final Office Action for related U.S. Appl. No. 29/666,463, dated Jun. 25, 2020. 8 pages.  
 German Search Report dated Jun. 23, 2020 for Application Serial No. 102019213708.3 (8 pages).

\* cited by examiner

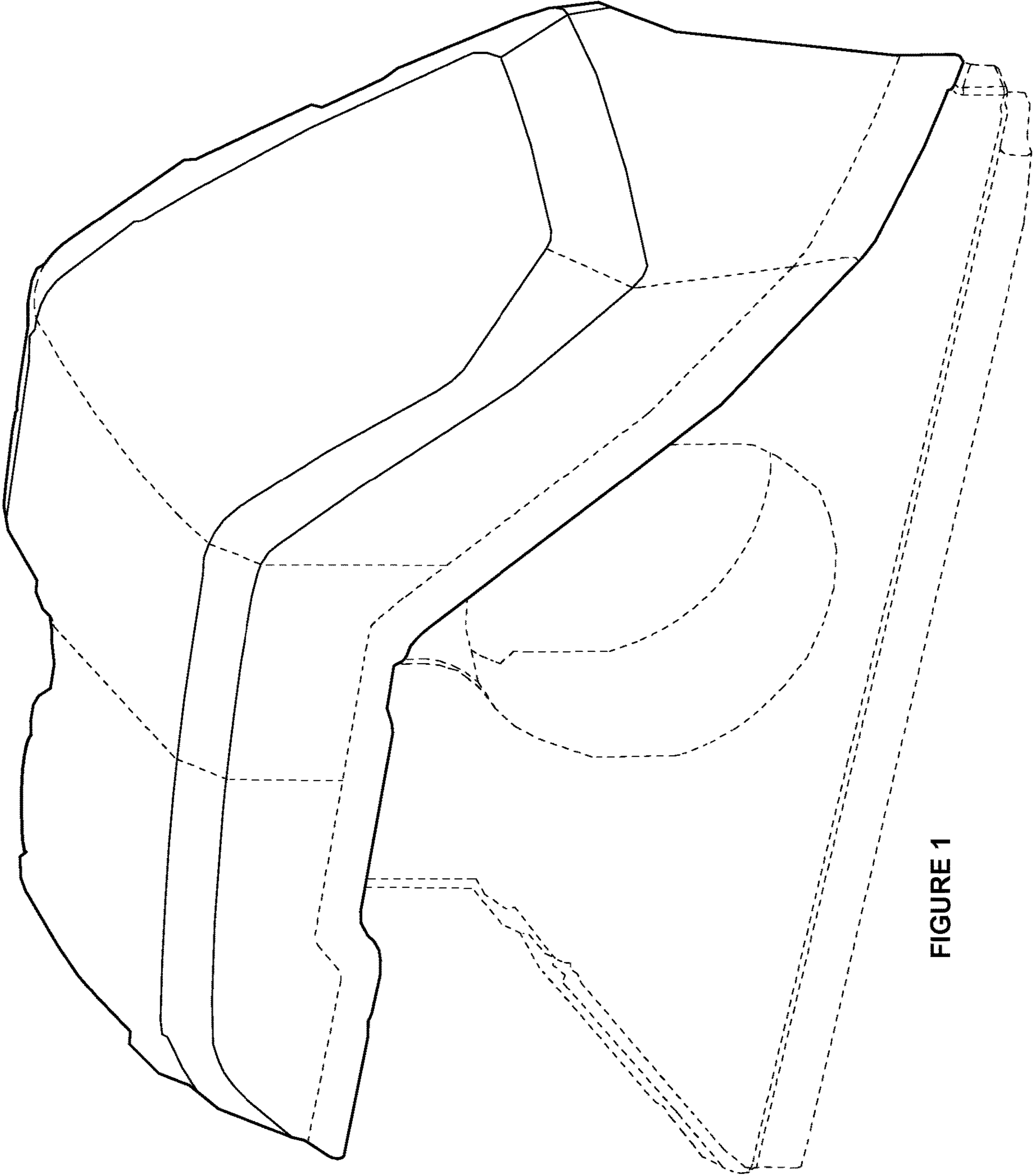


FIGURE 1

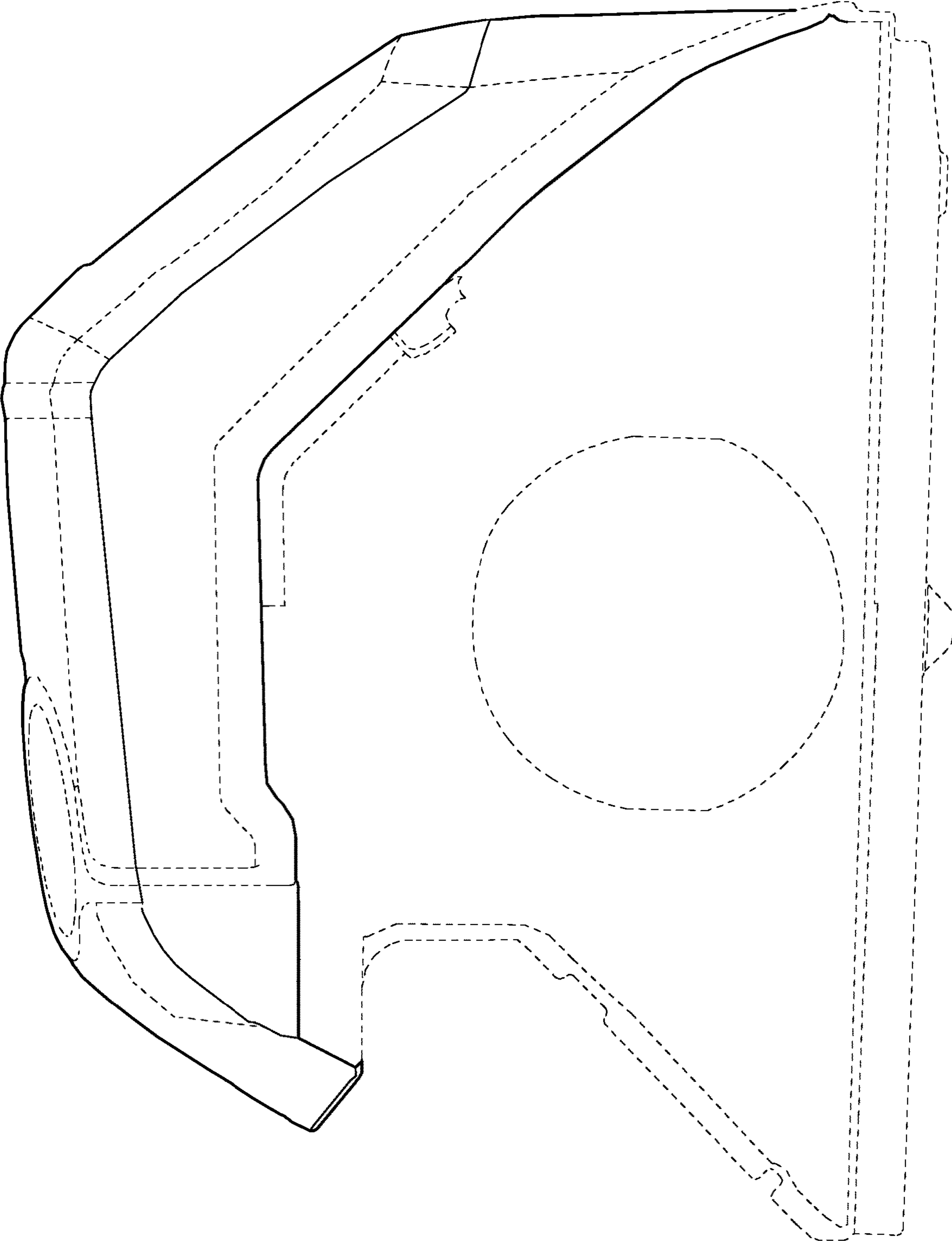


FIGURE 2

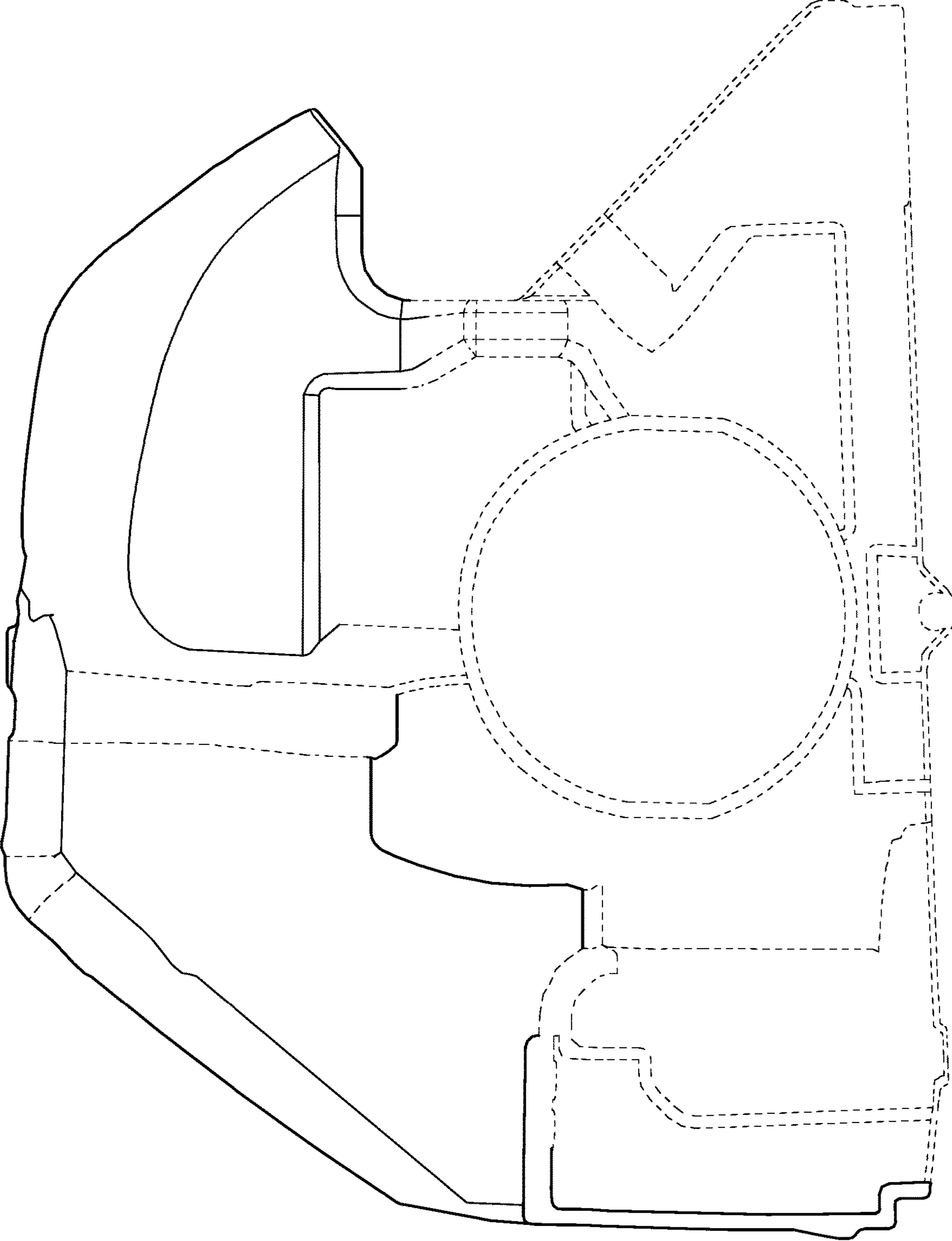


FIGURE 3

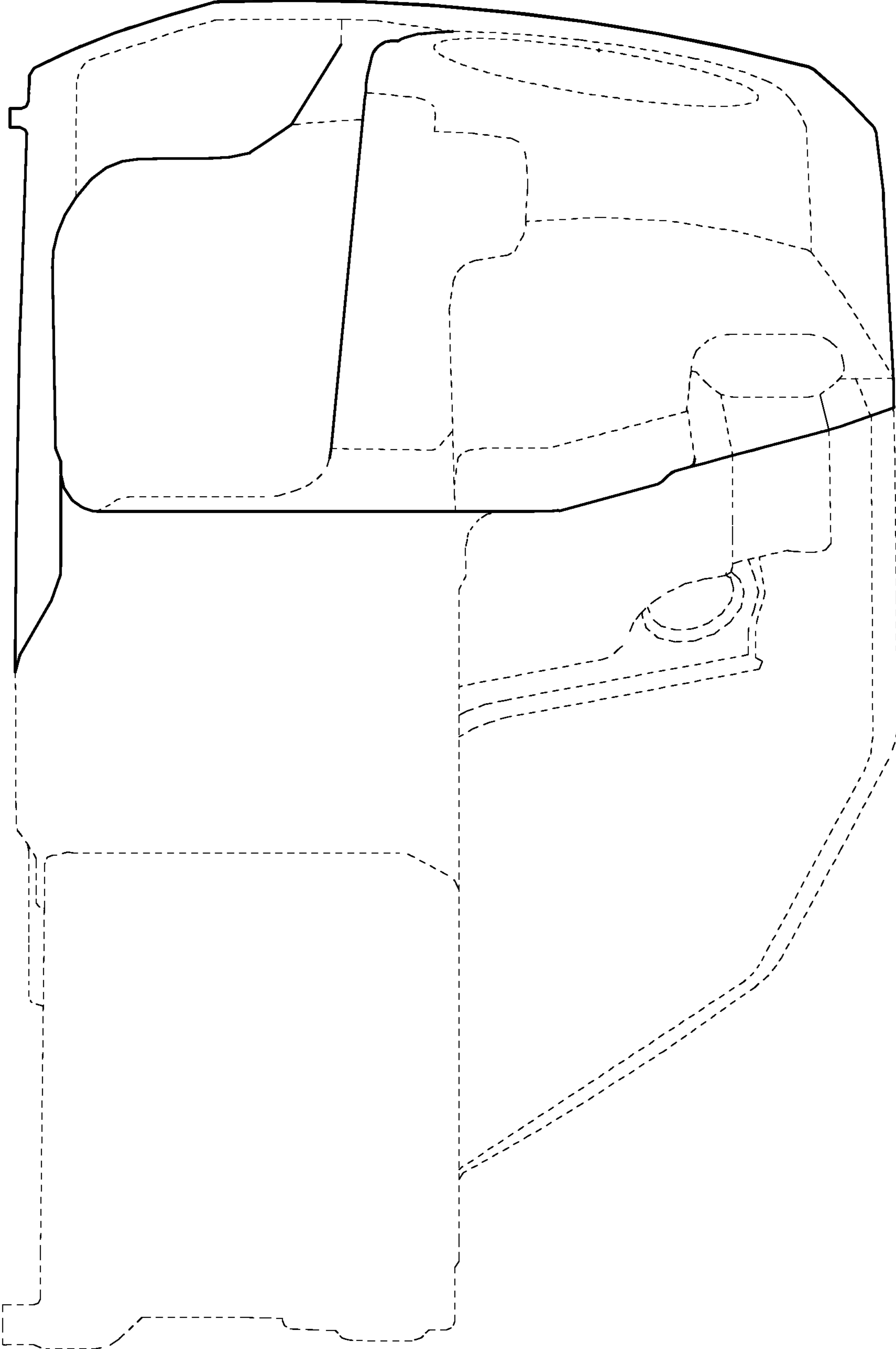


FIGURE 4

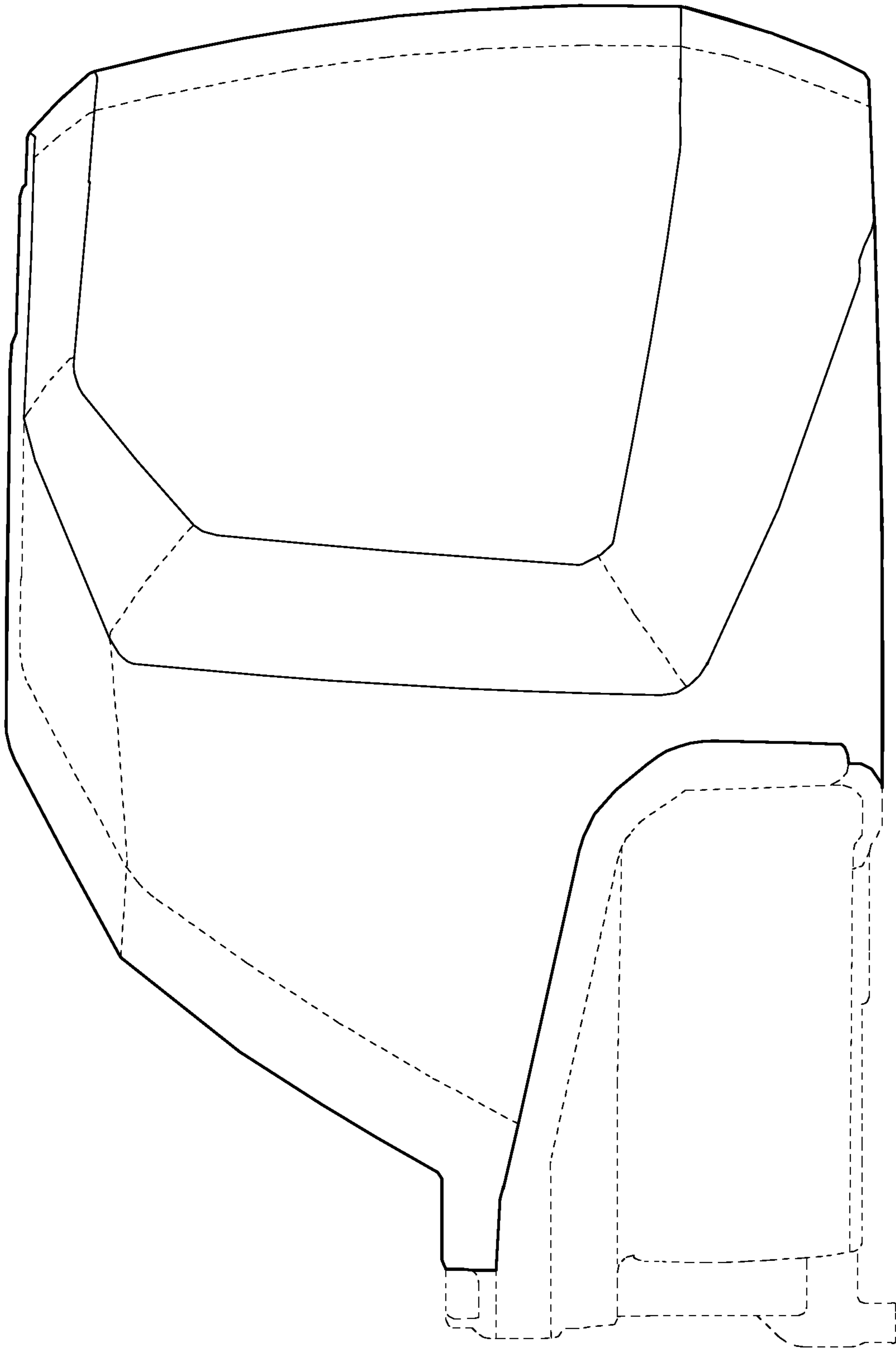


FIGURE 5

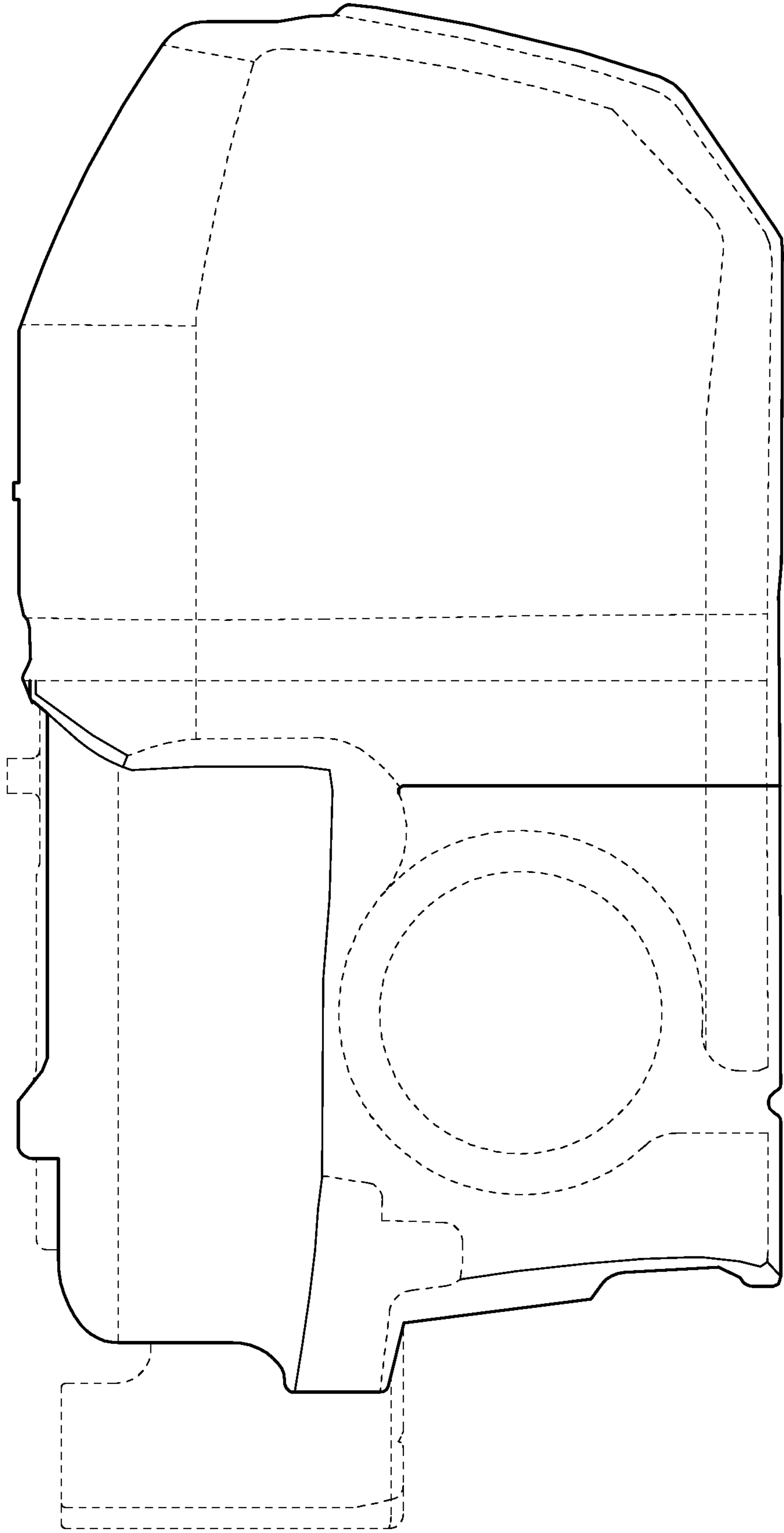


FIGURE 6



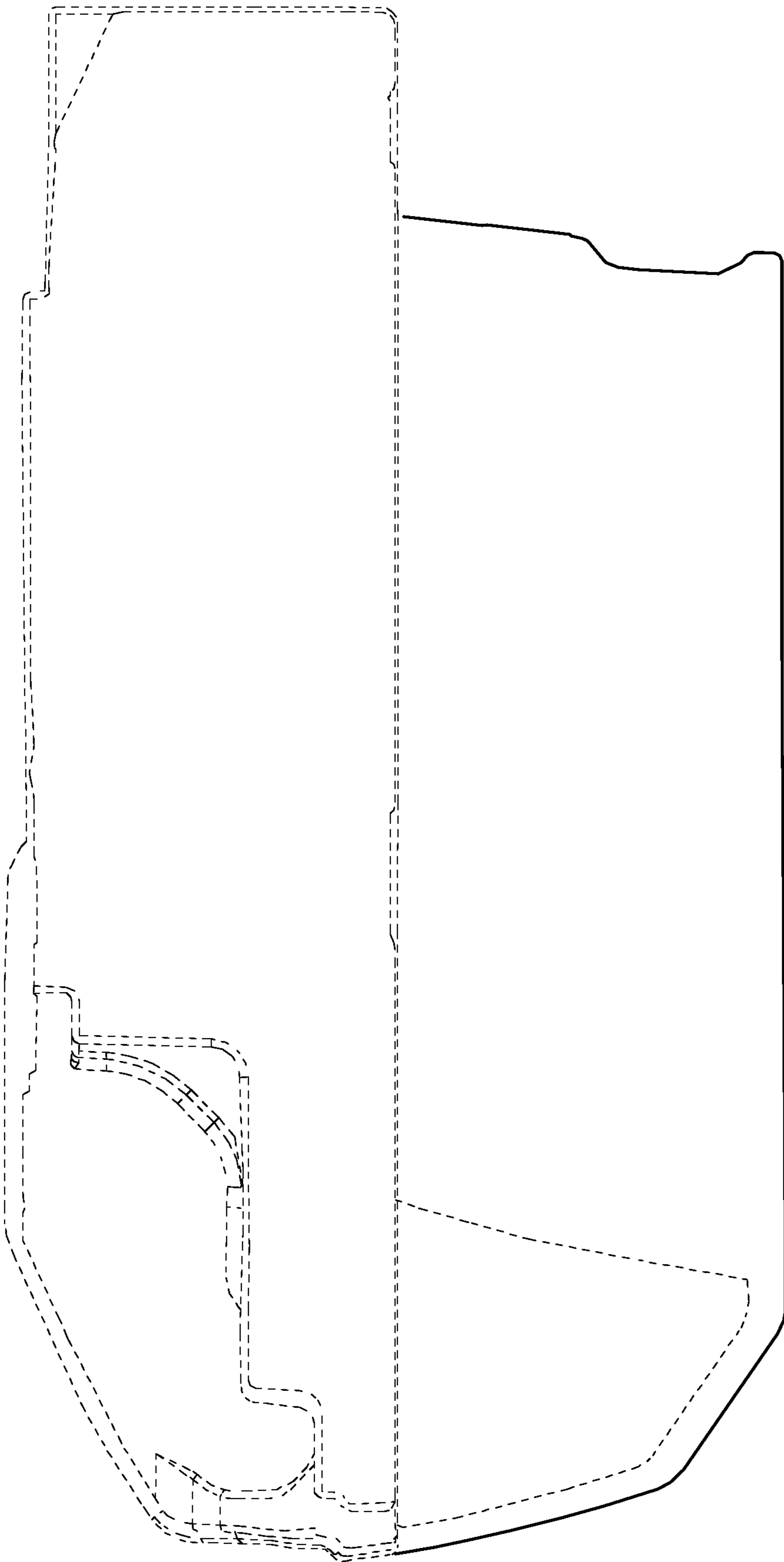


FIGURE 7

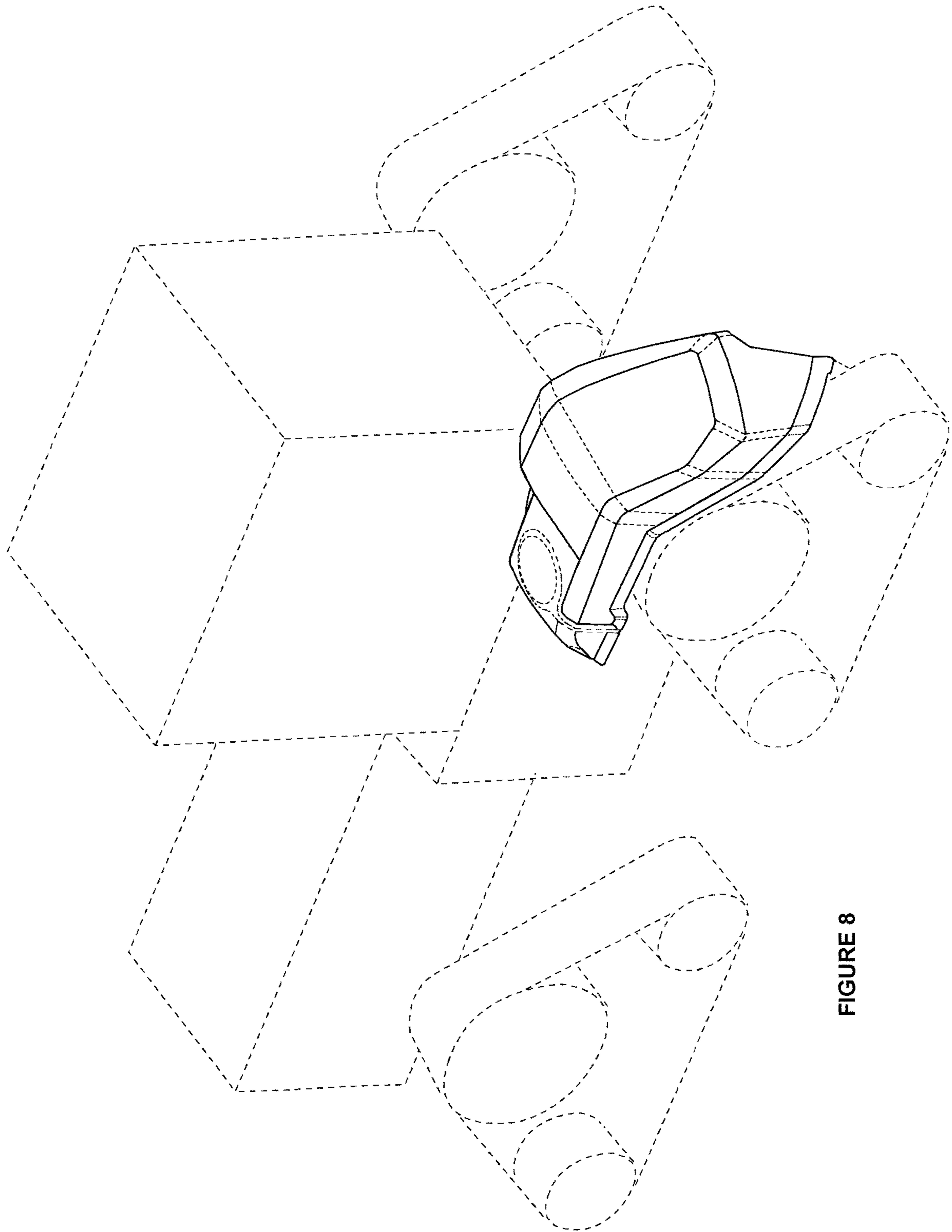


FIGURE 8