

US00D967869S

(12) **United States Design Patent**  
**Jin**

(10) **Patent No.:** **US D967,869 S**  
(45) **Date of Patent:** **\*\* Oct. 25, 2022**

(54) **WOOD CHIPPER**

(71) Applicant: **YONGKANG MAXPOWER TECHNOLOGY CO., LTD**, Zhejiang (CN)

(72) Inventor: **Xuancong Jin**, Yongkang (CN)

(73) Assignee: **Yongkang Maxpower Technology Co., Ltd.**, Yongkang (CN)

(\*\*) Term: **15 Years**

(21) Appl. No.: **29/758,790**

(22) Filed: **Nov. 18, 2020**

(30) **Foreign Application Priority Data**

Nov. 2, 2020 (CN) ..... 202030657759.3

(51) **LOC (13) Cl.** ..... **15-02**

(52) **U.S. Cl.**  
USPC ..... **D15/10**

(58) **Field of Classification Search**  
USPC ..... D15/10, 19, 26, 27  
CPC ..... B02C 18/06; B02C 18/18; B02C 18/22;  
B02C 18/2291; B02C 13/20; B02C 19/00;  
B66D 1/60; A01D 34/005; A01D 34/69;  
A01D 42/005; B27L 11/00; B27L 11/02;  
B27L 11/08; B27L 11/005; A01G 3/00;  
A01G 3/02

See application file for complete search history.

(56) **References Cited**

**U.S. PATENT DOCUMENTS**

3,726,488 A \* 4/1973 Aasland ..... B02C 18/06  
56/16.8  
D234,815 S \* 4/1975 MacKissic ..... D15/10  
D328,603 S \* 8/1992 Piltz ..... D15/10  
5,199,653 A \* 4/1993 Durrant ..... B02C 18/2291  
241/73

D345,983 S \* 4/1994 Bold ..... D15/10  
5,305,959 A \* 4/1994 Chesser ..... B02C 18/2291  
241/101.78  
5,358,189 A \* 10/1994 Vandermolen ..... B02C 13/04  
241/154  
5,390,865 A \* 2/1995 Vandermolen ..... B02C 18/143  
241/101.76  
D356,801 S \* 3/1995 Bold ..... D15/10  
5,669,563 A \* 9/1997 Gearing ..... A01G 3/002  
241/101.78  
D514,128 S \* 1/2006 Lee ..... D15/10  
(Continued)

**OTHER PUBLICATIONS**

PowerKing (3"), 7 HP Kohler Tow-Behind Wood Chipper Shredder—PK0913, (site visited Feb. 17, 2022), Land Mark Tools website, URL:<<https://landmarktools.com/products/powerking-3-chipper-pk0913>> (Year: 2022).\*

(Continued)

*Primary Examiner* — Calvin E Vansant  
*Assistant Examiner* — Mark T. Philipps  
(74) *Attorney, Agent, or Firm* — Bay State IP, LLC

(57) **CLAIM**

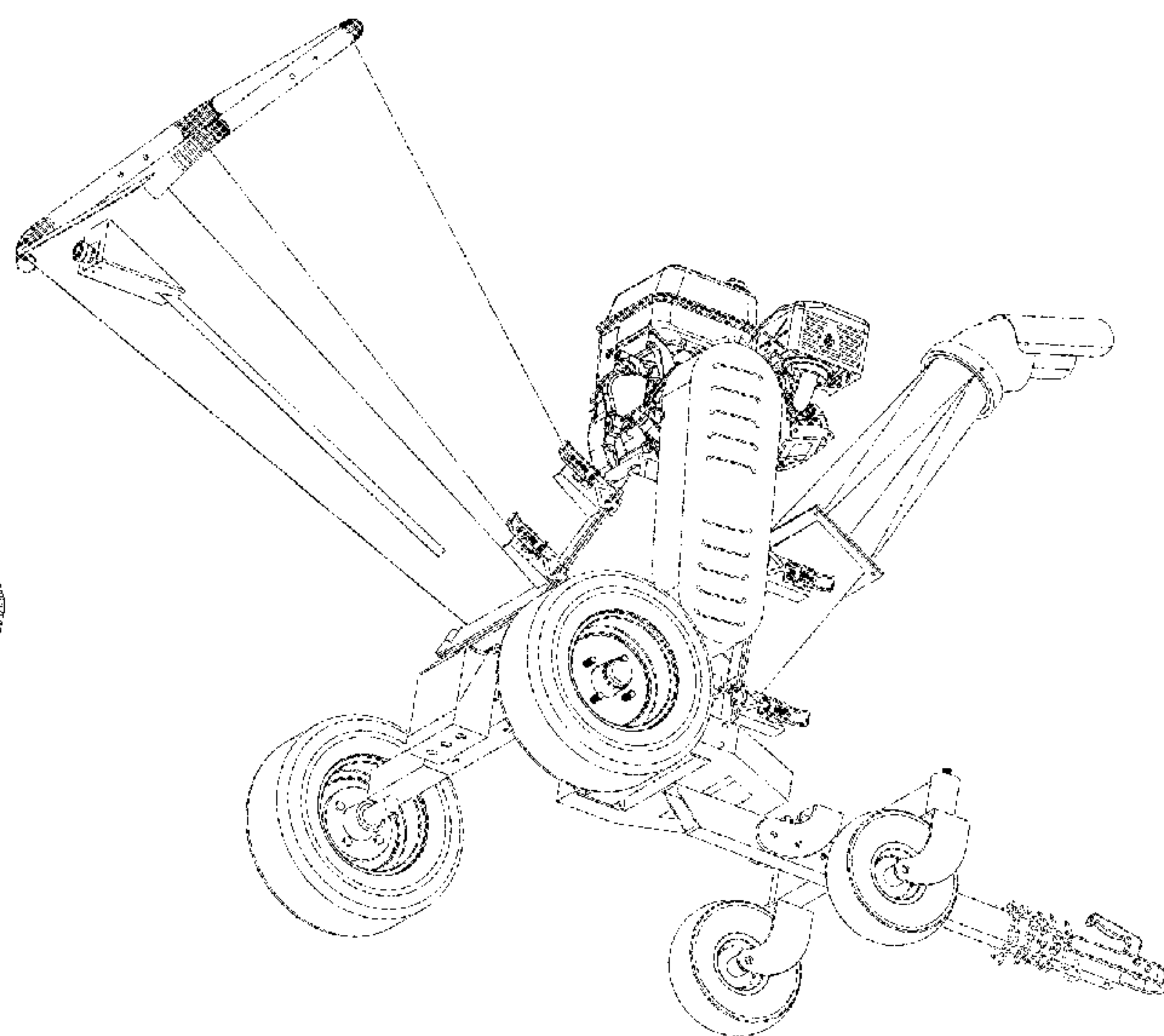
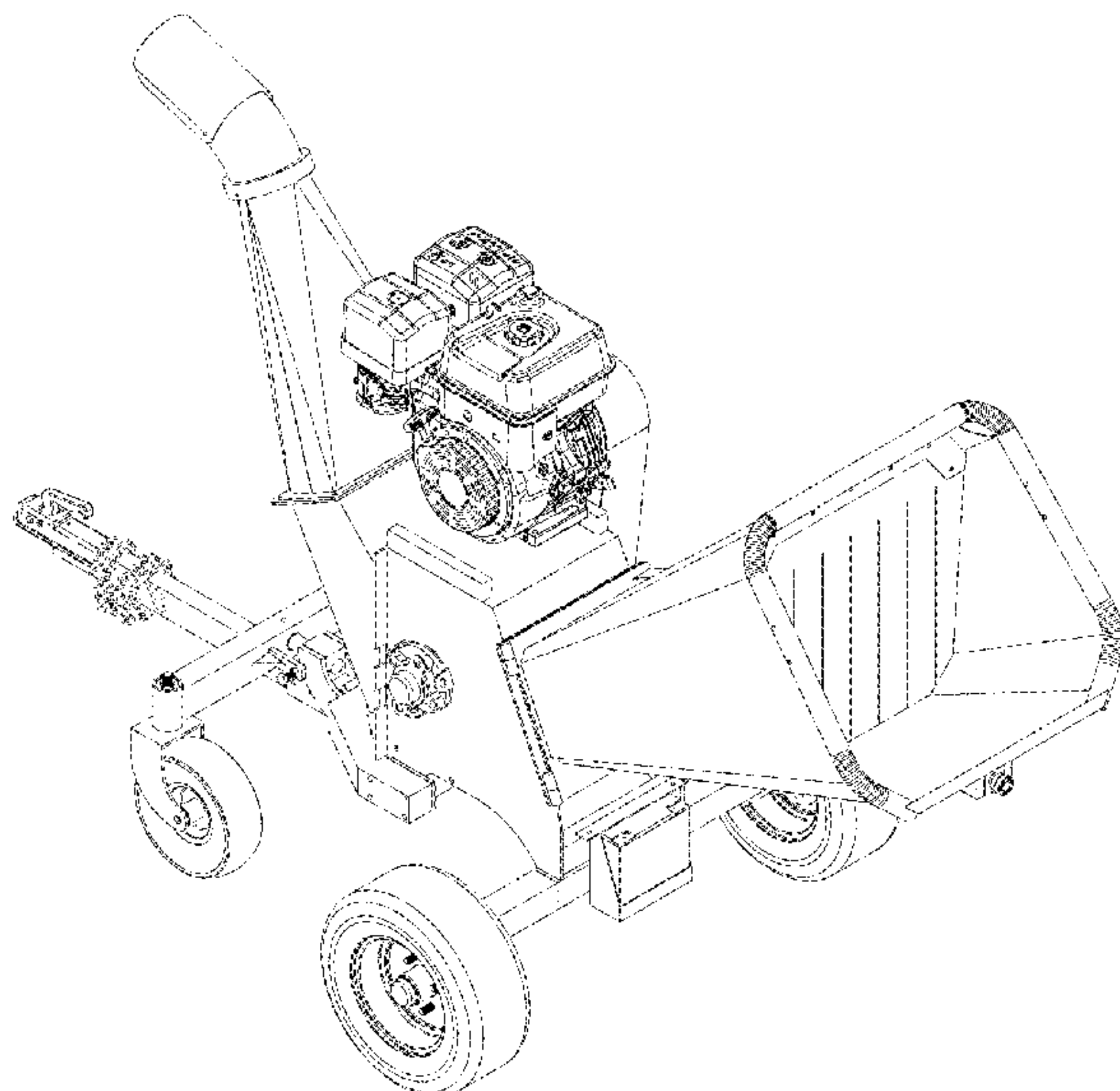
The ornamental design for a wood chipper, as shown and described.

**DESCRIPTION**

FIG. 1 is a top perspective view showing my new design; FIG. 2 is a bottom perspective view thereof; FIG. 3 is a front view thereof; FIG. 4 is a back view thereof; FIG. 5 is a left side view thereof; FIG. 6 is a right side view thereof; FIG. 7 is a top view thereof; and, FIG. 8 is a bottom view thereof.

The broken lines shown in the drawings depict portions of the wood chipper that form no part of the claim.

**1 Claim, 8 Drawing Sheets**



(56)

**References Cited**

U.S. PATENT DOCUMENTS

7,552,884 B2 \* 6/2009 Gross ..... A01G 3/002  
 241/261.1  
 7,798,436 B2 \* 9/2010 Cornelius ..... A01G 3/002  
 241/298  
 7,878,434 B2 \* 2/2011 Grant ..... B02C 18/2225  
 241/101.76  
 9,144,804 B2 \* 9/2015 Kessler ..... B02C 18/18  
 D781,925 S \* 3/2017 Kanchibhotla ..... D15/10  
 D784,418 S \* 4/2017 Jin ..... D15/10  
 10,507,469 B2 \* 12/2019 Schie ..... B02C 18/2283  
 10,631,466 B2 \* 4/2020 Kanchibhotla ..... B27L 11/02  
 D899,467 S \* 10/2020 Jin ..... D15/10  
 D931,904 S \* 9/2021 Wang ..... D15/10  
 11,173,496 B2 \* 11/2021 Bramley ..... B27L 11/002  
 D939,588 S \* 12/2021 Xu ..... D15/10  
 D943,639 S \* 2/2022 Scott ..... D15/19  
 D953,378 S \* 5/2022 Xu ..... D15/10  
 2005/0023388 A1 \* 2/2005 Reinhold ..... B02C 18/2216  
 241/101.78  
 2010/0126628 A1 \* 5/2010 Leonard ..... B02C 18/2225  
 144/246.1  
 2014/0231559 A1 \* 8/2014 Schie ..... B27L 11/002  
 241/37.5  
 2014/0263775 A1 \* 9/2014 Satterwhite ..... B66D 3/006  
 254/332

OTHER PUBLICATIONS

Detail K2, 429-cc Kohler 6-in Steel Gas Wood Chipper OPC566E, (site visited Feb. 17, 2022), Lowes.com website, URL:<<https://www.lowes.com/pd/Detail-K2-6-in-14-HP-Gas-Powered-Kohler-Engine-Kinetic-Chipper-Shredder-with-Electric-Start-and-DOT-Road-Legal-Tires/1002826368>> (Year: 2022).\*

\* cited by examiner

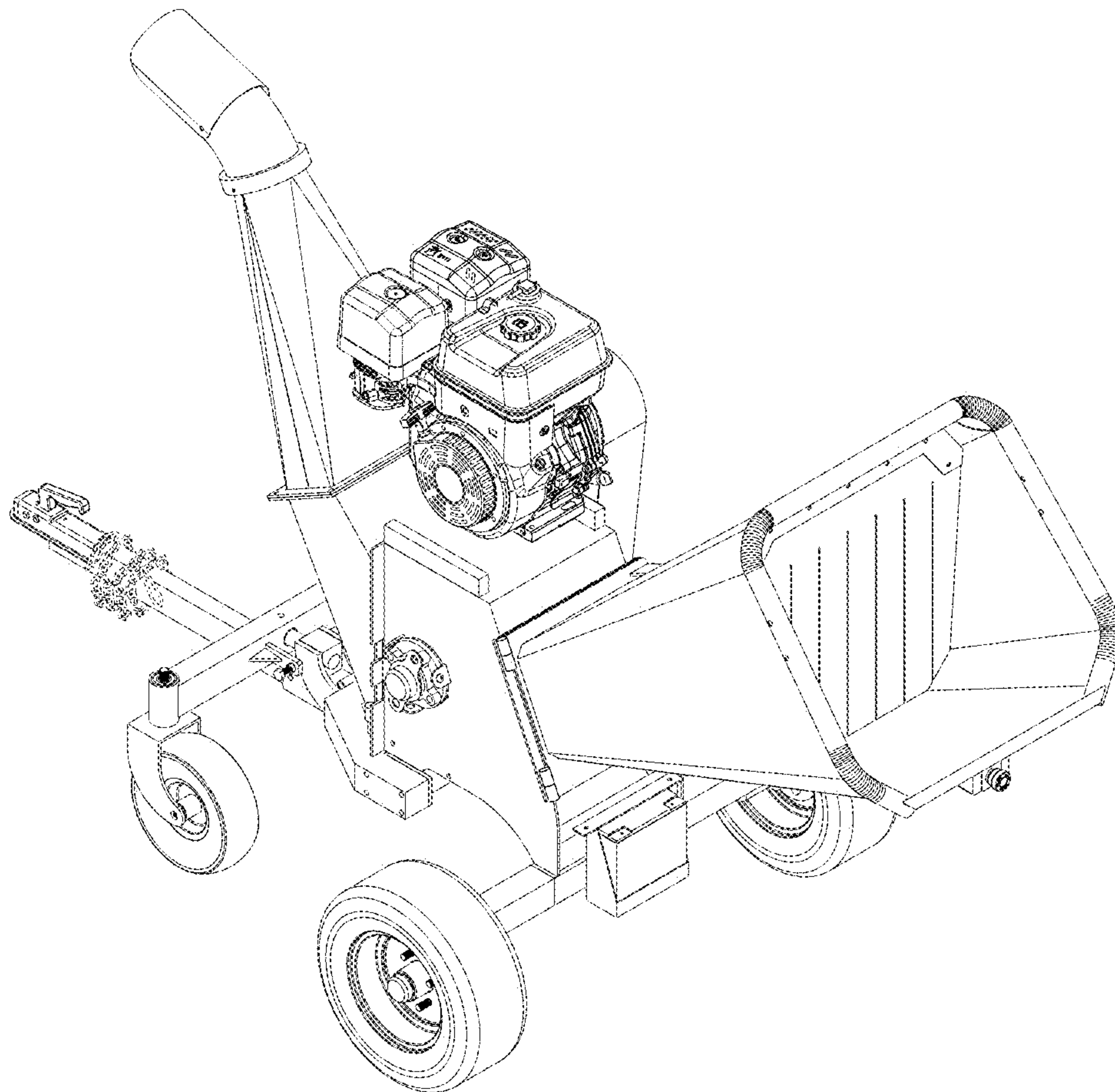


FIG. 1



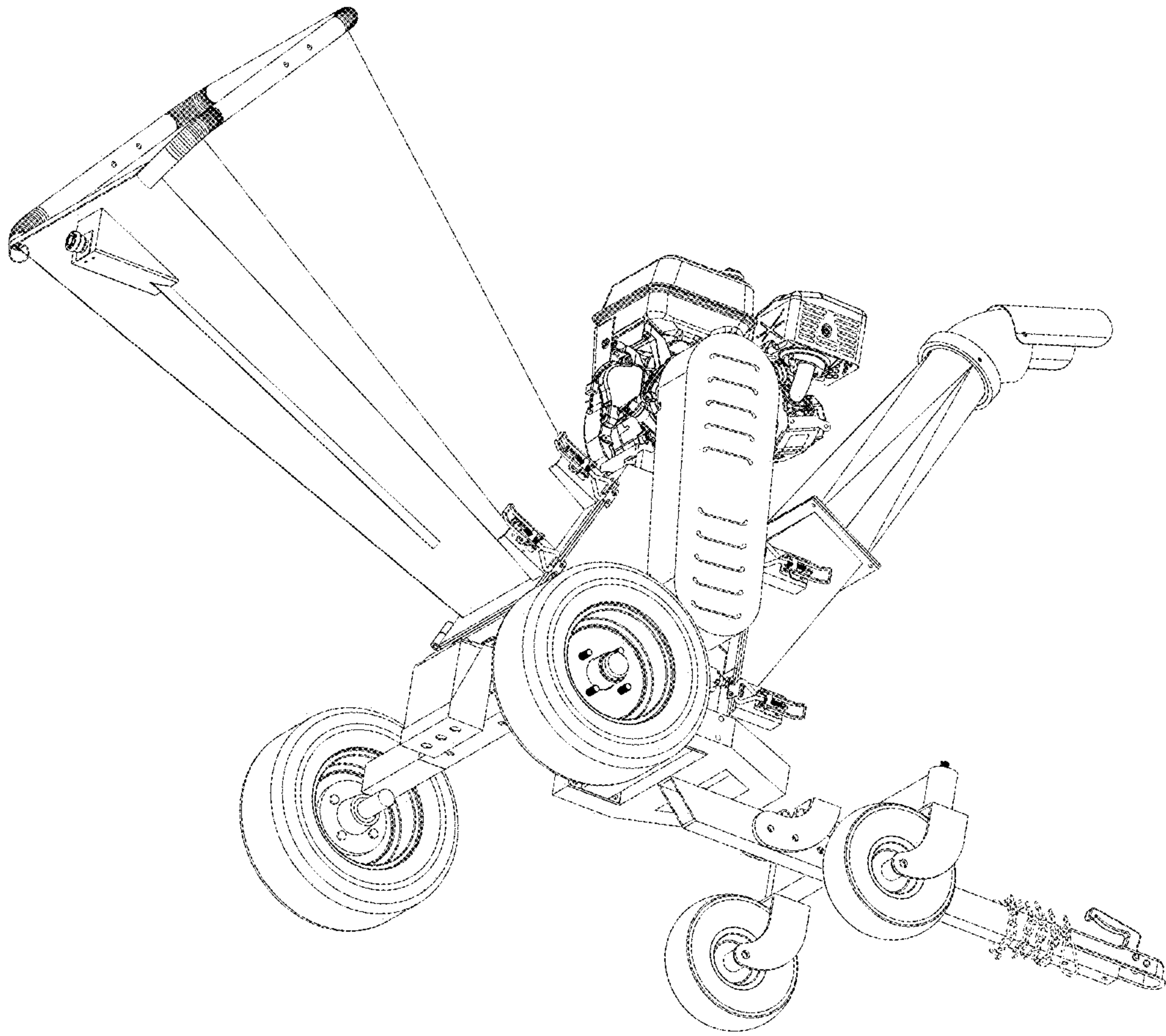


FIG. 2

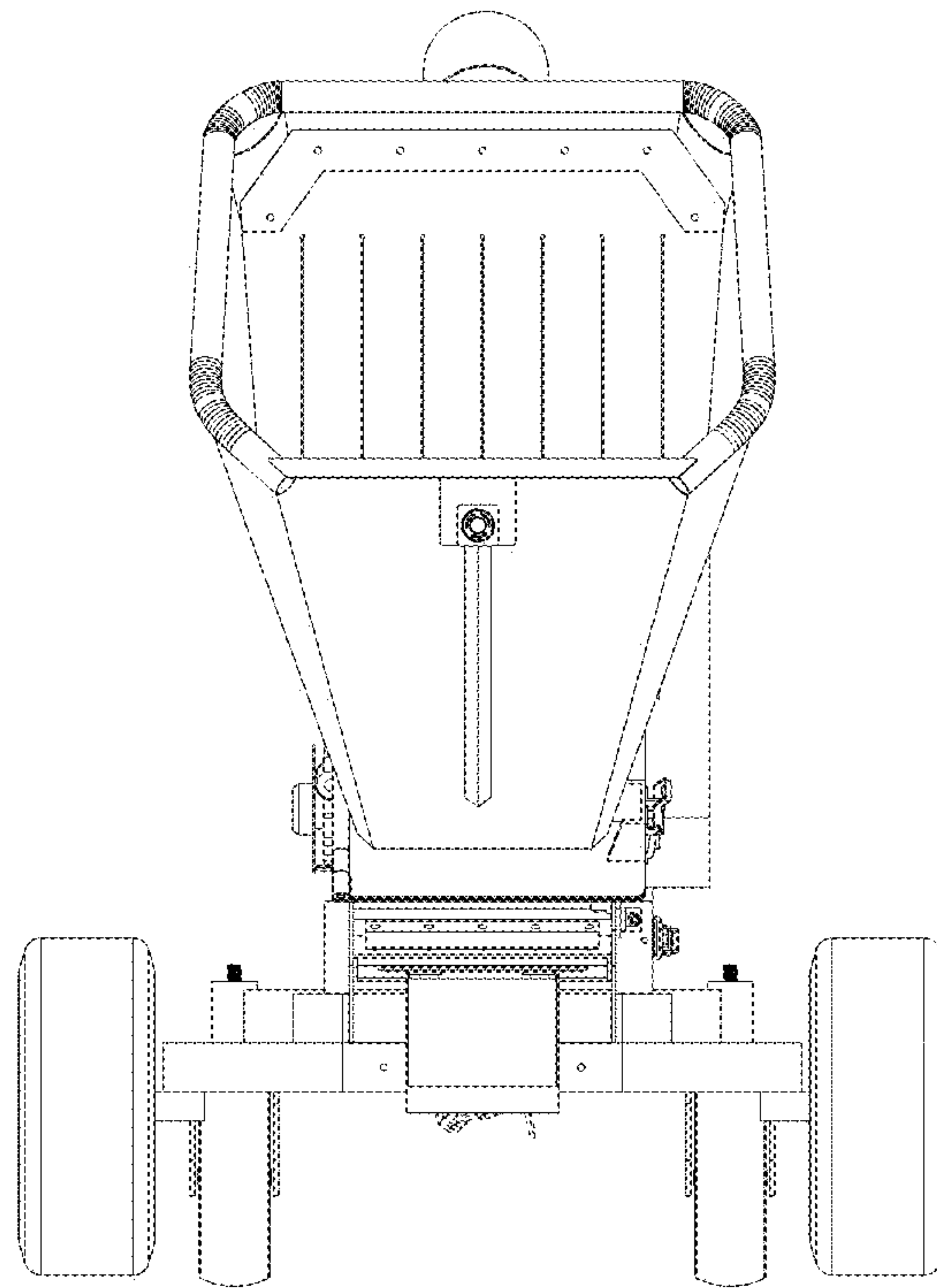


FIG. 3

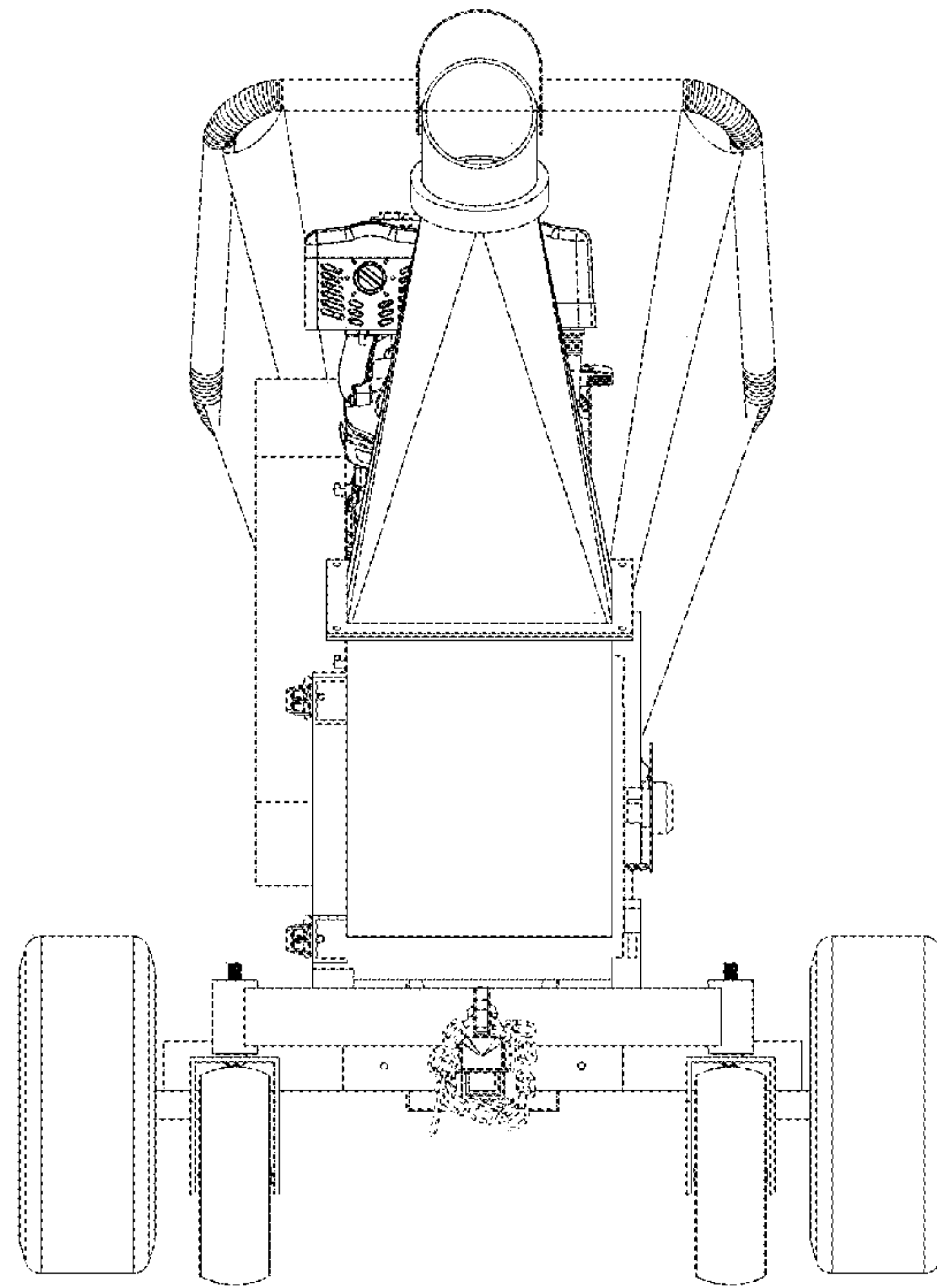


FIG. 4

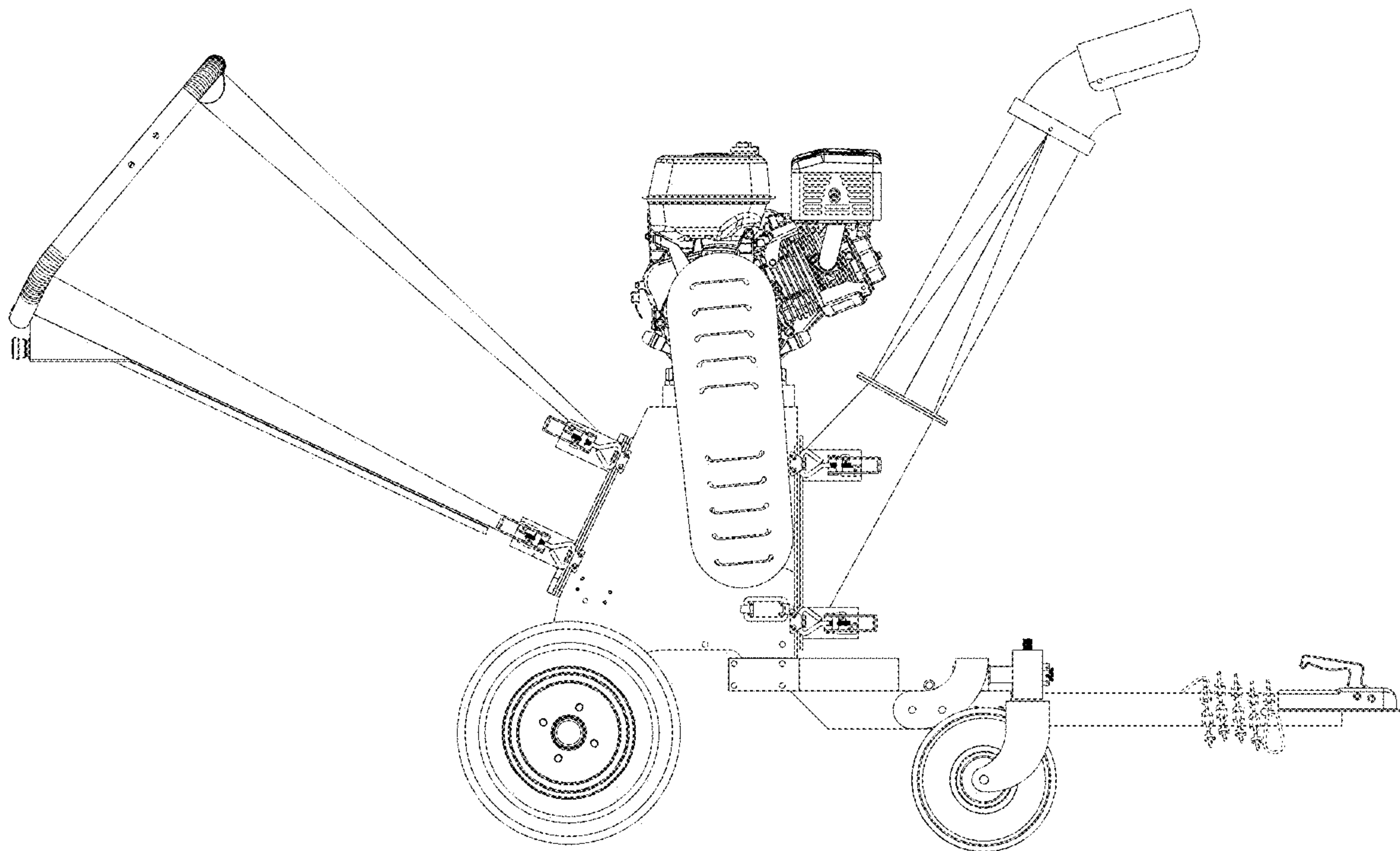


FIG. 5

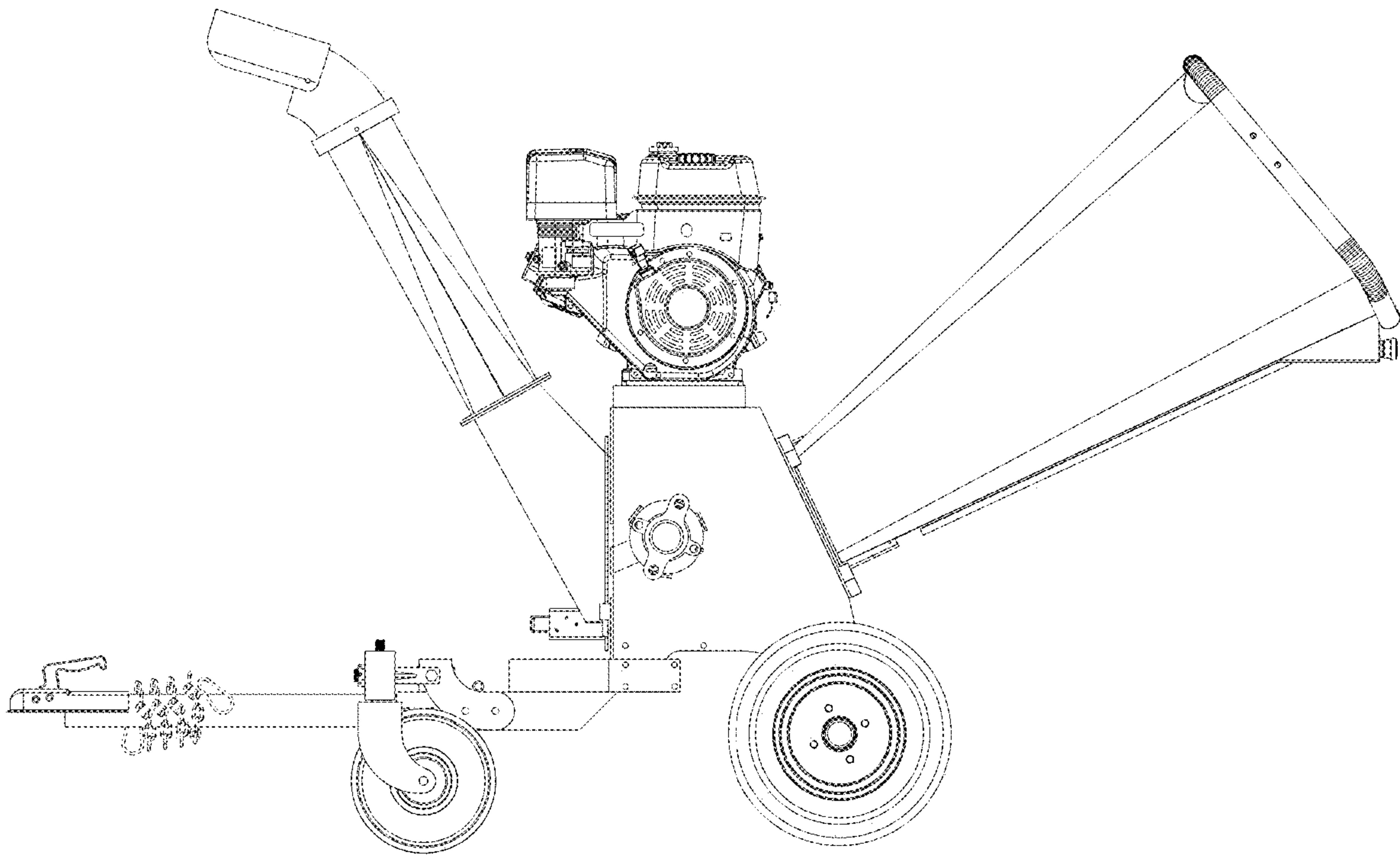


FIG. 6



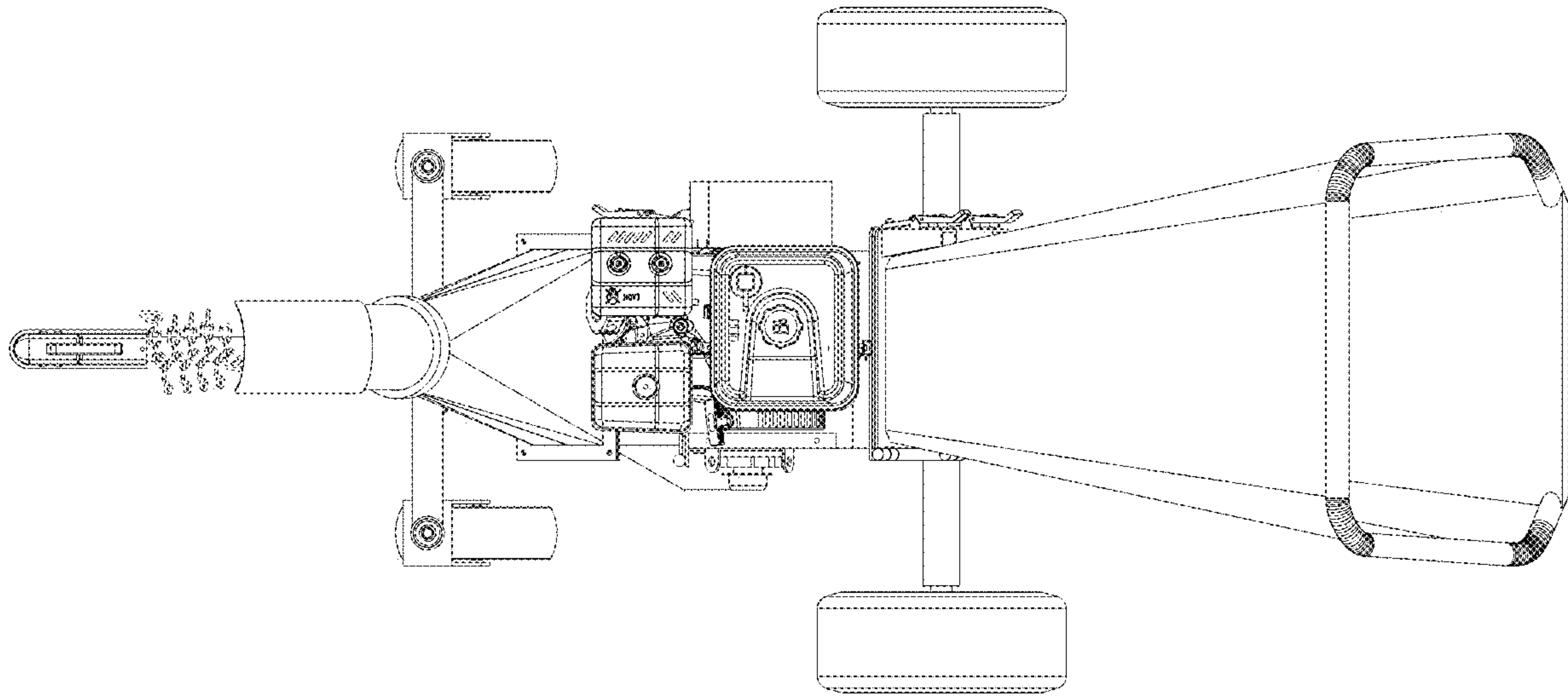


FIG. 7

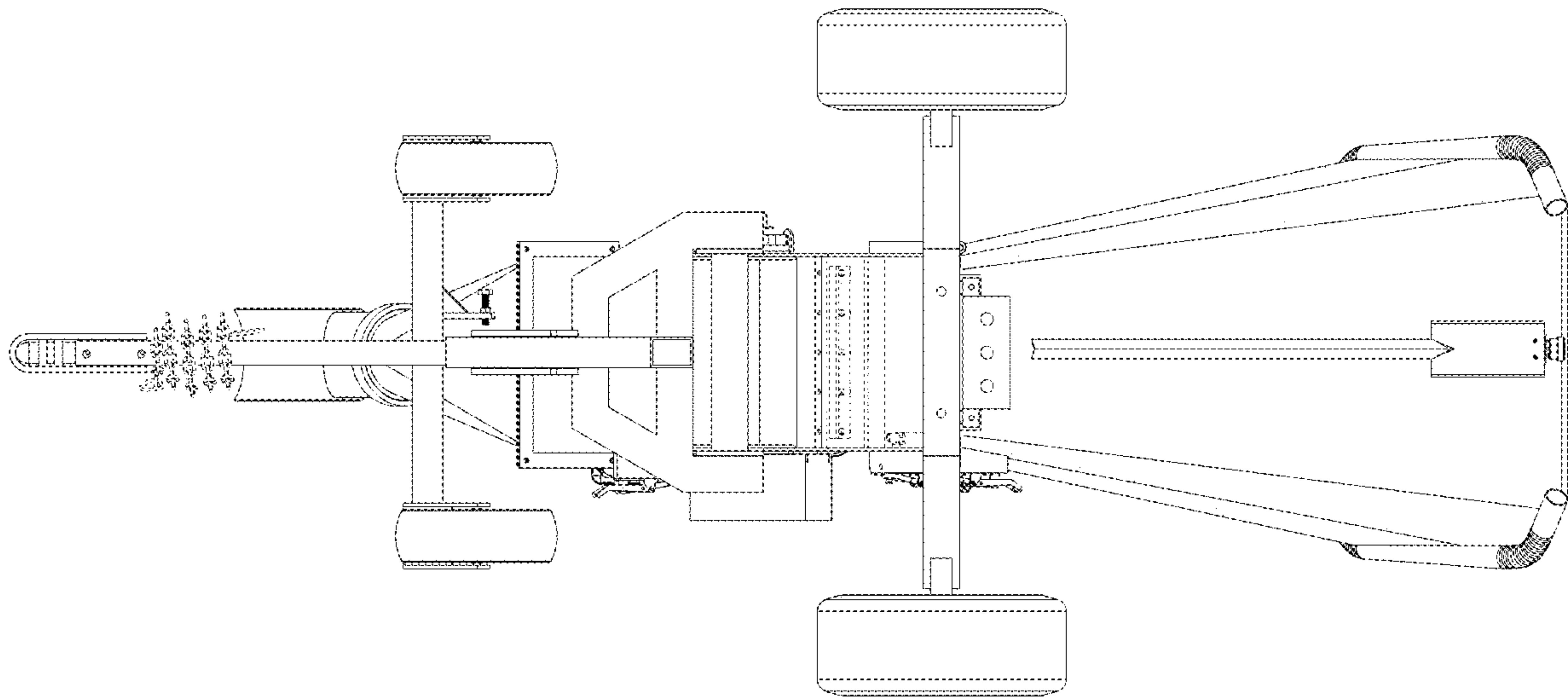


FIG. 8