

US00D967868S

(12) **United States Design Patent**
Jin

(10) **Patent No.:** **US D967,868 S**
(45) **Date of Patent:** **** Oct. 25, 2022**

(54) WOOD CHIPPER	5,305,959 A * 4/1994 Chesser B02C 18/2291 241/101.78
(71) Applicant: YONGKANG MAXPOWER TECHNOLOGY CO., LTD , Zhejiang (CN)	5,358,189 A * 10/1994 Vandermolen B02C 13/04 241/154
(72) Inventor: Xuancong Jin , Yongkang (CN)	5,390,865 A * 2/1995 Vandermolen B02C 18/143 241/101.76
(73) Assignee: Yongkang Maxpower Technology Co., Ltd , Yongkang (CN)	D356,801 S * 3/1995 Bold D15/10 5,669,563 A * 9/1997 Gearing A01G 3/002 241/101.78
(**) Term: 15 Years	D514,128 S * 1/2006 Lee D15/10 7,552,884 B2 * 6/2009 Gross A01G 3/002 241/261.1

(Continued)

(21) Appl. No.: **29/758,634**

OTHER PUBLICATIONS

(22) Filed: **Nov. 17, 2020**

Detail K2, Opc553 196-cc Kohler 3-in Steel Gas Wood Chipper, (site visited Feb. 17, 2022), Lowes.com website, URL:<<https://www.lowes.com/pd/Detail-K2-3-in-6-5-HP-Gas-Powered-Kohler-Engine-Direct-Drive-Certified-Commercial-Chipper-Shredder-with-Trailer-Tow-Hitch/5000197215>> (Year: 2022).*

(30) **Foreign Application Priority Data**

Nov. 2, 2020 (CN) 202030657760.6

(51) **LOC (13) Cl.** **15-02**

(52) **U.S. Cl.**
USPC **D15/10**

(58) **Field of Classification Search**
USPC D15/10, 19, 26, 27
CPC B02C 18/06; B02C 18/18; B02C 18/22;
B02C 18/2291; B02C 13/20; B02C 19/00;
B66D 1/60; A01D 34/005; A01D 34/69;
A01D 42/005; B27L 11/00; B27L 11/02;
B27L 11/08; B27L 11/005; A01G 3/00;
A01G 3/02

See application file for complete search history.

Primary Examiner — Calvin E Vansant
Assistant Examiner — Mark T. Philipps
(74) *Attorney, Agent, or Firm* — Bay State IP, LLC

(57) **CLAIM**

The ornamental design for a wood chipper, as shown and described.

DESCRIPTION

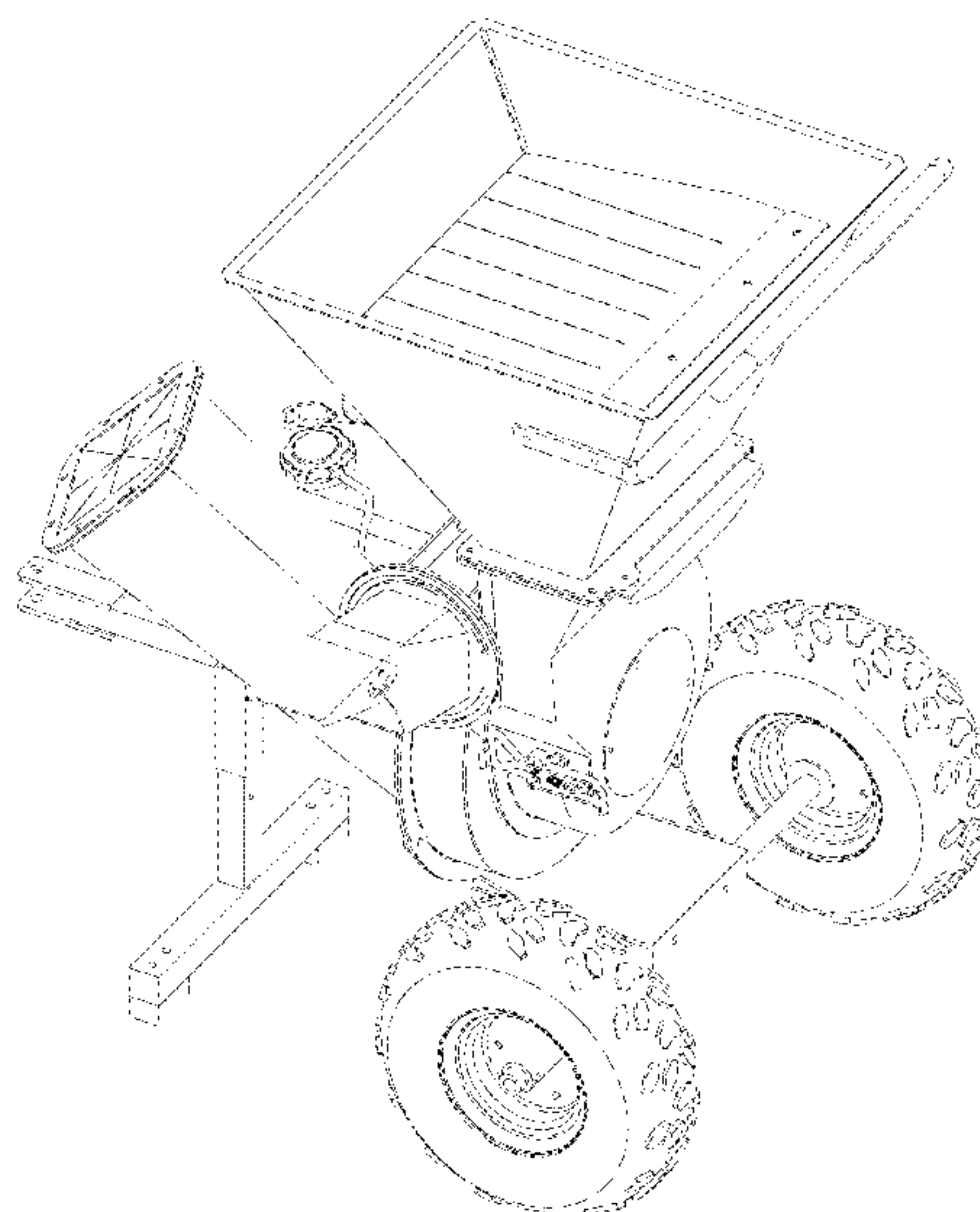
FIG. 1 is a front perspective view showing my new design;
FIG. 2 is a front view thereof;
FIG. 3 is a back view thereof;
FIG. 4 is a left side view thereof;
FIG. 5 is a right side view thereof;
FIG. 6 is a top view thereof; and,
FIG. 7 is a bottom view thereof.
The broken lines shown in the drawings depict portions of the wood chipper that form no part of the claim.

(56) **References Cited**

U.S. PATENT DOCUMENTS

3,726,488 A * 4/1973 Aasland B02C 18/06 56/16.8
D234,815 S * 4/1975 MacKissic D15/10
D328,603 S * 8/1992 Piltz D15/10
5,199,653 A * 4/1993 Durrant B02C 18/2291 241/73
D345,983 S * 4/1994 Bold D15/10

1 Claim, 7 Drawing Sheets



(56)

References Cited

U.S. PATENT DOCUMENTS

7,798,436 B2 * 9/2010 Cornelius A01G 3/002
241/298

7,878,434 B2 * 2/2011 Grant B02C 18/2225
241/101.76

9,144,804 B2 * 9/2015 Kessler B02C 18/18

D781,925 S * 3/2017 Kanchibhotla D15/10

D784,418 S * 4/2017 Jin D15/10

10,507,469 B2 * 12/2019 Schie B02C 18/2283

10,631,466 B2 * 4/2020 Kanchibhotla B27L 11/02

D899,467 S * 10/2020 Jin D15/10

D931,904 S * 9/2021 Wang D15/10

11,173,496 B2 * 11/2021 Bramley B27L 11/002

D939,588 S * 12/2021 Xu D15/10

D943,639 S * 2/2022 Scott D15/19

2005/0023388 A1 * 2/2005 Reinhold B02C 18/2216
241/101.78

2010/0126628 A1 * 5/2010 Leonard B02C 18/2225
144/246.1

2014/0231559 A1 * 8/2014 Schie B27L 11/002
241/37.5

2014/0263775 A1 * 9/2014 Satterwhite B66D 3/006
254/332

* cited by examiner

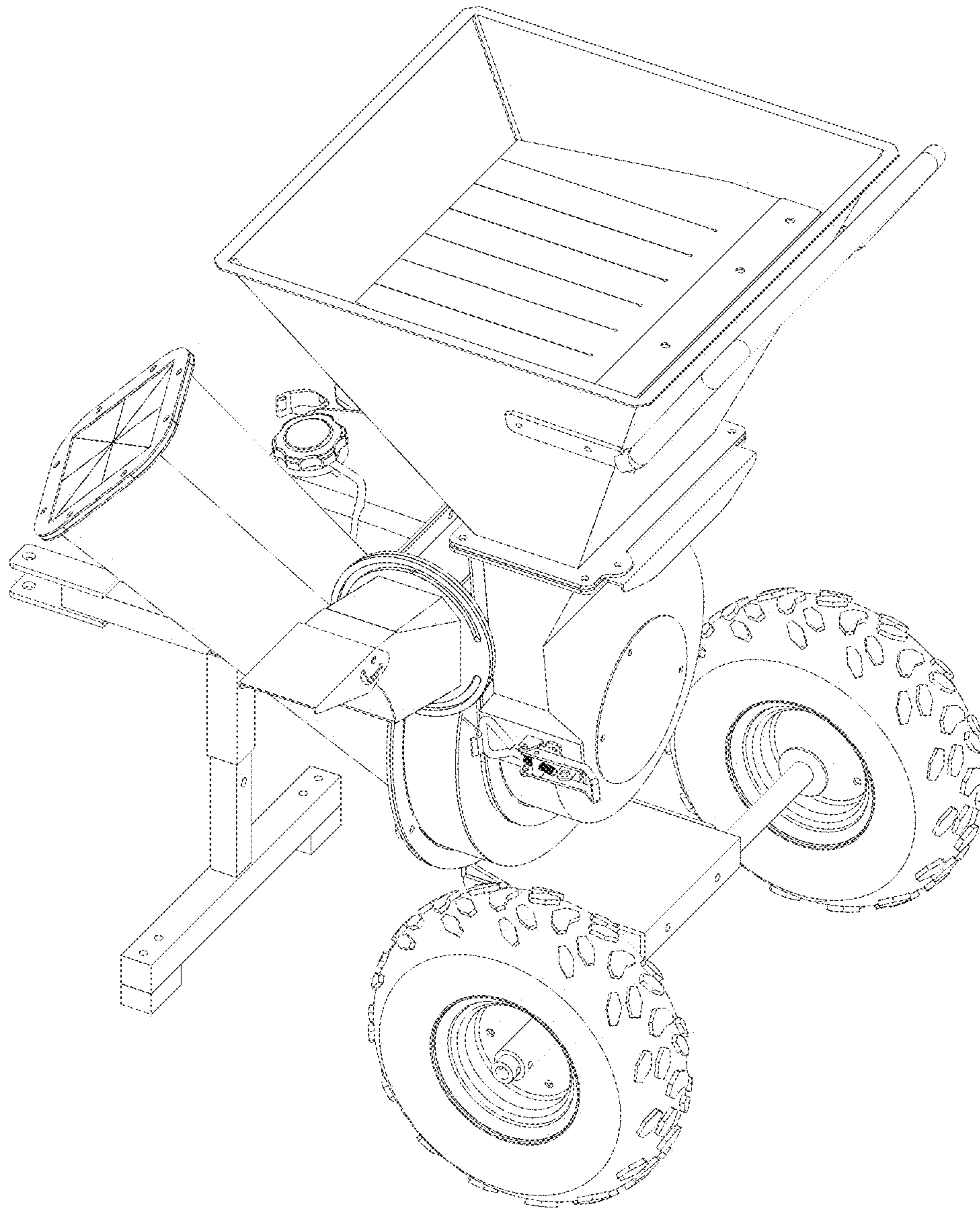


FIG.1

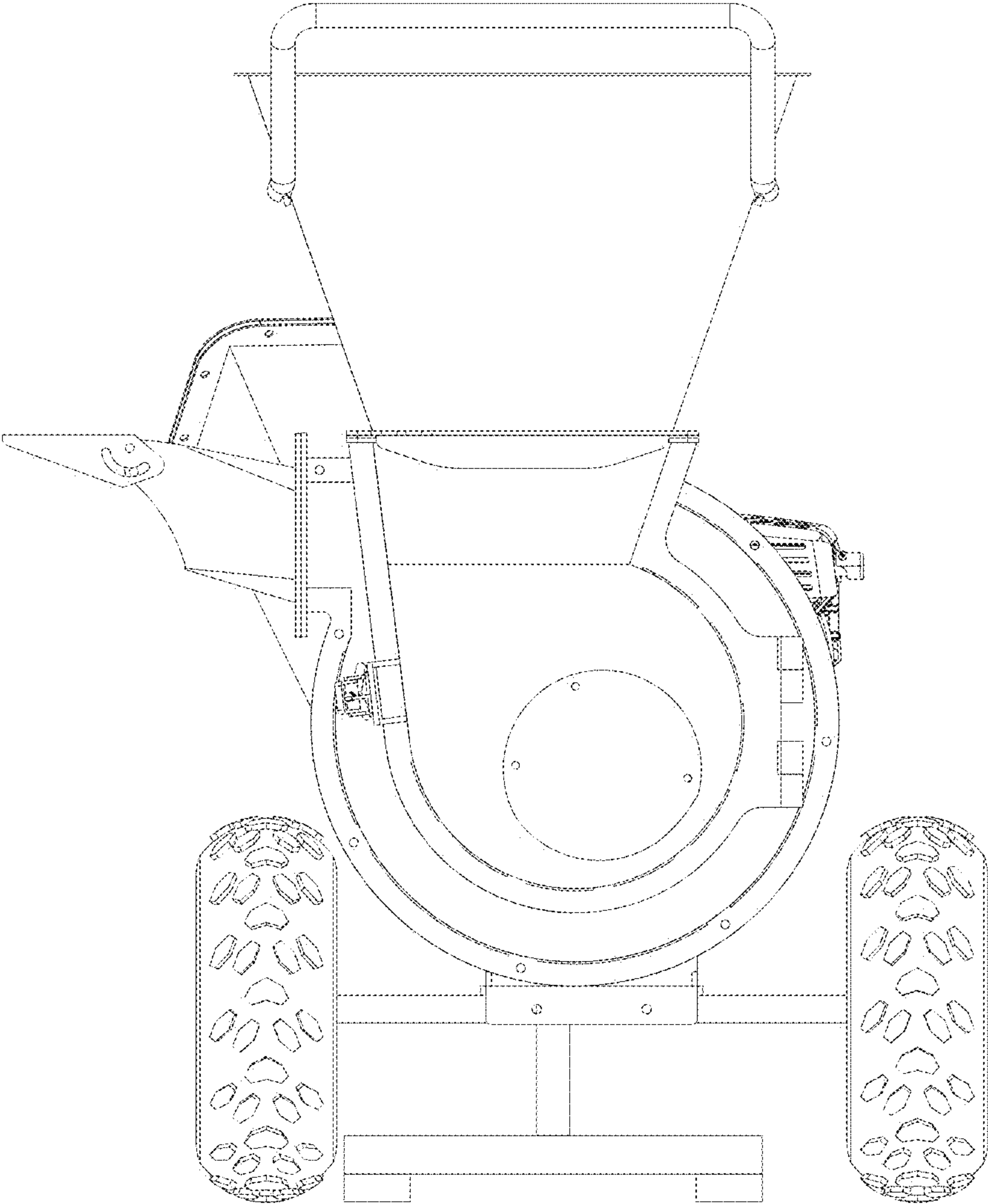


FIG.2

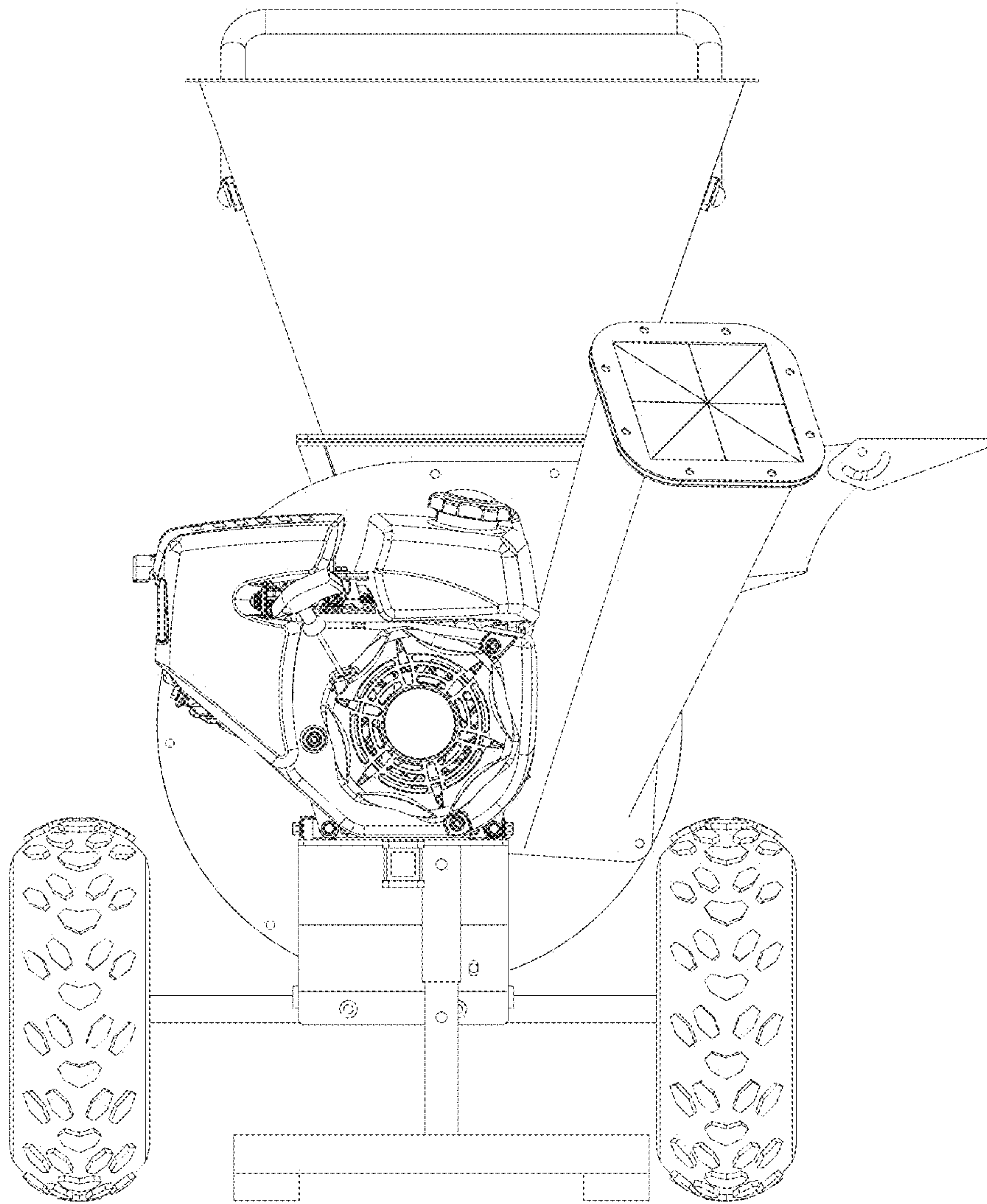


FIG.3

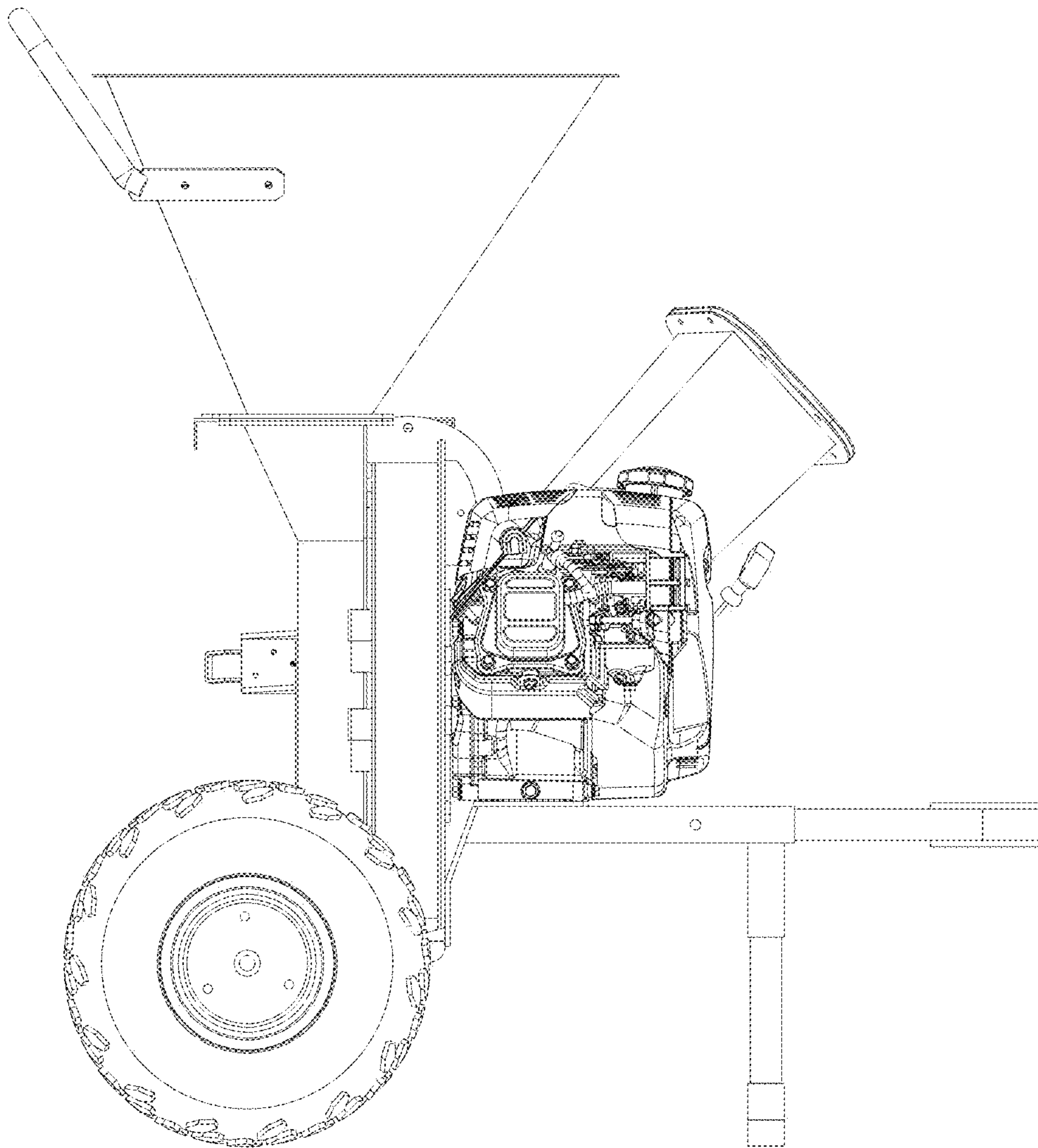


FIG.4

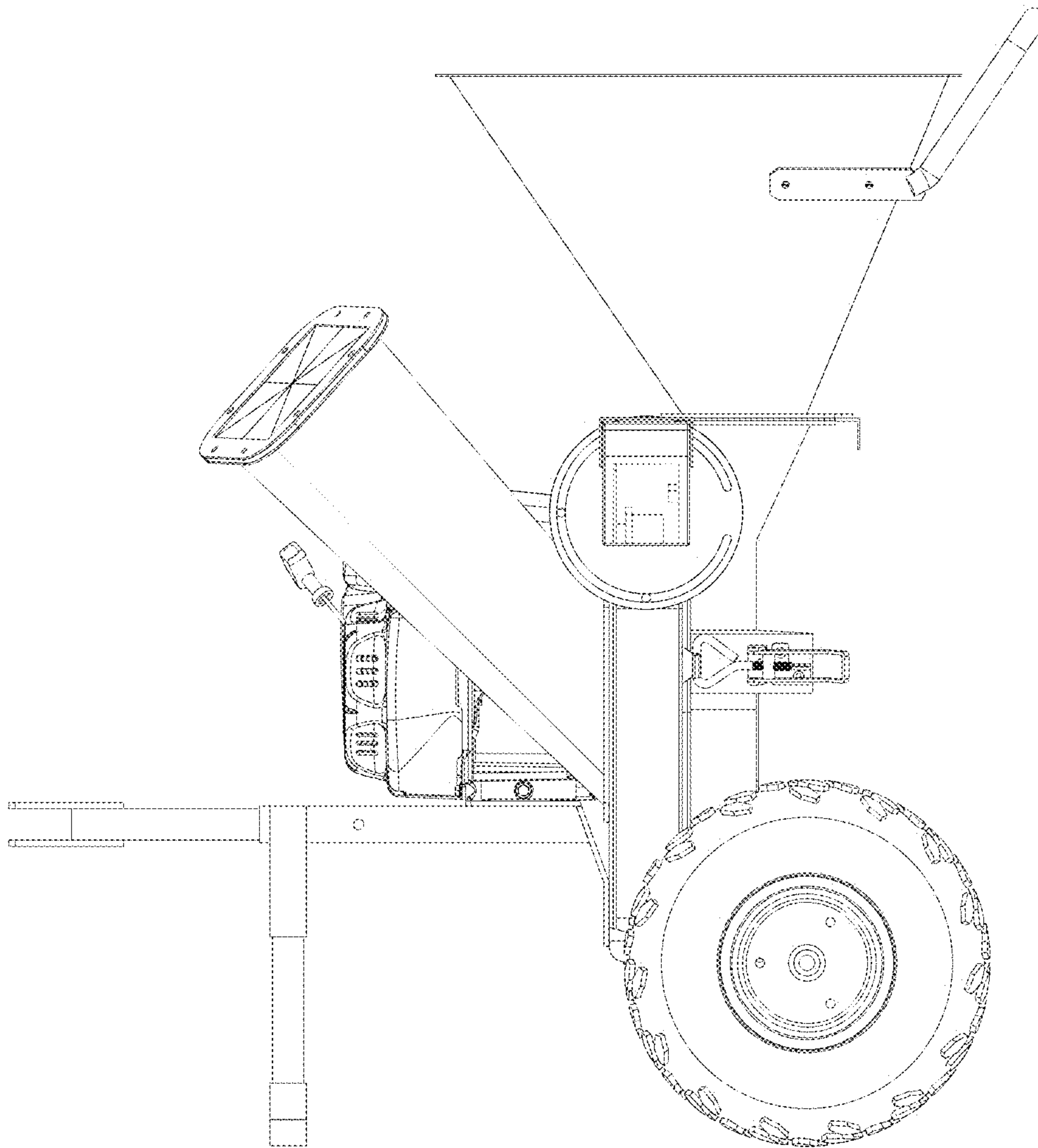


FIG.5

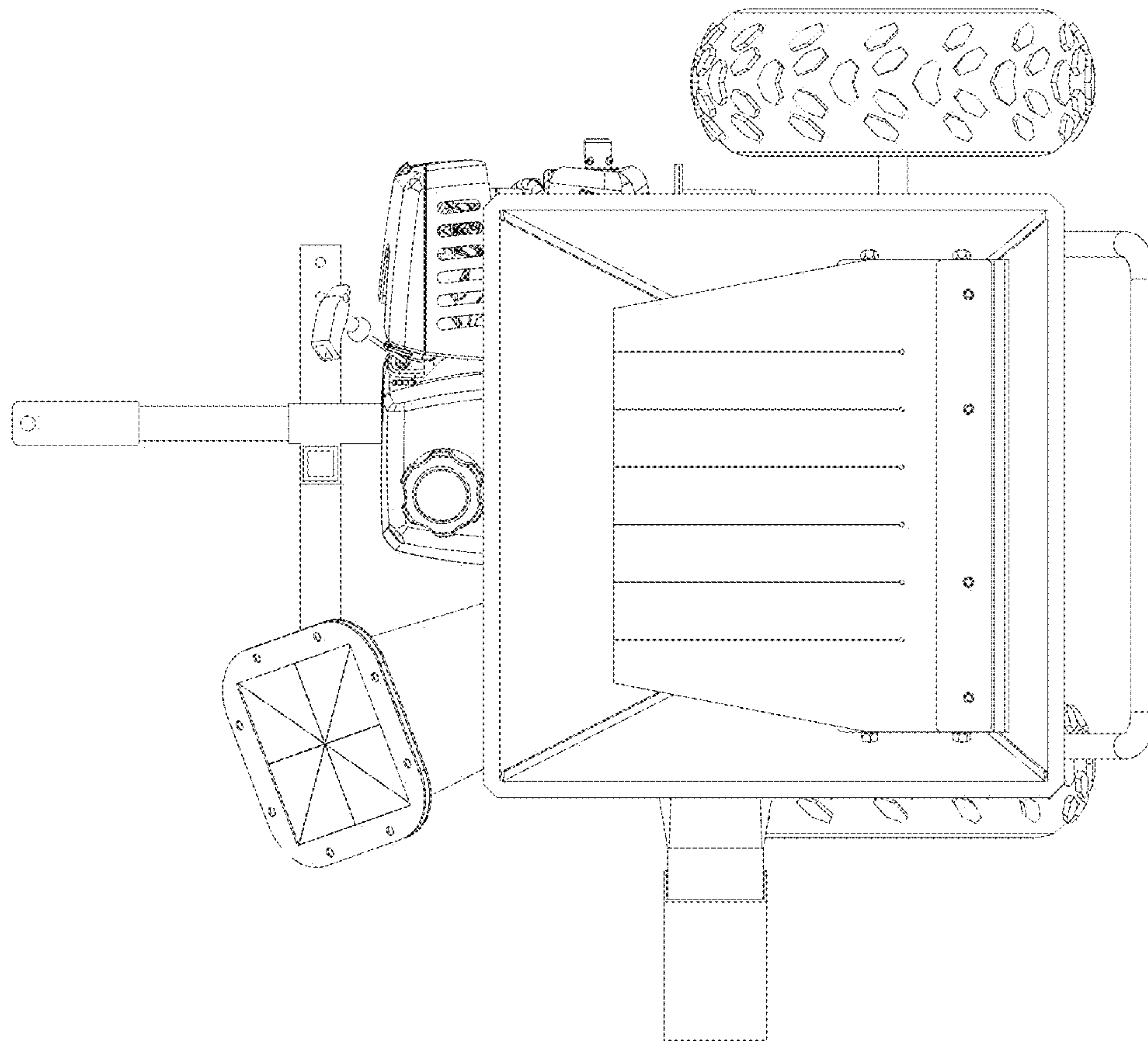


FIG.6

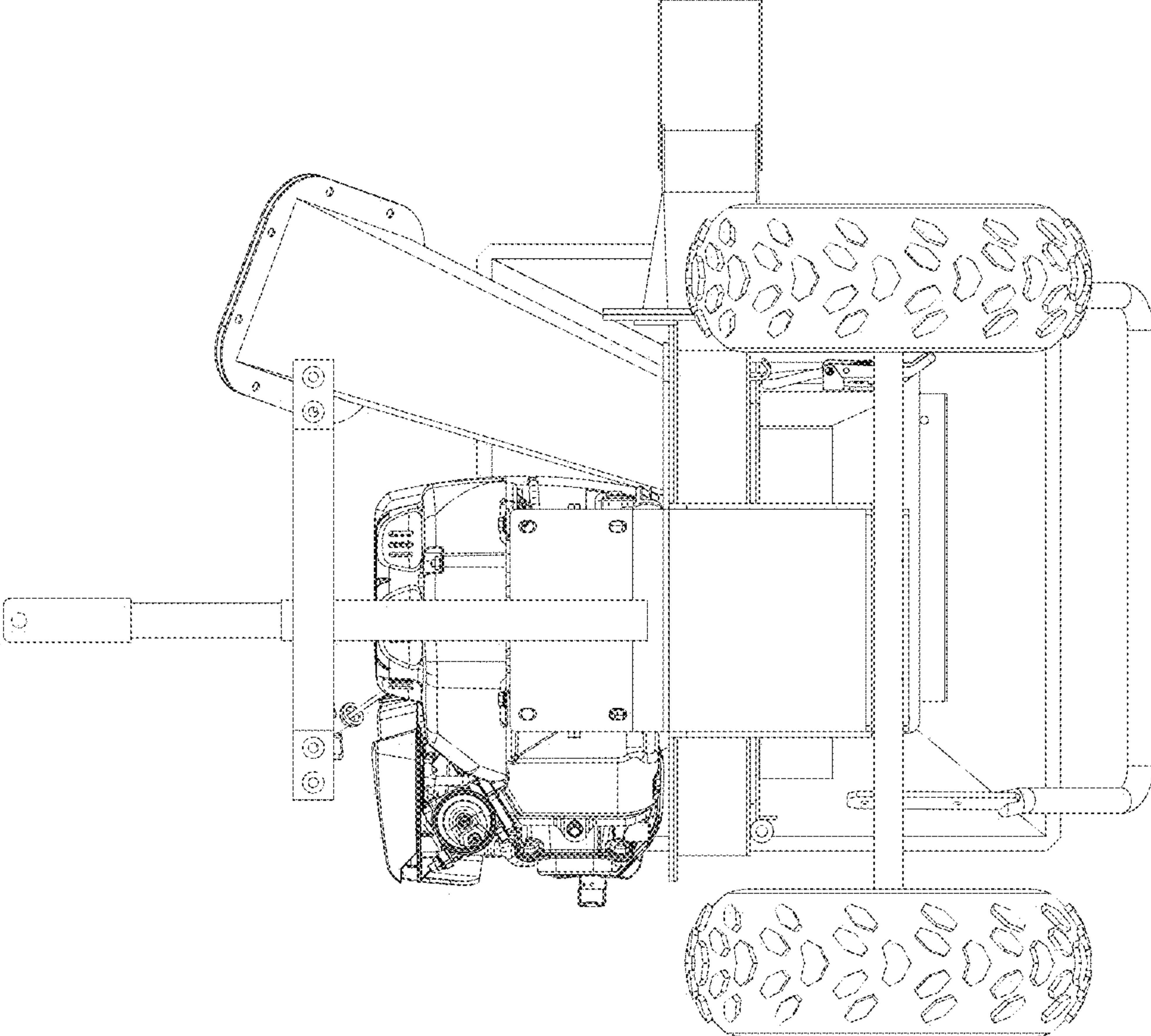


FIG.7