



US00D967866S

(12) **United States Design Patent**  
**Suthmann**

(10) **Patent No.:** **US D967,866 S**

(45) **Date of Patent:** **\*\* Oct. 25, 2022**

(54) **AIR COMPRESSOR**

(71) Applicant: **Kaeser Kompressoren SE**, Coburg (DE)

(72) Inventor: **Michael Suthmann**, Kranzberg (DE)

(73) Assignee: **KAESER KOMPRESSOREN SE**, Coburg (DE)

(\*\*) Term: **15 Years**

(21) Appl. No.: **29/824,797**

(22) Filed: **Jan. 27, 2022**

**Related U.S. Application Data**

(62) Division of application No. 29/722,213, filed on Jan. 28, 2020.

(51) **LOC (13) Cl.** ..... **15-02**

(52) **U.S. Cl.**  
USPC ..... **D15/7**

(58) **Field of Classification Search**

USPC ..... D15/1, 3, 6-9; D13/110, 122, 124, 159, D13/166; D12/101, 102, 106  
CPC . F04D 13/06; F04D 3/00; F04D 3/005; F04D 3/02; F04D 29/041; F04D 29/22; F04D 29/60; F04D 29/605; F04D 15/0088; F04D 15/0066; F04D 15/0245; F04B 17/03; F04B 17/046; F04B 17/048; F04B 35/04; F04B 43/04; F04B 43/043; F04B 2203/0208; F02M 2700/439; F04C 13/008; F04C 2210/1094; F04C 2210/128; F04C 2210/147; F04C 2210/208; F24F 2006/046

See application file for complete search history.

(56) **References Cited**

**U.S. PATENT DOCUMENTS**

D249,265 S \* 9/1978 Nanjo ..... D15/9  
5,518,262 A \* 5/1996 Hutchinson ..... B60D 1/167  
280/475

D387,778 S \* 12/1997 Goodman ..... D15/9  
6,089,650 A \* 7/2000 Edgeller ..... B62D 25/105  
180/69.22

D434,048 S \* 11/2000 Orschell ..... D15/9  
D445,115 S \* 7/2001 Hutchinson ..... D15/9  
D455,442 S \* 4/2002 Call ..... D15/9

(Continued)

**OTHER PUBLICATIONS**

Kaeser Kompressoren, M57 Portable Compressor, (site visited Sep. 30, 2021), kaeser.com website, URL:<<https://www.kaeser.com/int-en/products/portable-compressors/maximum-versatility/#>> (Year: 2021).\*

(Continued)

*Primary Examiner* — Calvin E Vansant

*Assistant Examiner* — Mark T. Philipps

(74) *Attorney, Agent, or Firm* — Panitch Schwarze  
Belisario & Nadel LLP

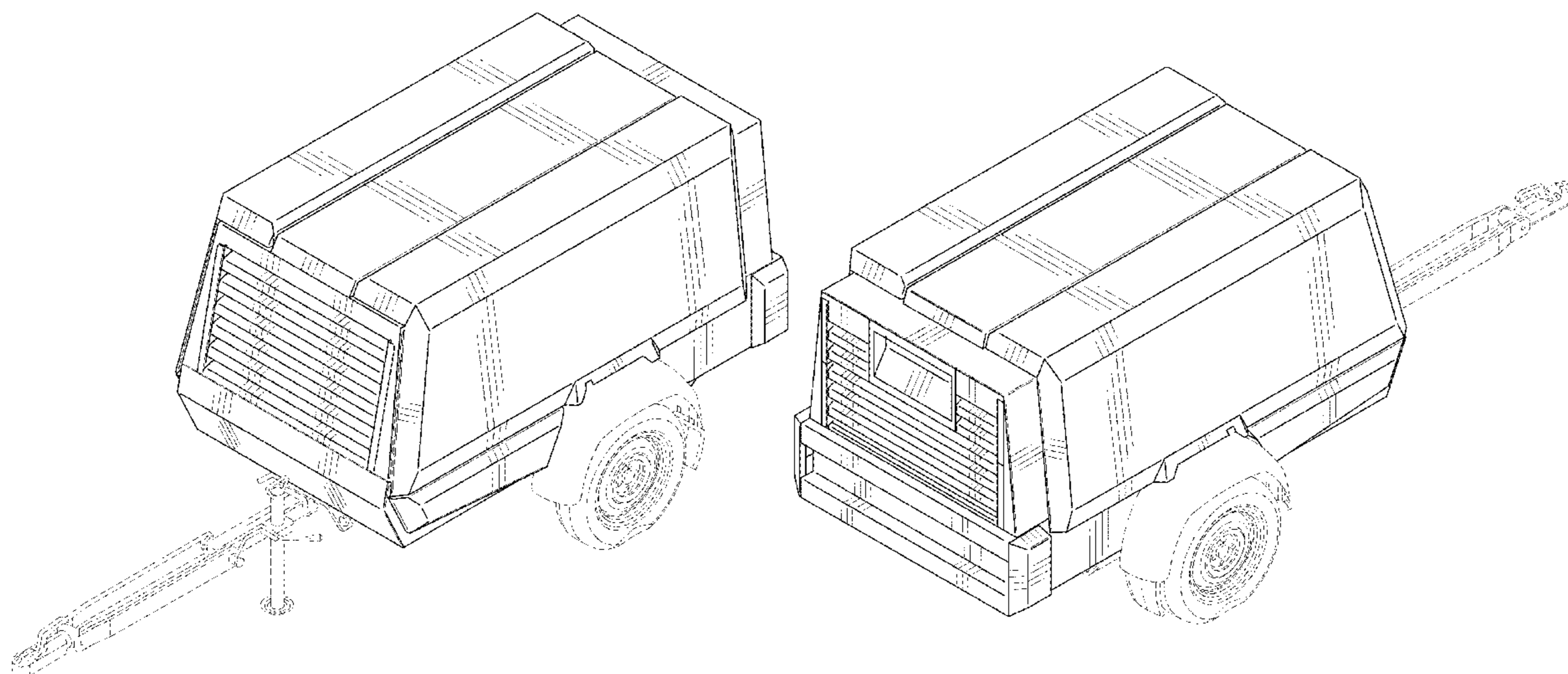
(57) **CLAIM**

The ornamental design for an air compressor, as shown and described.

**DESCRIPTION**

FIG. 1 is a top front perspective view of an air compressor in accordance with an embodiment of my new design; FIG. 2 is a right-side elevation view of FIG. 1; FIG. 3 is a left-side elevation view of FIG. 1; FIG. 4 is a front elevation view of FIG. 1; FIG. 5 is a rear elevation view of FIG. 1; FIG. 6 is a top plan view of FIG. 1; FIG. 7 is a bottom plan view of FIG. 1; FIG. 8 is a right-side rear perspective view of FIG. 1; and, FIG. 9 is a left-side front perspective view of FIG. 1. The dash-dash broken lines depict portions of the air compressor that form no part of the claimed design.

**1 Claim, 9 Drawing Sheets**



(56)

**References Cited**

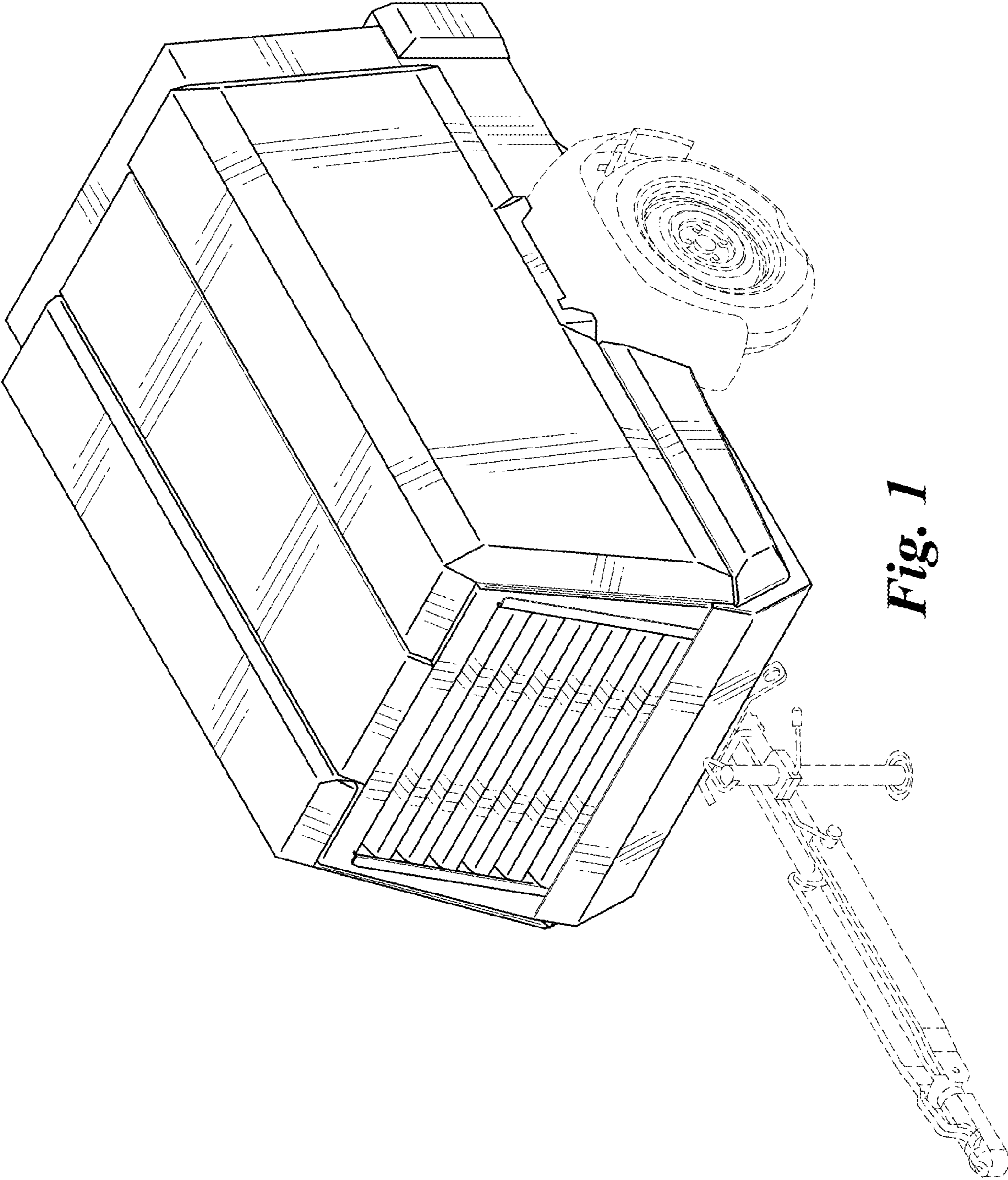
U.S. PATENT DOCUMENTS

D516,584 S \* 3/2006 Flatt ..... D15/9  
D522,534 S \* 6/2006 Kawasaki ..... D15/7  
D565,602 S \* 4/2008 Van Bosstraeten ..... D15/9  
D657,393 S \* 4/2012 Pauwels ..... D15/9  
D658,209 S \* 4/2012 Pauwels ..... D15/9  
D658,210 S \* 4/2012 Pauwels ..... D15/9  
8,235,441 B2 \* 8/2012 Pirwass ..... F04B 53/002  
296/24.3  
D797,811 S \* 9/2017 Van Bosstraeten ..... D15/9  
D797,812 S \* 9/2017 Van Bosstraeten ..... D15/9

OTHER PUBLICATIONS

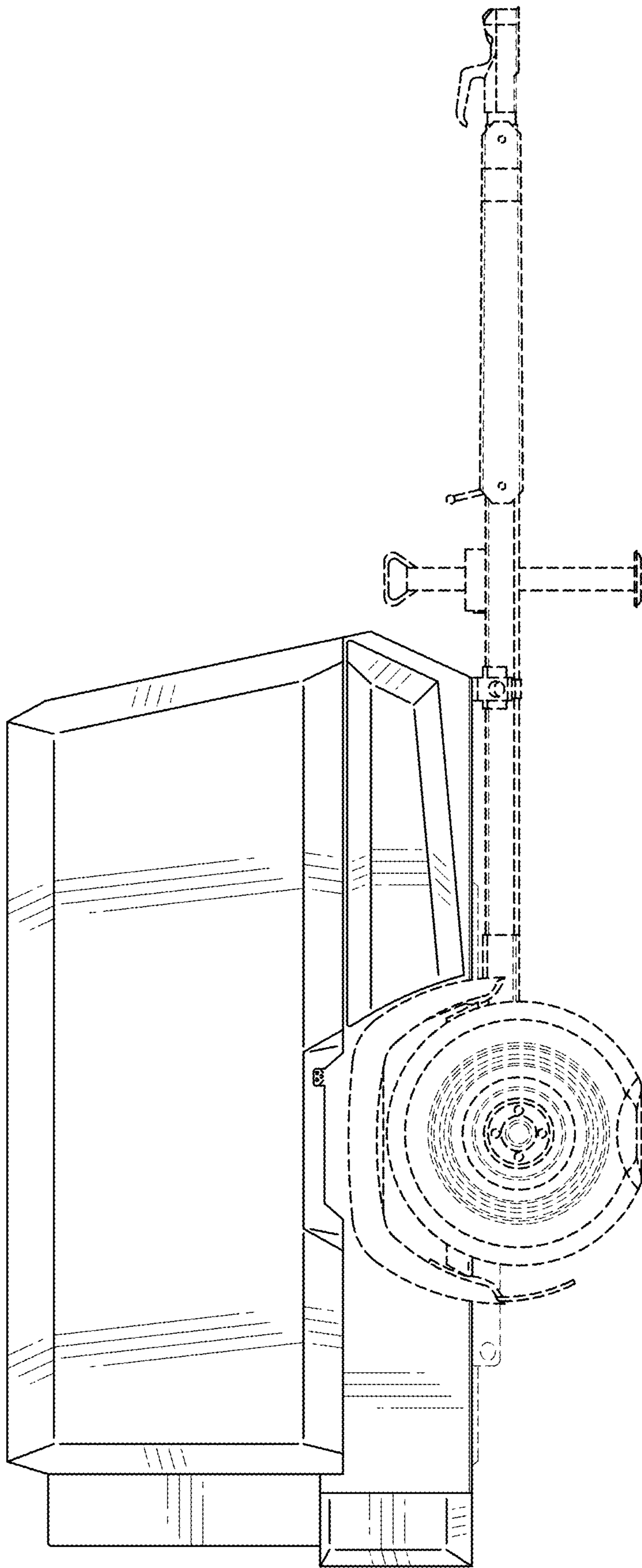
Kaeser Kompressoren, M57 Portable Compressor, (site visited Sep. 30, 2021), kaeser.com website, URL: <https://www.kaeser.com/int-en/products/portable-compressors/maximum-versatility/#>, 2021.

\* cited by examiner

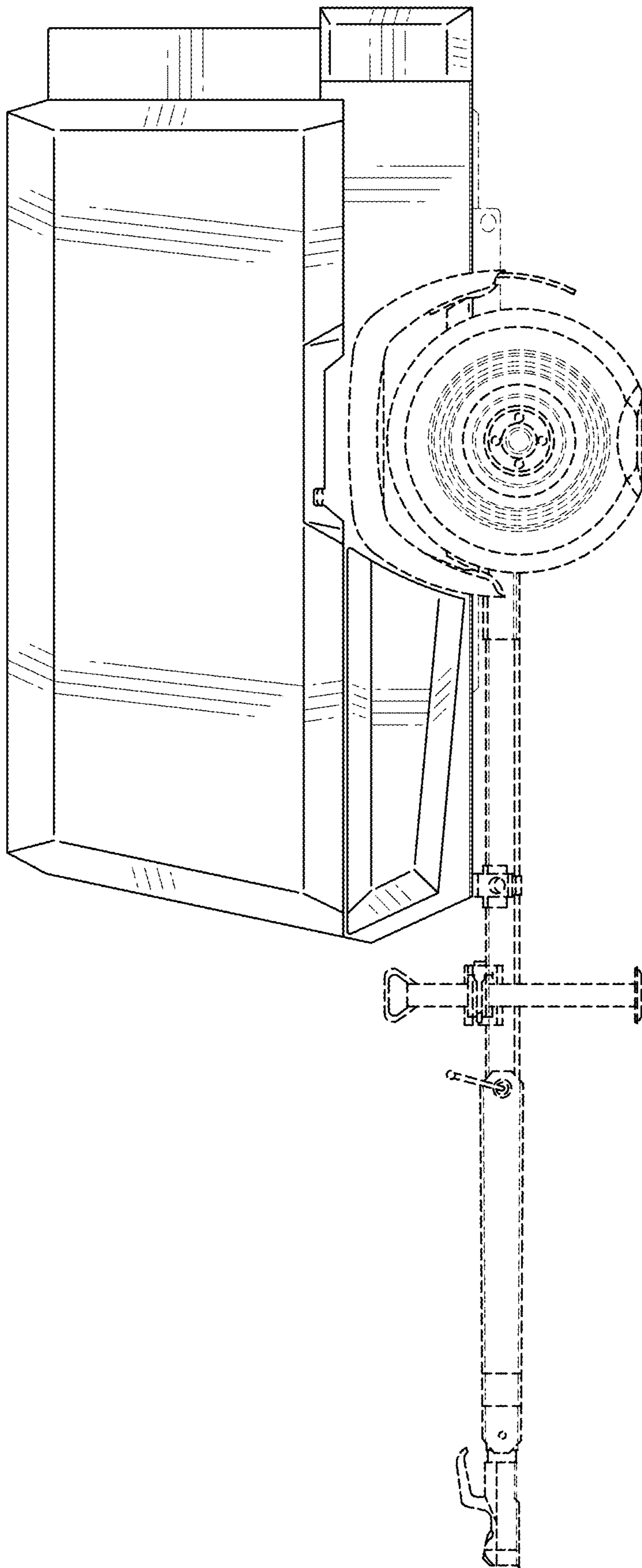


**Fig. 1**

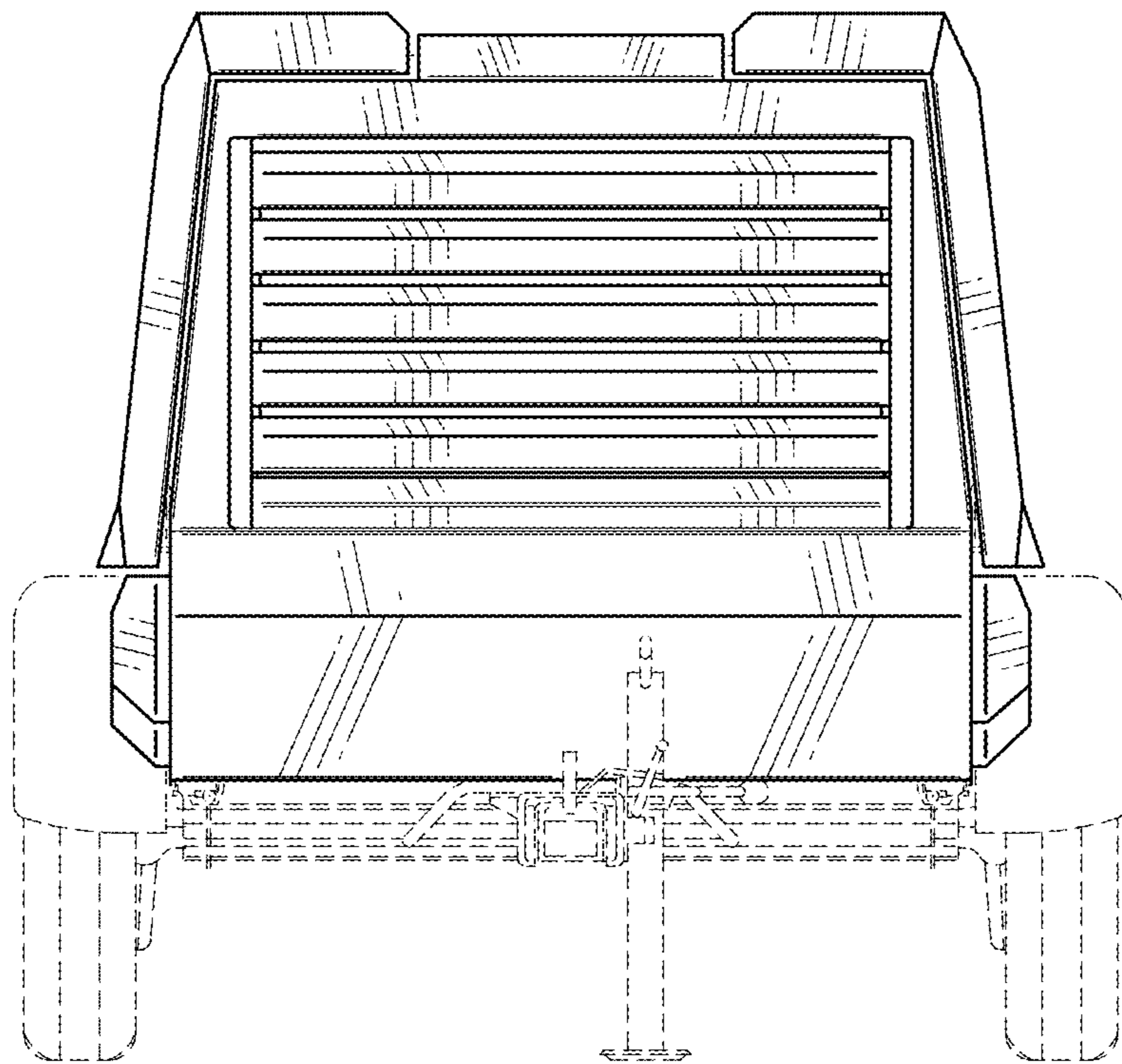




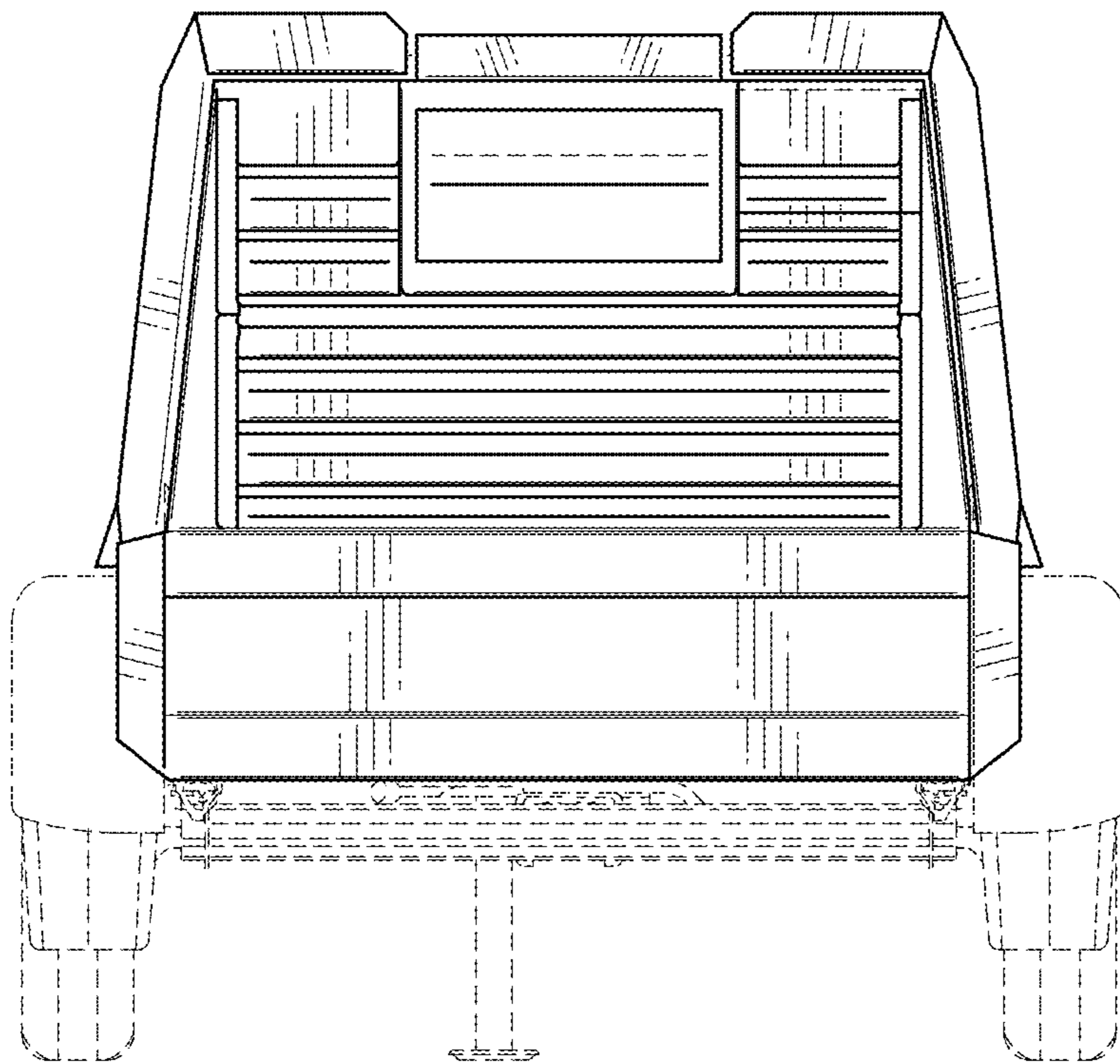
*Fig. 2*



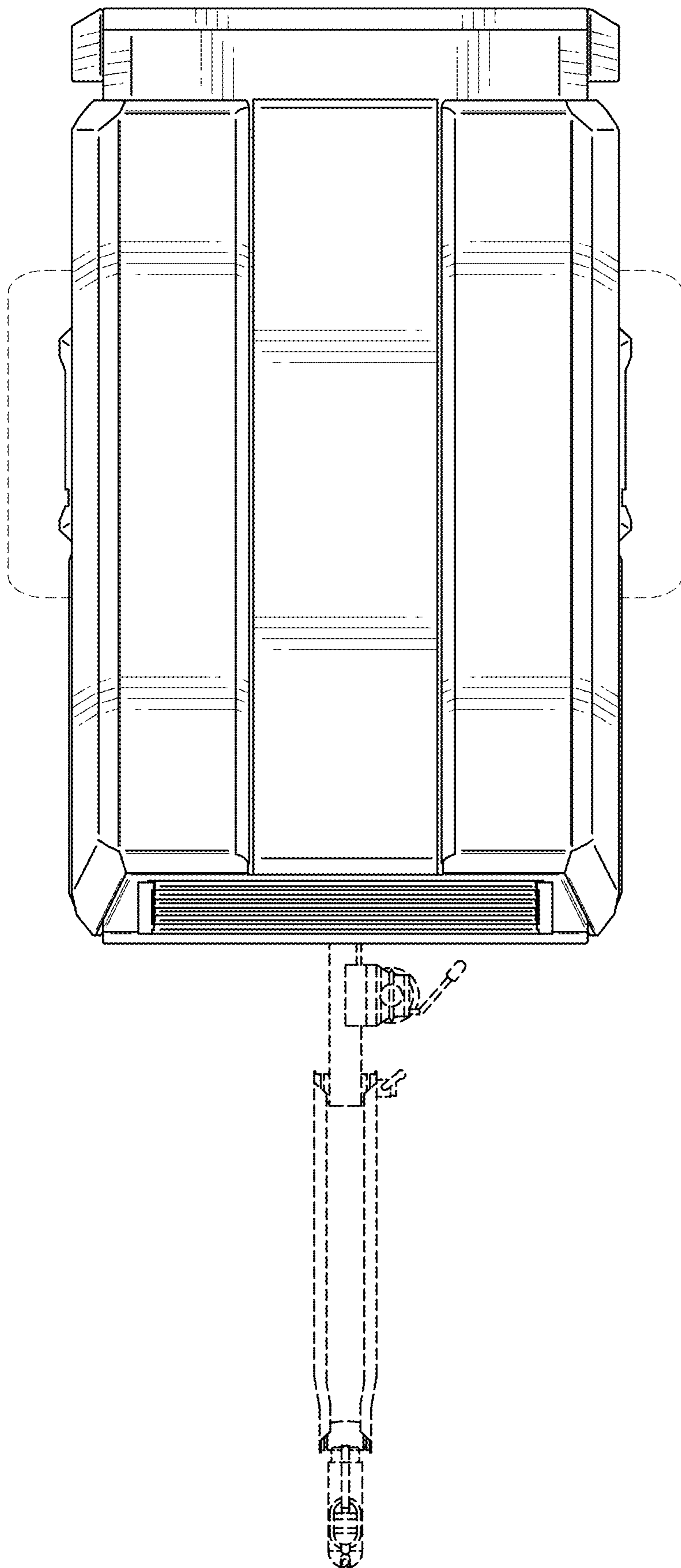
*Fig. 3*



*Fig. 4*

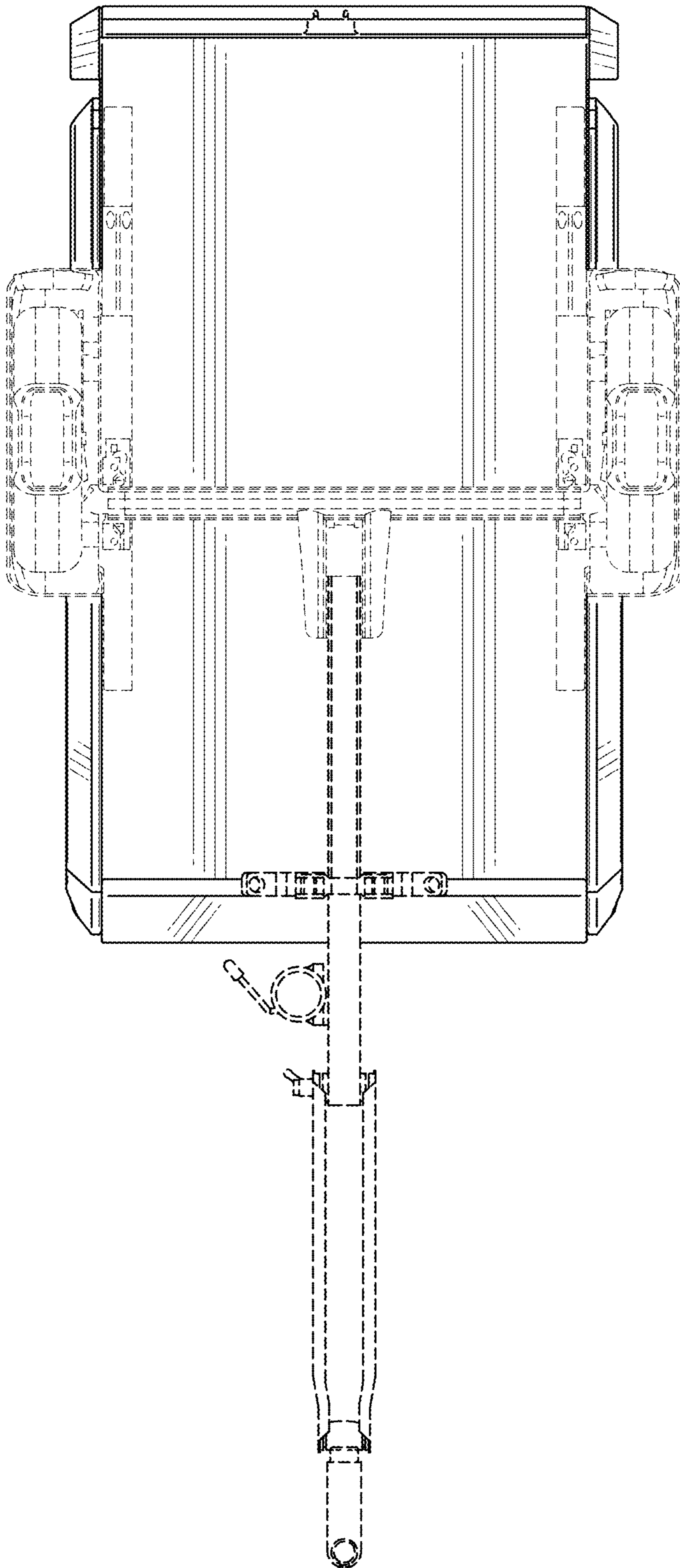


*Fig. 5*

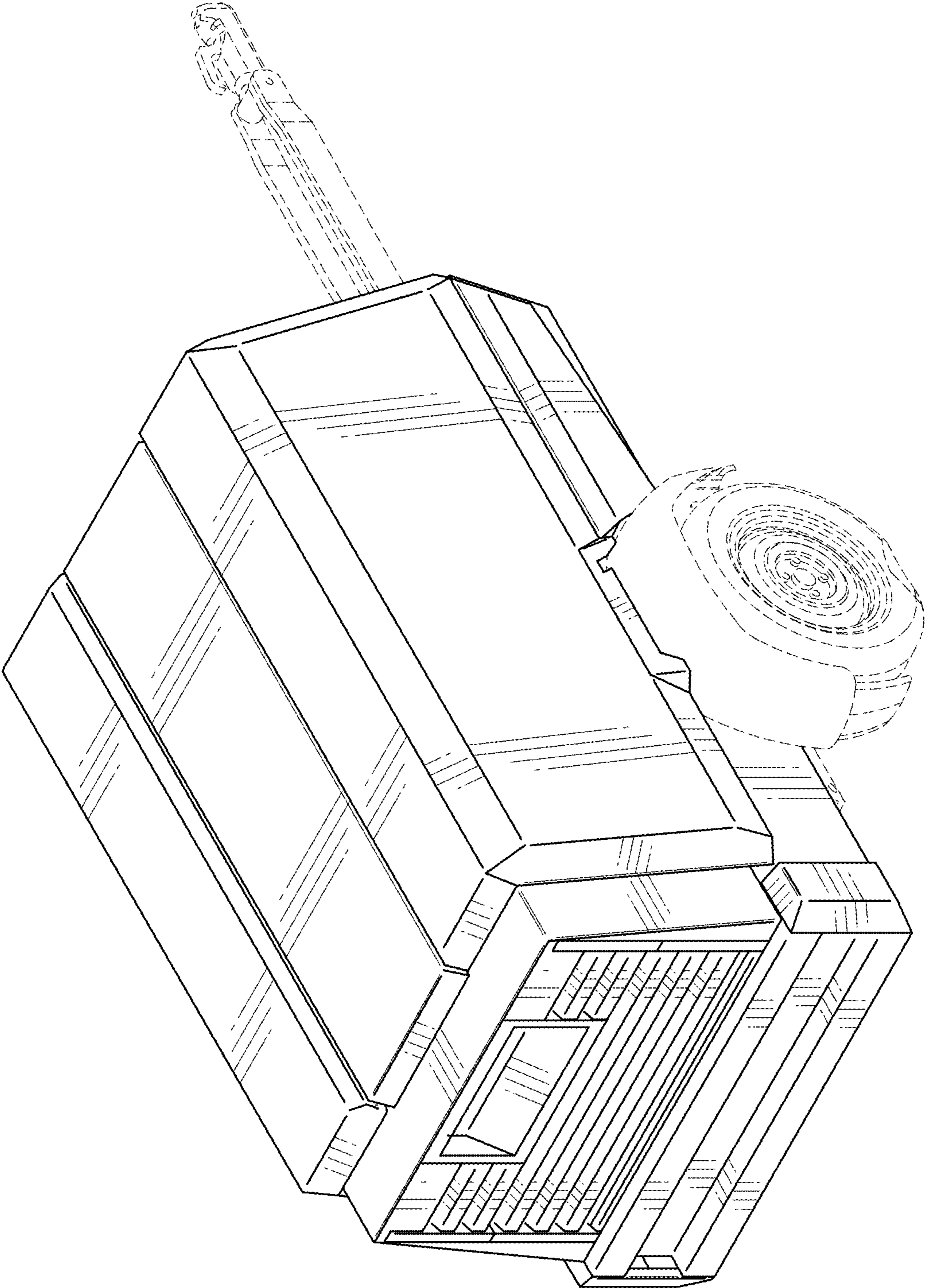


*Fig. 6*

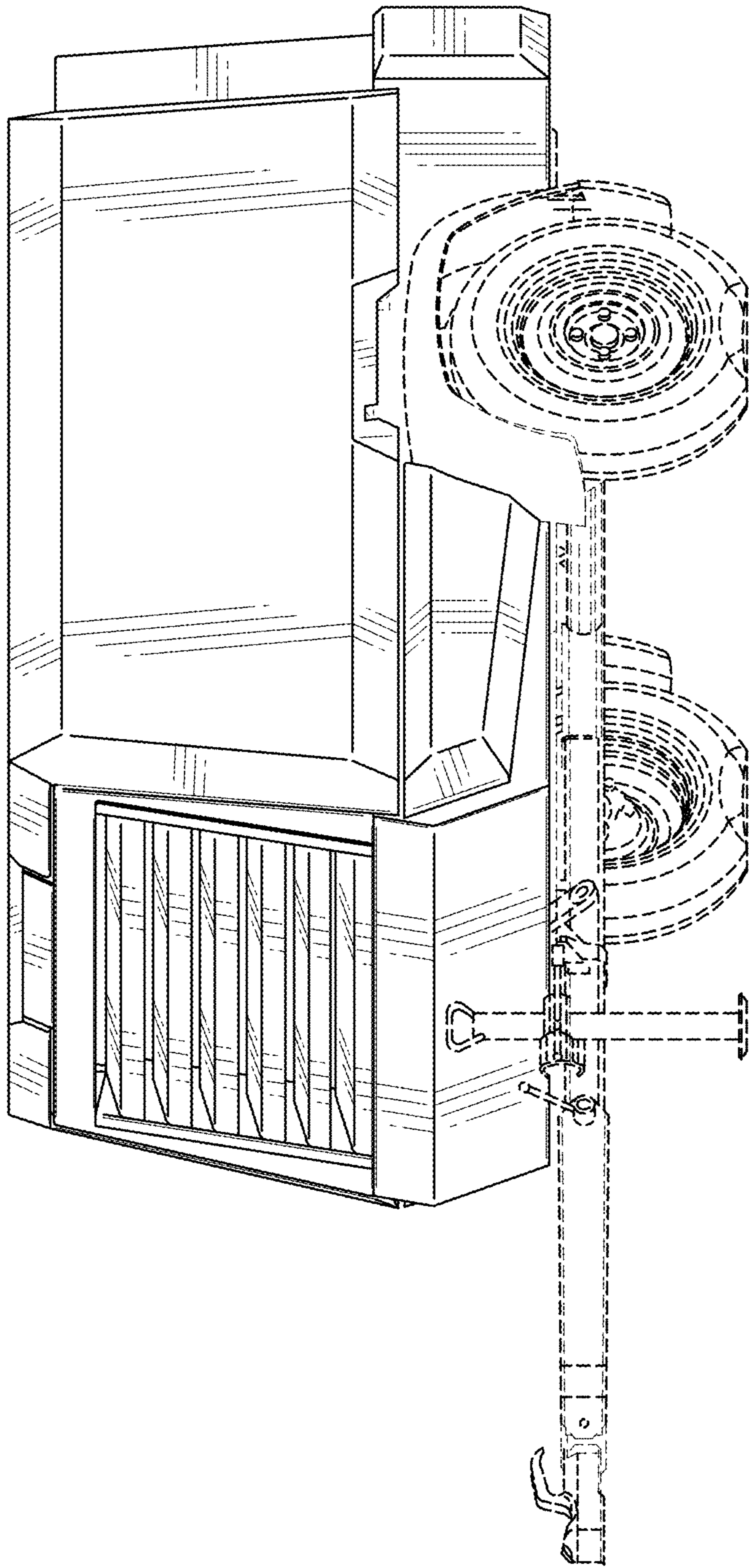




*Fig. 7*



*Fig. 8*



*Fig. 9*