



US00D967865S

(12) **United States Design Patent** (10) **Patent No.:** **US D967,865 S**
Suthmann (45) **Date of Patent:** **** Oct. 25, 2022**

(54) **AIR COMPRESSOR**
(71) Applicant: **Kaeser Kompressoren SE**, Coburg (DE)
(72) Inventor: **Michael Suthmann**, Kranzberg (DE)
(73) Assignee: **KAESER KOMPRESSOREN SE**, Coburg (DE)
(**) Term: **15 Years**

D445,115 S * 7/2001 Hutchinson D15/9
D455,442 S * 4/2002 Call D15/9
D516,584 S * 3/2006 Flatt D15/9
D522,534 S * 6/2006 Kawasaki D15/7
D565,602 S * 4/2008 Van Bosstraeten D15/9
D657,393 S * 4/2012 Pauwels D15/9
D658,209 S * 4/2012 Pauwels D15/9
D658,210 S * 4/2012 Pauwels D15/9
8,235,441 B2 * 8/2012 Pirwass F04B 53/002
296/24.3
D797,811 S * 9/2017 Van Bosstraeten D15/9
D797,812 S * 9/2017 Van Bosstraeten D15/9

(21) Appl. No.: **29/722,213**
(22) Filed: **Jan. 28, 2020**
(51) **LOC (13) Cl.** **15-02**
(52) **U.S. Cl.**
USPC **D15/7**
(58) **Field of Classification Search**
USPC D15/1, 3, 6-9; D13/110, 122, 124, 159,
D13/166; D12/101, 102, 106
CPC . F04D 13/06; F04D 3/00; F04D 3/005; F04D
3/02; F04D 29/041; F04D 29/22; F04D
29/60; F04D 29/605; F04D 15/0088;
F04D 15/0066; F04D 15/0245; F04B
17/03; F04B 17/046; F04B 17/048; F04B
35/04; F04B 43/04; F04B 43/043; F04B
2203/0208; F02M 2700/439; F04C
13/008; F04C 2210/1094; F04C
2210/128; F04C 2210/147; F04C
2210/208; F24F 2006/046
See application file for complete search history.

(56) **References Cited**
U.S. PATENT DOCUMENTS
D249,265 S * 9/1978 Nanjo D15/9
5,518,262 A * 5/1996 Hutchinson B60D 1/167
280/475
D387,778 S * 12/1997 Goodman D15/9
6,089,650 A * 7/2000 Edgeller B62D 25/105
180/69.22
D434,048 S * 11/2000 Orschell D15/9

OTHER PUBLICATIONS

Kaeser Kompressoren, M57 Portable Compressor, (site visited Sep. 30, 2021), kaeser.com website, URL:<<https://www.kaeser.com/int-en/products/portable-compressors/maximum-versatility/#>> (Year: 2021).*

* cited by examiner

Primary Examiner — Calvin E Vansant
Assistant Examiner — Mark T. Philipps
(74) *Attorney, Agent, or Firm* — Panitch Schwarze
Belisario & Nadel LLP

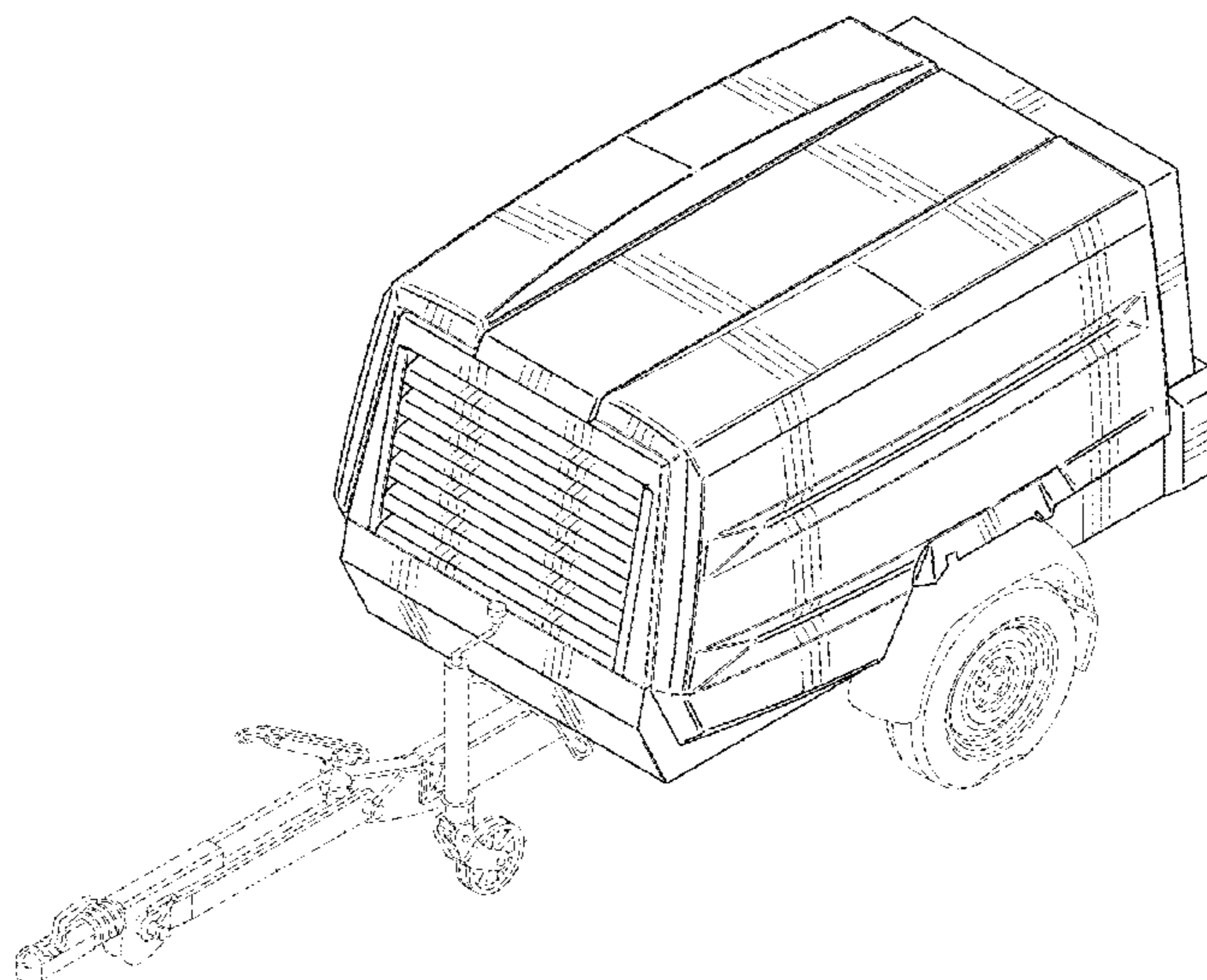
(57) **CLAIM**

The ornamental design for an air compressor, as shown and described.

DESCRIPTION

FIG. 1 is a top front perspective view of an air compressor in accordance with an embodiment of my new design; FIG. 2 is a right-side elevation view of FIG. 1; FIG. 3 is a left-side elevation view of FIG. 1; FIG. 4 is a front elevation view of FIG. 1; FIG. 5 is a rear elevation view of FIG. 1; FIG. 6 is a top plan view of FIG. 1; and, FIG. 7 is a bottom plan view of FIG. 1. The dash-dash broken lines depict portions of the air compressor that form no part of the claimed design.

1 Claim, 7 Drawing Sheets



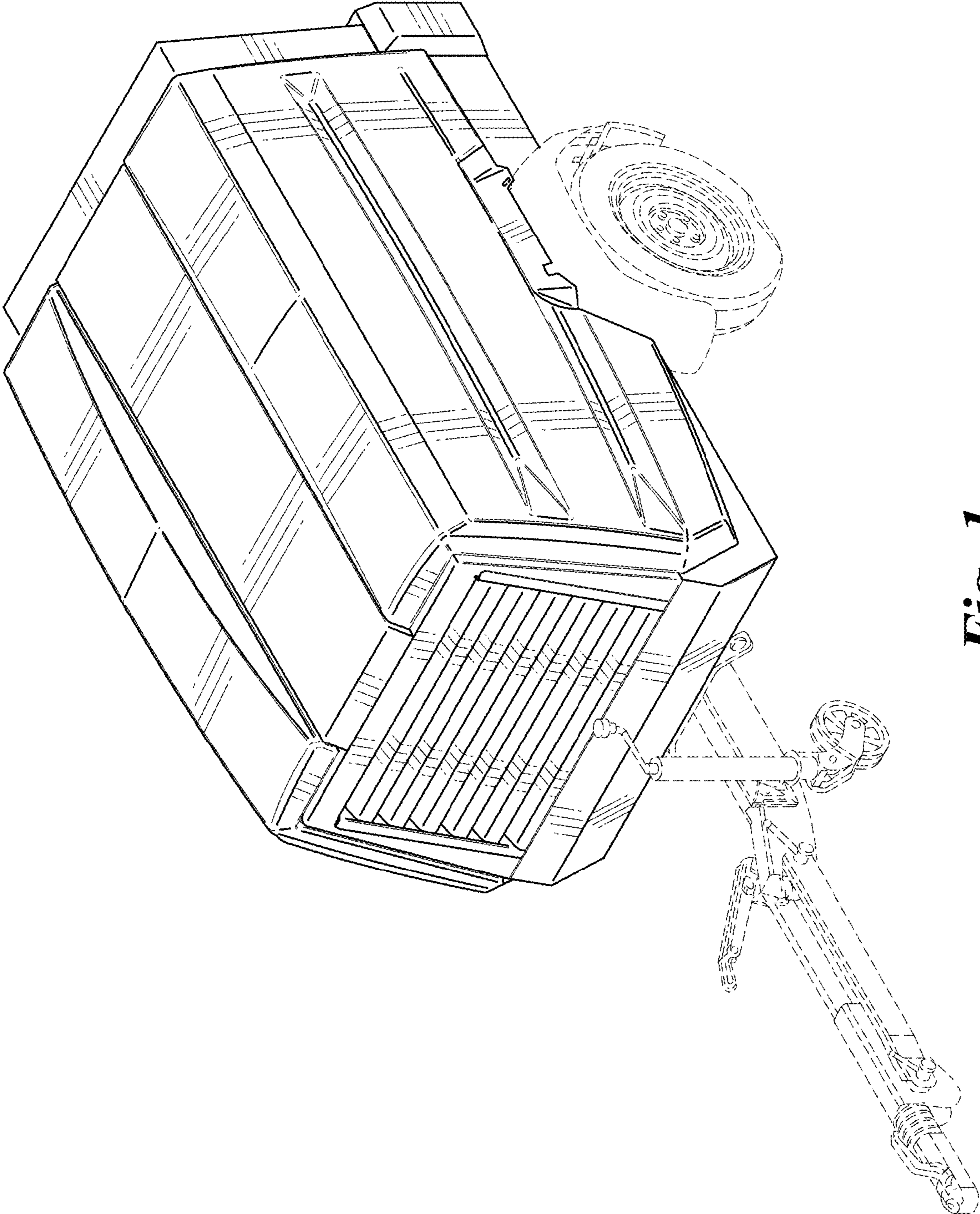


Fig. 1

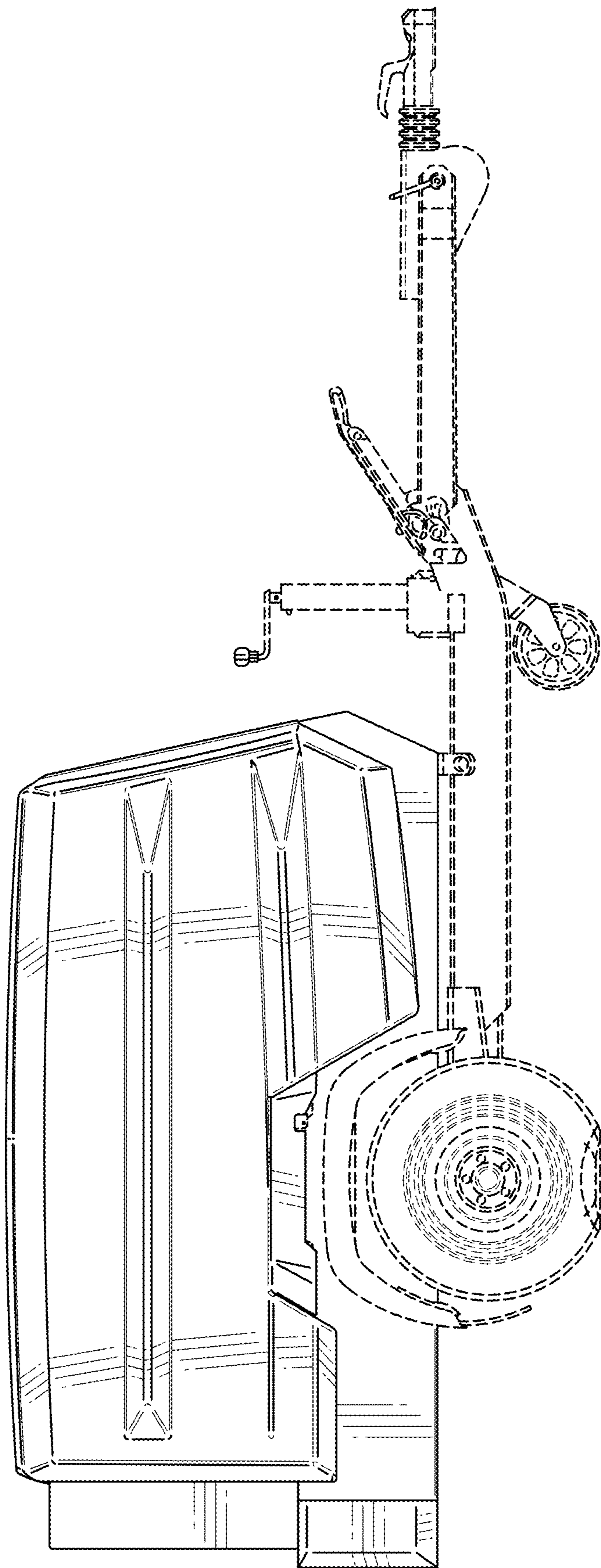


Fig. 2

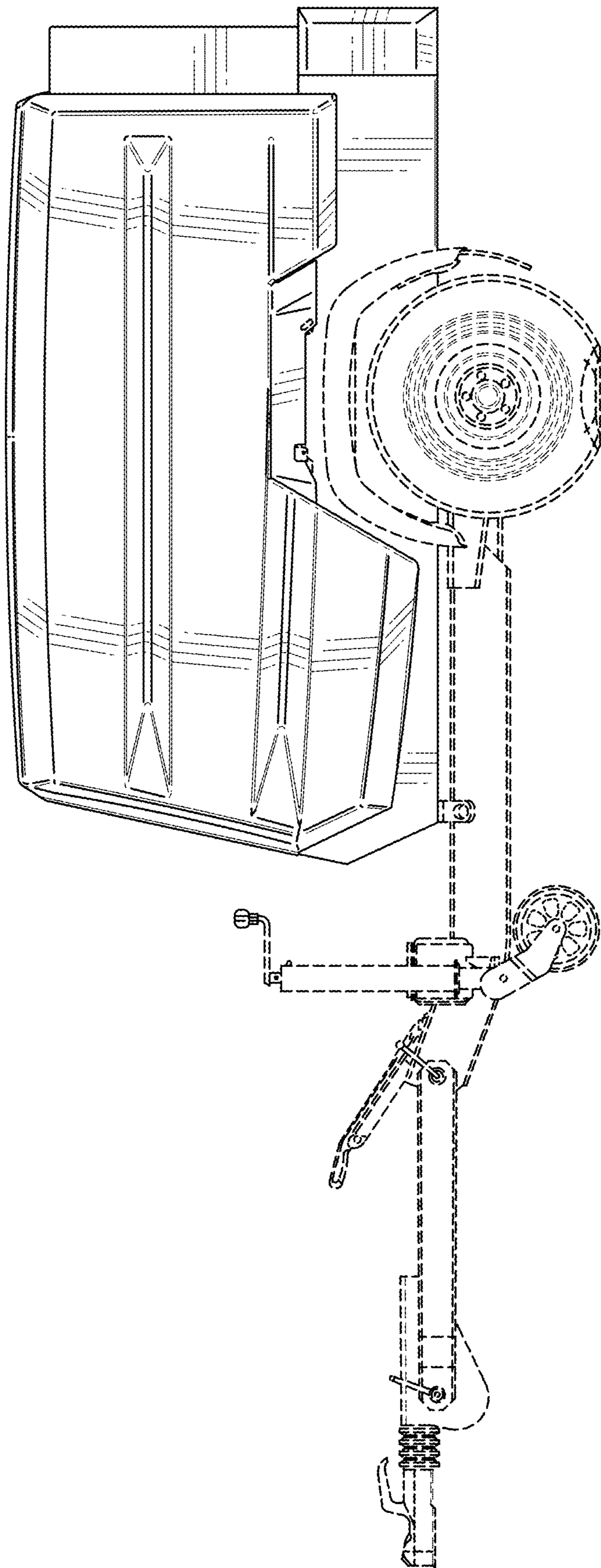


Fig. 3

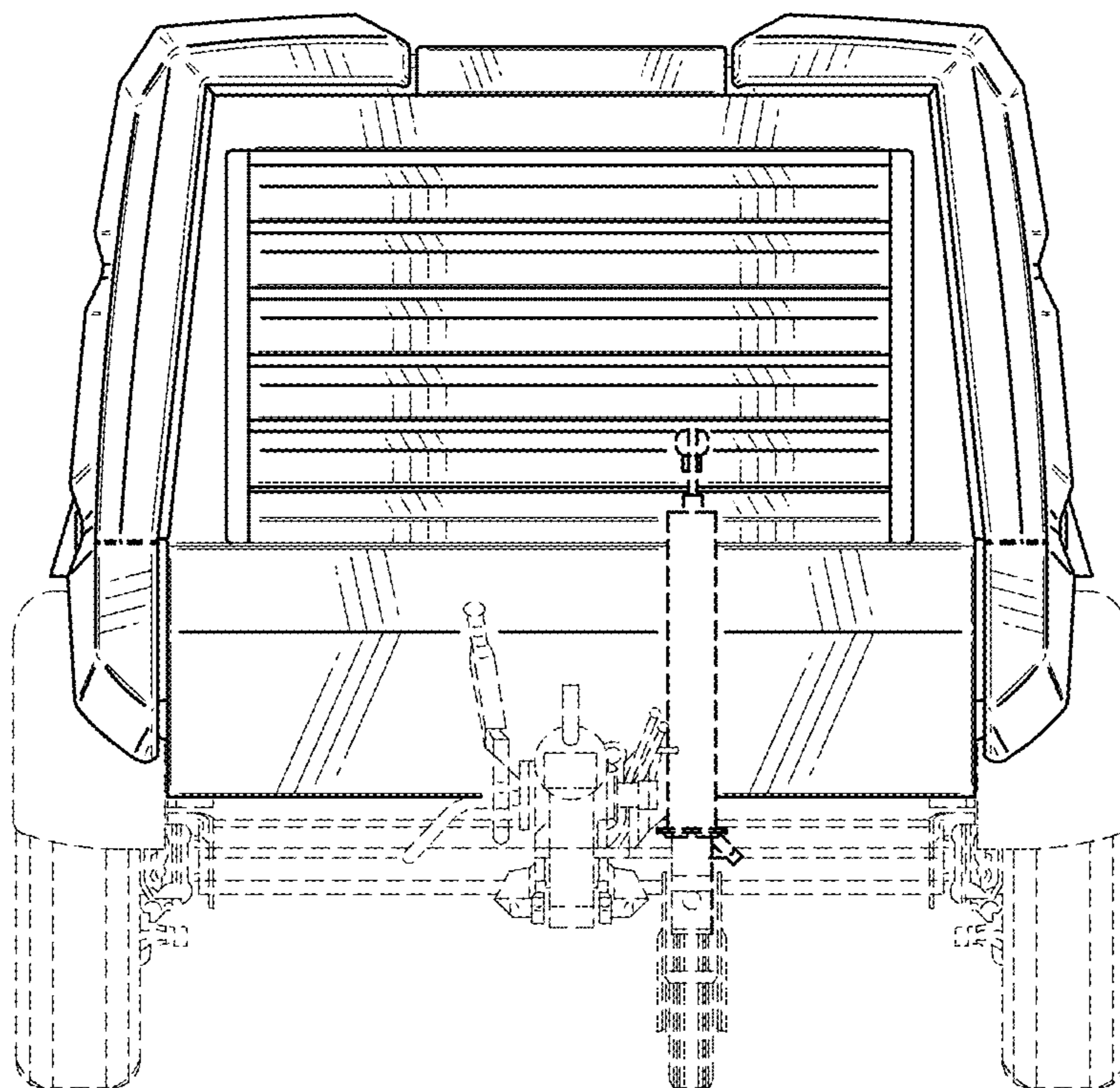


Fig. 4

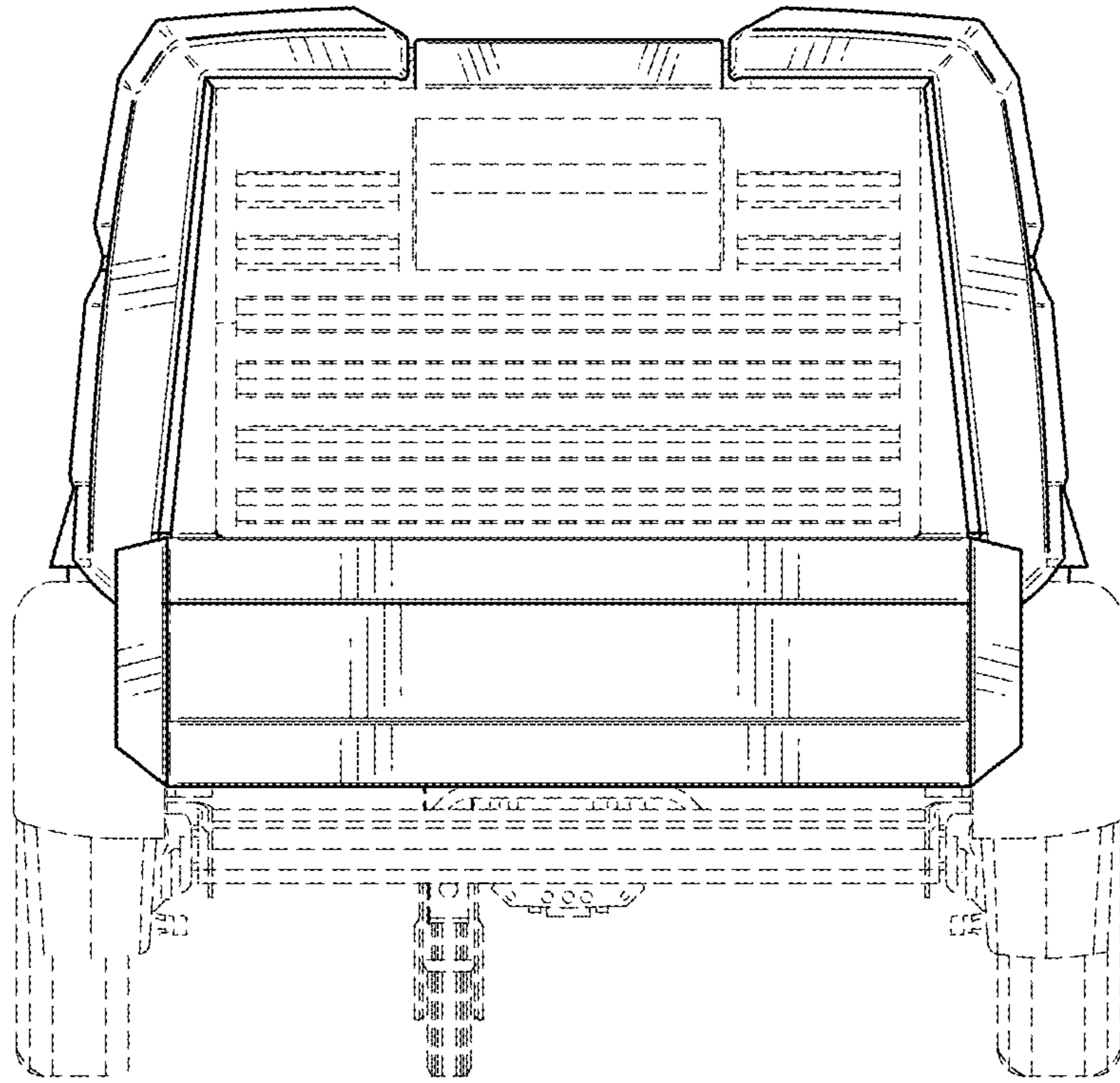


Fig. 5

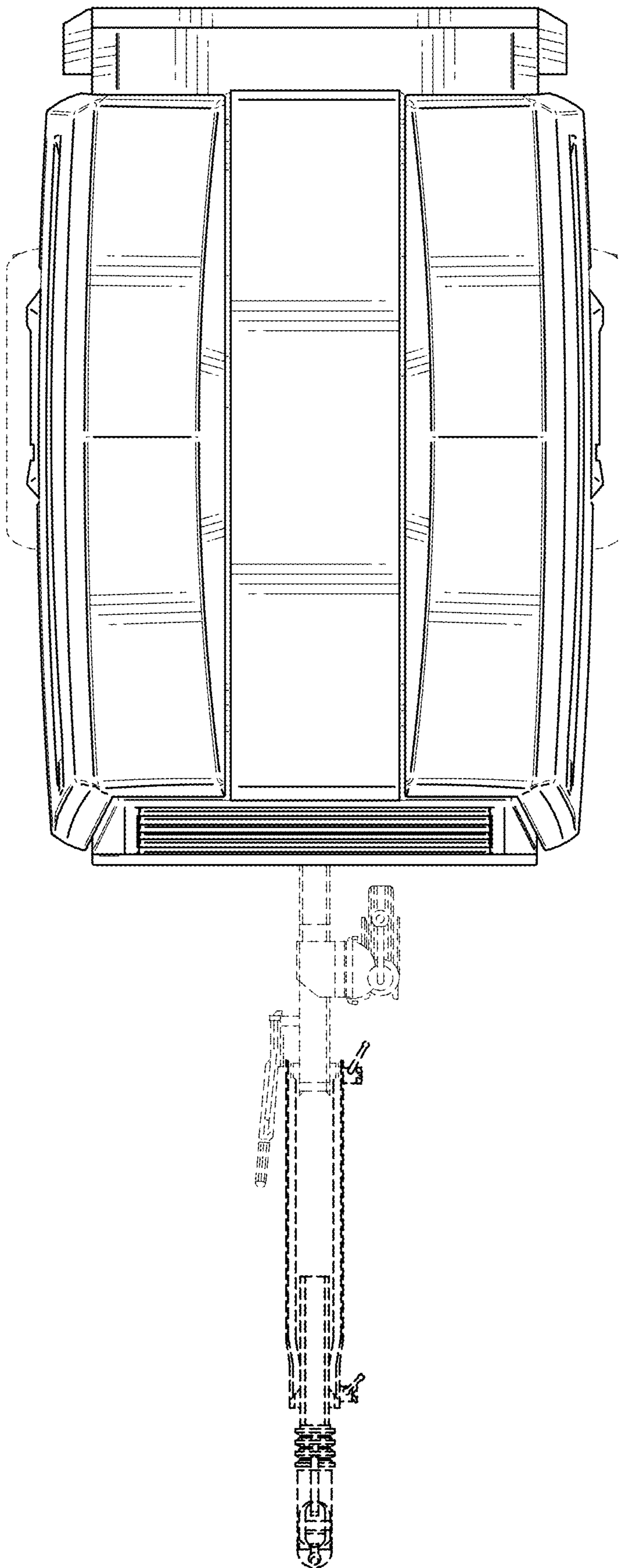


Fig. 6

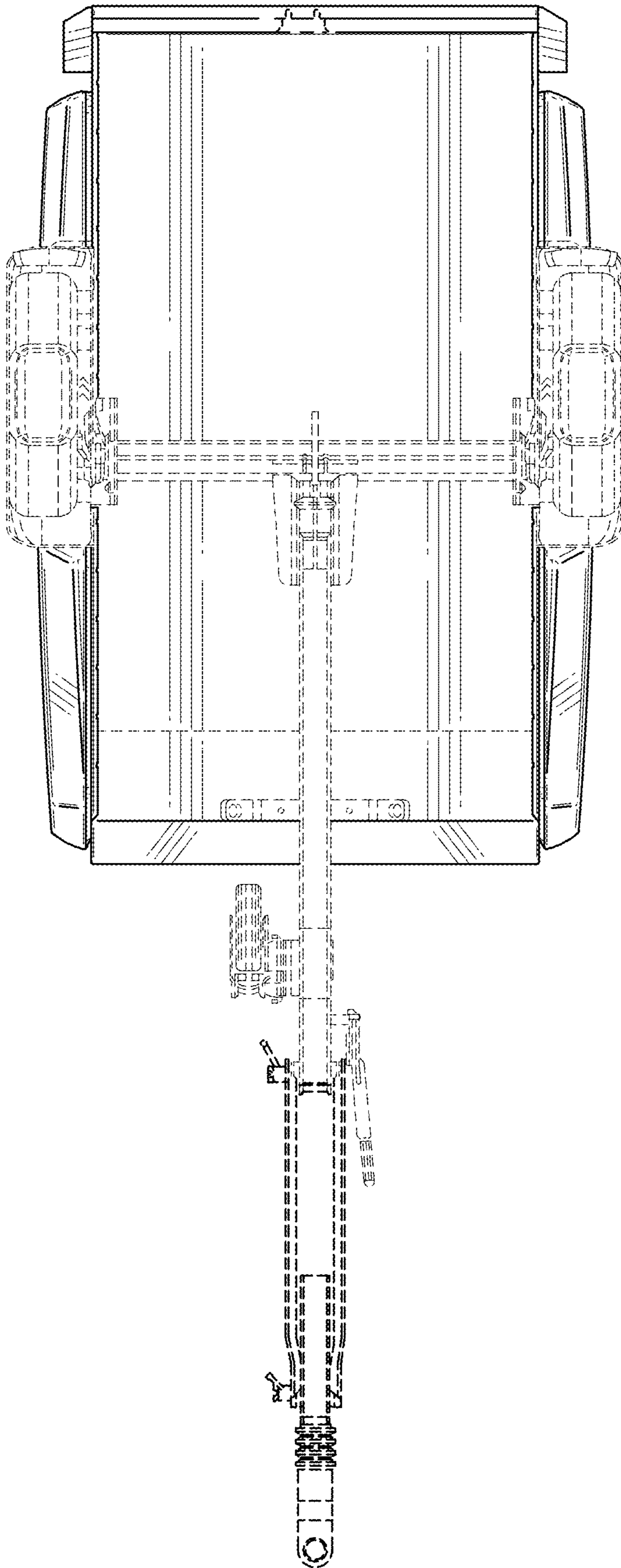


Fig. 7