



US00D967862S

(12) **United States Design Patent** (10) **Patent No.:** **US D967,862 S**  
**Liu** (45) **Date of Patent:** **\*\* Oct. 25, 2022**

(54) **AIR BOX FOR AUTOMOTIVE AIR INTAKE**

(56) **References Cited**

(71) Applicant: **Resource Intl Inc.**, New Castle, DE (US)

U.S. PATENT DOCUMENTS

(72) Inventor: **Ye Liu**, Elkton, MD (US)

D532,795 S \* 11/2006 Quezada ..... D15/5  
D757,823 S \* 5/2016 Yee ..... D15/5  
2006/0196462 A1\* 9/2006 Quezada ..... F02M 35/10144  
123/184.21  
2020/0130608 A1\* 4/2020 Wiley ..... B60K 13/02

(73) Assignee: **Resource Intl Inc.**, New Castle, DE (US)

\* cited by examiner

(\*\*) Term: **15 Years**

*Primary Examiner* — Ania Aman

(21) Appl. No.: **29/788,179**

(74) *Attorney, Agent, or Firm* — Condo Roccia Koptiw LLP

(22) Filed: **Apr. 5, 2021**

(57) **CLAIM**

(51) **LOC (13) Cl.** ..... **15-01**

The ornamental design for an air box for automotive air intake, as shown and described.

(52) **U.S. Cl.**

**DESCRIPTION**

USPC ..... **D15/5**

(58) **Field of Classification Search**

USPC ..... D15/1-5

CPC ..... F02M 35/10091; F02M 35/10222; F02M 35/10295; F02M 35/10321; F02M 35/10262; F02M 35/104; F02M 35/10354; F02M 35/116; F02M 35/10052; F02M 35/10078; F02M 35/112; F02M 35/10085; F02M 31/00; F02M 31/04; F02M 31/042; F02M 31/045; F02M 31/047; F02M 31/093; F02M 35/10144; F02M 35/10039; F02M 35/10347; F02M 35/10334; F02M 35/00; F02M 35/10; F02M 35/10026; F02M 35/044

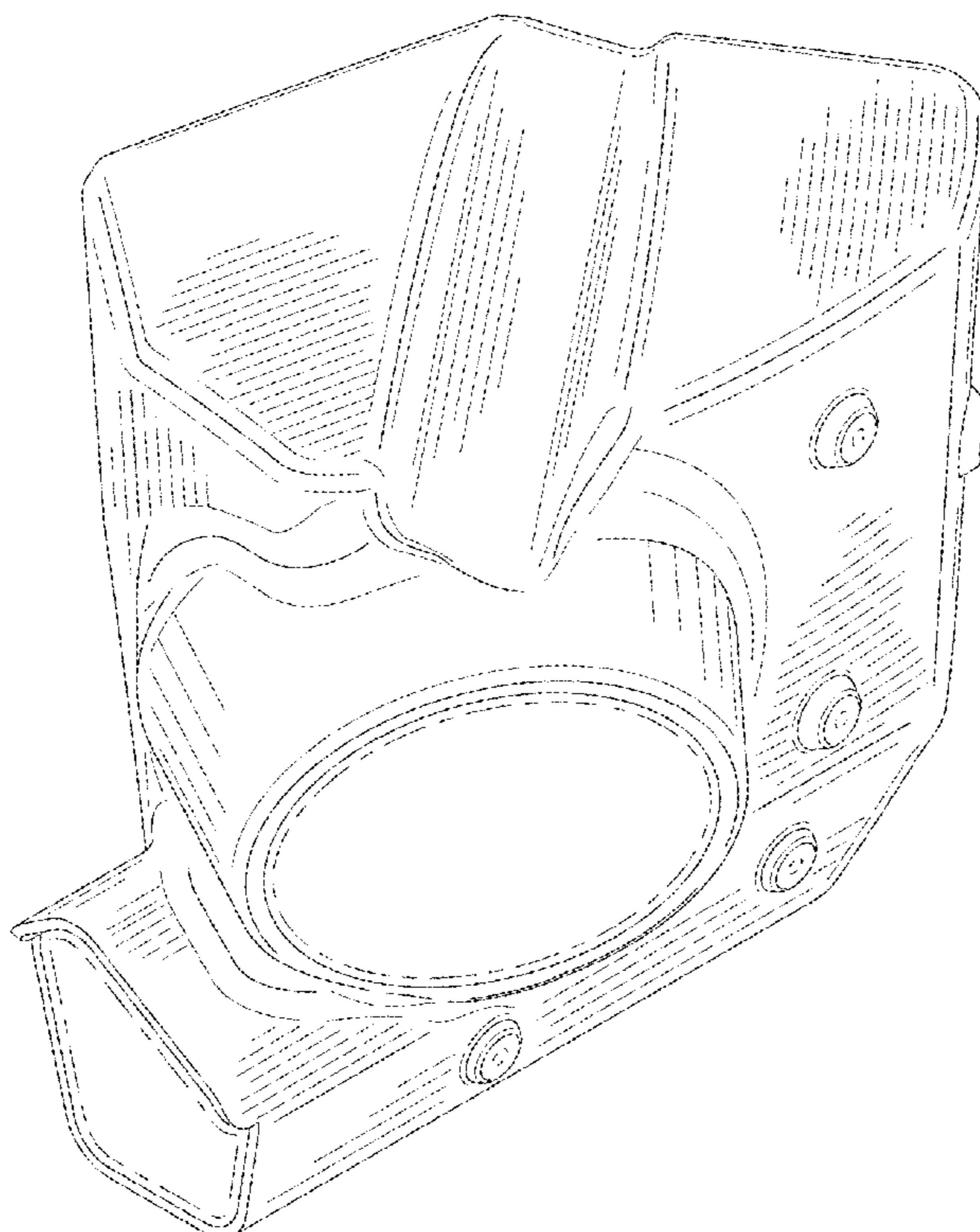
FIG. 1 is a top front perspective view of an air box for automotive air intake showing my new design;  
FIG. 2 is a front elevation view thereof;  
FIG. 3 is a rear elevation view thereof;  
FIG. 4 is a right side elevation view thereof;  
FIG. 5 is a left side elevation view thereof;  
FIG. 6 is a top plan view thereof; and,  
FIG. 7 is a bottom plan view thereof.

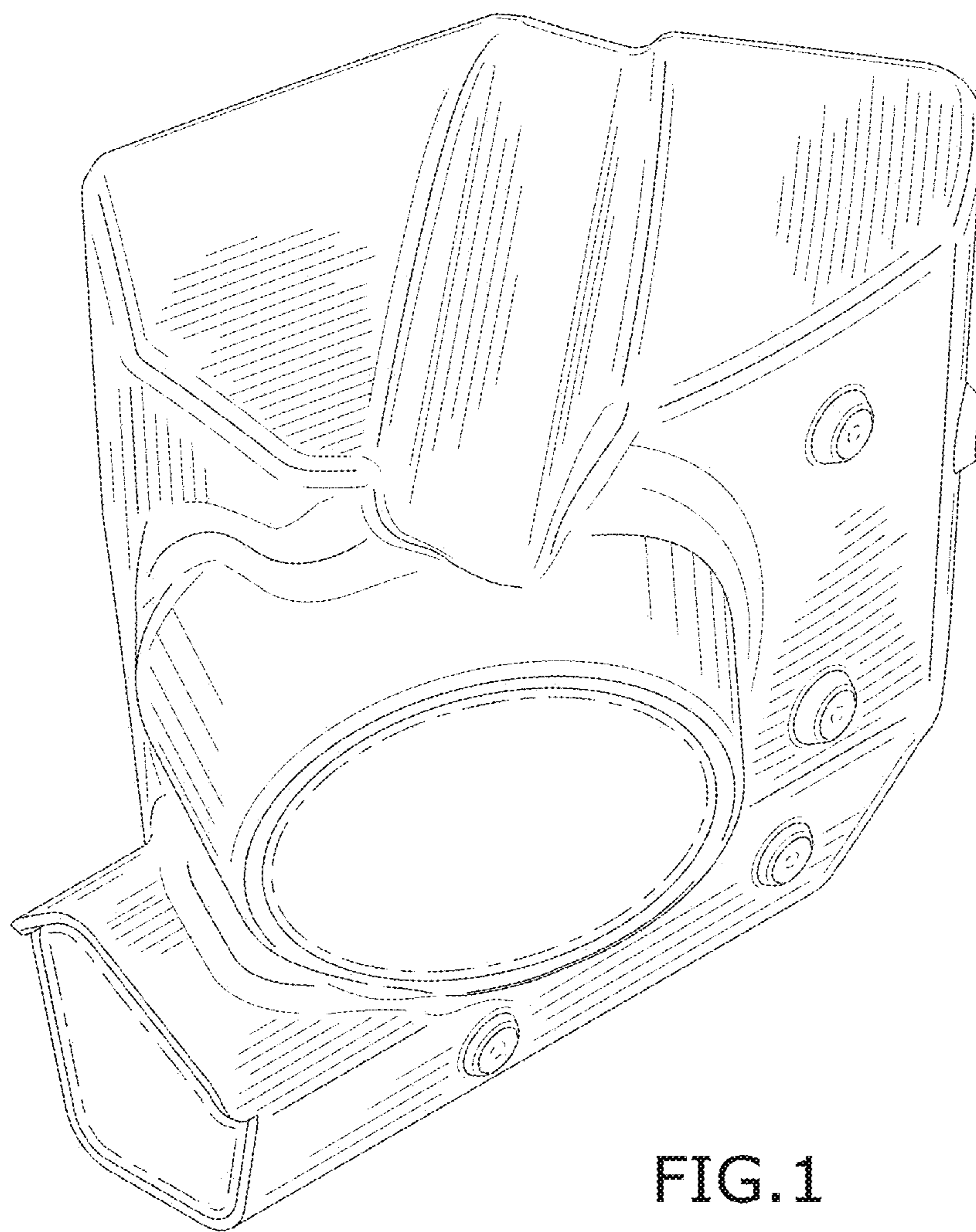
The broken lines shown in the drawings illustrate portions of the air box for automotive air intake that form no part of the claimed design.

The dash-dot-dash line illustrates a boundary and forms no part of the claim.

See application file for complete search history.

**1 Claim, 4 Drawing Sheets**





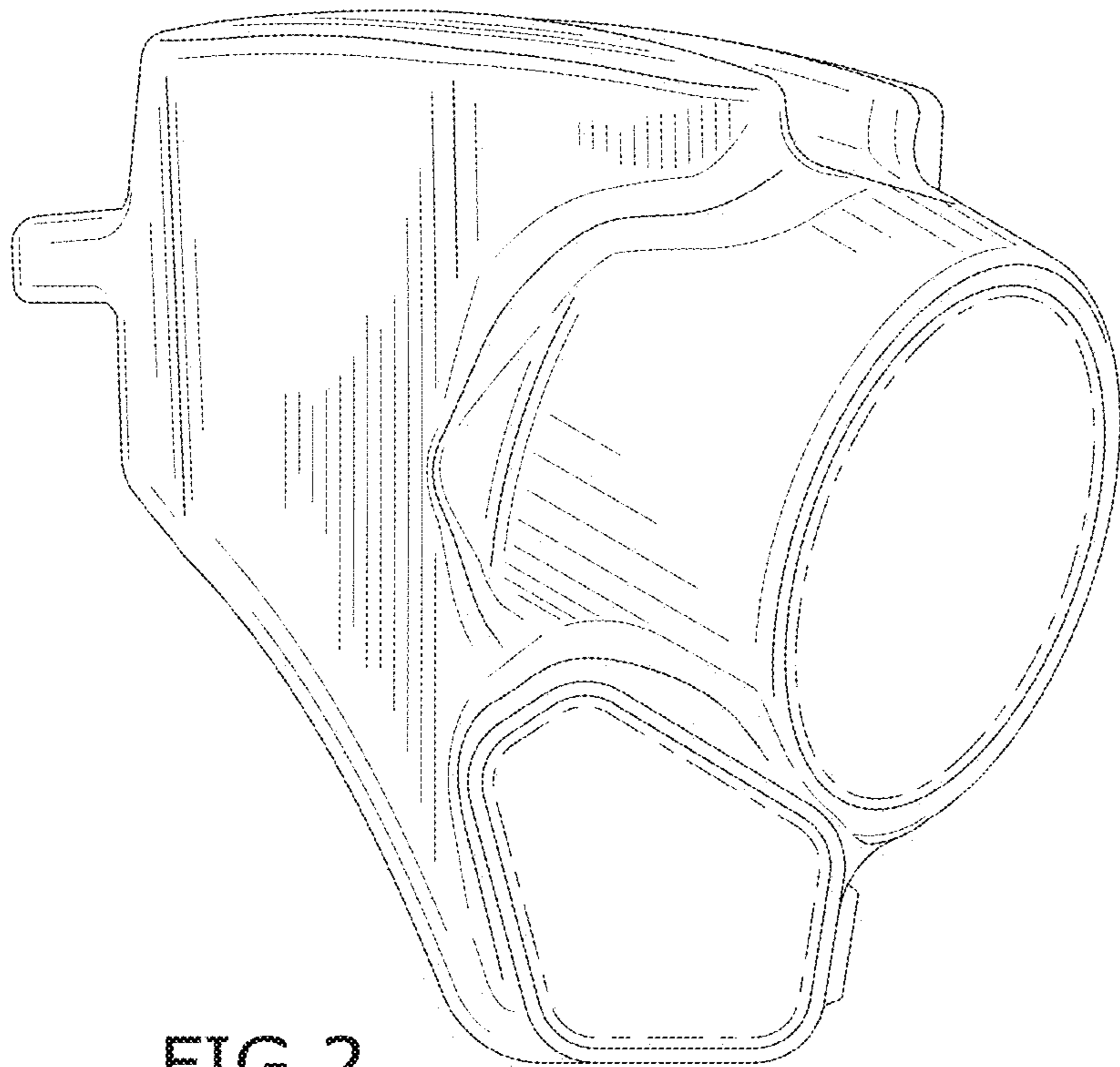


FIG. 2

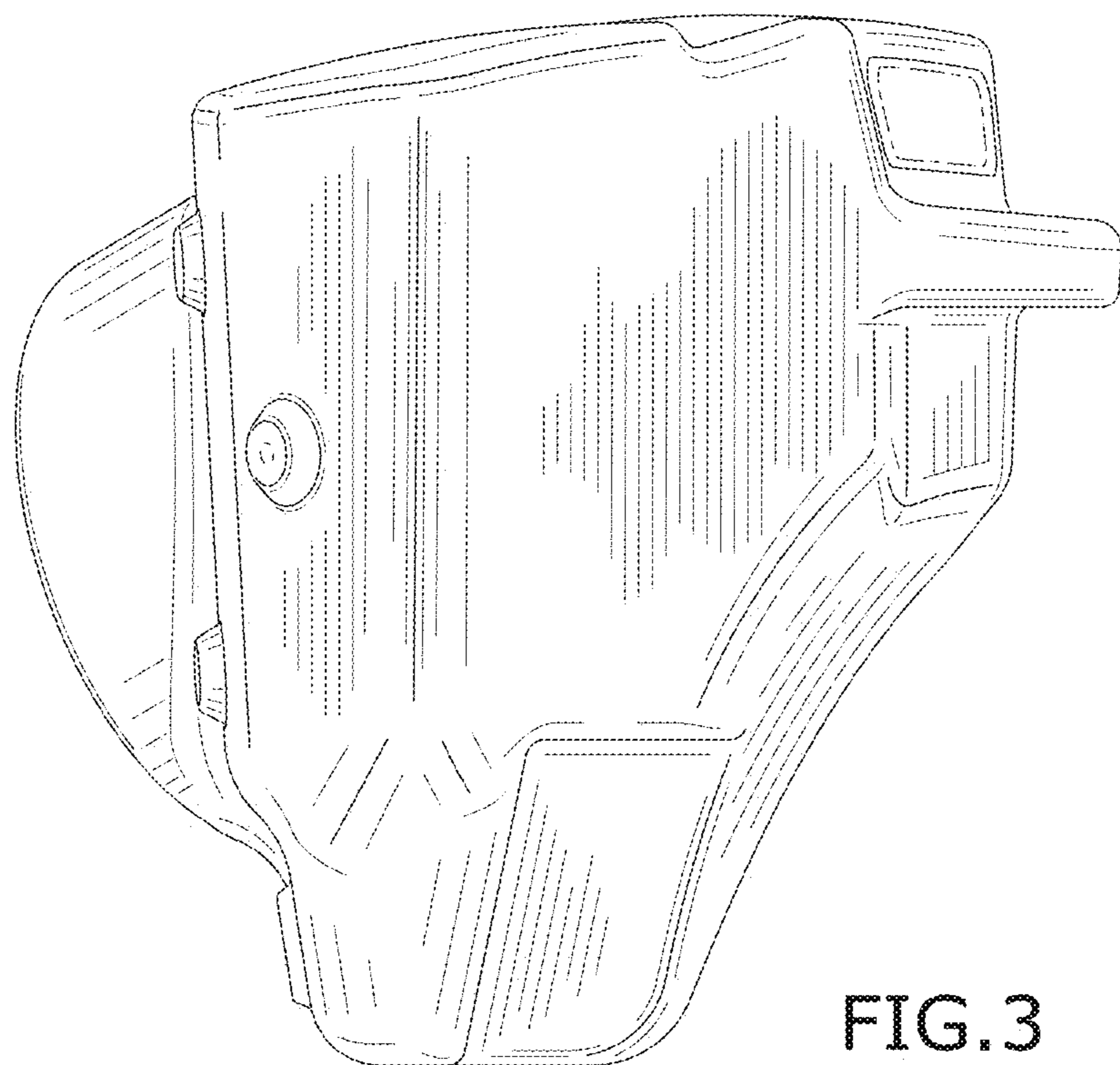


FIG. 3

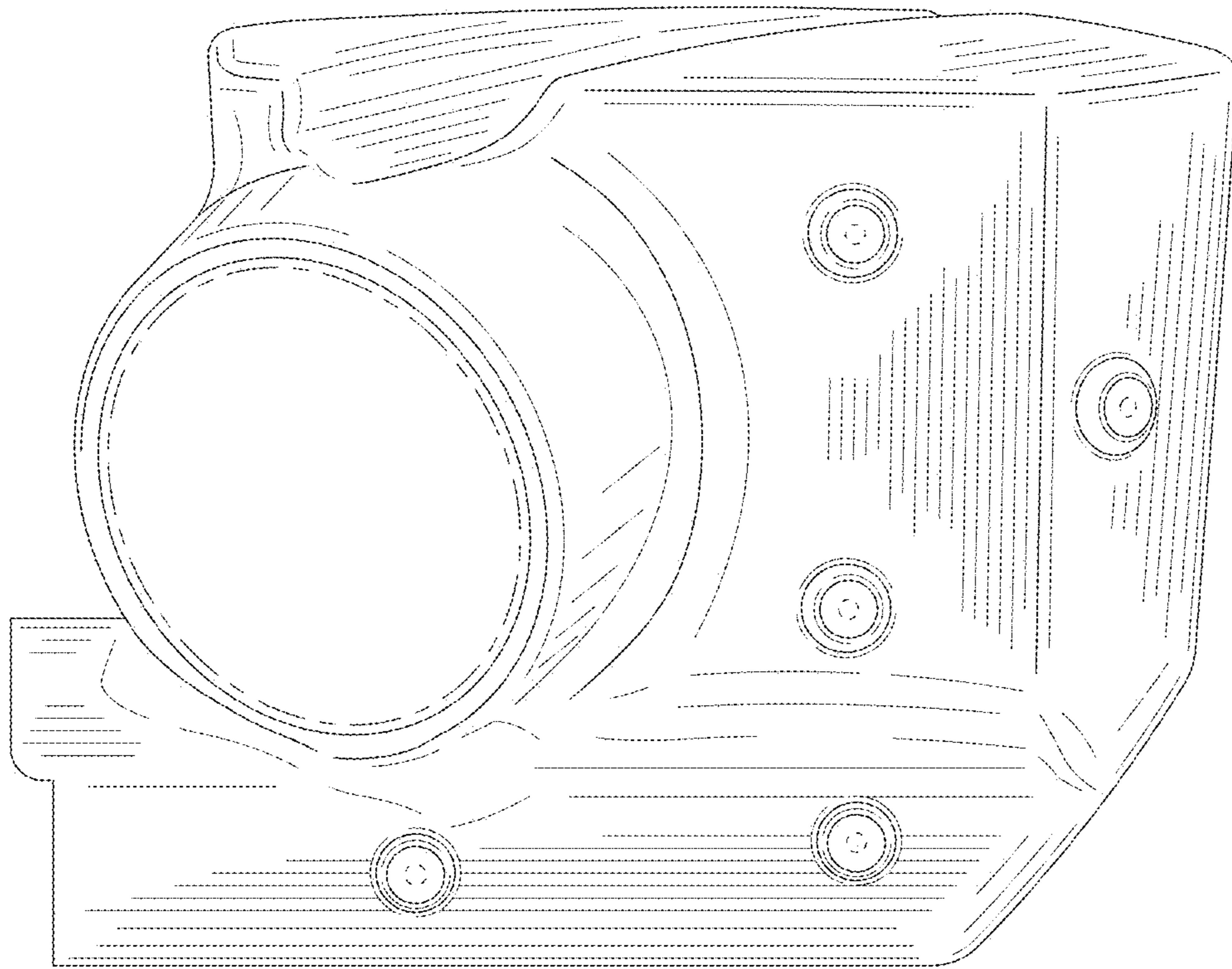


FIG. 4

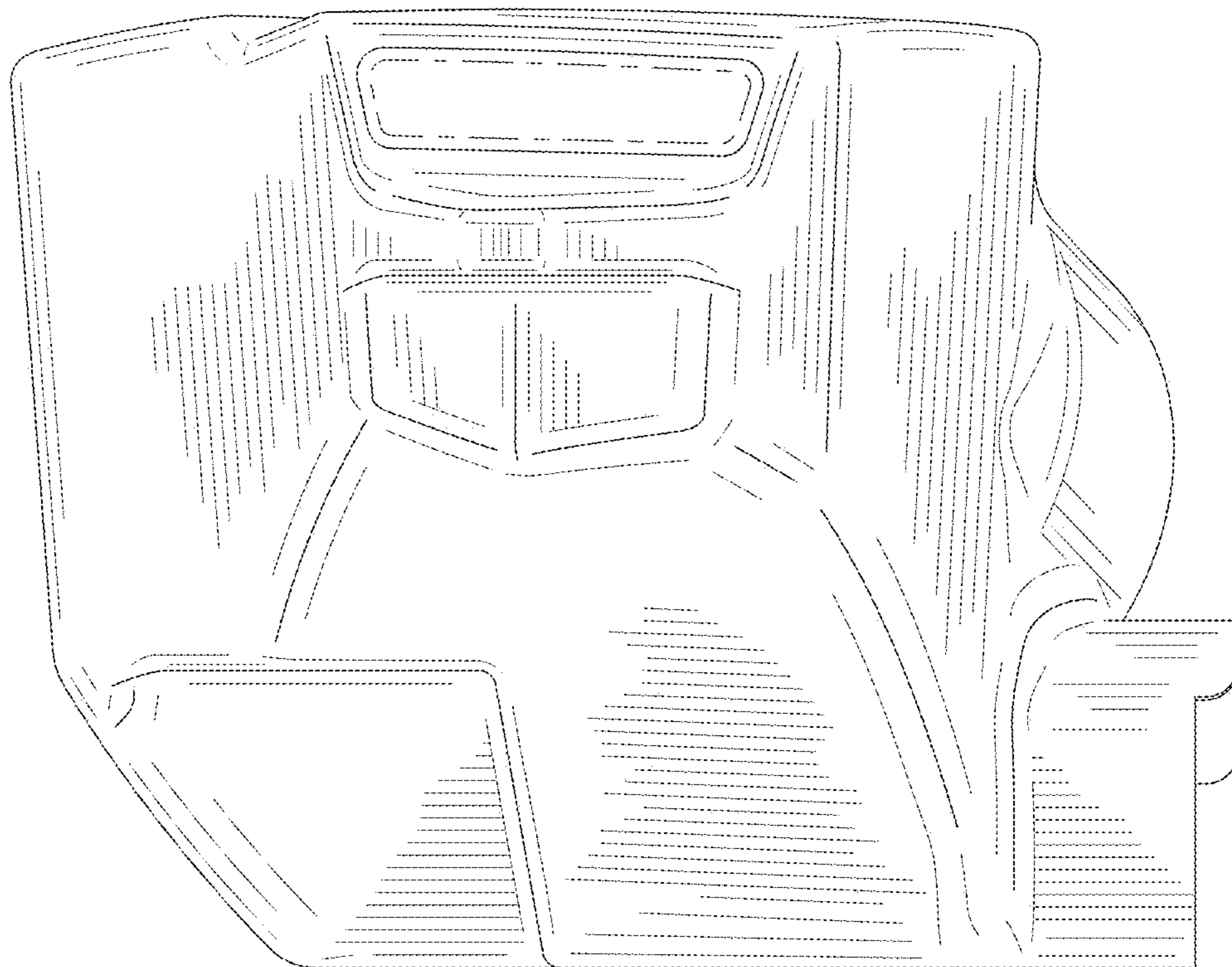


FIG. 5

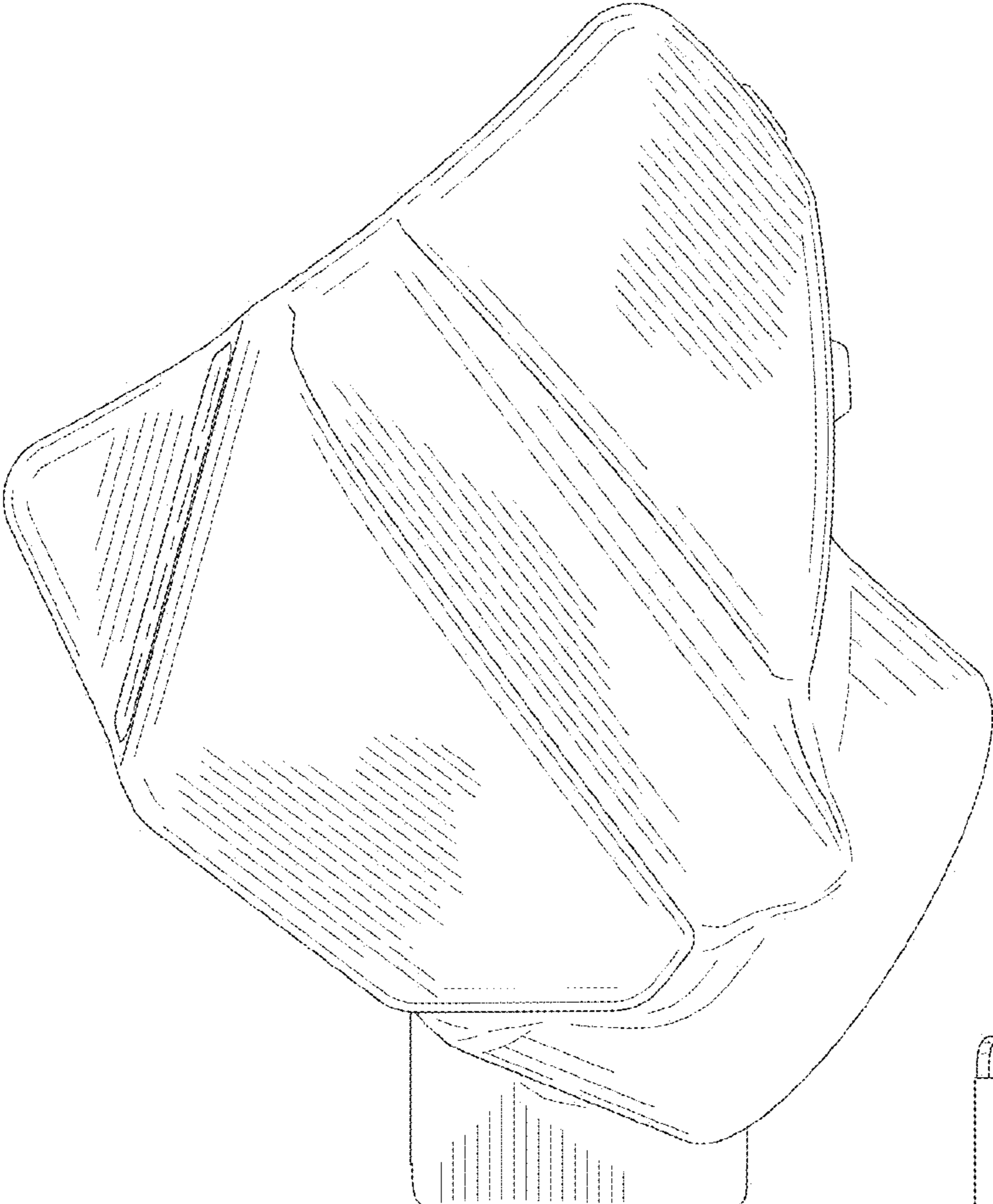


FIG. 6

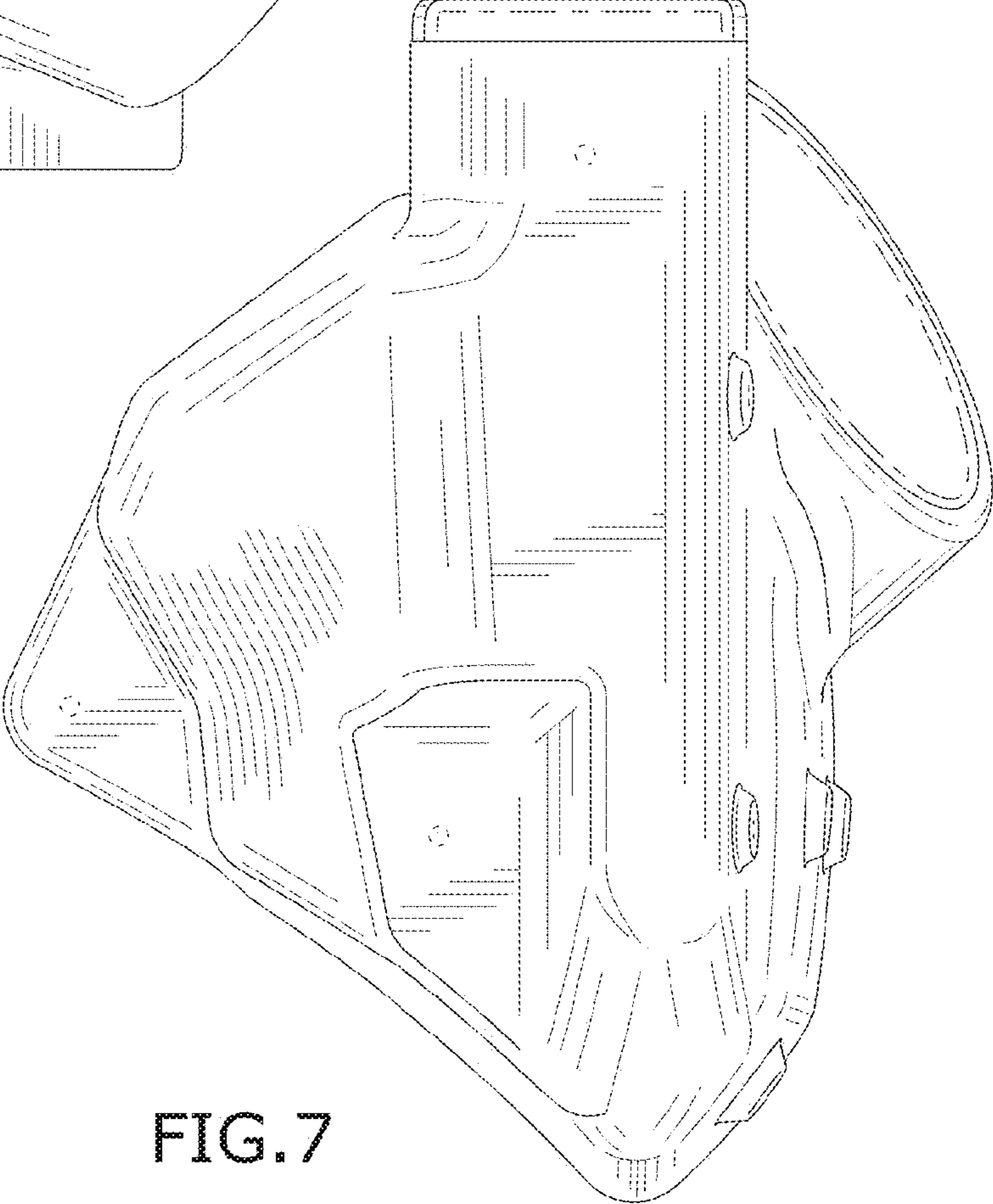


FIG. 7