

US00D967860S

(12) **United States Design Patent** (10) **Patent No.:** **US D967,860 S**
Alexander et al. (45) **Date of Patent:** **** Oct. 25, 2022**

(54) **MANIFOLD**
(71) Applicant: **Holley Performance Products, Inc.**,
Bowling Green, KY (US)
(72) Inventors: **Colin R. Alexander**, Bowling Green,
KY (US); **James D. Dralle**, Bowling
Green, KY (US)

7,533,661 B2 5/2009 Baasch
D654,094 S 2/2012 Dralle
9,556,831 B1 * 1/2017 Jasper F02M 31/02
D794,681 S 8/2017 Newman et al.
D794,682 S 8/2017 Newman et al.
D853,920 S 7/2019 Hudnall
(Continued)

(73) Assignee: **Holley Performance Products, Inc.**,
Bowling Green, KY (US)
(**) Term: **15 Years**

AU 341122 2/2012
AU 201717286 12/2017
(Continued)

FOREIGN PATENT DOCUMENTS

(21) Appl. No.: **29/755,372**
(22) Filed: **Oct. 20, 2020**
(51) **LOC (13) Cl.** **15-01**
(52) **U.S. Cl.**
USPC **D15/5**
(58) **Field of Classification Search**
USPC D15/1, 2, 3, 4, 5, 6
CPC F02M 35/104; F02M 35/108; F02M
35/1085; F02M 35/116
See application file for complete search history.

OTHER PUBLICATIONS

Design U.S. Appl. No. 29/699,715, filed Jul. 29, 2019 titled Mani-
fold.
(Continued)

Primary Examiner — Ania Aman
(74) *Attorney, Agent, or Firm* — Middleton Reutlinger

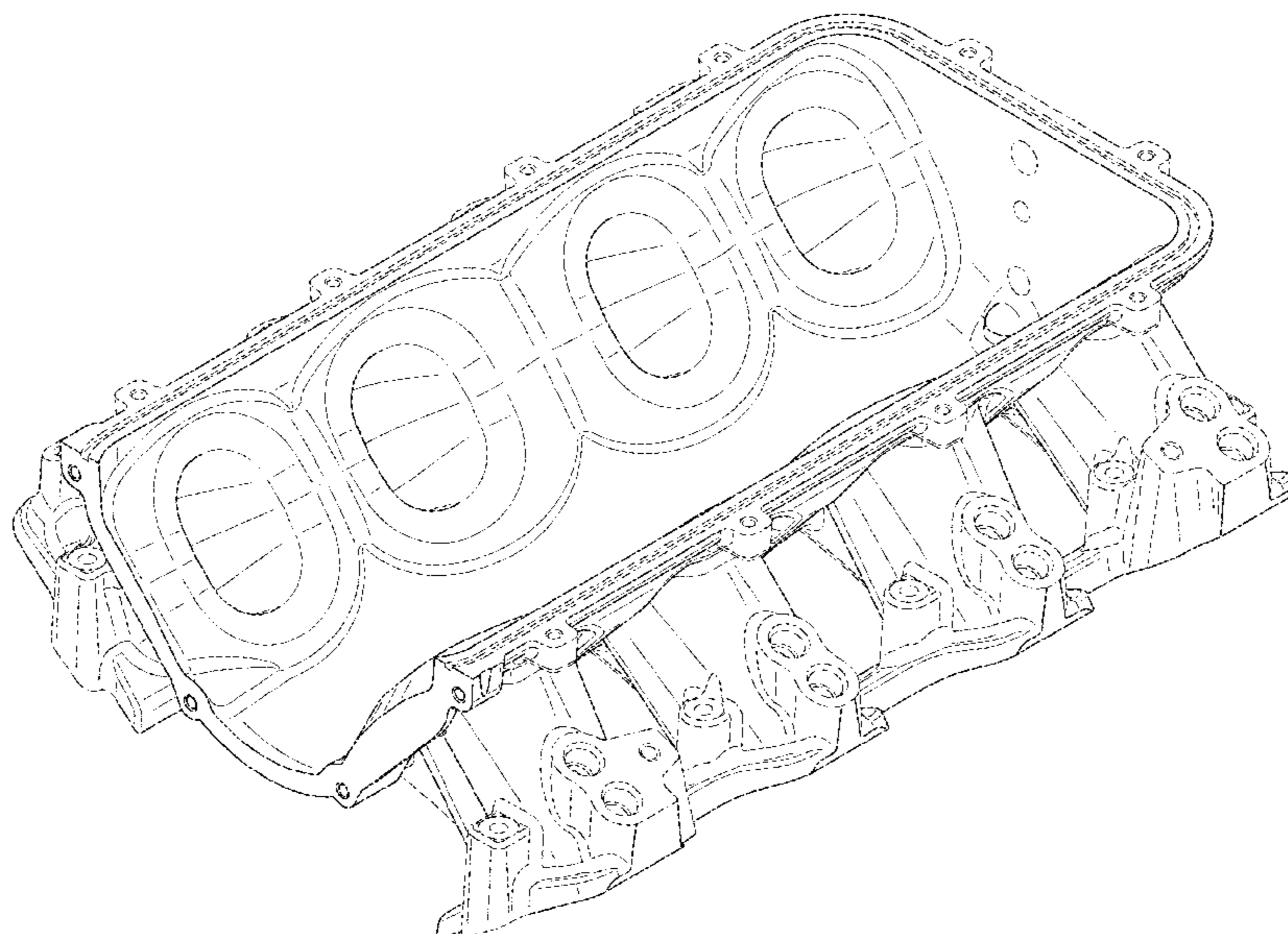
(57) **CLAIM**
The ornamental design for a manifold, as shown and
described.

(56) **References Cited**
U.S. PATENT DOCUMENTS
4,165,720 A * 8/1979 Barcak F02B 29/0475
123/41.31
4,925,510 A * 5/1990 Hojo F02M 35/10321
156/92
5,150,669 A * 9/1992 Rush, II F02M 35/10118
137/527
5,959,263 A 9/1999 Foltz, Jr.
6,394,128 B1 5/2002 Concialdi
6,401,679 B1 * 6/2002 Self F02M 35/10144
123/184.31
6,792,906 B2 9/2004 Grant
7,503,302 B2 * 3/2009 Miyashita F02M 35/10032
123/184.34

DESCRIPTION

FIG. 1 is an upper perspective view of a manifold showing
our new design;
FIG. 2 is a lower perspective view of the design of FIG. 1;
FIG. 3 is a top view of the design of FIG. 1;
FIG. 4 is a bottom view of the design of FIG. 1;
FIG. 5 is a first side view of the design of FIG. 1;
FIG. 6 is a second side view of the design of FIG. 1;
FIG. 7 is a front view of the design of FIG. 1; and,
FIG. 8 is a rear view of the design of FIG. 1.
In the drawings, the broken lines depict unclaimed portions
of the manifold only and form no part of the claimed design.

1 Claim, 8 Drawing Sheets



(56)

References Cited

U.S. PATENT DOCUMENTS

10,385,811 B2 8/2019 Newman et al.
 D886,701 S 6/2020 Hudnall
 11,136,950 B2* 10/2021 Tiramani F02M 35/104
 2004/0094111 A1 5/2004 Concialdi
 2004/0206339 A1* 10/2004 Suwazono F02M 35/10157
 123/563
 2006/0005798 A1* 1/2006 Chu F02M 35/1272
 123/184.55
 2006/0090722 A1* 5/2006 Boveia F02M 35/10085
 123/184.21
 2006/0150950 A1* 7/2006 Huhn F02M 35/116
 123/336
 2007/0175456 A1* 8/2007 Tally F02M 35/10052
 123/563
 2009/0260906 A1* 10/2009 Hartland F02M 35/10222
 180/68.3
 2009/0277412 A1* 11/2009 Sato F02M 35/10295
 123/184.31
 2009/0293831 A1* 12/2009 Harada F02M 35/10262
 123/184.53
 2011/0005488 A1* 1/2011 Reese F02M 35/116
 123/184.61
 2011/0132310 A1* 6/2011 Born F02M 35/10019
 123/184.21
 2011/0162611 A1* 7/2011 Zhang F02D 9/1095
 123/184.56
 2017/0067424 A1* 3/2017 Krogdahl F02M 35/10347
 2019/0128221 A1* 5/2019 Tiramani F02M 35/10091
 2019/0360438 A1* 11/2019 Tiramani F02B 29/0462

FOREIGN PATENT DOCUMENTS

AU 201717292 12/2017
 AU 201717296 12/2017
 AU 2015338922 11/2019
 AU 202010326 4/2020
 AU 202012463 6/2020
 AU 202012810 8/2020
 AU 202012813 8/2020

AU 202012814 8/2020
 AU 202012815 8/2020
 AU 202012817 8/2020
 AU 202012818 8/2020
 AU 202013437 10/2020
 AU 202015398 11/2020
 AU 202015399 11/2020
 AU 202112130 4/2021
 AU 202112132 4/2021
 AU 202112133 5/2021
 AU 202112130 7/2021
 AU 202112132 7/2021

OTHER PUBLICATIONS

Design U.S. Appl. No. 29/713,834, filed Nov. 19, 2019 titled
 Manifold.
 Design U.S. Appl. No. 29/713,833, filed Nov. 19, 2019 titled
 Manifold.
 Design U.S. Appl. No. 29/713,626, filed Nov. 18, 2019 titled
 Manifold.
 Design U.S. Appl. No. 29/755,371, filed Oct. 20, 2020 titled
 Manifold.
 Design U.S. Appl. No. 29/713,625, filed Nov. 18, 2019 titled
 Manifold.
 Design U.S. Appl. No. 29/747,341, filed Aug. 21, 2020 titled
 Manifold.
 Design U.S. Appl. No. 29/755,373, filed Oct. 20, 2020 titled
 Manifold Adapter.
 Holley 2017 New & Hot Products 2016.
 Design U.S. Appl. No. 29/605,771, filed May 30, 2017 titled
 "Exhaust Manifold".
 Design U.S. Appl. No. 29/713,627, filed Nov. 18, 2019 titled "Panel
 for Intake Manifold".
 Design U.S. Appl. No. 29/713,628, filed Nov. 18, 2019 titled
 "Throttle Body Adapter".
 Design U.S. Appl. No. 29/718,592, filed Dec. 26, 2019 titled
 "Manifold".
 Design U.S. Appl. No. 29/795,969, filed Jun. 22, 2021 titled
 "Manifold".

* cited by examiner

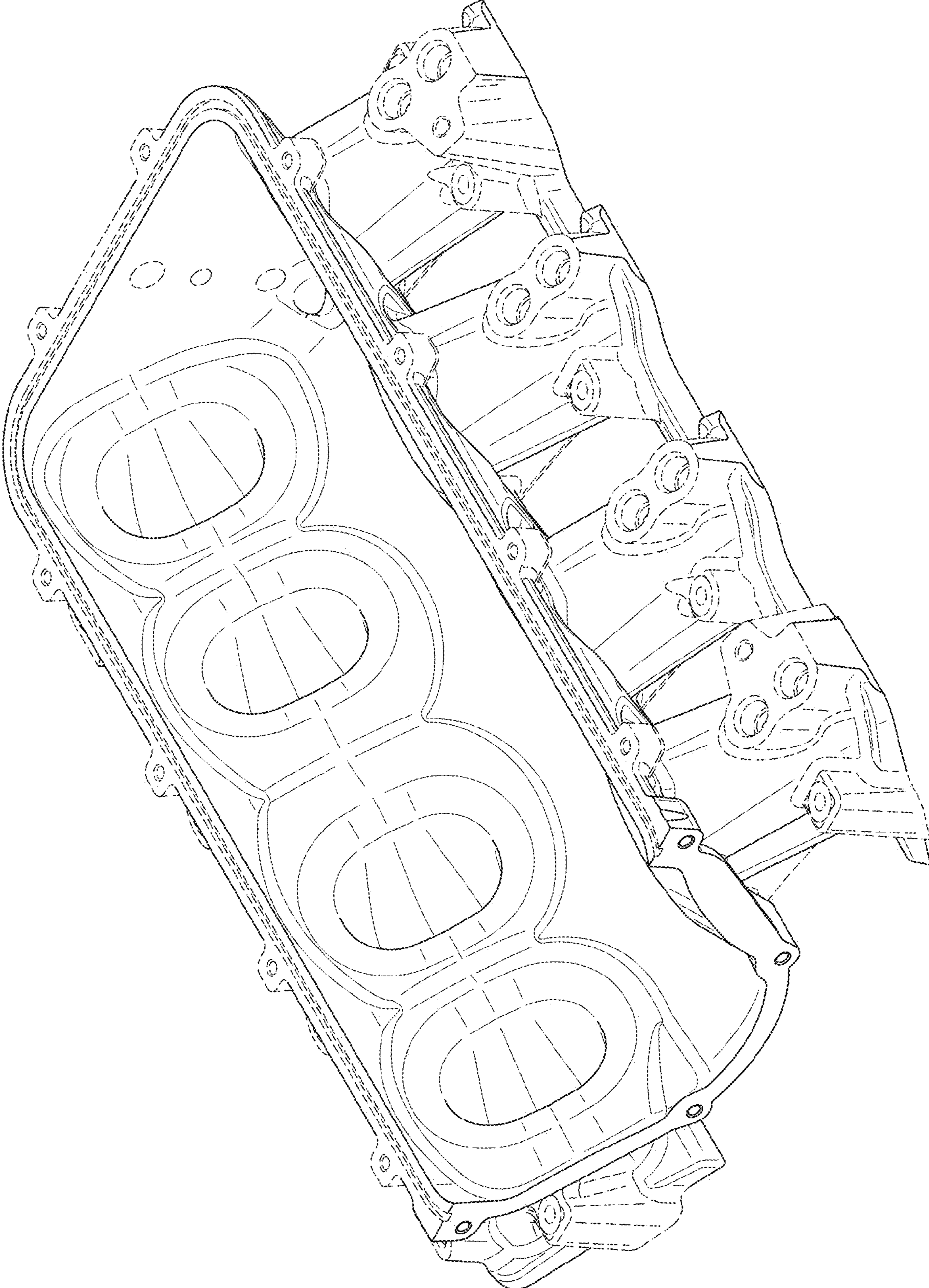


FIG. 1

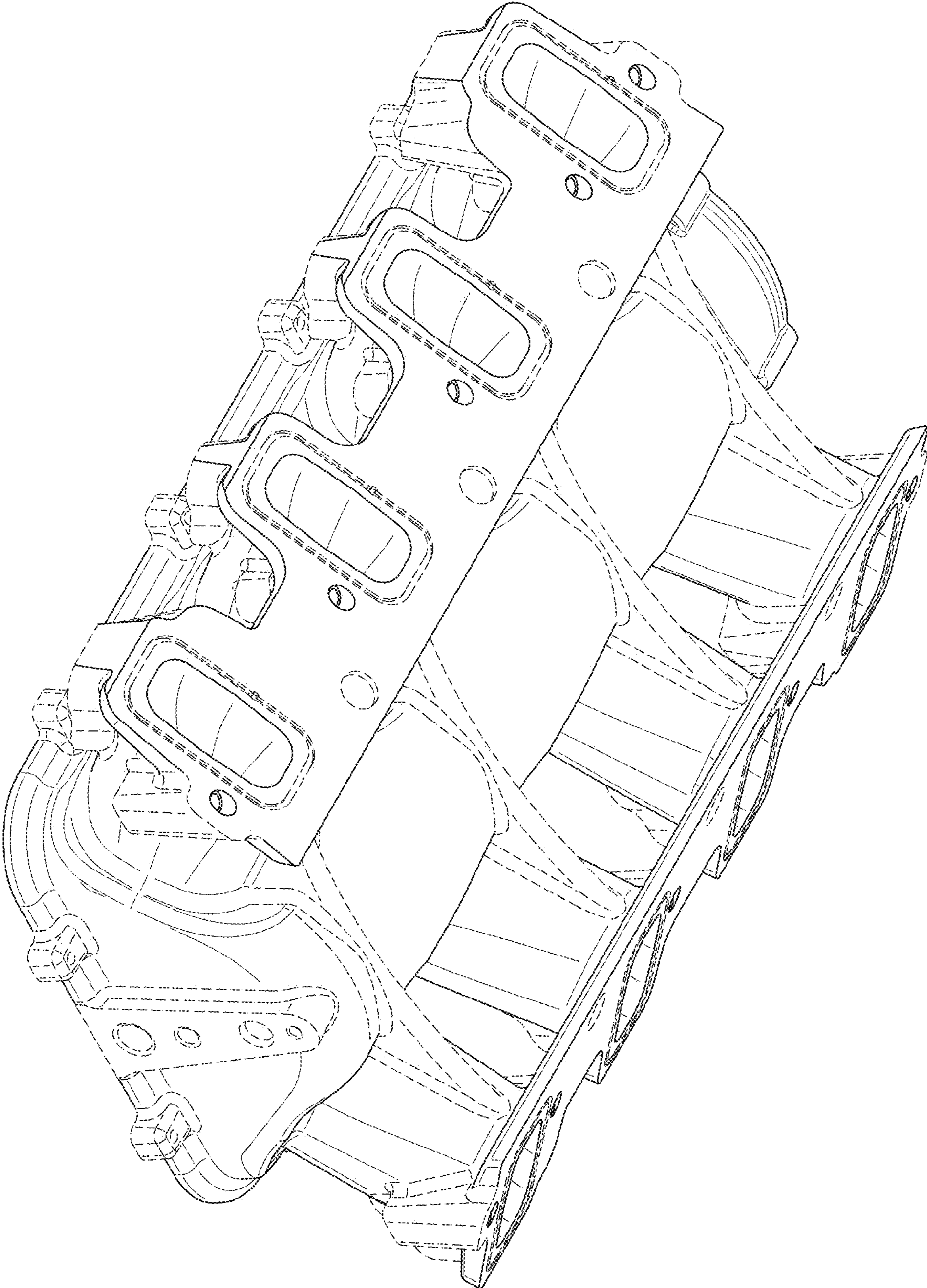


FIG. 2

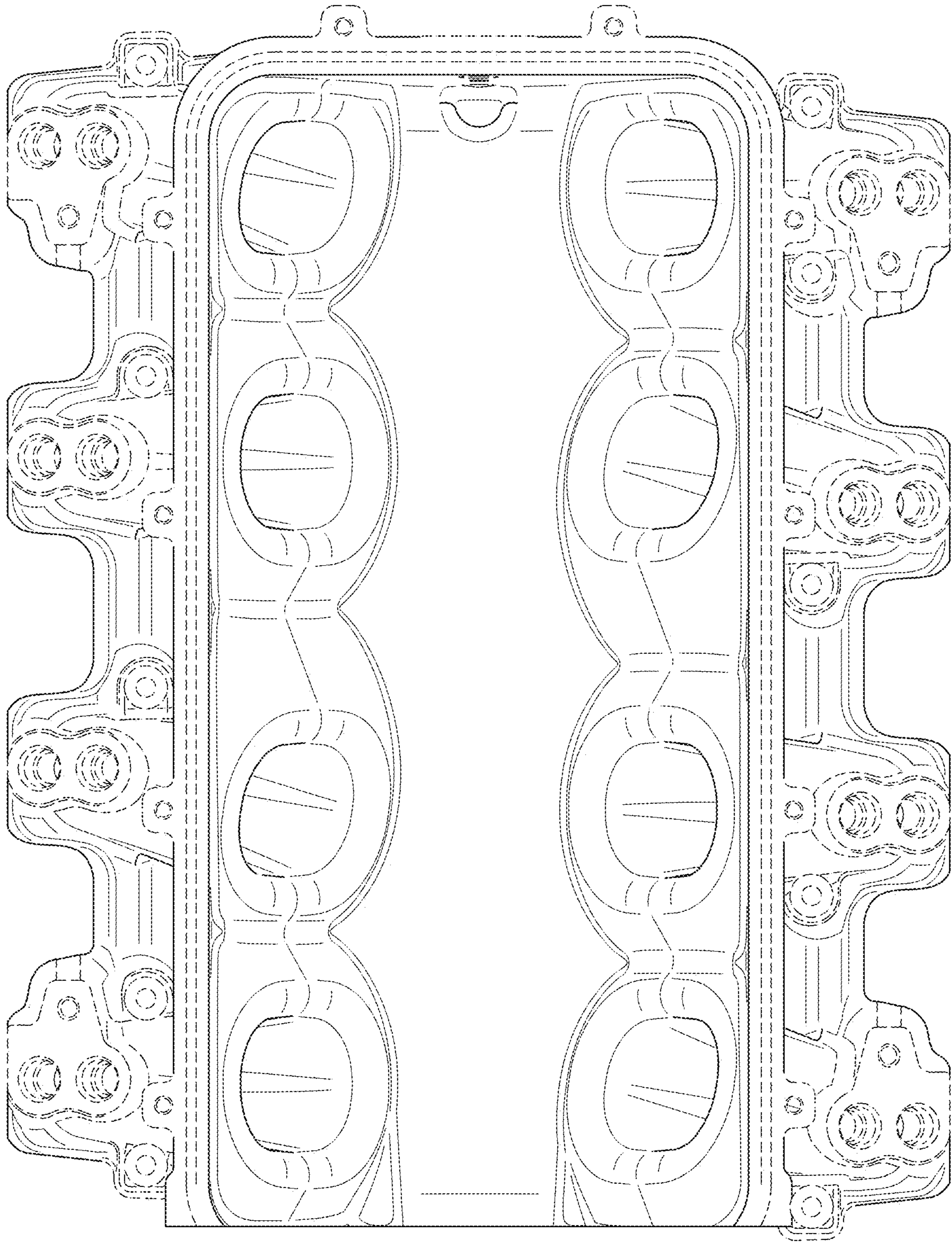


FIG. 3

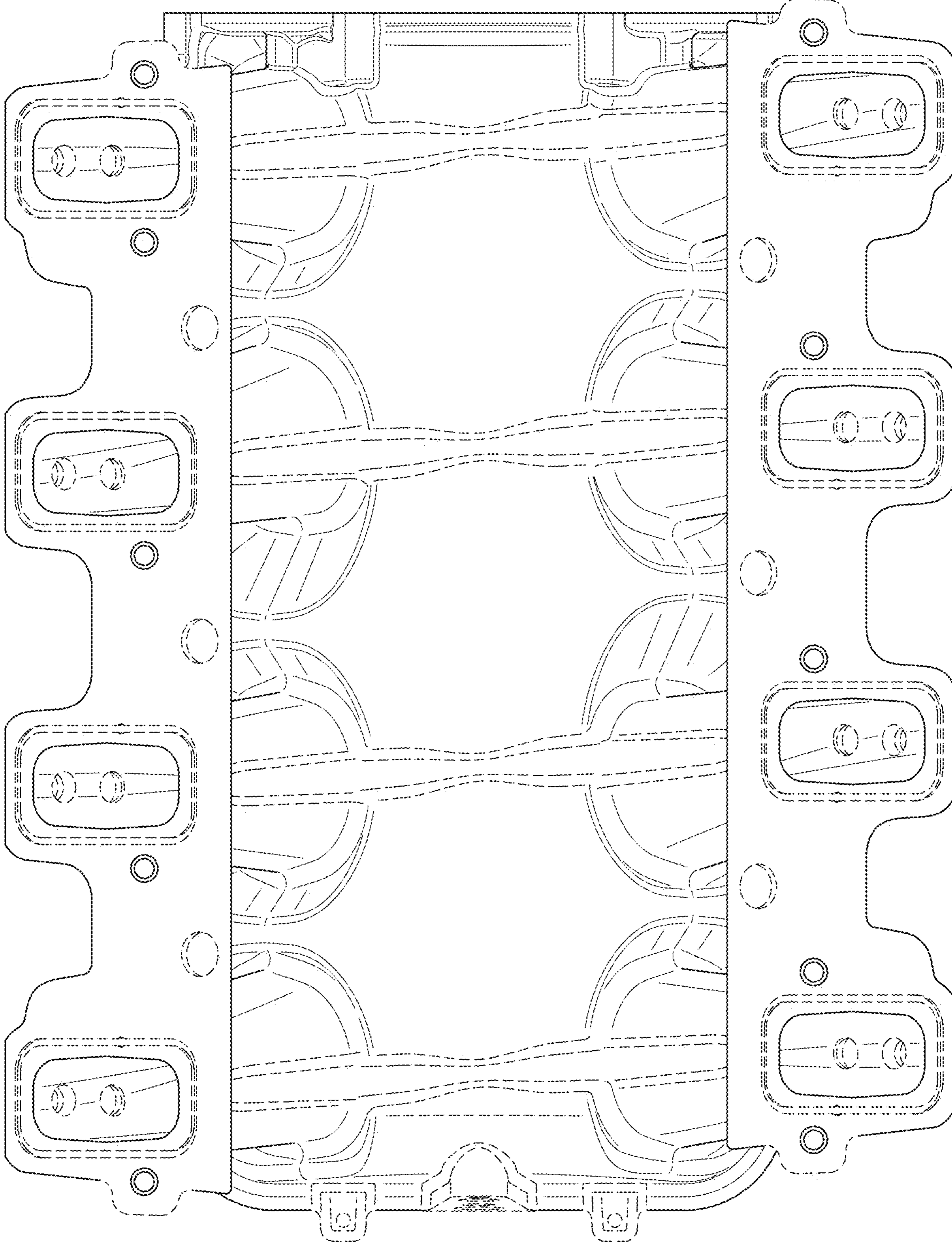


FIG. 4

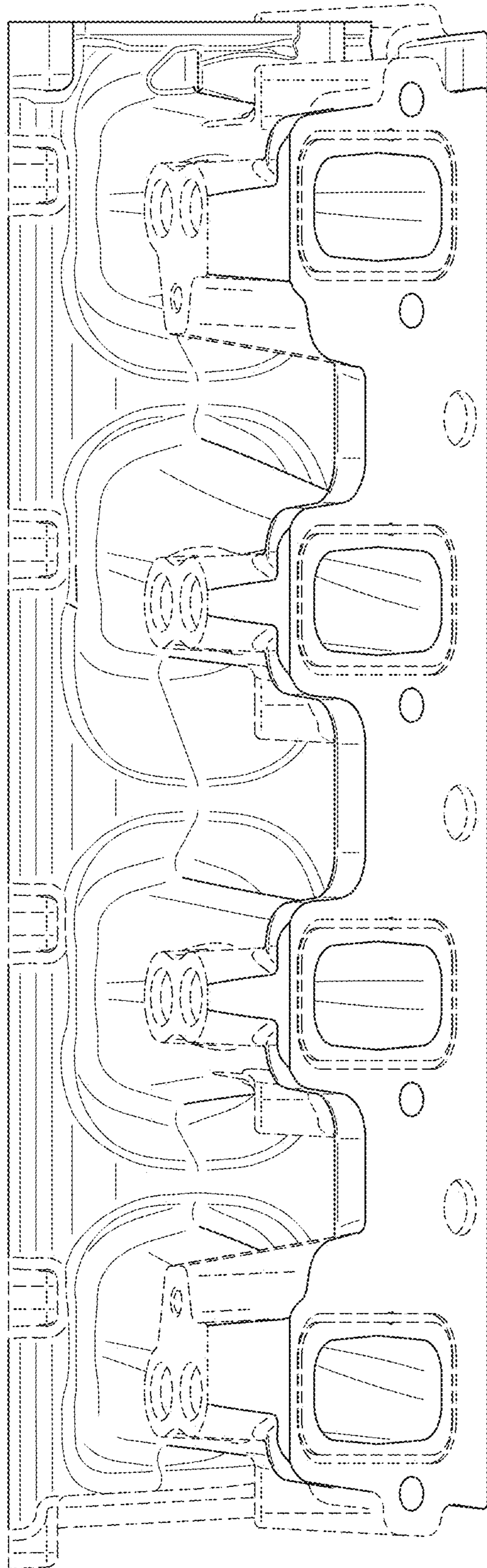


FIG. 5

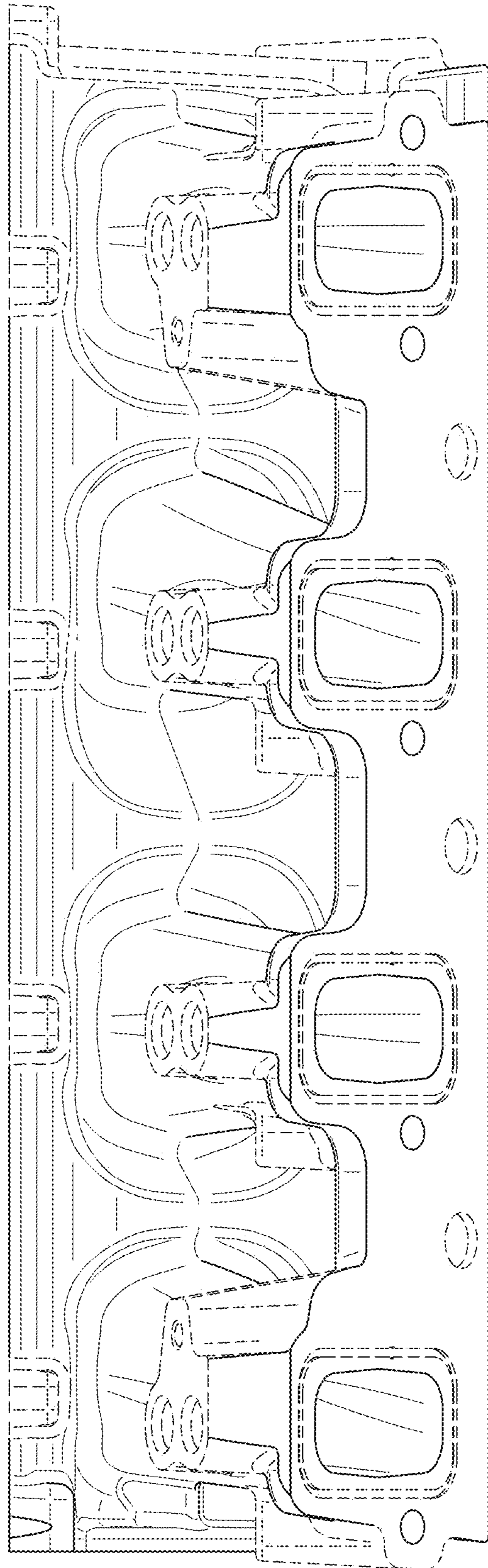


FIG. 6

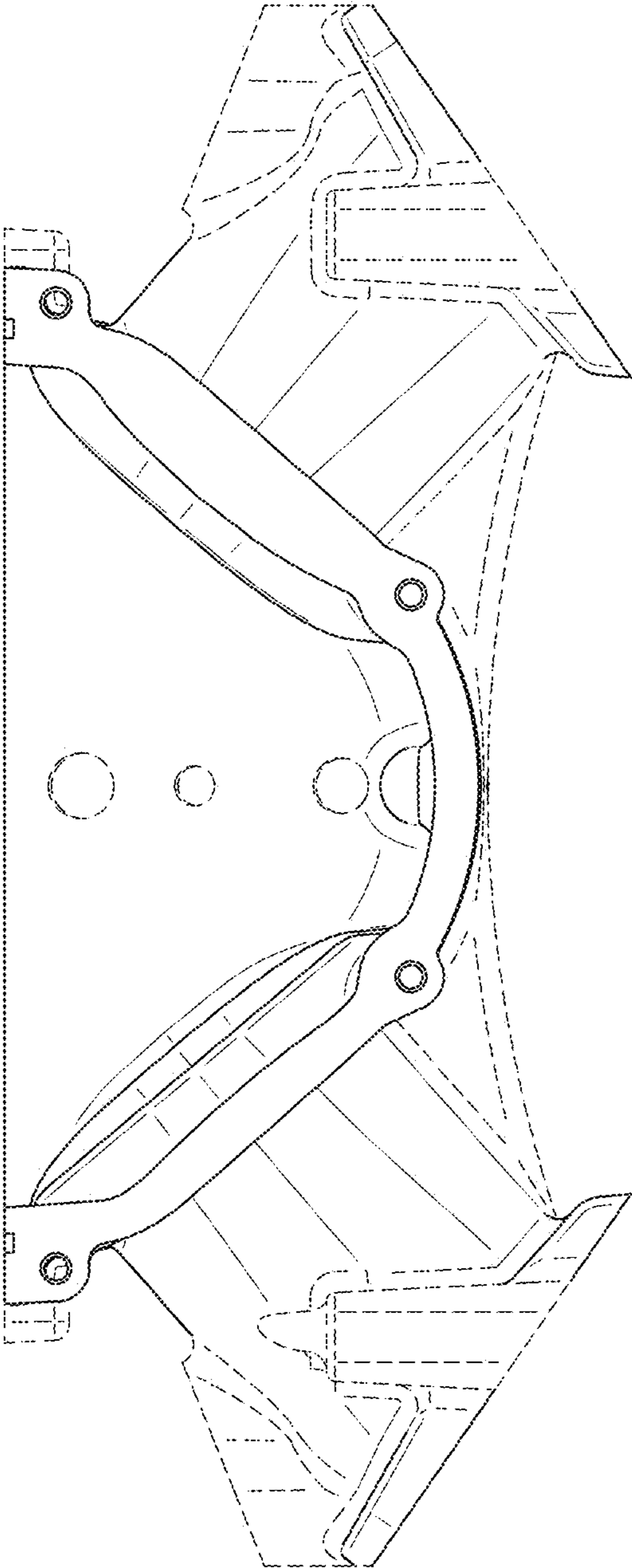


FIG. 7

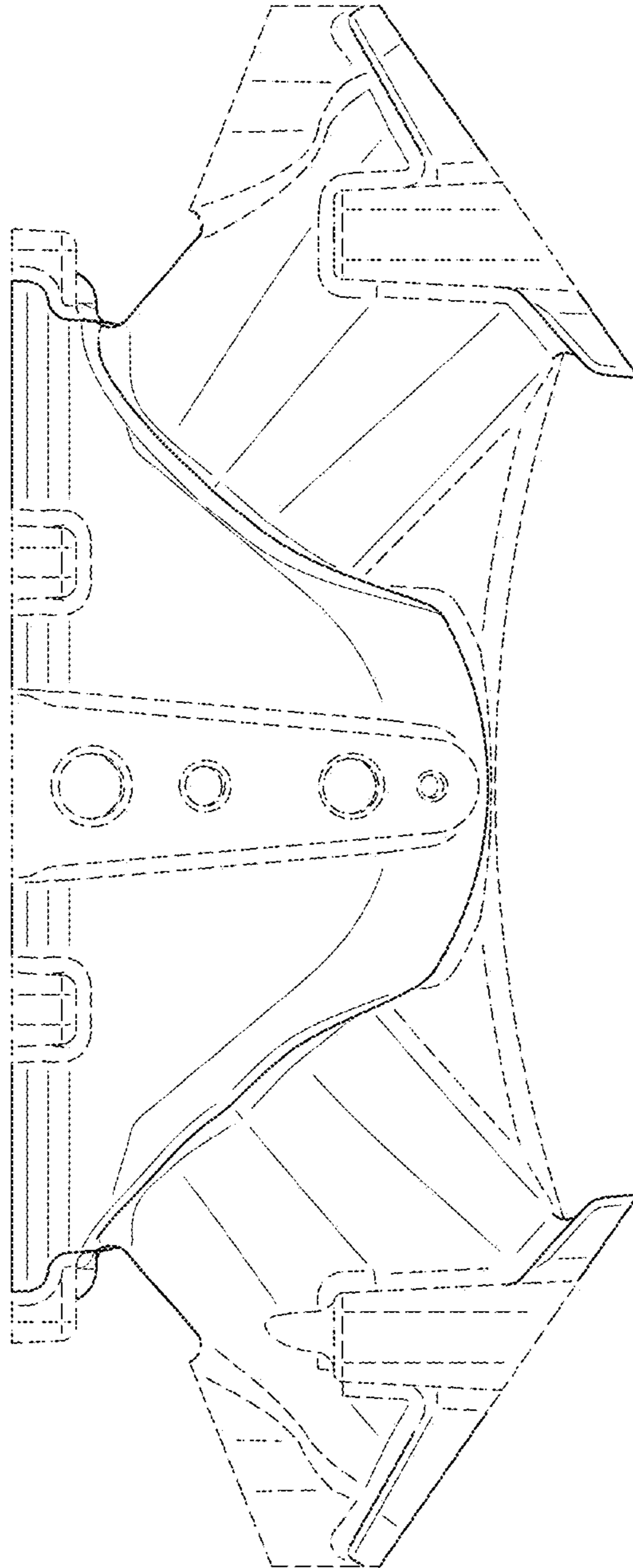


FIG. 8