

US00D967855S

(12) **United States Design Patent**
Wang et al.

(10) **Patent No.:** **US D967,855 S**
(45) **Date of Patent:** **** Oct. 25, 2022**

(54) **DISPLAY SCREEN WITH AN ANIMATED GRAPHICAL USER INTERFACE**

(71) Applicant: **Robert Bosch GmbH**, Stuttgart (DE)

(72) Inventors: **Lu Wang**, Shanghai (CN); **Giorgio Galanti**, Shanghai (CN); **Yao Pan**, Shanghai (CN); **Javier Riel Rosales**, Shanghai (CN)

(73) Assignees: **Bosch Automotive Products (Suzhou) Co. Ltd.**, Suzhou Jiangsu (CN); **Robert Bosch GmbH**, Stuttgart (DE)

(**) Term: **15 Years**

(21) Appl. No.: **29/767,045**

(22) Filed: **Jan. 20, 2021**

(30) **Foreign Application Priority Data**

Jul. 20, 2020 (CN) 202030392826.3

(51) **LOC (13) Cl.** **14-04**

(52) **U.S. Cl.**
USPC **D14/492**

(58) **Field of Classification Search**
USPC D14/485–495; D20/11; D21/324, 325
(Continued)

(56) **References Cited**

U.S. PATENT DOCUMENTS

D708,217 S * 7/2014 Clement D14/489
D709,093 S * 7/2014 Clement D14/489
(Continued)

OTHER PUBLICATIONS

“Car / automobile steering wheel or driving wheel flat vector icon for apps and websites” May 25, 2017, posted at shatterstock.com,

[site visited Jan. 15, 2022]. <https://www.shutterstock.com/image-vector/car-aatomobile-steering-wheel-driving-flat-495826939> (Year: 2017).*

Primary Examiner — John M Otte

(74) *Attorney, Agent, or Firm* — Maginot, Moore & Beck LLP

(57) **CLAIM**

The ornamental design for a display screen with an animated graphical user interface, as shown and described.

DESCRIPTION

Cross reference is made to copending U.S. design patent application Ser. No. 29/767,040 entitled “Steering Wheel” by Wang et al., which was filed on even date herewith; U.S. design patent application Ser. No. 29/767,042 entitled “Display Screen with an Animated Graphical User Interface” by Wang et al., which was filed on even date herewith; U.S. design patent application Ser. No. 29/767,044 entitled “Display Screen with an Animated Graphical User Interface” by Wang et al., which was filed on even date herewith; U.S. design patent application Ser. No. 29/767,046 entitled “Display Screen with an Animated Graphical User Interface” by Wang et al., which was filed on even date herewith; and U.S. design patent application Ser. No. 29/767,047 entitled “Display Screen with an Animated Graphical User Interface” by Wang et al., which was filed on even date herewith.

FIG. 1 is a front view of a first image in a sequence for a display screen with an animated graphical user interface showing our new design;

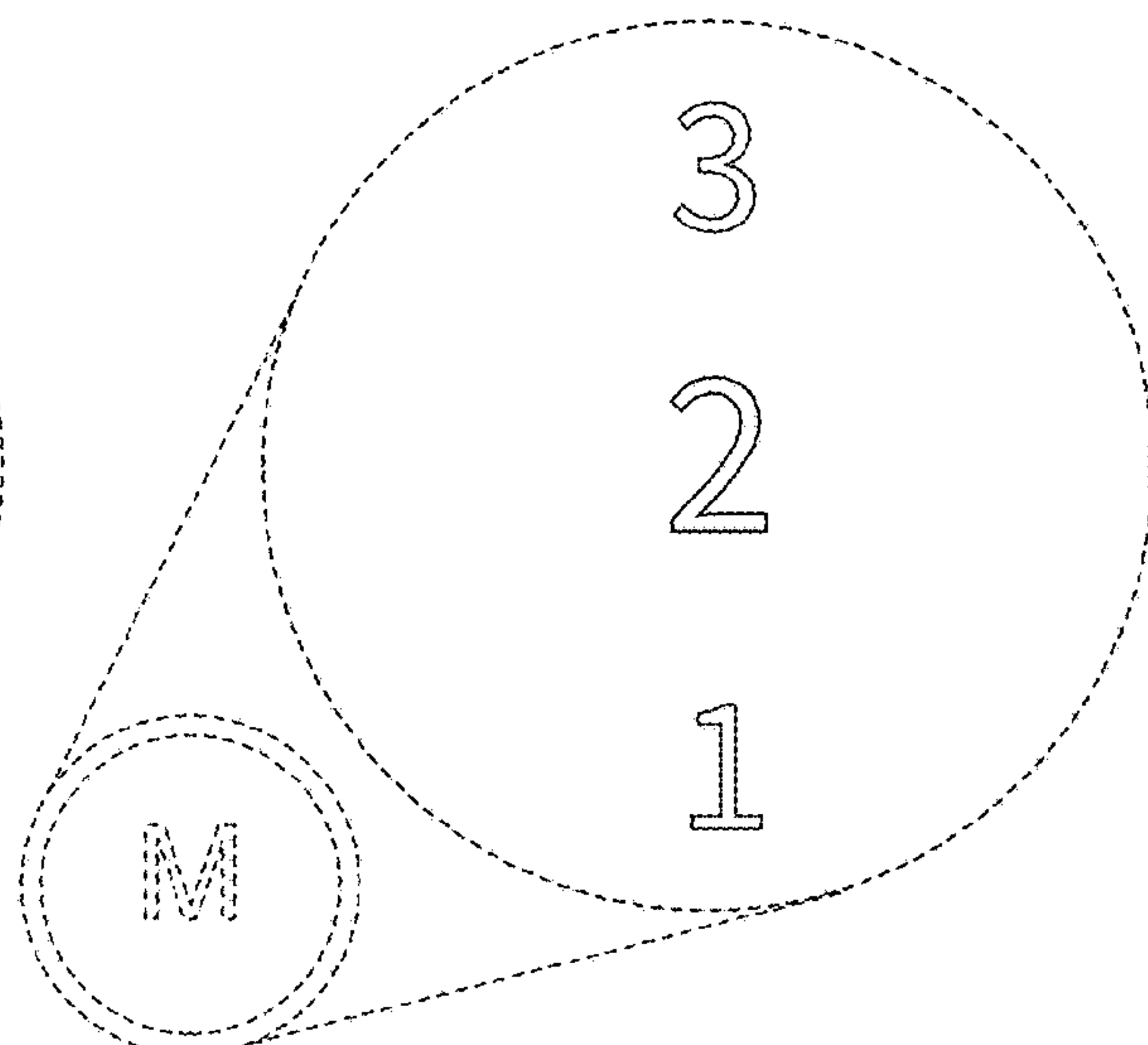
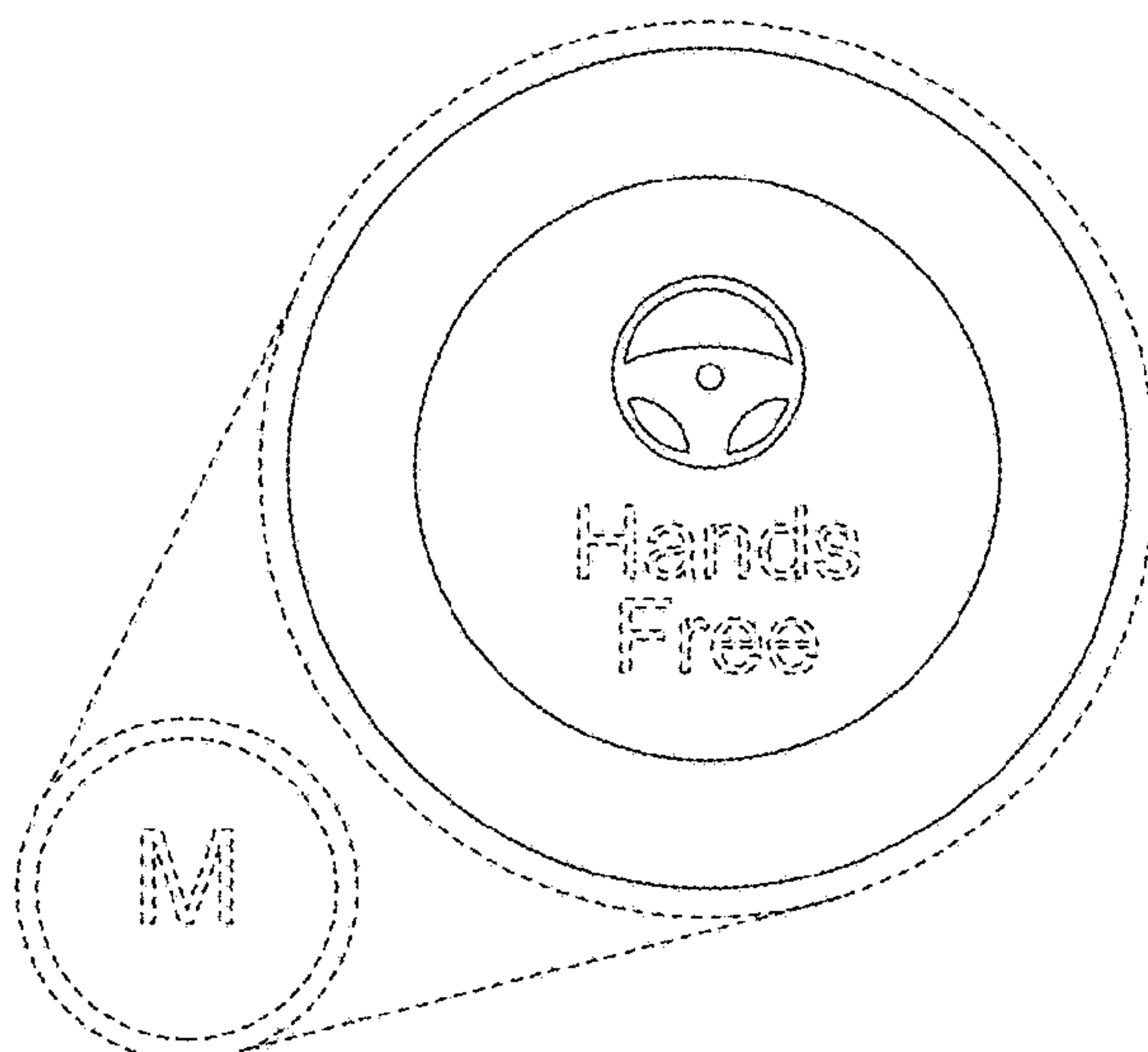
FIG. 2 is a second image thereof;

FIG. 3 is a third image thereof; and,

FIG. 4 is a fourth image thereof.

The appearance of the animated graphical user interface sequentially transitions between the images shown in FIGS. 1-4. The process or period in which one image transitions to another forms no part of the claimed design. The broken lines shown in the drawings illustrate the display screen and portions of the graphical user interface that form no part of the claimed design.

1 Claim, 2 Drawing Sheets



(58) **Field of Classification Search**
 CPC .. G06F 3/0481; G06F 3/04817; G06F 3/0482;
 G06F 3/0483; G06F 3/04842; G06F
 3/0485; G06F 3/04855; G06F 3/0486;
 G06F 3/0488; G06F 3/04886; G06F
 9/451; G06F 40/103; G06F 40/106; G06F
 40/189; G06F 40/191; G01C 21/3658;
 B60W 30/09; B60W 40/08; B60W 50/14;
 B60K 37/02

See application file for complete search history.

(56) **References Cited**

U.S. PATENT DOCUMENTS

D729,826 S * 5/2015 Clement D14/486
 D730,372 S * 5/2015 Mariet D14/486
 D730,922 S * 6/2015 Clement D14/486
 D734,343 S * 7/2015 Yamasaki D14/485

D746,836 S * 1/2016 Mariet D14/486
 D749,107 S * 2/2016 Amiya D14/486
 D766,282 S * 9/2016 Kaplan D14/486
 D769,890 S * 10/2016 Jang D14/485
 D772,274 S * 11/2016 Mariet D14/486
 9,501,058 B1 * 11/2016 Mariet B60W 50/14
 D828,844 S * 9/2018 Nobuta D14/485
 D831,693 S * 10/2018 Hong D14/486
 D844,028 S * 3/2019 Dellinger D14/492
 D868,110 S * 11/2019 Imaishi D14/495
 10,589,751 B2 * 3/2020 Nagy B60W 30/09
 D916,876 S * 4/2021 Elia D14/488
 D922,411 S * 6/2021 Kögler D14/485
 D934,279 S * 10/2021 Kögler D14/485
 2013/0151145 A1 * 6/2013 Ishikawa G01C 21/3658
 701/428
 2016/0139724 A1 * 5/2016 Miller B60K 37/02
 345/173
 2018/0334175 A1 * 11/2018 Boule B60W 40/08

* cited by examiner

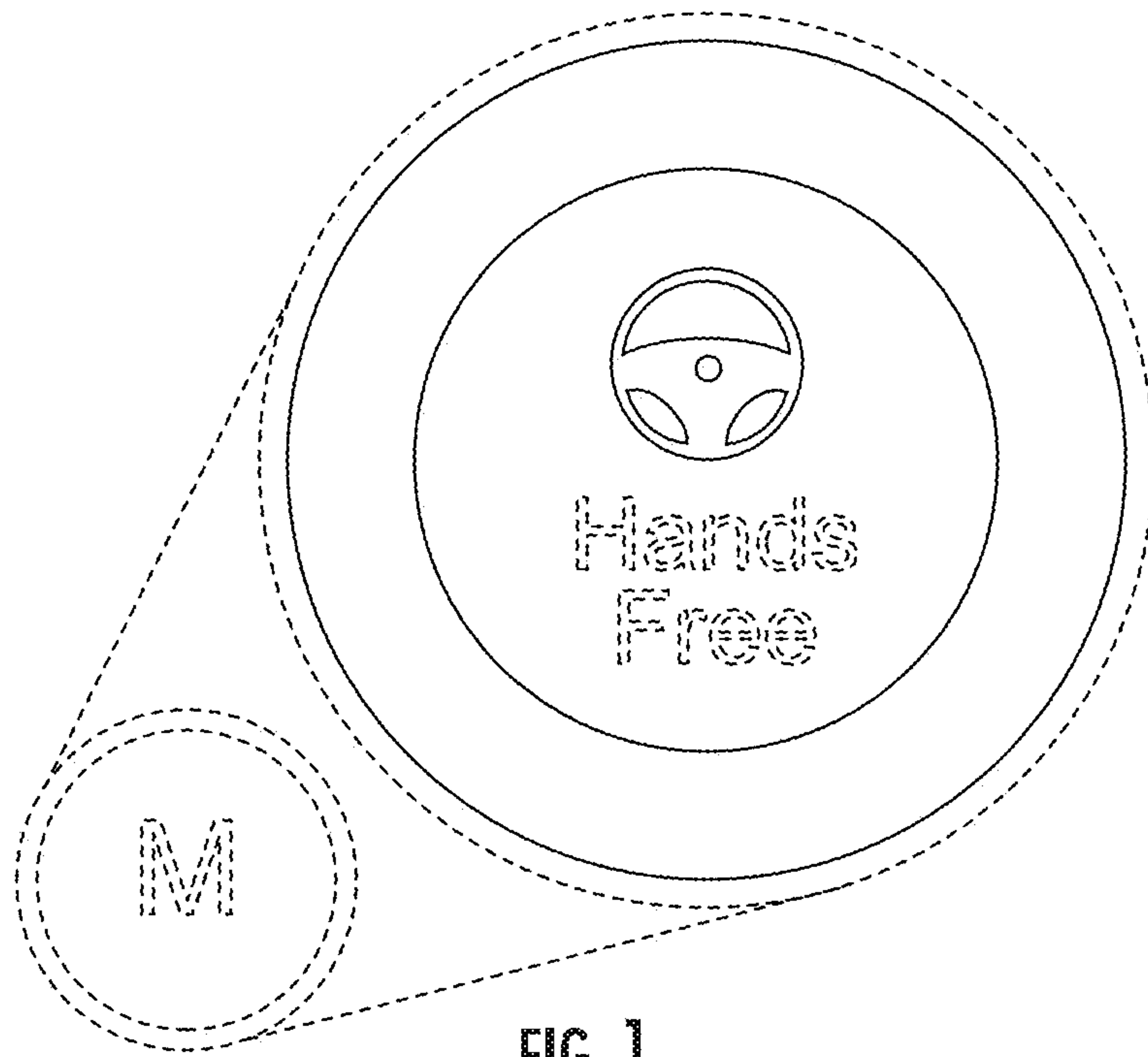


FIG. 1

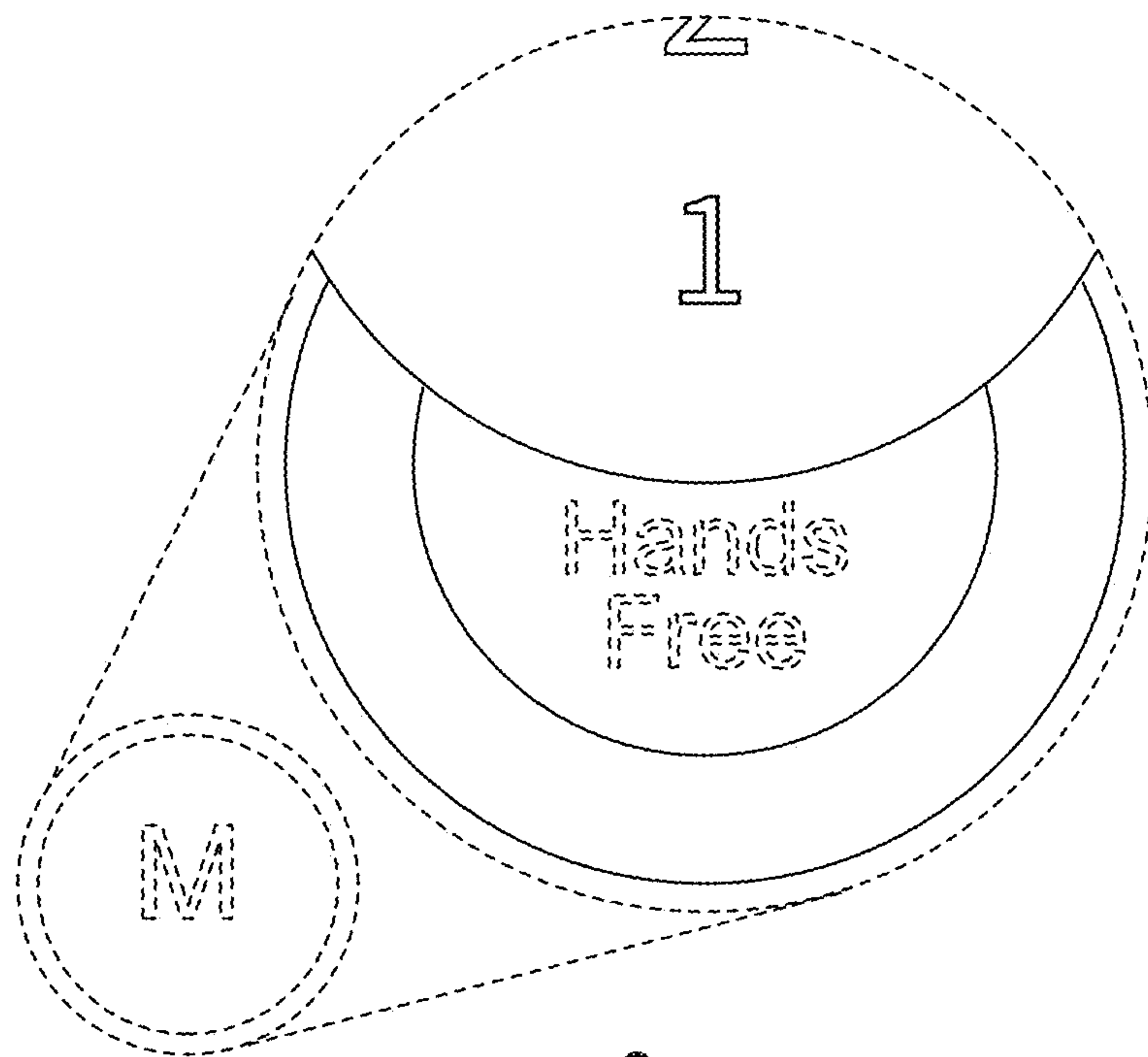


FIG. 2

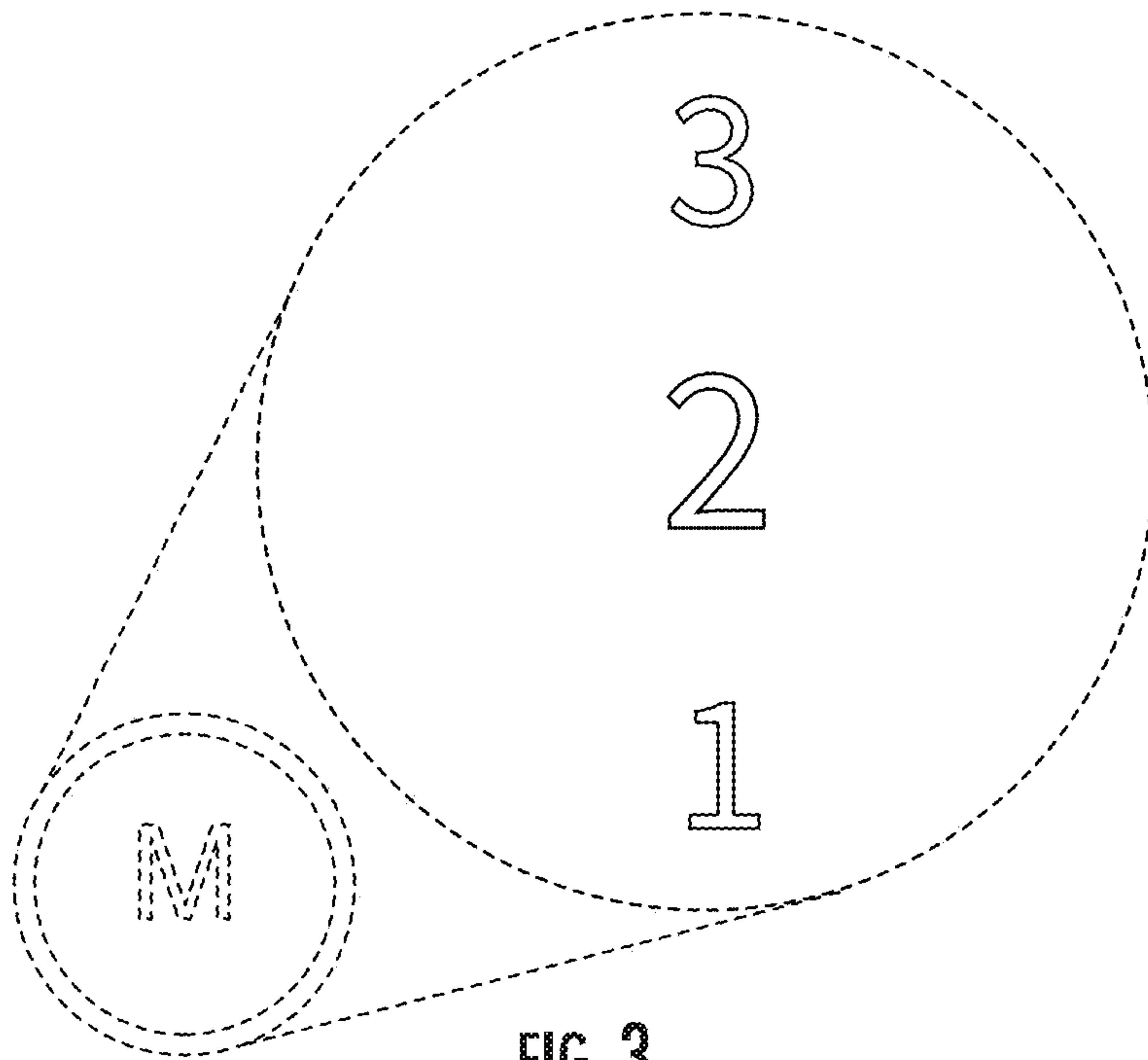


FIG. 3

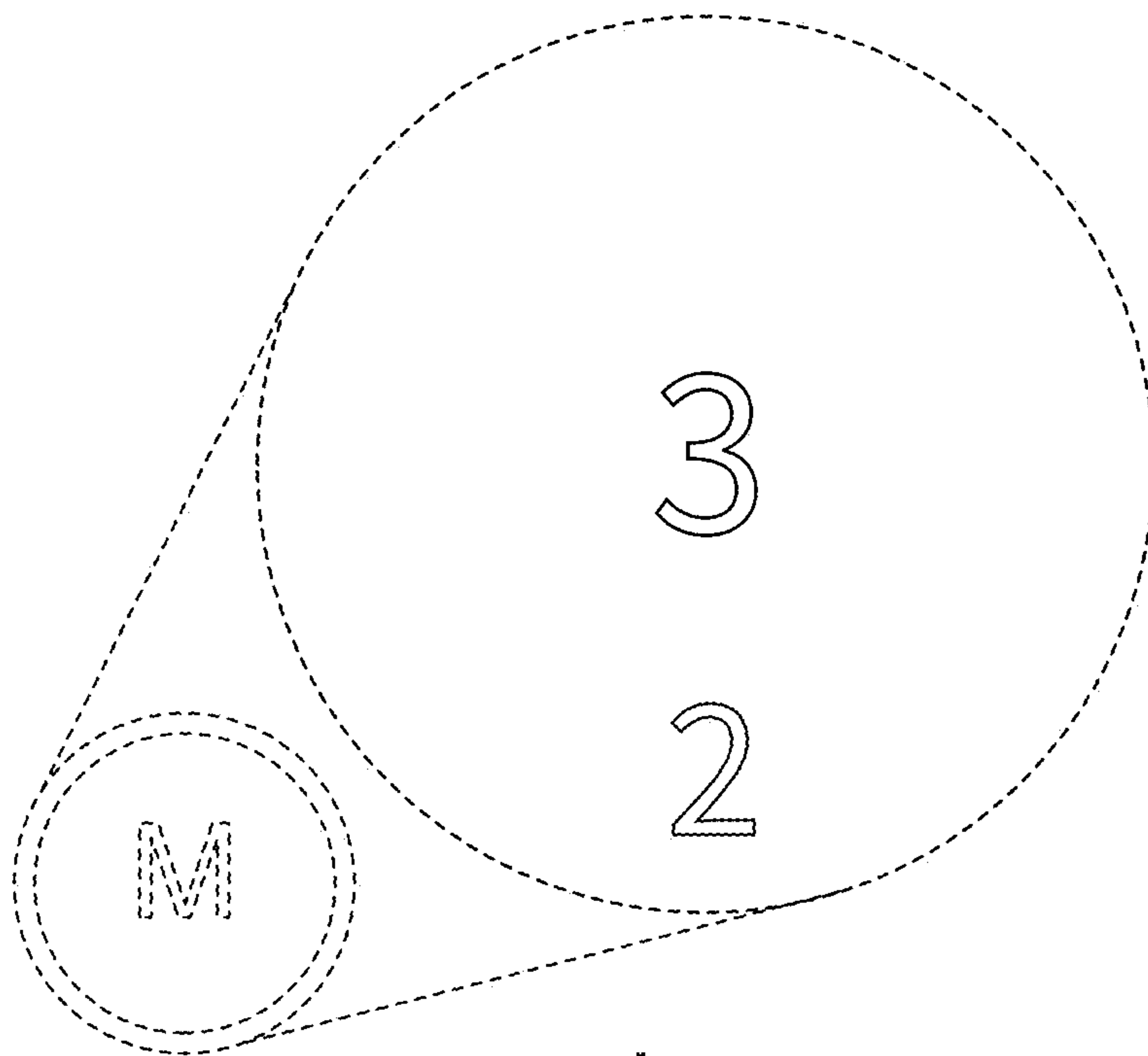


FIG. 4

UNITED STATES PATENT AND TRADEMARK OFFICE
CERTIFICATE OF CORRECTION

PATENT NO. : D967,855 S
APPLICATION NO. : 29/767045
DATED : October 25, 2022
INVENTOR(S) : Wang et al.

Page 1 of 1

It is certified that error appears in the above-identified patent and that said Letters Patent is hereby corrected as shown below:

On the Title Page

Under Item (56) References Cited, under the subheading "OTHER PUBLICATIONS":

At Line 2: "forapps" should read --for apps--;

At Line 2: "shatterstock.com" should read --shutterstock.com--;

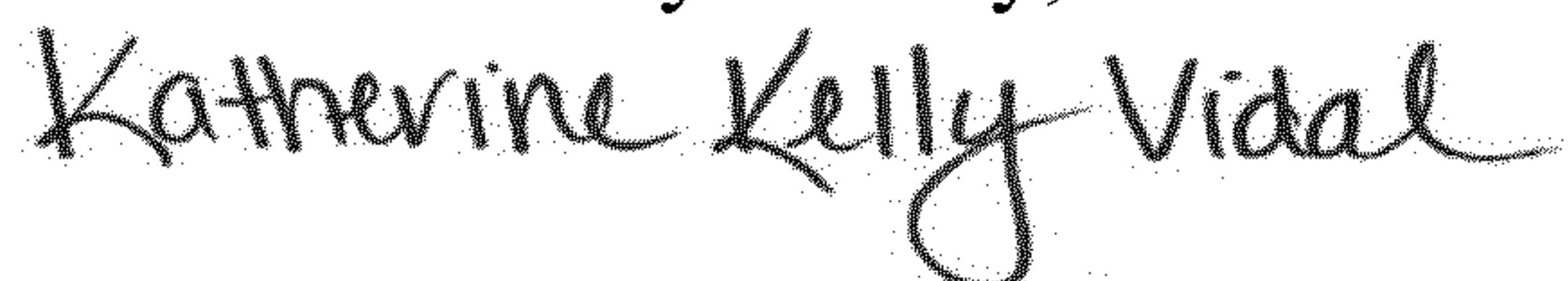
At Line 3: "Jan. 15, 2022" should read --June 15, 2022--;

At Line 3: "www.shatterstock.com" should read --www.shutterstock.com--; and

At Line 4: "car-aatomobile-steering" should read --car-automobile-steering--.

On Page 2, under Item (56) References Cited, under the subheading "U.S. PATENT DOCUMENTS",
in the right column at Line 4: "Jang" should read --Jung--.

Signed and Sealed this
Second Day of May, 2023



Katherine Kelly Vidal
Director of the United States Patent and Trademark Office