



US00D967854S

(12) **United States Design Patent**  
**Wang et al.**

(10) **Patent No.:** **US D967,854 S**  
(45) **Date of Patent:** **\*\* Oct. 25, 2022**

(54) **DISPLAY SCREEN WITH AN ANIMATED GRAPHICAL USER INTERFACE**

(71) Applicant: **Robert Bosch GmbH**, Stuttgart (DE)

(72) Inventors: **Lu Wang**, Shanghai (CN); **Giorgio Galanti**, Shanghai (CN); **Yao Pan**, Shanghai (CN); **Javier Riel Rosales**, Shanghai (CN)

(73) Assignees: **Bosch Automotive Products (Suzhou) Co. Ltd.**, Jiangsu (CN); **Robert Bosch GmbH**, Stuttgart (DE)

(\*\*) Term: **15 Years**

(21) Appl. No.: **29/767,044**

(22) Filed: **Jan. 20, 2021**

(30) **Foreign Application Priority Data**

Jul. 20, 2020 (CN) ..... 202030392959.0

(51) **LOC (13) Cl.** ..... **14-04**

(52) **U.S. Cl.**  
USPC ..... **D14/492**

(58) **Field of Classification Search**  
USPC ..... D14/485-495; D20/11; D21/324, 325  
(Continued)

(56) **References Cited**

**U.S. PATENT DOCUMENTS**

D681,052 S \* 4/2013 Woo ..... D14/492  
D708,217 S \* 7/2014 Clement ..... D14/489  
(Continued)

**OTHER PUBLICATIONS**

“Car / automobile steering wheel or driving wheel flat vector icon for apps and websites” May 25, 2017, posted at shutterstock.com, [site visited Jan. 15, 2022]. <https://www.shutterstock.com/image-vector/car-automobile-steering-wheel-driving-flat-495826939> (Year: 2017).\*

*Primary Examiner* — John M Otte  
(74) *Attorney, Agent, or Firm* — Maginot, Moore & Beck LLP

(57) **CLAIM**

The ornamental design for a display screen with an animated graphical user interface, as shown and described.

**DESCRIPTION**

Cross reference is made to copending U.S. design patent application Ser. No. 29/767,040 entitled “Steering Wheel” by Wang et al., which was filed on even date herewith; U.S. design patent application Ser. No. 29/767,042 entitled “Display Screen with an Animated Graphical User Interface” by Wang et al., which was filed on even date herewith; U.S. design patent application Ser. No. 29/767,045 entitled “Display Screen with an Animated Graphical User Interface” by Wang et al., which was filed on even date herewith; U.S. design patent application Ser. No. 29/767,046 entitled “Display Screen with an Animated Graphical User Interface” by Wang et al., which was filed on even date herewith; and U.S. design patent application Ser. No. 29/767,047 entitled “Display Screen with an Animated Graphical User Interface” by Wang et al., which was filed on even date herewith.

FIG. 1 is a front view of a first image in a sequence for a display screen with an animated graphical user interface showing our new design;

FIG. 2 is a second image thereof;

FIG. 3 is a third image thereof;

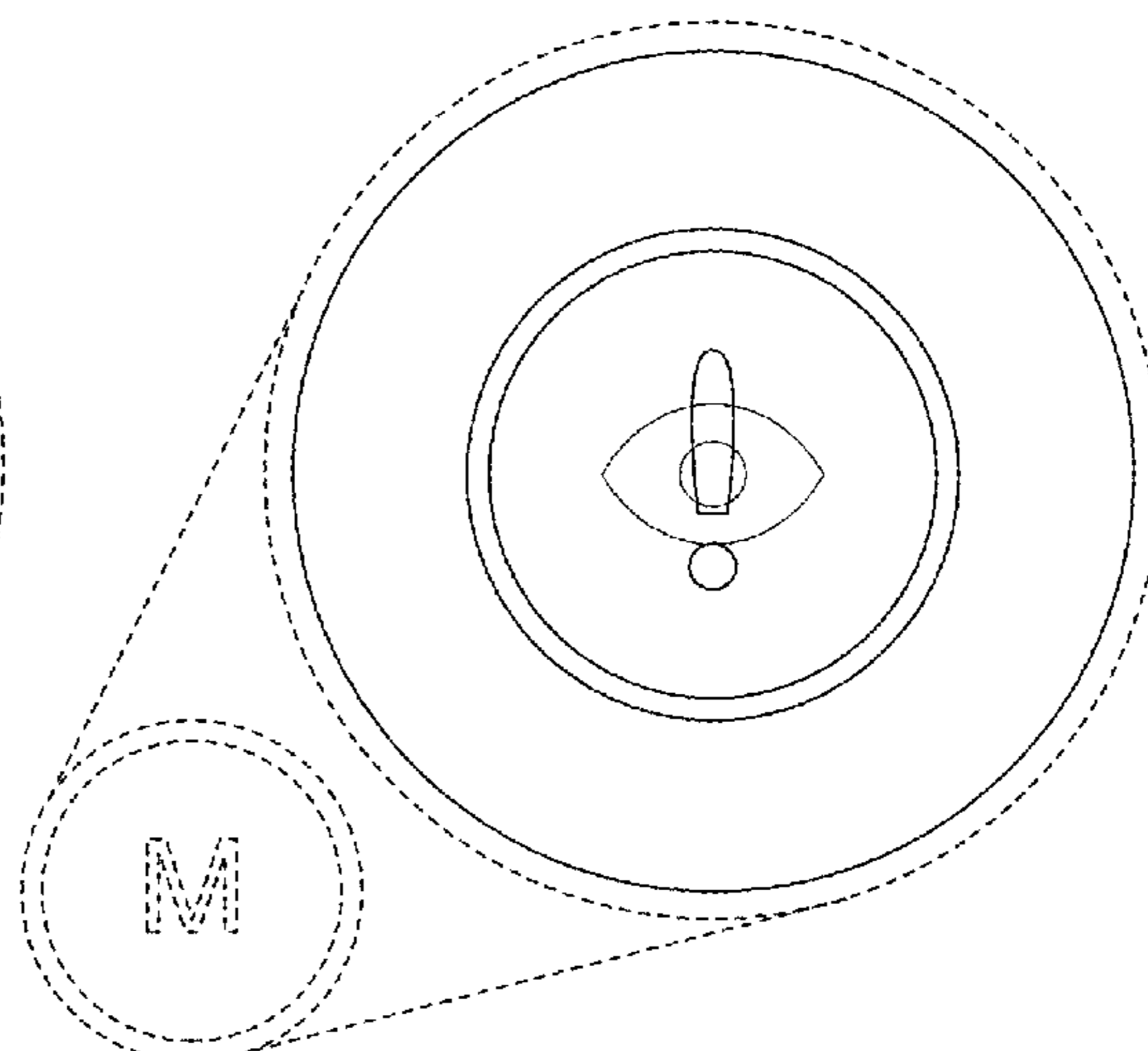
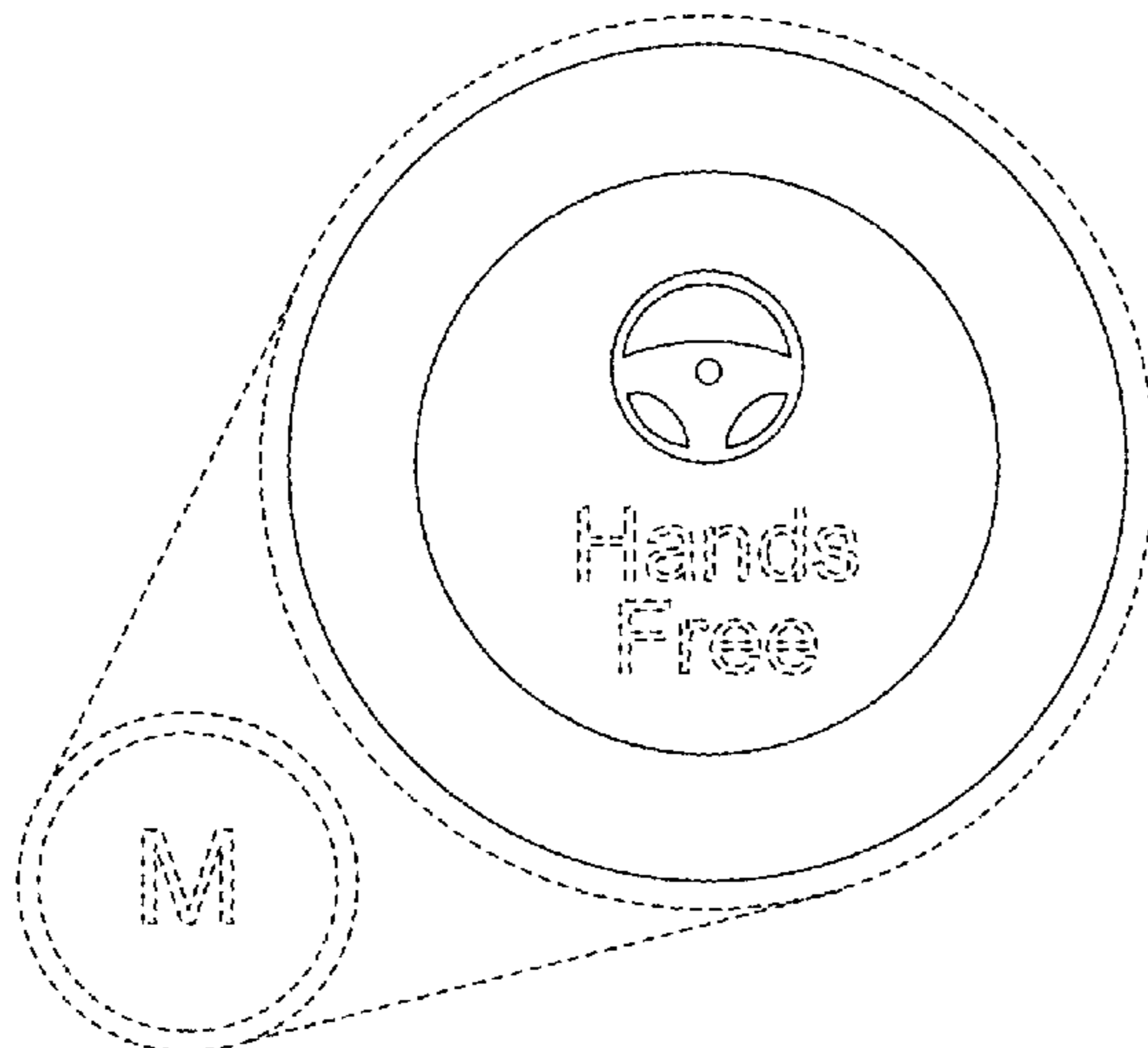
FIG. 4 is a fourth image thereof;

FIG. 5 is a fifth image thereof; and,

FIG. 6 is a sixth image thereof.

The appearance of the animated graphical user interface sequentially transitions between the images shown in FIGS. 1-6. The process or period in which one image transitions to another forms no part of the claimed design. The broken lines shown in the drawings illustrate the display screen and portions of the graphical user interface that form no part of the claimed design.

**1 Claim, 3 Drawing Sheets**



(58) **Field of Classification Search**

CPC .. G06F 3/0481; G06F 3/04817; G06F 3/0482;  
 G06F 3/0483; G06F 3/04842; G06F  
 3/0485; G06F 3/04855; G06F 3/0486;  
 G06F 3/0488; G06F 3/04886; G06F  
 9/451; G06F 40/103; G06F 40/106; G06F  
 40/189; G06F 40/191; G01C 21/3658;  
 B60W 30/09; B60W 40/08; B60W 50/14;  
 B60K 37/02

See application file for complete search history.

(56) **References Cited**

U.S. PATENT DOCUMENTS

D709,093 S \* 7/2014 Clement ..... D14/489  
 D729,826 S \* 5/2015 Clement ..... D14/486  
 D729,836 S \* 5/2015 Lee ..... D14/487  
 D730,372 S \* 5/2015 Mariet ..... D14/486  
 D730,922 S \* 6/2015 Clement ..... D14/486

D734,343 S \* 7/2015 Yamasaki ..... D14/485  
 D746,836 S \* 1/2016 Mariet ..... D14/486  
 D757,746 S \* 5/2016 Lee ..... D14/485  
 D769,890 S \* 10/2016 Jang ..... D14/485  
 D772,274 S \* 11/2016 Mariet ..... D14/486  
 9,501,058 B1 \* 11/2016 Mariet ..... B60W 50/14  
 D828,844 S \* 9/2018 Nobuta ..... D14/485  
 D844,028 S \* 3/2019 Dellinger ..... D14/492  
 D868,110 S \* 11/2019 Imaishi ..... D14/495  
 10,589,751 B2 \* 3/2020 Nagy ..... B60W 30/09  
 10,726,547 B2 \* 7/2020 Farchione ..... G16H 40/60  
 D914,038 S \* 3/2021 Cazamias ..... D14/485  
 D916,876 S \* 4/2021 Elia ..... D14/488  
 D922,411 S \* 6/2021 Kögler ..... D14/485  
 D934,279 S \* 10/2021 Kögler ..... D14/485  
 2013/0151145 A1 \* 6/2013 Ishikawa ..... G01C 21/3658  
 701/428  
 2016/0139724 A1 \* 5/2016 Miller ..... B60K 37/02  
 345/173  
 2018/0334175 A1 \* 11/2018 Boule ..... B60W 40/08

\* cited by examiner

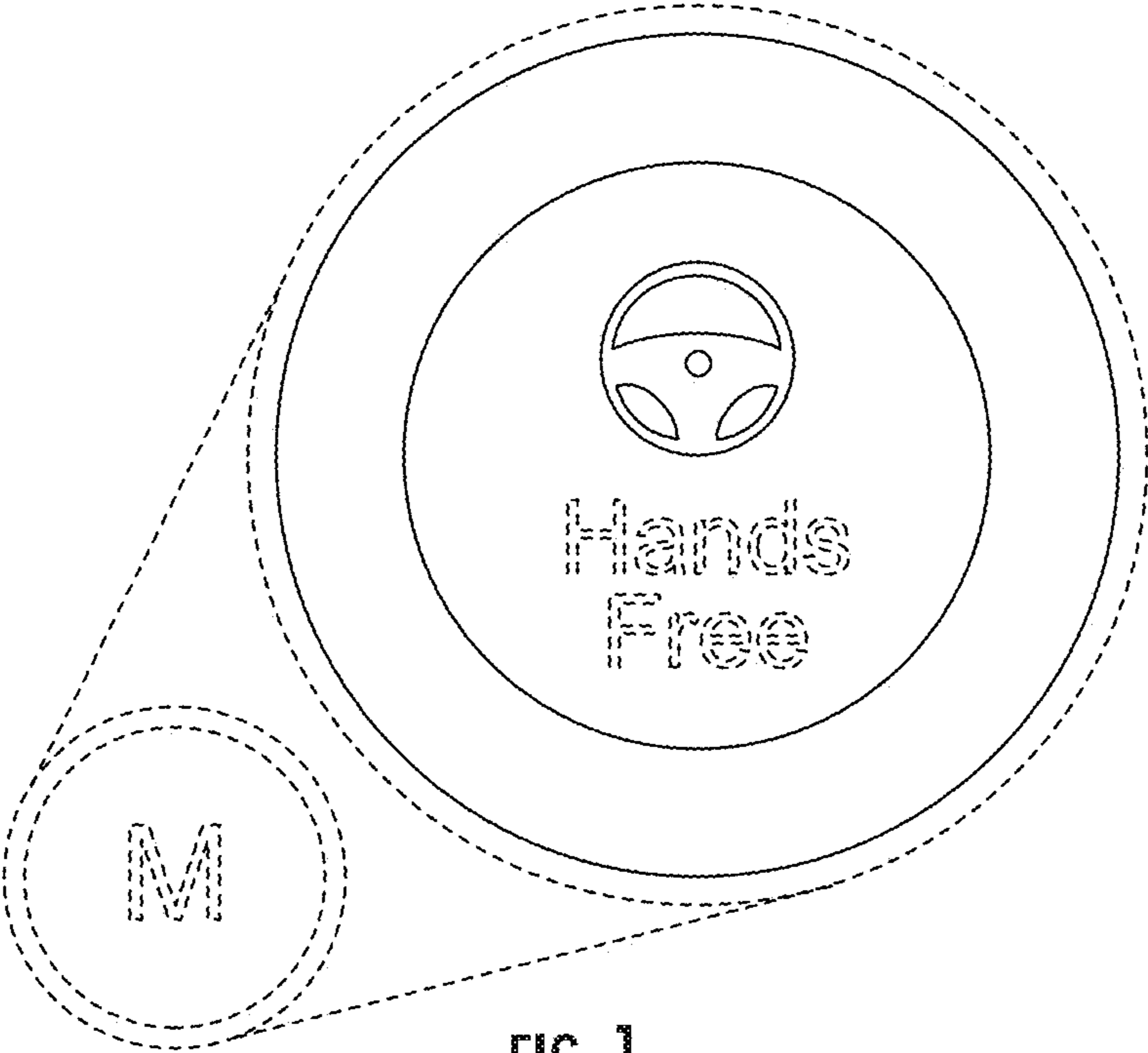


FIG. 1

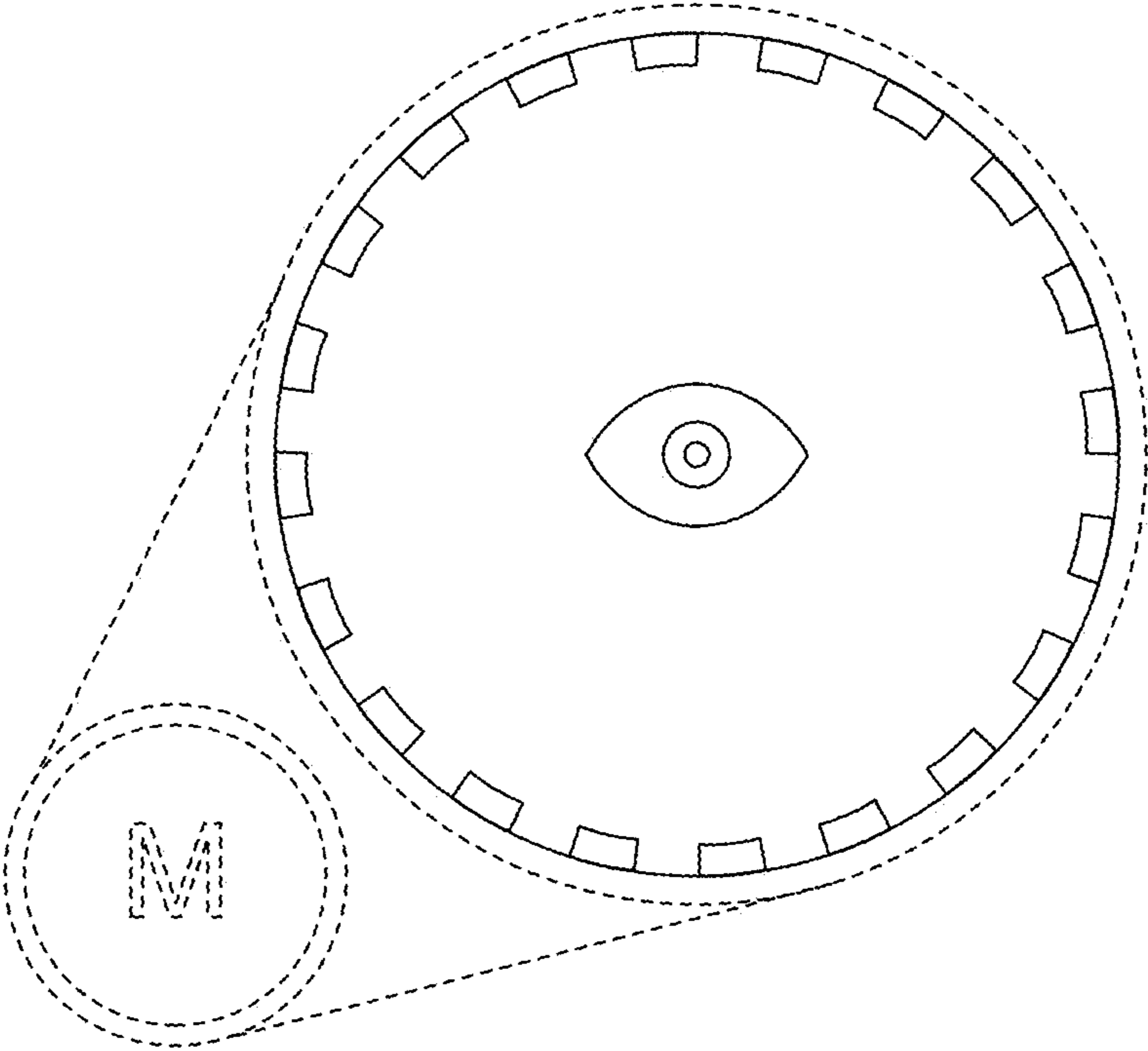


FIG. 2

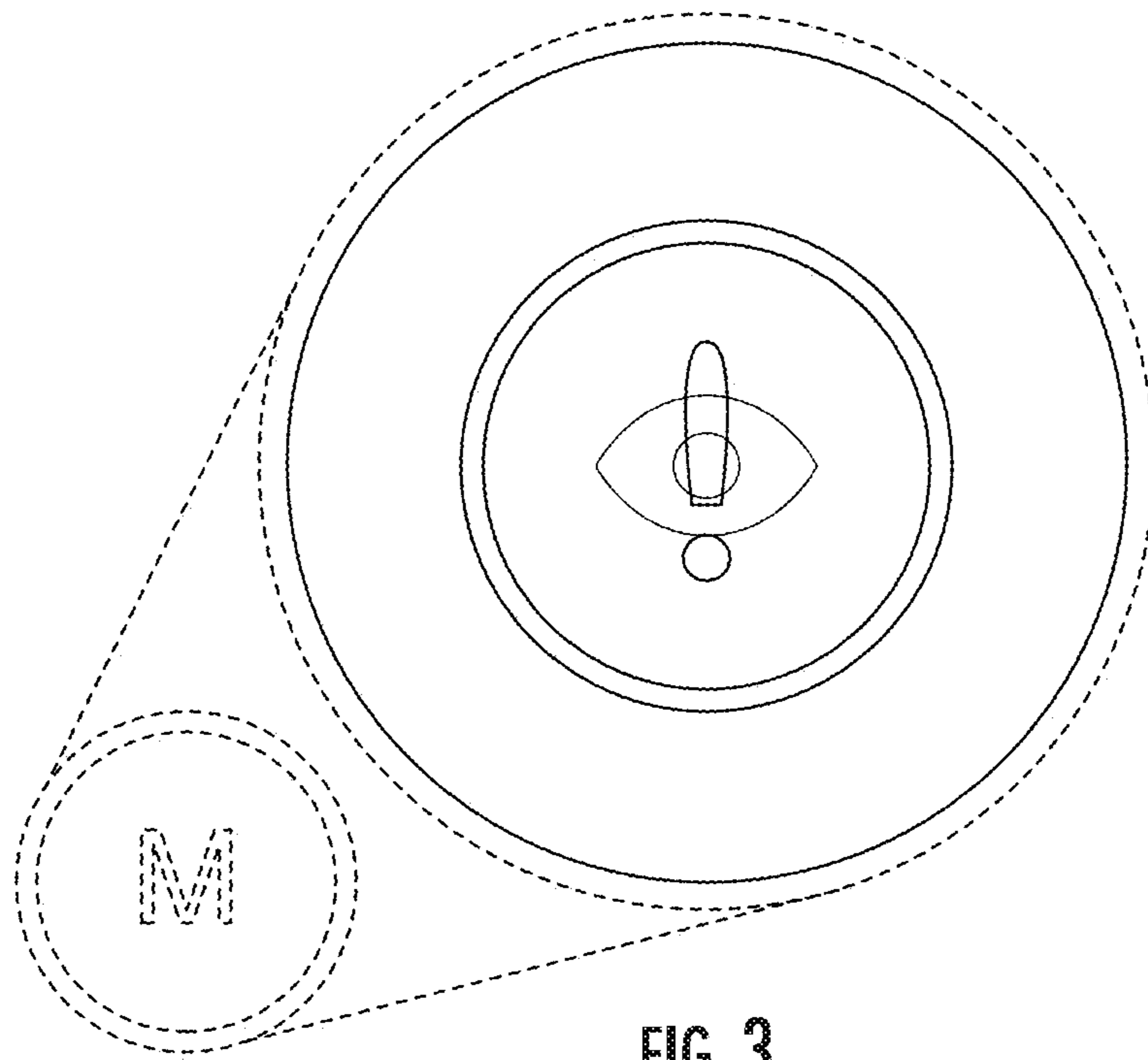


FIG. 3

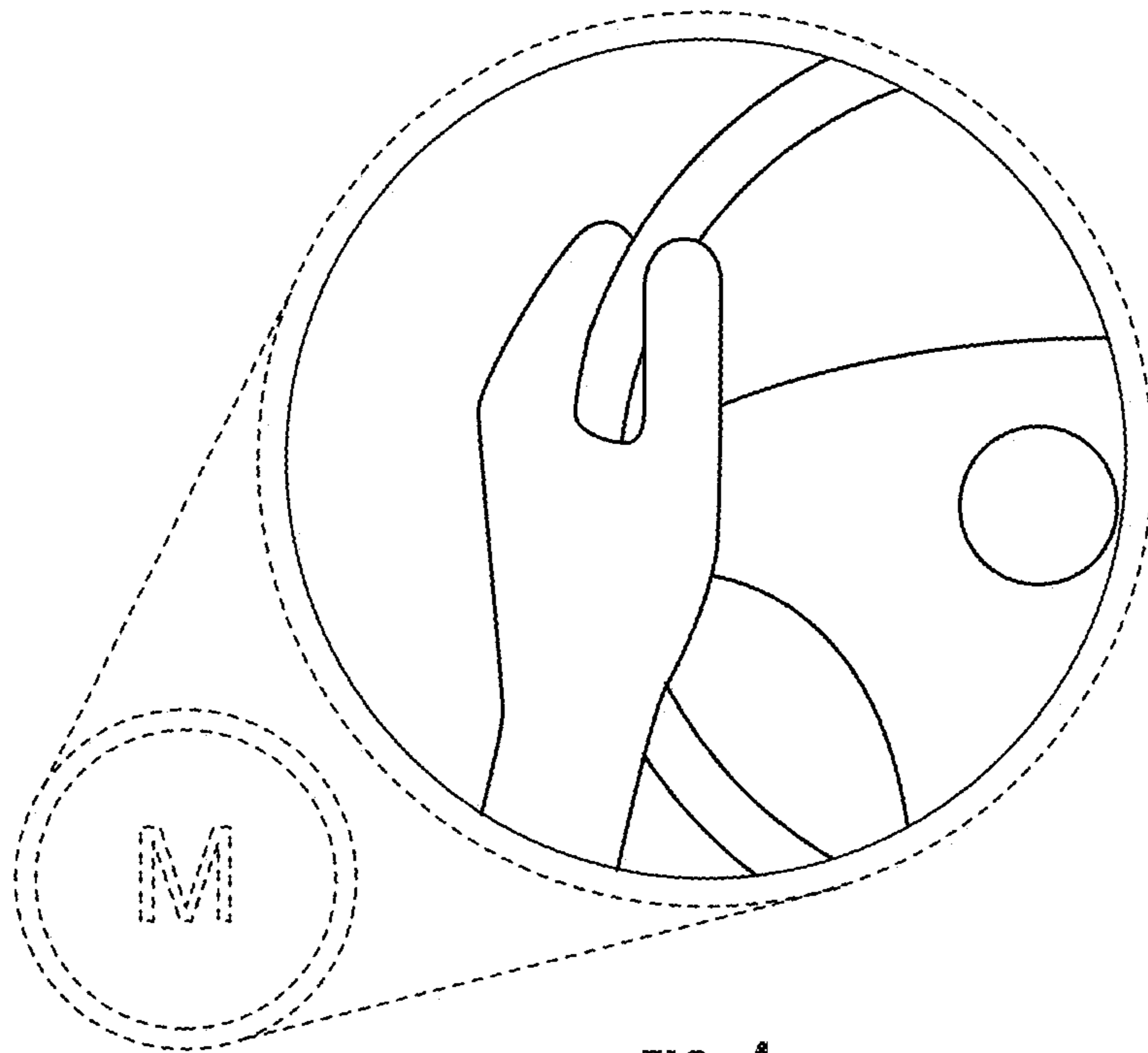


FIG. 4

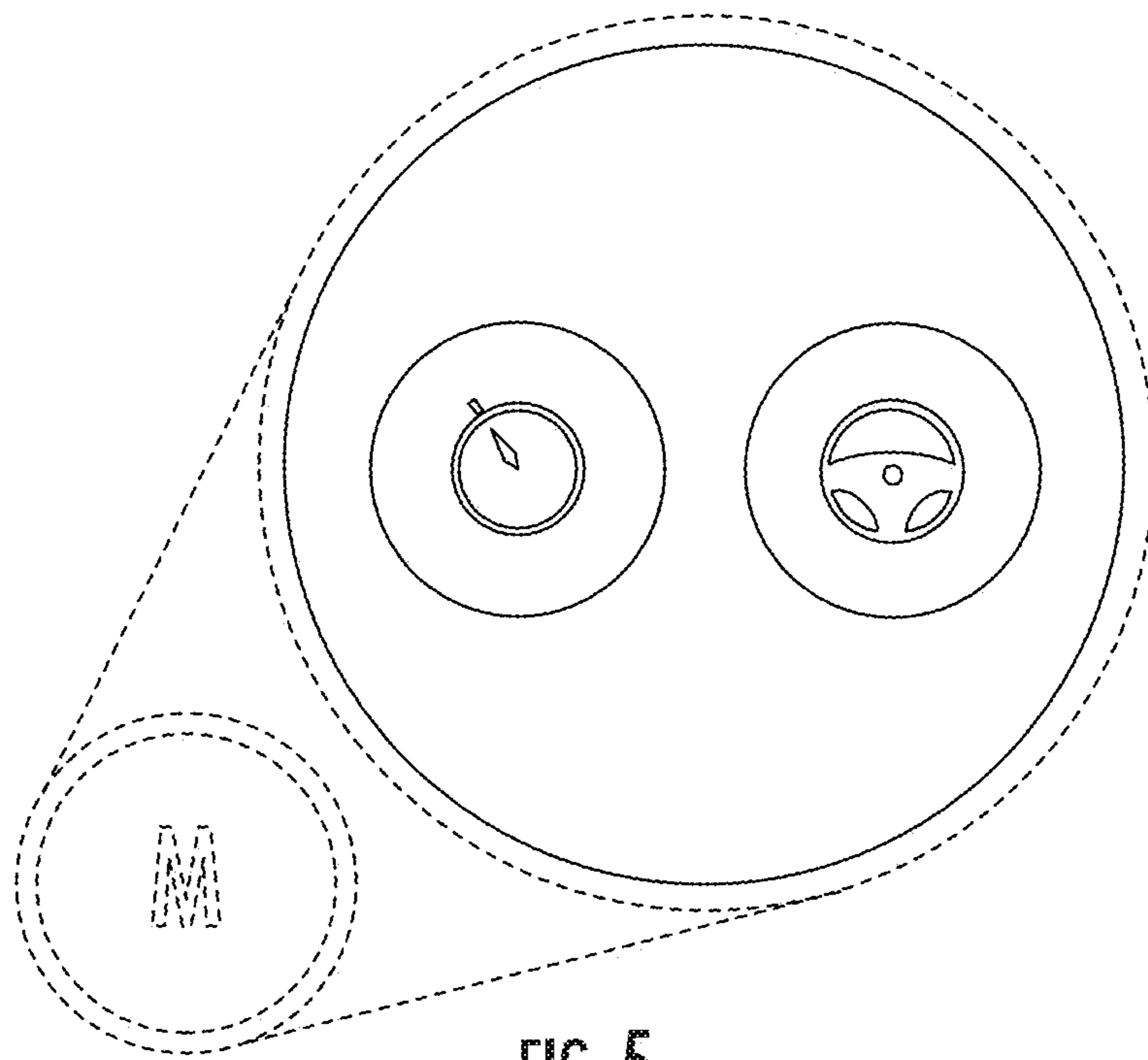


FIG. 5

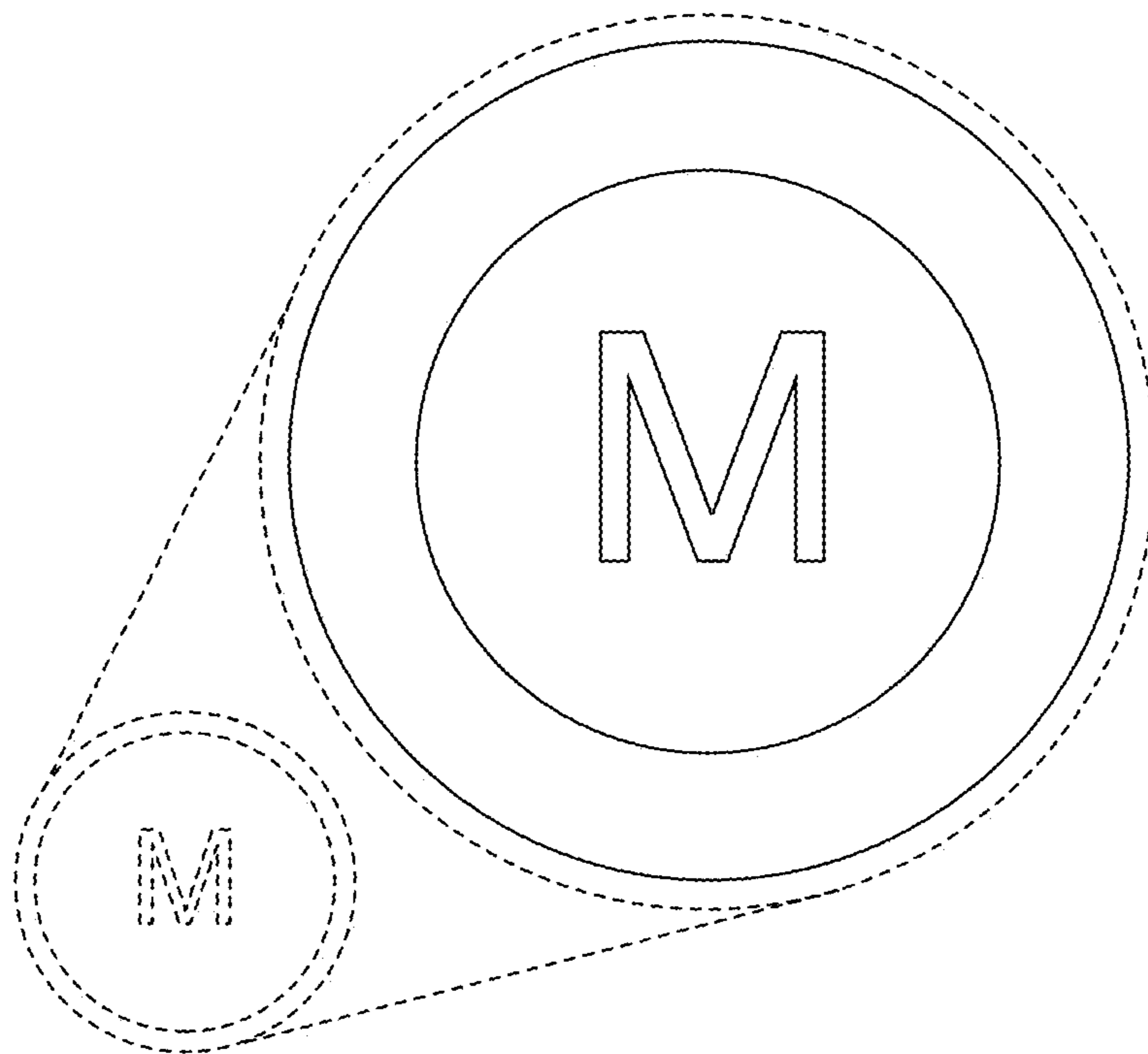


FIG. 6

UNITED STATES PATENT AND TRADEMARK OFFICE  
**CERTIFICATE OF CORRECTION**

PATENT NO. : D967,854 S  
APPLICATION NO. : 29/767044  
DATED : October 25, 2022  
INVENTOR(S) : Wang et al.

Page 1 of 1

It is certified that error appears in the above-identified patent and that said Letters Patent is hereby corrected as shown below:

On the Title Page

Under Item (56) References Cited, under the subheading "OTHER PUBLICATIONS":

At Line 1: "wheel ordriving wheel" should read --wheel or driving wheel--;

At Line 2: "shatterstock.com" should read --shutterstock.com--;

At Line 3: "Jan. 15, 2022" should read --June 15, 2022--;

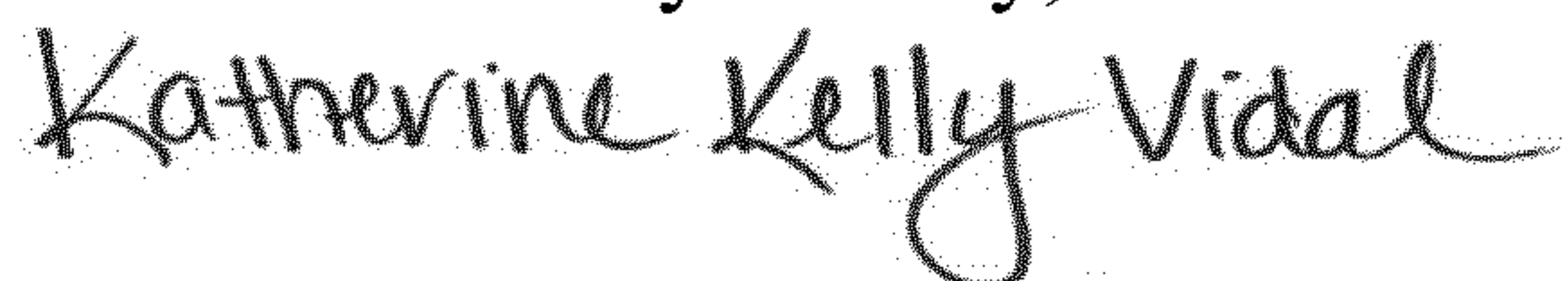
At Line 3: "www.shatterstock.com" should read --www.shutterstock.com--; and

At Line 4: "car-aatomobile-steering" should read --car-automobile-steering--.

On Page 2, under Item (56) References Cited, under the subheading "U.S. PATENT DOCUMENTS",  
in the right column:

At Line 4: "Jang" should read --Jung--.

Signed and Sealed this  
Second Day of May, 2023



Katherine Kelly Vidal  
*Director of the United States Patent and Trademark Office*