



US00D967852S

(12) **United States Design Patent** (10) **Patent No.:** **US D967,852 S**
Jansen et al. (45) **Date of Patent:** **** Oct. 25, 2022**

(54) **DISPLAY SCREEN OR PORTION THEREOF WITH ANIMATED GRAPHICAL USER INTERFACE**

(71) Applicant: **KONINKLIJKE PHILIPS N.V.**, Eindhoven (NL)

(72) Inventors: **Johannes Antonius Jansen**, Utrecht (NL); **Riccardo Vescovo**, Amsterdam (NL)

(73) Assignee: **KONINKLIJKE PHILIPS N.V.**, Eindhoven (NL)

(**) Term: **15 Years**

(21) Appl. No.: **29/836,478**

(22) Filed: **Apr. 27, 2022**

Related U.S. Application Data

(62) Division of application No. 29/726,211, filed on Mar. 2, 2020, now Pat. No. Des. 952,679.

(30) **Foreign Application Priority Data**

Sep. 2, 2019 (EM) 006809182

(51) **LOC (13) Cl.** **14-04**

(52) **U.S. Cl.**
USPC **D14/489**

(58) **Field of Classification Search**

USPC D14/485-495
CPC H04N 21/4312; H04N 21/478; H04N 5/23293; B26B 19/388; B26B 19/3873; A63B 24/00; G06F 17/211; G06F 17/212; G06F 3/048; G06F 3/0481; G06F 3/04817; G06F 3/0482; G06F 3/0483; G06F 3/04842; G06F 3/0485; G06F 3/04855; G06F 3/0486; G06F 3/0488; G06F 3/04886;

(Continued)

(56) **References Cited**

U.S. PATENT DOCUMENTS

D594,873 S * 6/2009 Onodera D14/488
D608,789 S * 1/2010 Kaczmarek D14/491

(Continued)

OTHER PUBLICATIONS

Iker, Aaron "Download button" Dec. 23, 2019, Dribbble, site visited Oct. 28, 2021: <https://dribbble.com/shots/9143098-Download-button> (Year: 2019).*

(Continued)

Primary Examiner — Katherine A Holbrow

Assistant Examiner — Christopher M Spivey

(57) **CLAIM**

The ornamental design for a display screen or portion thereof with animated graphical user interface, as shown and described.

DESCRIPTION

FIG. 1 is a front view of a first image in a sequence of a display screen or portion thereof with animated graphical user interface, showing our new design;

FIG. 2 is a front view of a second image thereof;

FIG. 3 is a front view of a third image thereof;

FIG. 4 is a front view of a fourth image thereof;

FIG. 5 is a front view of a fifth image thereof;

FIG. 6 is a front view of a sixth image thereof; and,

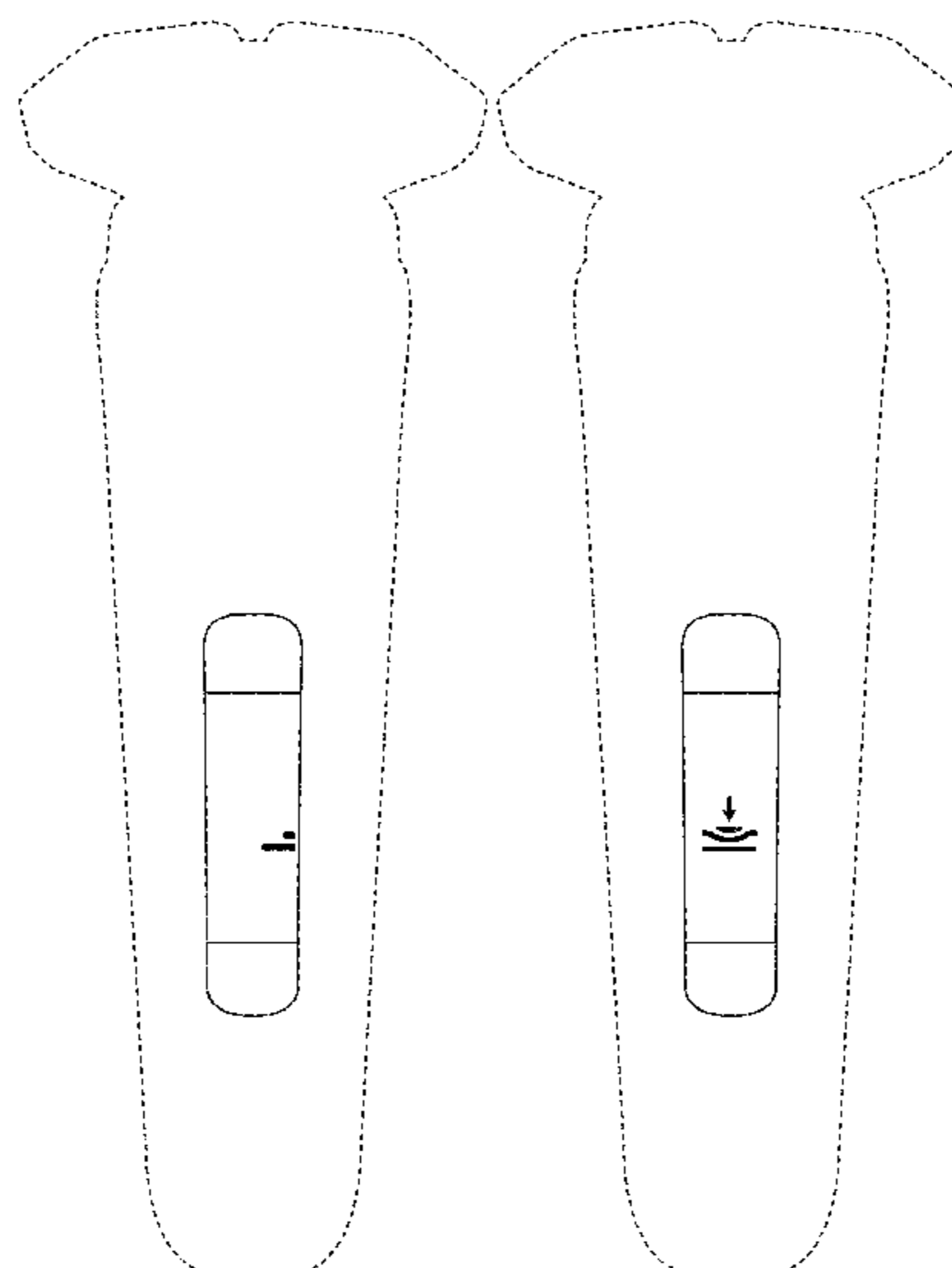
FIG. 7 is a front view of a seventh image thereof.

The appearance of the animated graphical user interface sequentially transitions between the images shown in FIGS.

1-7. The process or period in which an image transitions to another image forms no part of the claimed design.

The broken line showing of a device is for the purpose of illustrating portions of an exemplary article onto which the display screen is positioned, and forms no part of the claimed design.

1 Claim, 7 Drawing Sheets



(58) **Field of Classification Search**

CPC G06F 9/4443; G06F 1/163; G06F 1/3265;
A46B 15/001; A45D 44/005; G06T
7/0014; H04M 1/0268; H04M 1/72427

See application file for complete search history.

D949,878 S * 4/2022 Bello D14/485
D952,649 S * 5/2022 Jansen D14/485
D952,675 S * 5/2022 Lynch D14/488
D952,679 S * 5/2022 Jansen D14/489
2018/0085953 A1* 3/2018 Perez Lopez B26B 19/06

(56)

References Cited

U.S. PATENT DOCUMENTS

D686,246 S * 7/2013 Gardner D14/491
D739,417 S * 9/2015 Laverack D14/485
D761,317 S * 7/2016 Tursi D14/491
D761,855 S * 7/2016 Oh D14/491
D767,624 S * 9/2016 Lee D14/488
D824,420 S * 7/2018 Dellinger D14/489
D851,122 S * 6/2019 Shu D14/491
D855,646 S * 8/2019 Höhne D14/487
D875,133 S * 2/2020 Wang D14/488
D879,141 S * 3/2020 Voiles D14/489
D883,311 S * 5/2020 Lepine D14/486
D894,223 S * 8/2020 Paul D14/488
D900,156 S * 10/2020 Huh D14/492
D907,647 S * 1/2021 Siebel D14/485
D914,745 S * 3/2021 Groce D14/488
D916,790 S * 4/2021 Yan D14/486
D916,792 S * 4/2021 Yan D14/486
D917,499 S * 4/2021 Rando D14/485
D940,188 S * 1/2022 Francis D14/488

OTHER PUBLICATIONS

“Elastic Icon” Sep. 27, 2018, DepositPhotos, site visited Oct. 28, 2021: <https://depositphotos.com/216873078/stock-illustration-elastic-icon-elastic-concept-symbol.html> (Year: 2018).*

“Compression Icon” Dec. 12, 2018, IconScout, site visited Oct. 28, 2021: <https://iconscout.com/icon/compression-15> (Year: 2018).*

Greenspan, Vince “Braun Series 9 9090cc Electric Shaver Review” Jun. 21, 2017, ShaverInsider, site visited May 22, 2021: <https://www.shaverinsider.com/braun-series-9-9090cc-electric-shaver-review/> (Year: 2017).*

“Philips Shaver Series 7000—GroomTribe App” Dec. 4, 2019, YouTube, site visited Jun. 2, 2021: <https://www.youtube.com/watch?v=ldiD1k6mnjQ> (Year: 2019).*

“Garmin Vivosmart HR+” Oct. 1, 2017, GoodHousekeeping, site visited May 22, 2021: <https://www.goodhousekeeping.com/uk/product-reviews/tech/a676230/garmin-vivosmart-hr/> (Year: 2017).*

“Downloading Arrow” Jun. 19, 2017, Dribbble, site visited Jun. 2, 2022: <https://dribbble.com/shots/3576887-Downloading-arrow> (Year: 2017).*

* cited by examiner

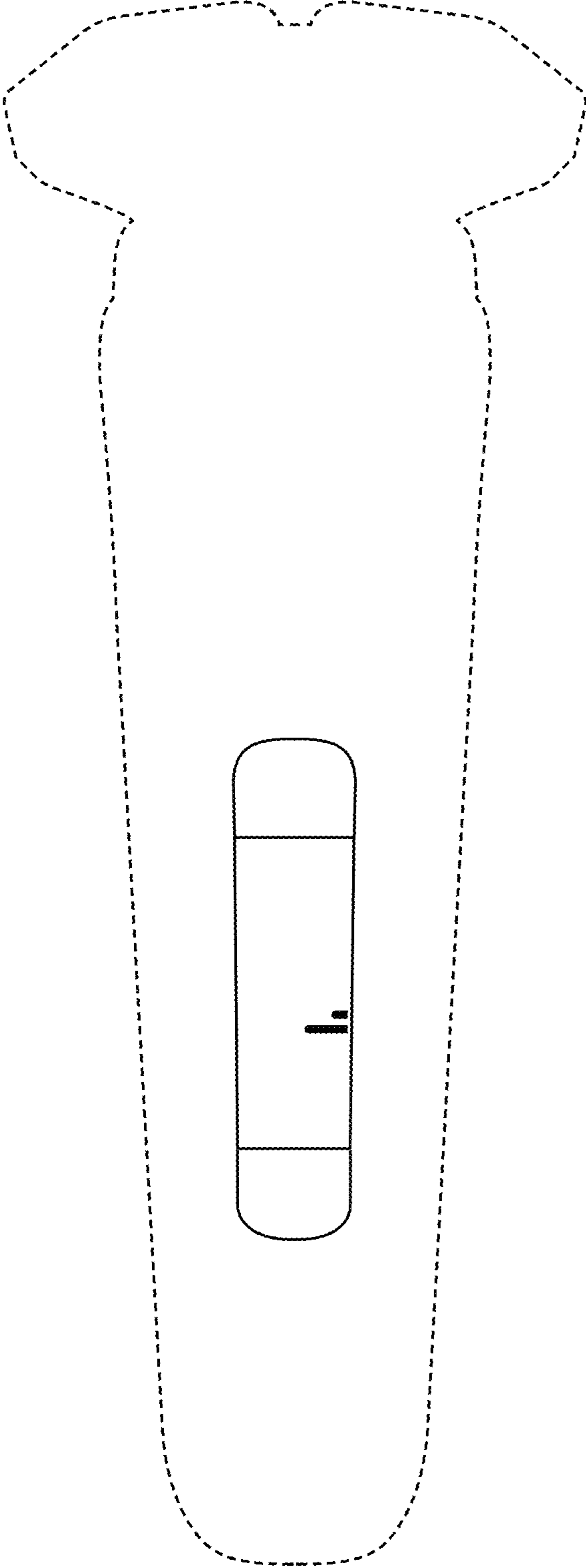


FIG. 1

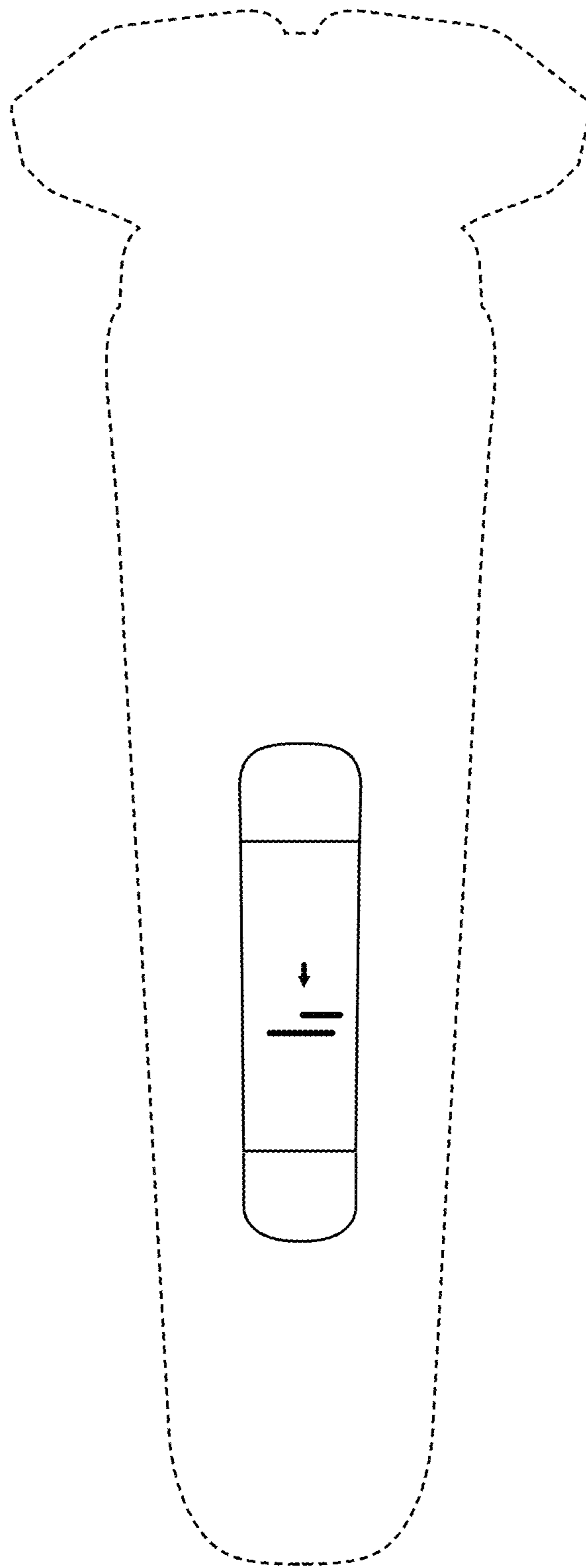


FIG. 2

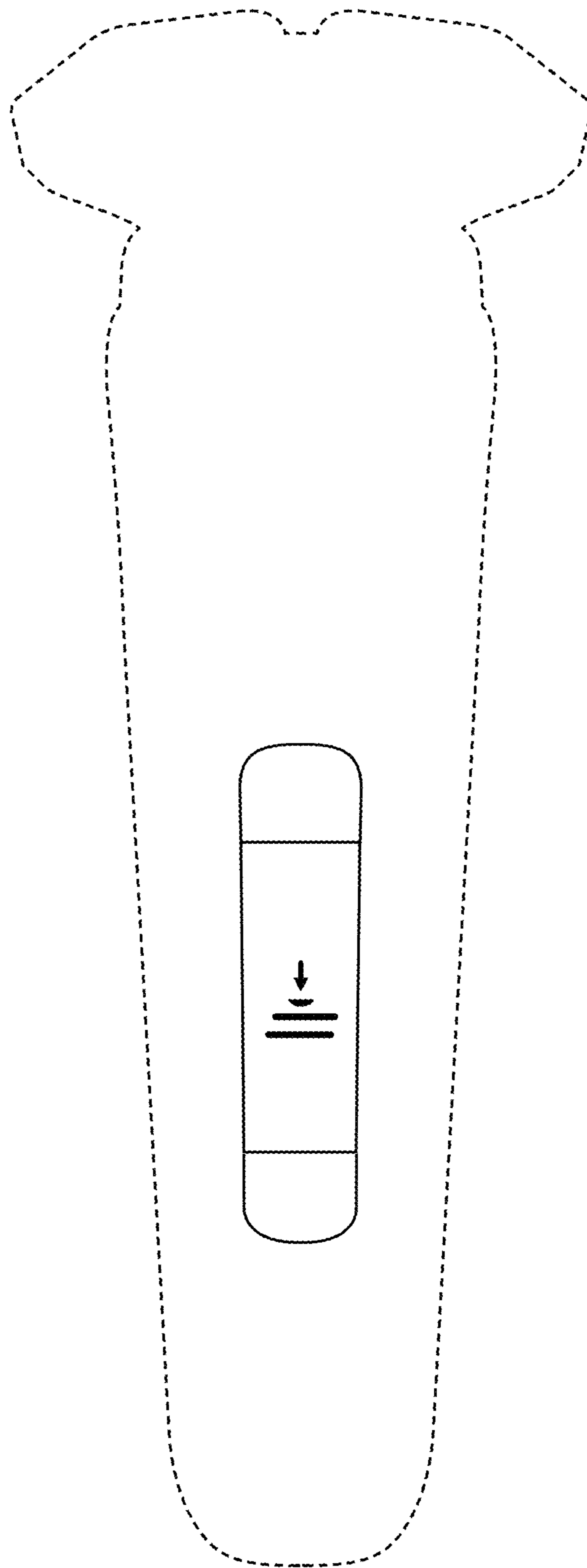


FIG. 3

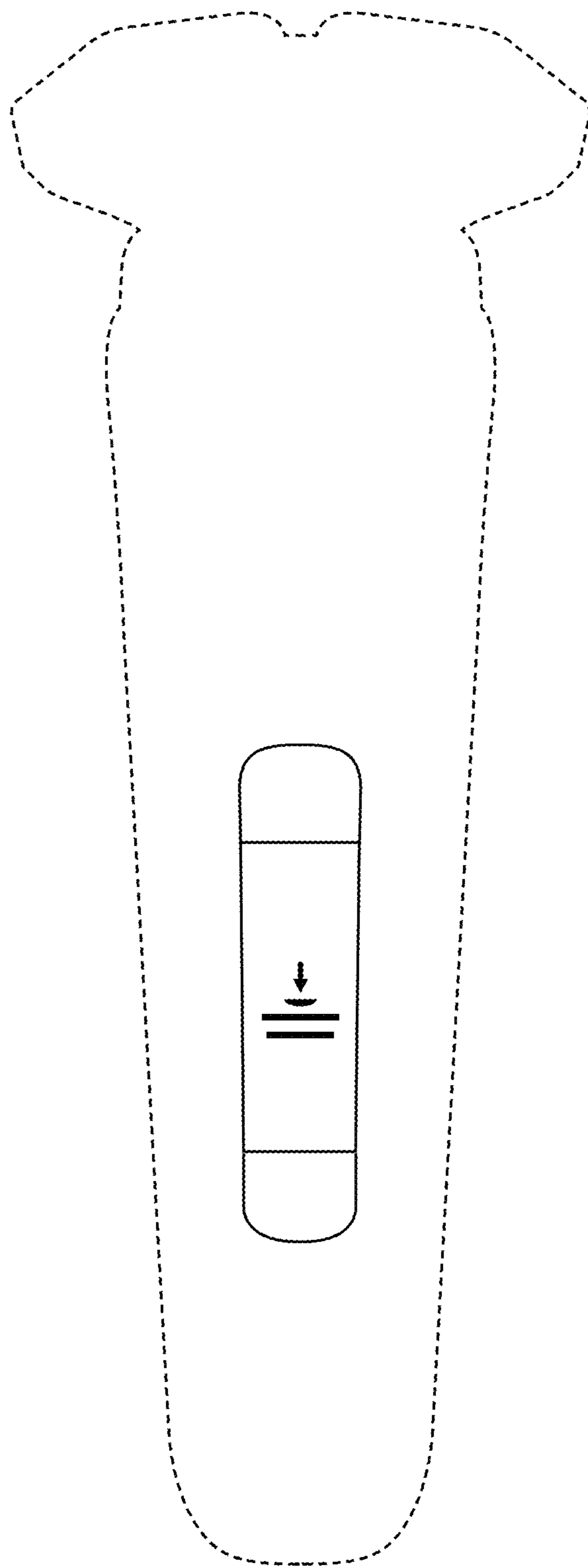


FIG. 4

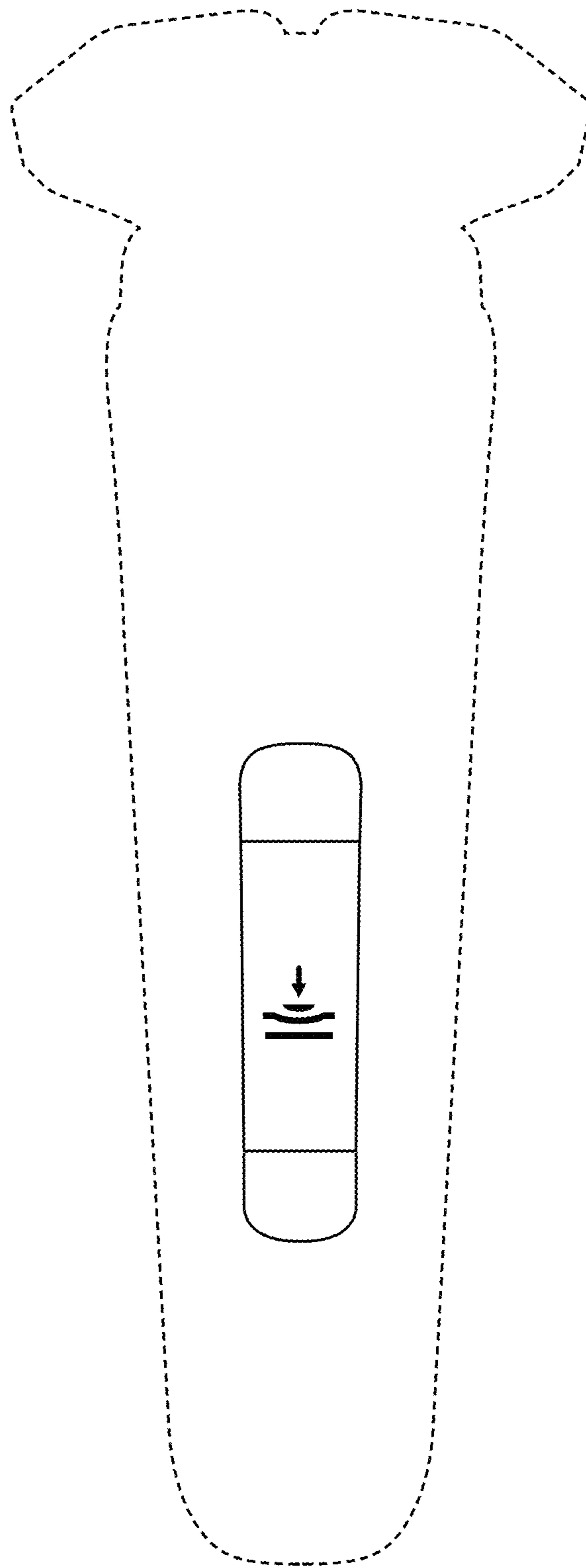


FIG. 5

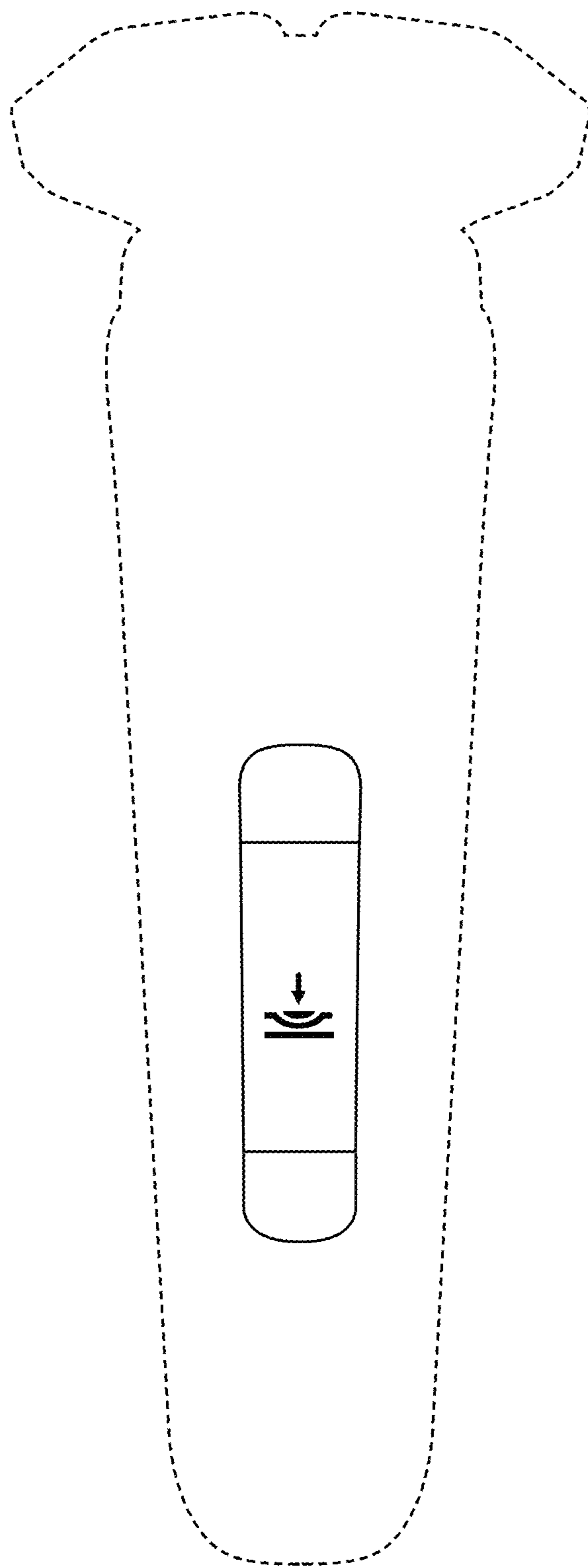


FIG. 6

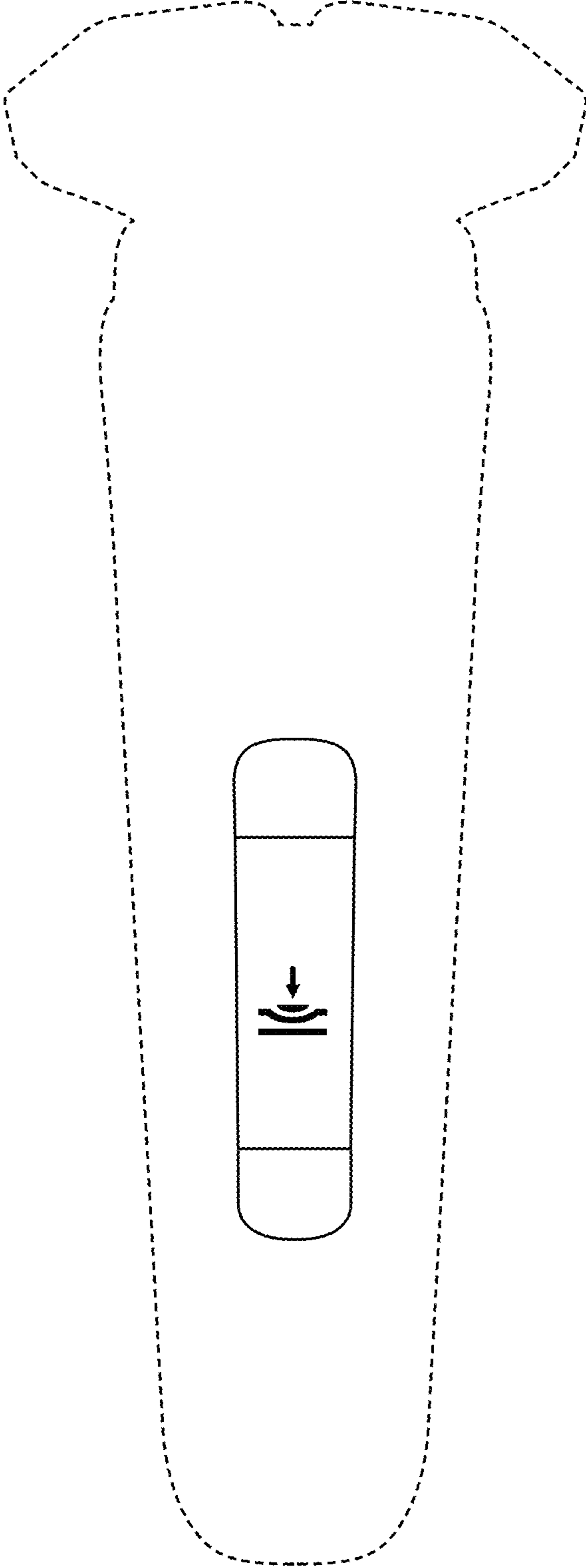


FIG. 7