

US00D967834S

(12) **United States Design Patent**
Fountain et al.

(10) **Patent No.:** **US D967,834 S**
(45) **Date of Patent:** **** Oct. 25, 2022**

(54) **KEYPAD**

G06K 7/1417; G06K 7/10386; G06K
7/10079; G06K 7/10891;

(71) Applicant: **ZEBRA TECHNOLOGIES
CORPORATION**, Lincolnshire, IL
(US)

(Continued)

(72) Inventors: **Mark Thomas Fountain**, London
(GB); **Benjamin H. Stibal**, Patchogue,
NY (US)

(56) **References Cited**

U.S. PATENT DOCUMENTS

6,967,280 B1 * 11/2005 Boatwright H04W 88/06
455/575.1

D537,828 S * 3/2007 Croley D14/453
(Continued)

(73) Assignee: **Zebra Technologies Corporation**,
Lincolnshire, IL (US)

Primary Examiner — Susan Moon Lee

(**) Term: **15 Years**

(57) **CLAIM**

(21) Appl. No.: **29/712,707**

We claim the ornamental design for a keypad, as shown and
described.

(22) Filed: **Nov. 11, 2019**

DESCRIPTION

(51) **LOC (13) Cl.** **14-02**

(52) **U.S. Cl.**
USPC **D14/453**; D14/429

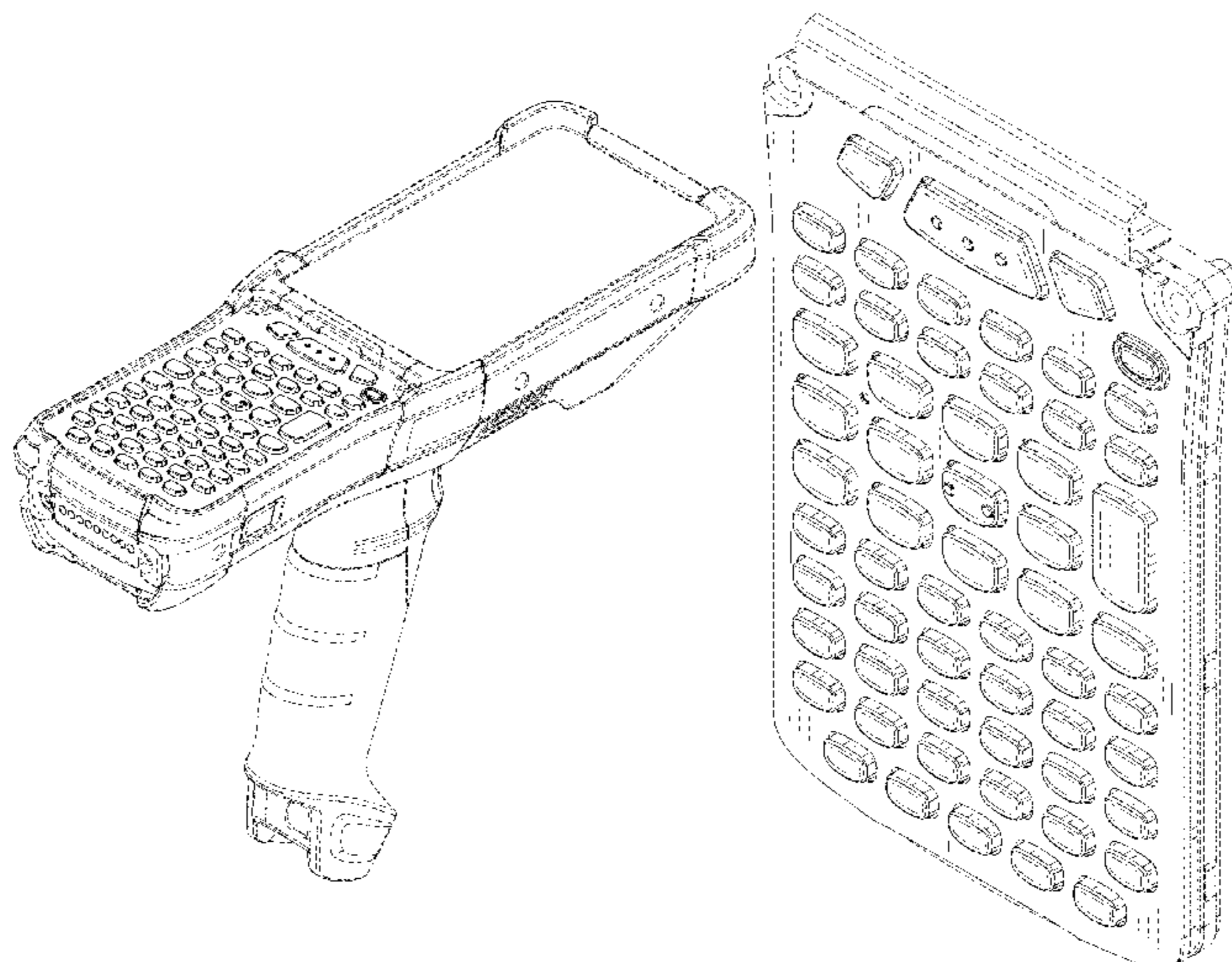
(58) **Field of Classification Search**

USPC D14/420, 426–430, 453, 346, 341, 347,
D14/412, 138 R, 138 AA, 138 C, 399,
D14/455, 456; D13/107, 184; 358/473;
235/462.43, 462.45, 462.47, 462.48,
235/462.44, 462.46, 487, 472.01, 472.02,
235/145 A, 145 R, 385, 440, 383, 454,
235/462.01; D10/78, 46, 70, 75, 80;
324/426; D3/273; 710/73; D18/7;
361/679, 728, 679.56, 679.55, 679.59;
382/313, 321; 455/575.1, 561, 572, 557,
455/349, 556.1, 556.2, 90.3; 345/156,
345/168, 169, 172, 173, 87; 705/17, 18,
705/22–25; 343/872, 846, 700 MS
CPC G06F 1/626; G06F 1/1626; G06F 1/1656;
G06F 1/1632; G06F 1/1684; G06F
1/1635; G06F 8/63; G06F 17/30091;
G06F 9/4401; G06K 7/10881; G06K
7/1098; G06K 7/10722; G06K 7/1404;
G06K 7/0004; G06K 7/10633; G06K
7/10851; G06K 7/1091; G06K 7/1092;
G06K 7/1093; G06K 7/10; G06K 7/109;

FIG. 1 is a first perspective view of a keypad, shown in
conjunction with an exemplary mobile computing device;
FIG. 2 is a second perspective view thereof;
FIG. 3 is a first side view thereof;
FIG. 4 is a second side view thereof;
FIG. 5 is a top view thereof;
FIG. 6 is a bottom view thereof;
FIG. 7 is a front thereof; and
FIG. 8 is a back view thereof.
FIG. 9 is a first perspective view of a keypad according to
a second embodiment;
FIG. 10 is a second perspective view thereof;
FIG. 11 is a first side view thereof;
FIG. 12 is a second side view thereof;
FIG. 13 is a top view thereof;
FIG. 14 is a bottom view thereof;
FIG. 15 is a front thereof; and,
FIG. 16 is a back view thereof.

The broken lines are directed to environment and are for
illustrative purposes only. Broken lines of a particular
embodiment form no part of the design claimed in that
particular embodiment.

1 Claim, 14 Drawing Sheets



(58) **Field of Classification Search**

CPC G06K 7/1097; G06K 7/10366; G06K 7/10425; G06K 7/10376; G06K 7/10396; G06K 7/015; G06K 7/10316; G06K 9/228; G06K 17/0022; G06K 17/00; G06K 2207/1011; G06K 2207/1013; G06K 2207/1016; G06K 2207/1018; G06K 2017/0051; G06K 2017/0067; G06K 2007/10524; G06K 2007/10534; G06K 2007/10544; G06K 19/0723; G06K 7/1095; G06K 7/089; G06K 7/10821; G07G 1/0081; G07G 1/009; G06Q 20/20; G06Q 20/201; G06Q 20/202; G06Q 20/203; G06Q 20/30; G06Q 20/32; G06Q 20/322; G06Q 20/4014; G06Q 10/087; H04N 1/00127; H04N 1/00135; H04N 1/00326; H04N 1/00334; H04N 1/00307; H04N 1/107; H04N 2201/0084; H04N 2101/00; H04M 1/0249; H04M 1/0262; H04M 1/0266; H04M 1/18; H04M 1/23; H04M 1/236; H04B 1/3827; H04B 1/3833; H04B 1/3877; H04B 1/3883; H04B 1/3888; H04B 2001/3894; H01M 2/1066; H01Q 1/42; H01Q 1/2216; H01Q 1/20; H01Q 1/22; H01Q 1/2208; H01Q 1/2258; H01Q 1/241; H01Q 1/242; H01Q 1/244; H01Q 1/27; H01Q 1/273; H01Q 9/16; H01Q 9/285; H01Q 19/28; Y10T 29/49016

See application file for complete search history.

(56) **References Cited**

U.S. PATENT DOCUMENTS

D538,291 S * 3/2007 Croley D14/453
 D539,294 S * 3/2007 Croley D14/453
 7,195,168 B2 * 3/2007 Wulff G06K 7/10881
 235/472.01

7,195,169 B2 * 3/2007 Bhatia G06K 7/1098
 235/462.46
 D611,943 S 3/2010 Boyd
 D614,627 S * 4/2010 Lerner D14/429
 D618,688 S 6/2010 Mangaroo et al.
 D619,138 S 7/2010 Mangaroo et al.
 D629,001 S * 12/2010 Palmer D14/426
 D634,744 S * 3/2011 Palmer D14/347
 7,903,033 B2 * 3/2011 Bellows H01Q 1/242
 343/702
 8,071,878 B2 * 12/2011 Mangaroo G06F 1/1656
 174/50.54
 D661,306 S * 6/2012 Cullen D14/429
 D664,145 S * 7/2012 Cullen D14/429
 D673,955 S * 1/2013 Mangaroo D14/429
 D697,067 S * 1/2014 Minafo D14/428
 D704,711 S * 5/2014 Minafo D14/429
 D771,631 S * 11/2016 Fitch D14/429
 D835,107 S * 12/2018 Memke D14/429
 D883,285 S * 5/2020 Hackett D14/426
 D896,224 S * 9/2020 Sieckowski D14/428
 D907,634 S * 1/2021 Bidwell D14/453
 D917,486 S * 4/2021 Fountain D14/428
 D917,487 S * 4/2021 Bidwell D14/428
 D922,386 S * 6/2021 Shen D14/428
 D944,802 S * 3/2022 Shen D14/428
 2003/0006998 A1 * 1/2003 Kumar G06F 1/1626
 715/700
 2006/0266841 A1 * 11/2006 Hansen G06F 1/1669
 235/472.02
 2007/0158429 A1 * 7/2007 Bhatia G06K 7/1098
 235/462.43
 2008/0297479 A1 * 12/2008 Yeh G06F 1/1662
 345/169
 2009/0224039 A1 * 9/2009 Hause G06K 7/0004
 235/385
 2013/0126616 A1 * 5/2013 Zolotov G06K 7/10851
 235/462.25
 2014/0185234 A1 * 7/2014 Lee H04M 1/23
 361/679.56
 2014/0217180 A1 * 8/2014 Liu E05B 73/0082
 235/472.01

* cited by examiner

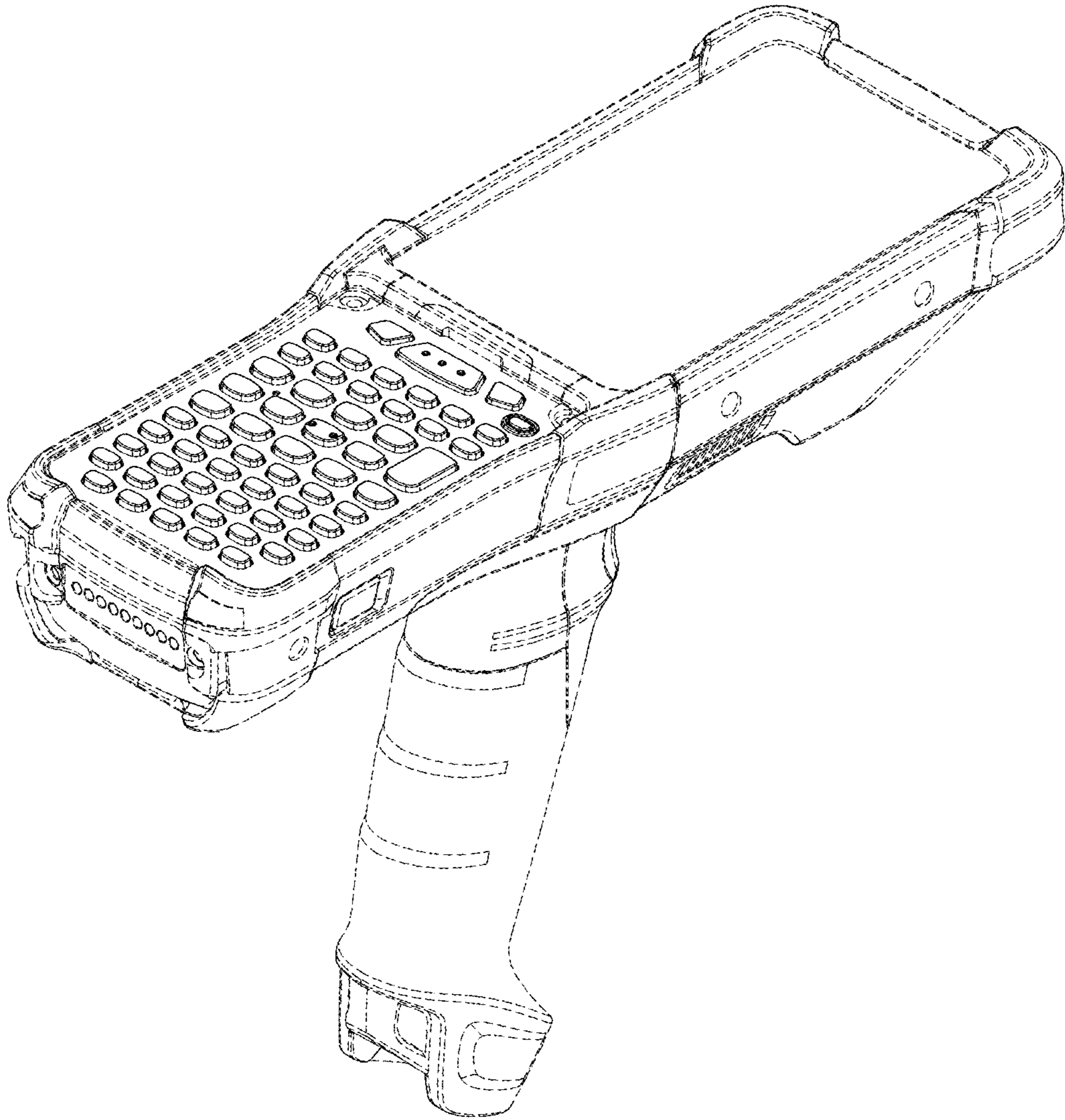


FIG. 1

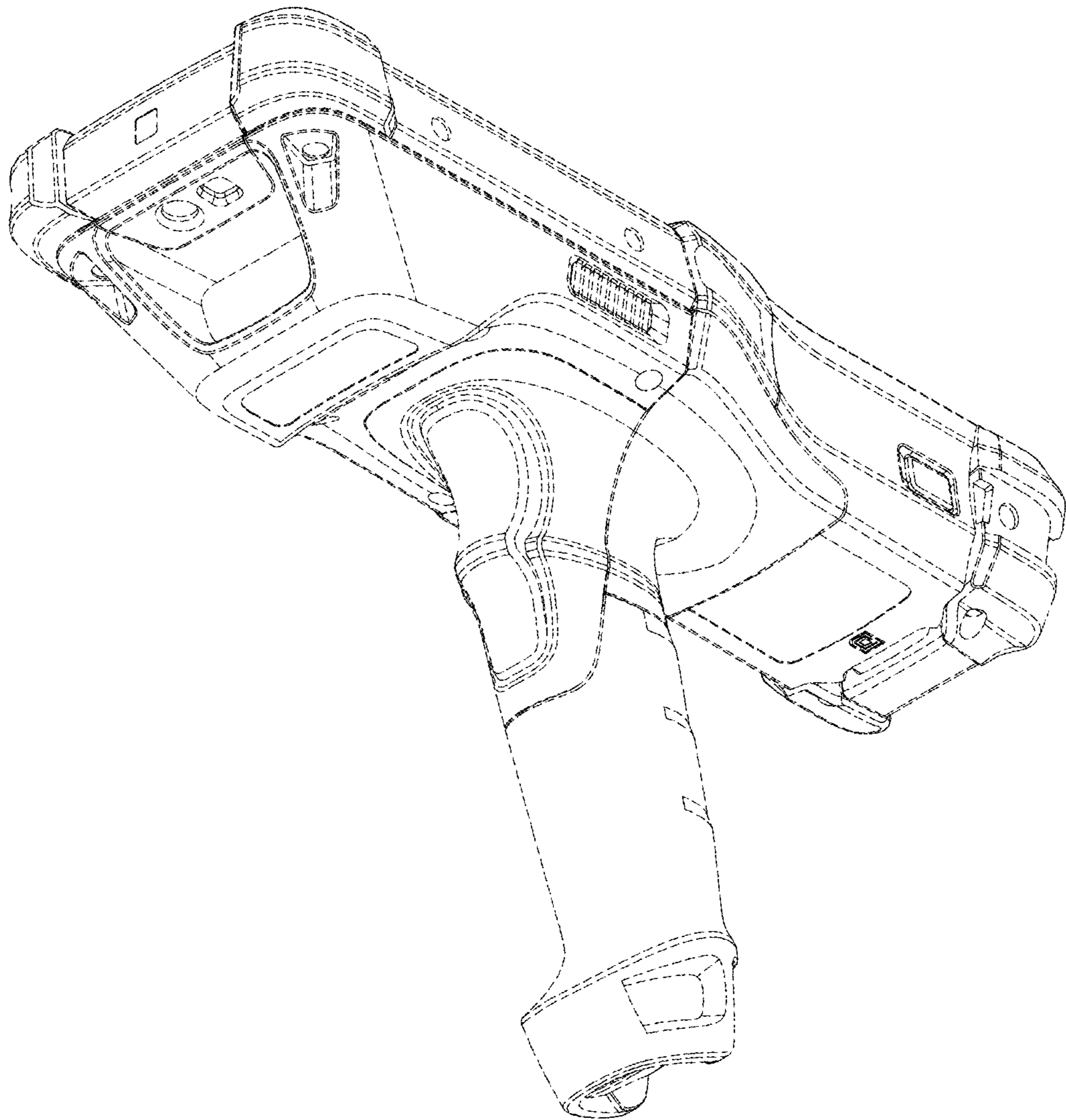


FIG. 2

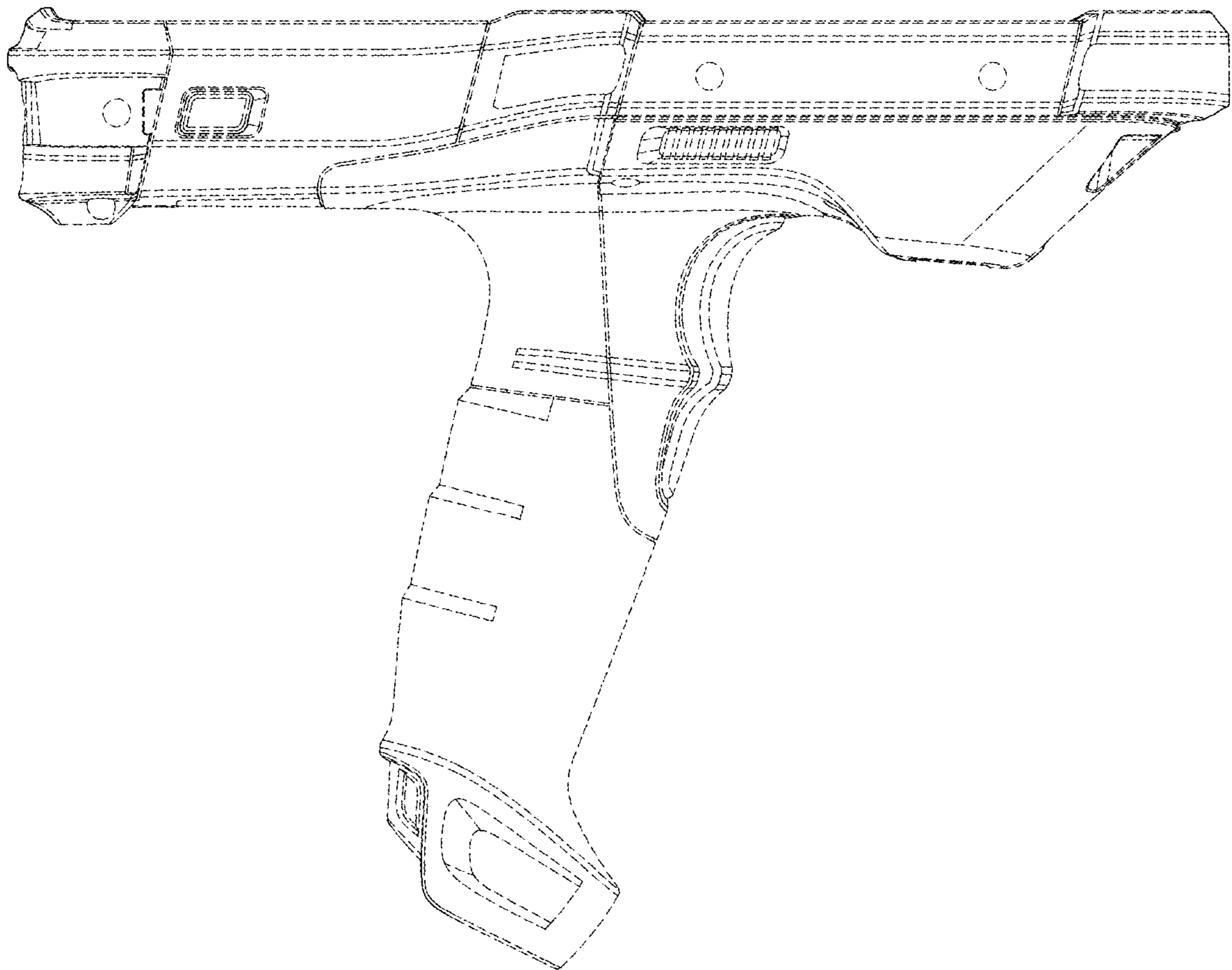


FIG. 3

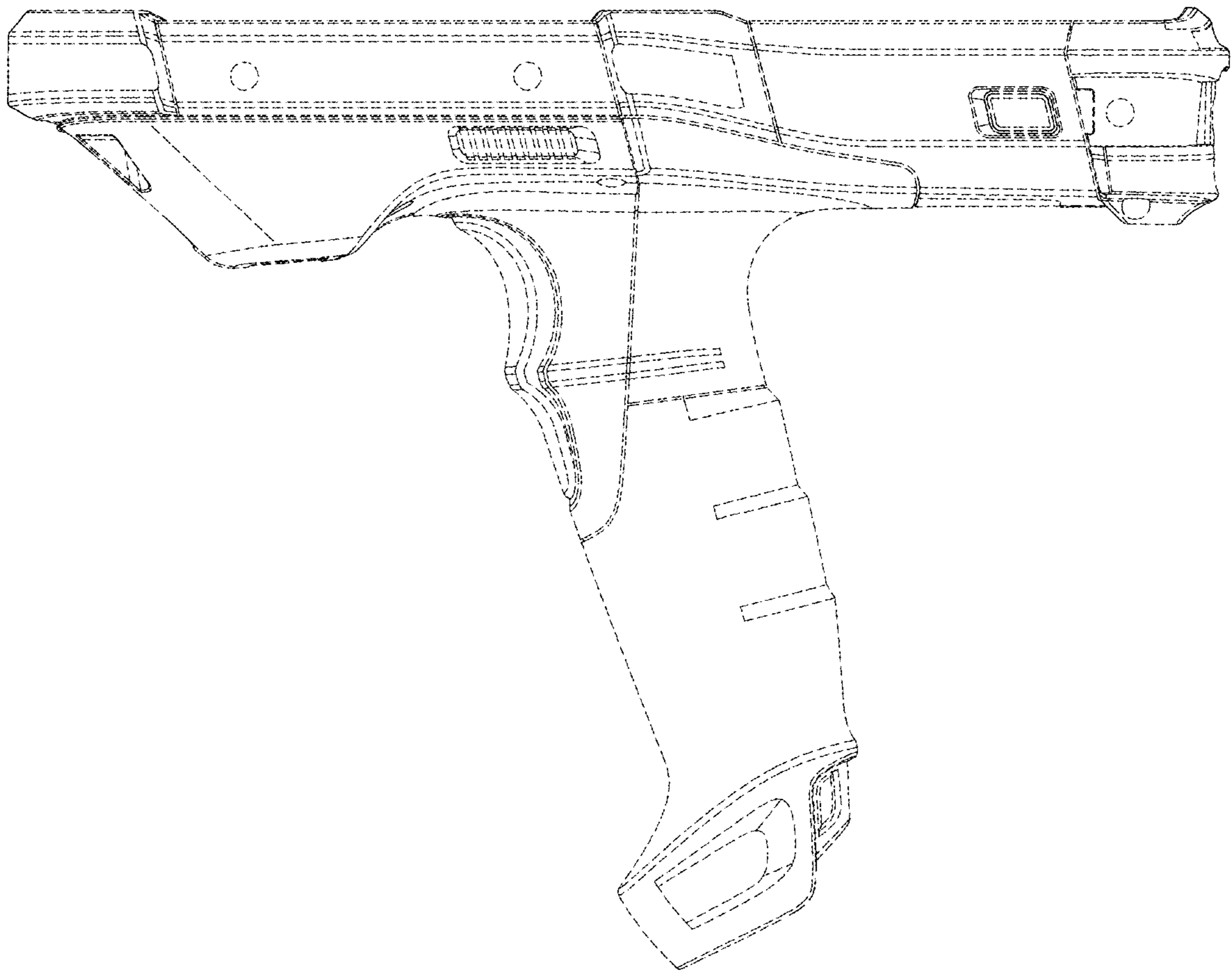


FIG. 4

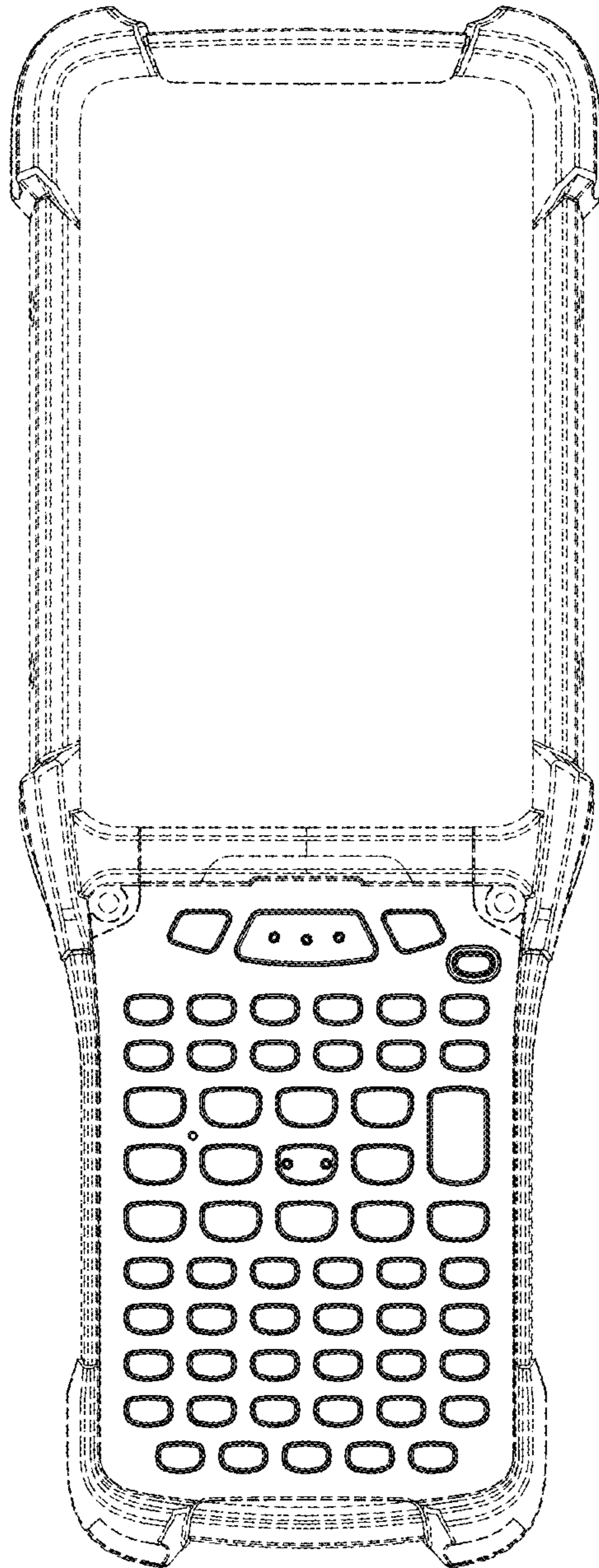


FIG. 5

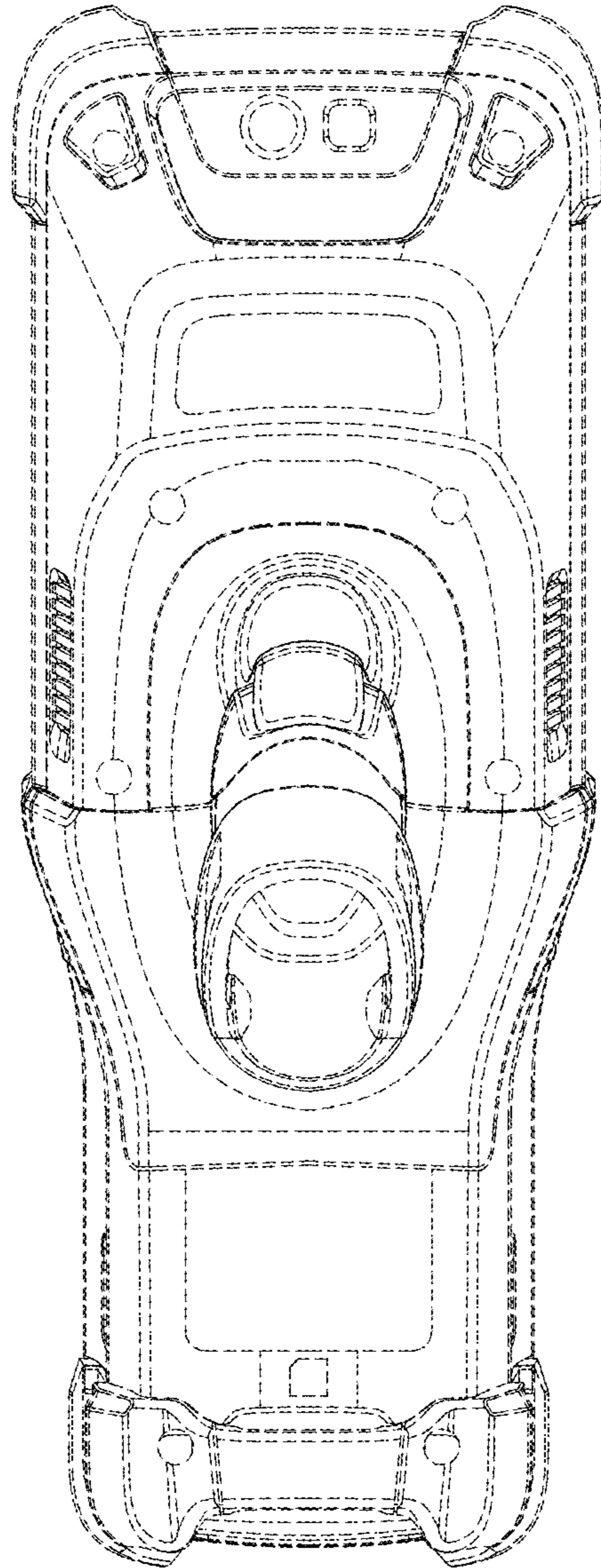


FIG. 6

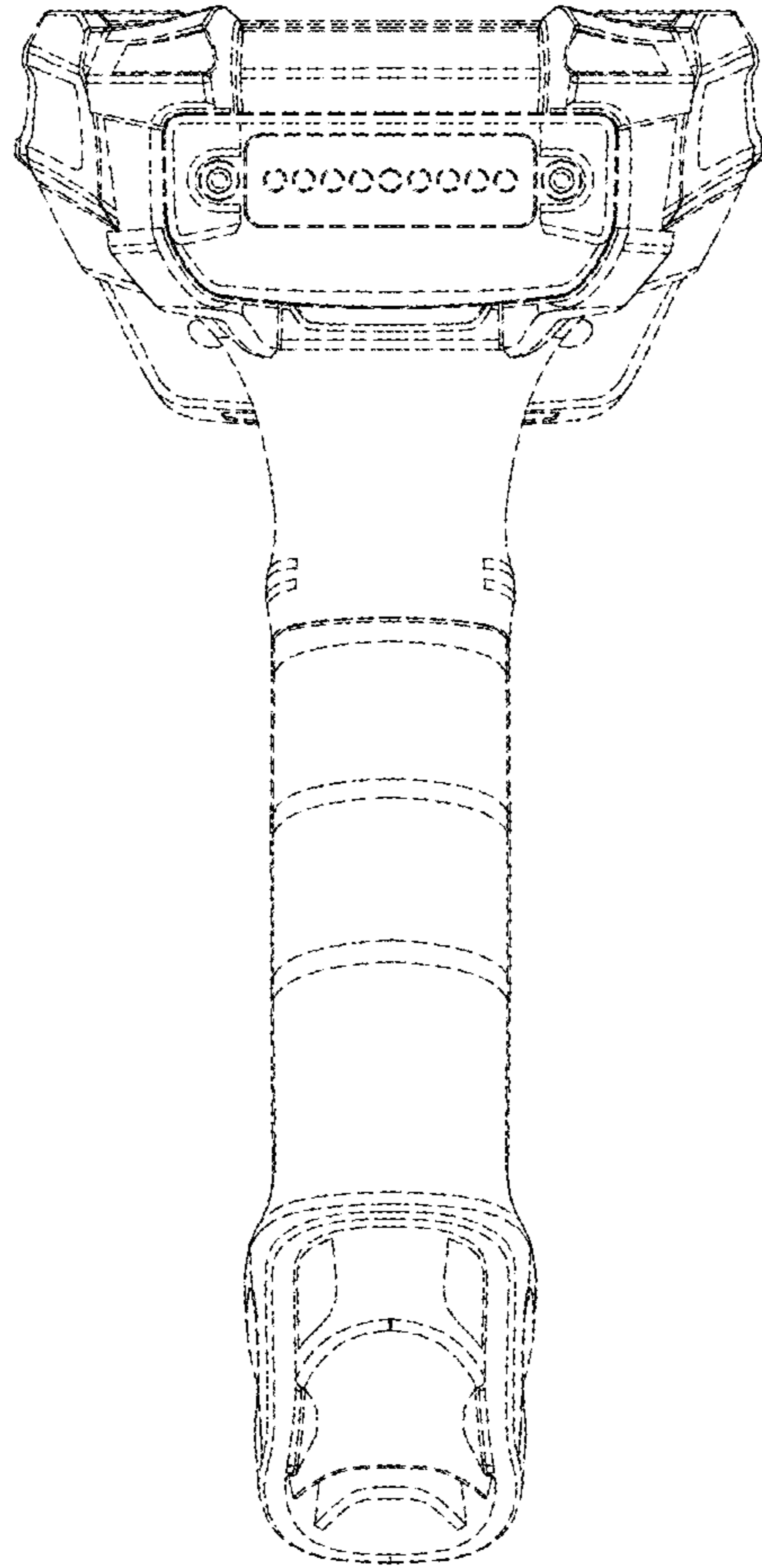


FIG. 7

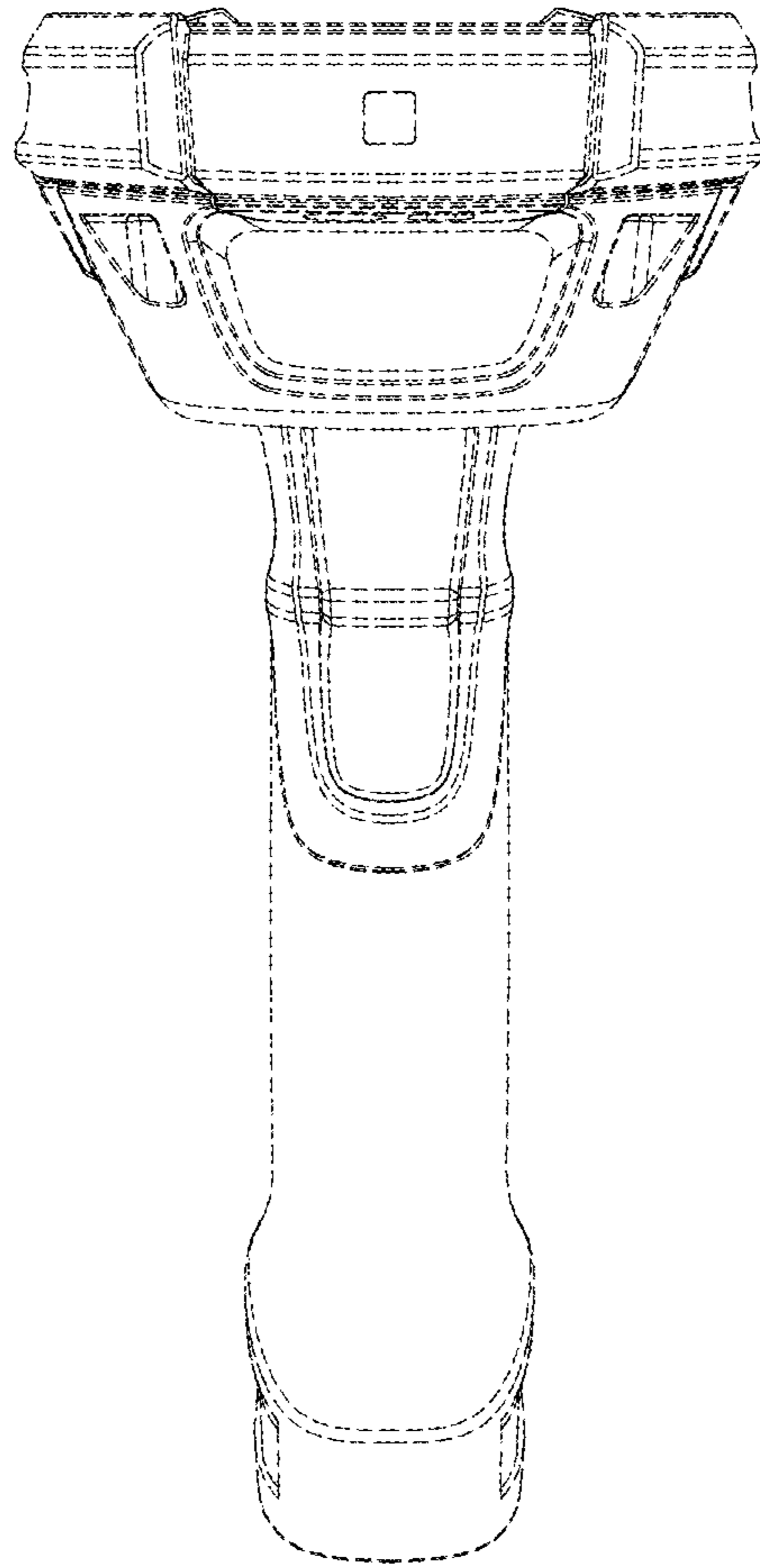


FIG. 8

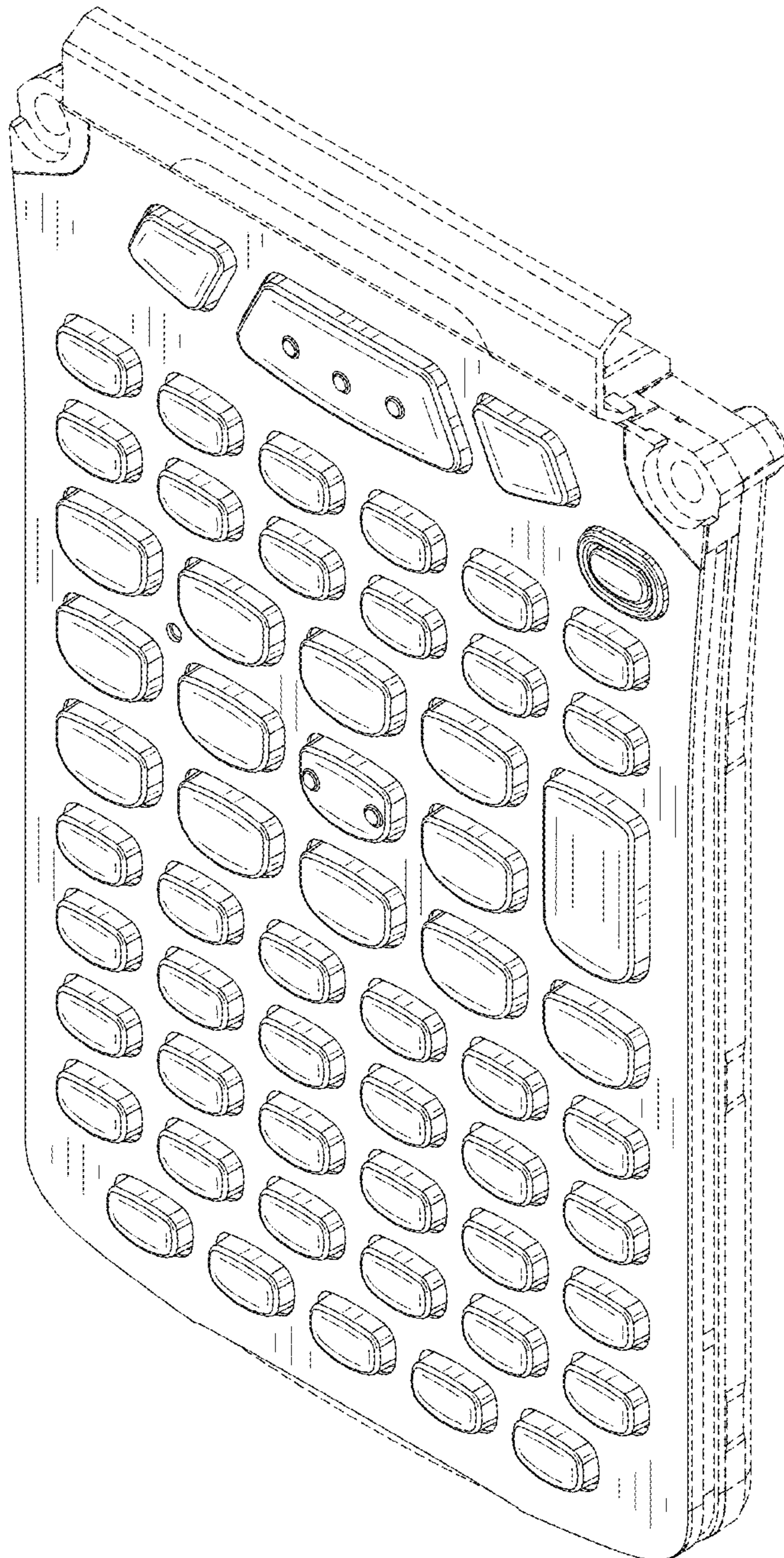


FIG. 9

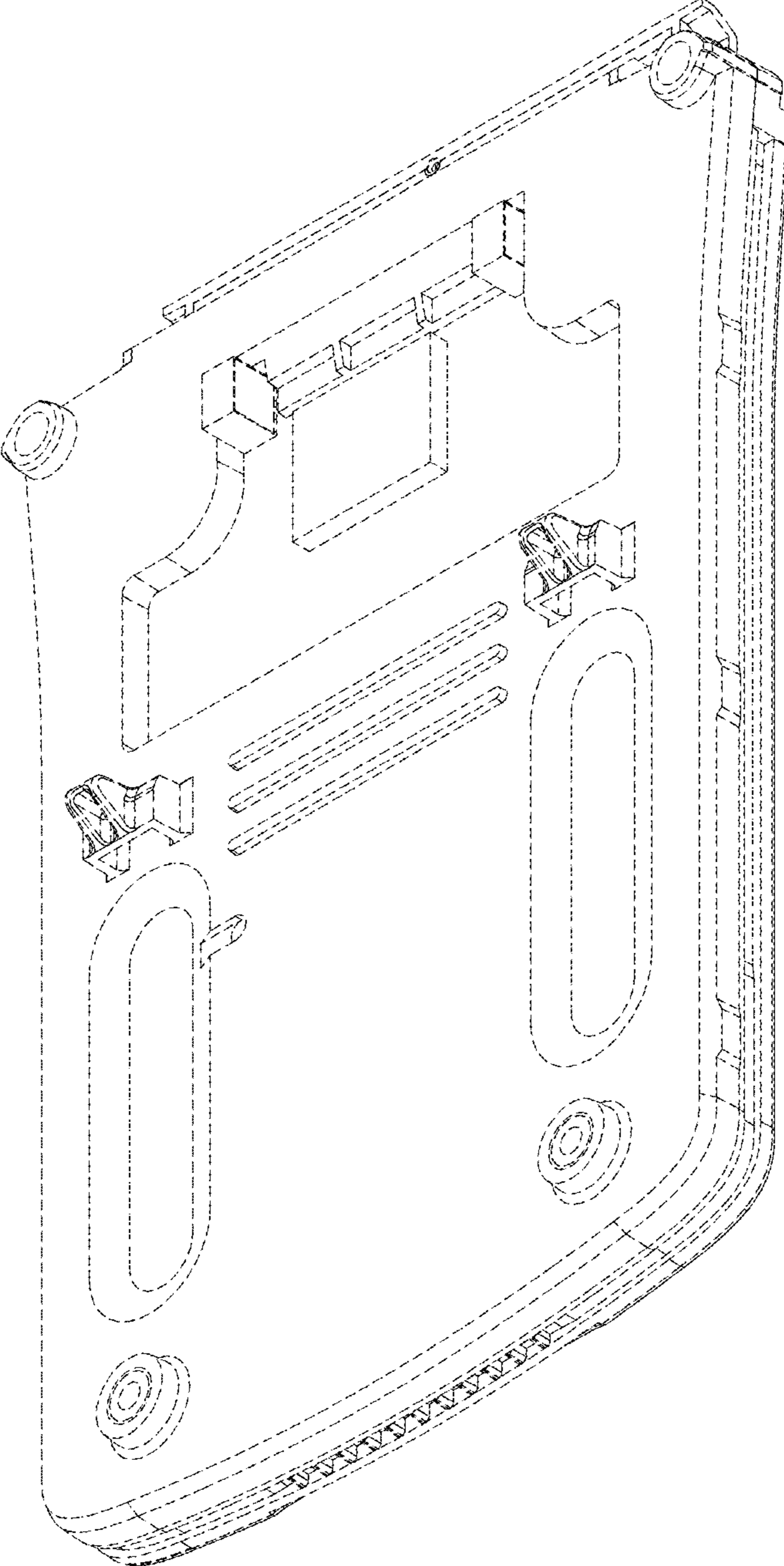


FIG. 10

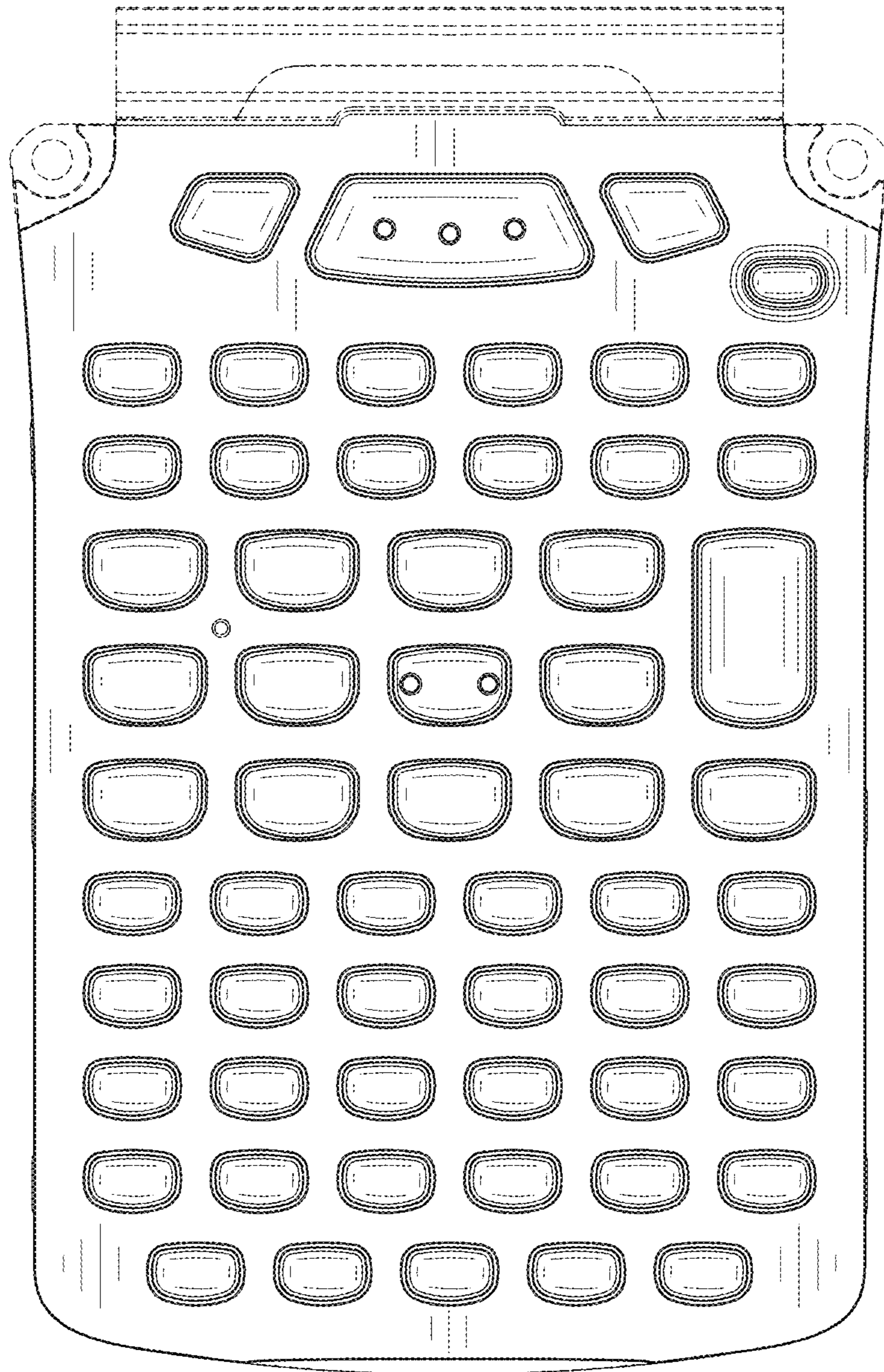


FIG. 11

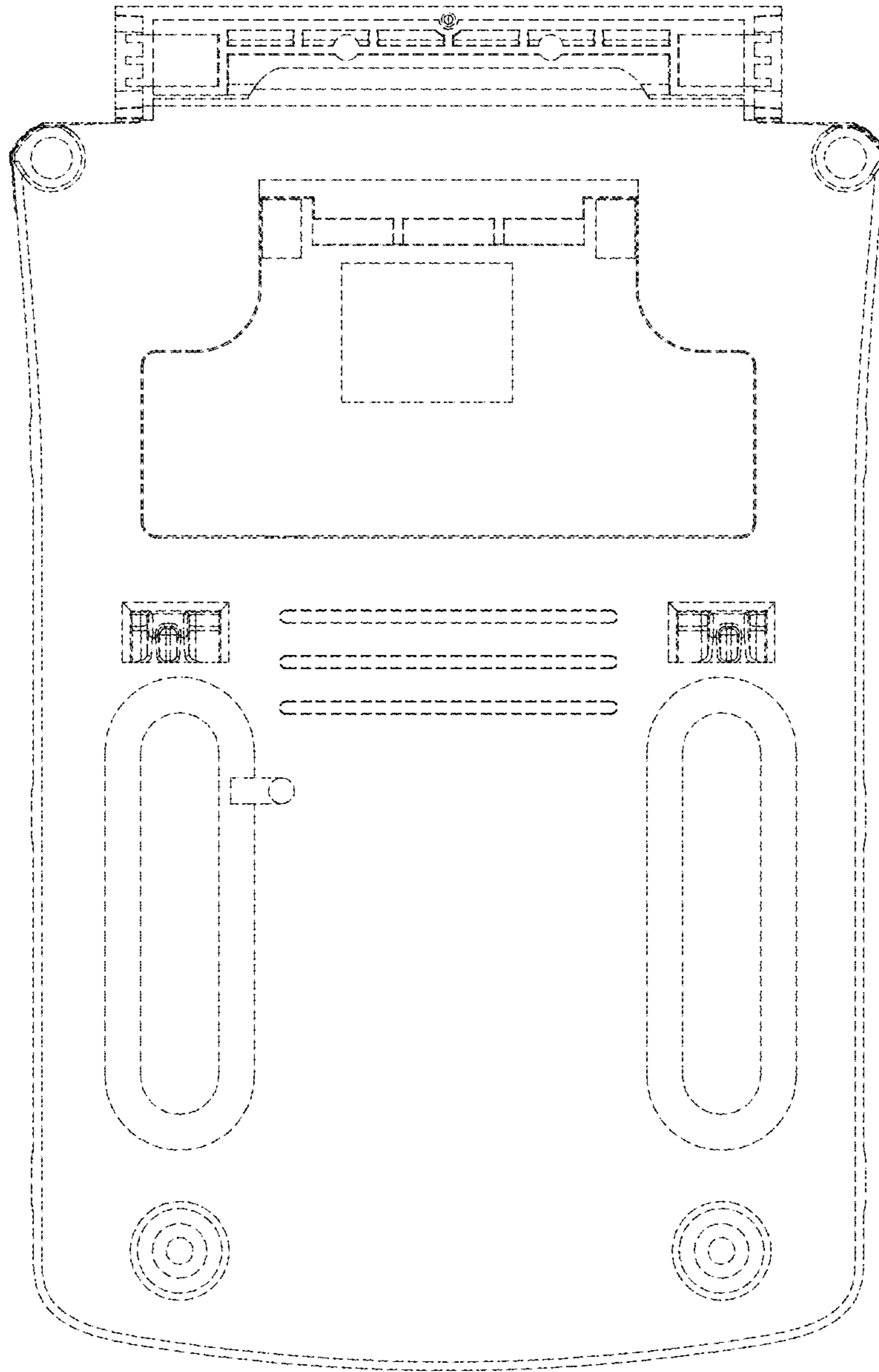


FIG. 12

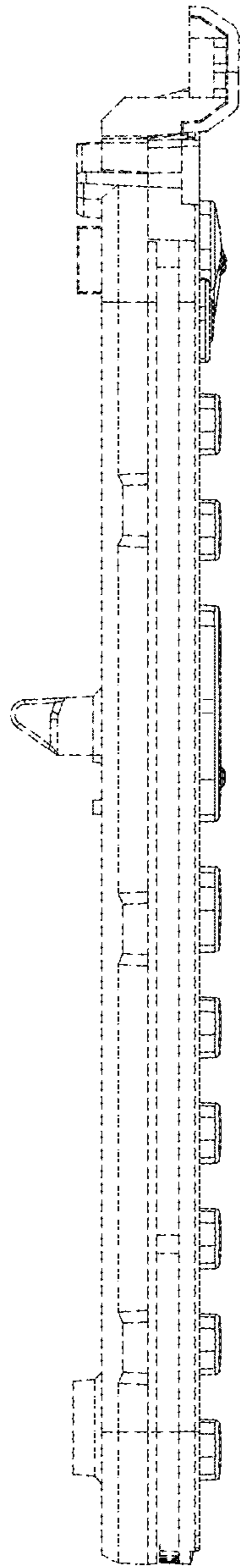


FIG. 13

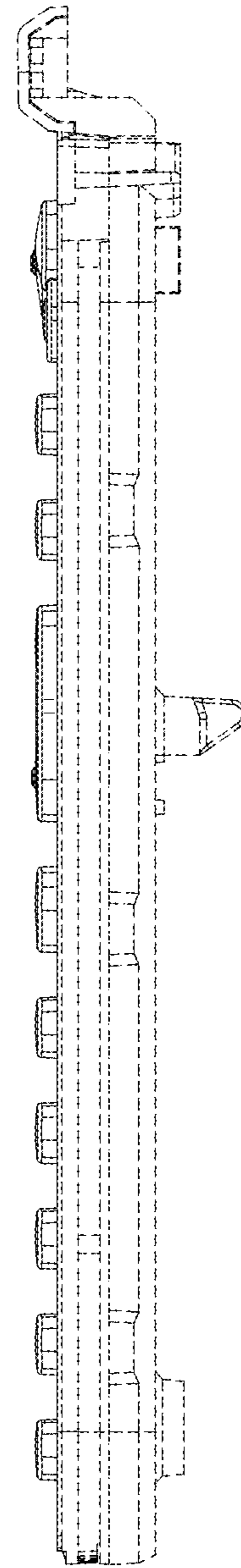


FIG. 14

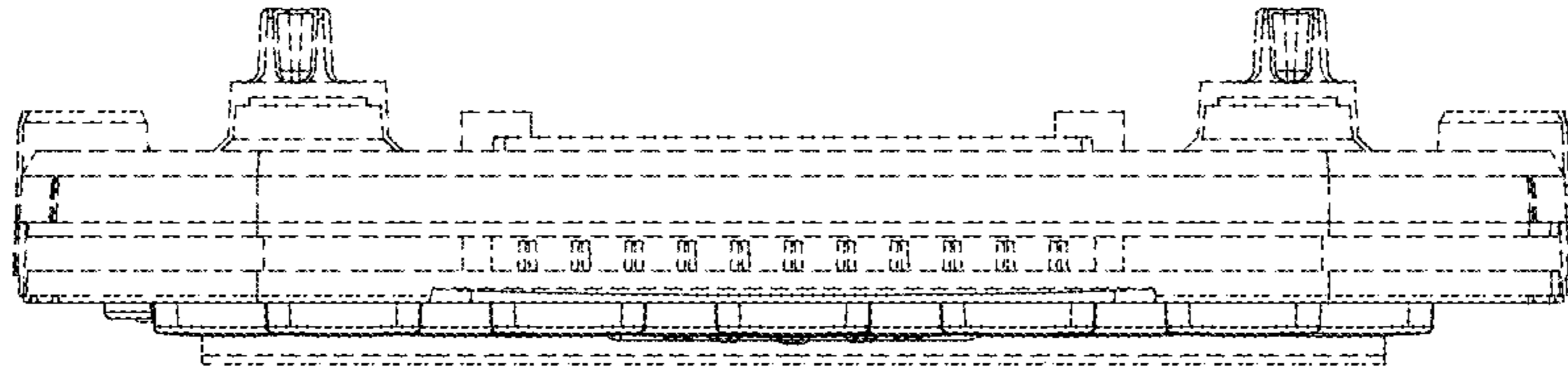


FIG. 15

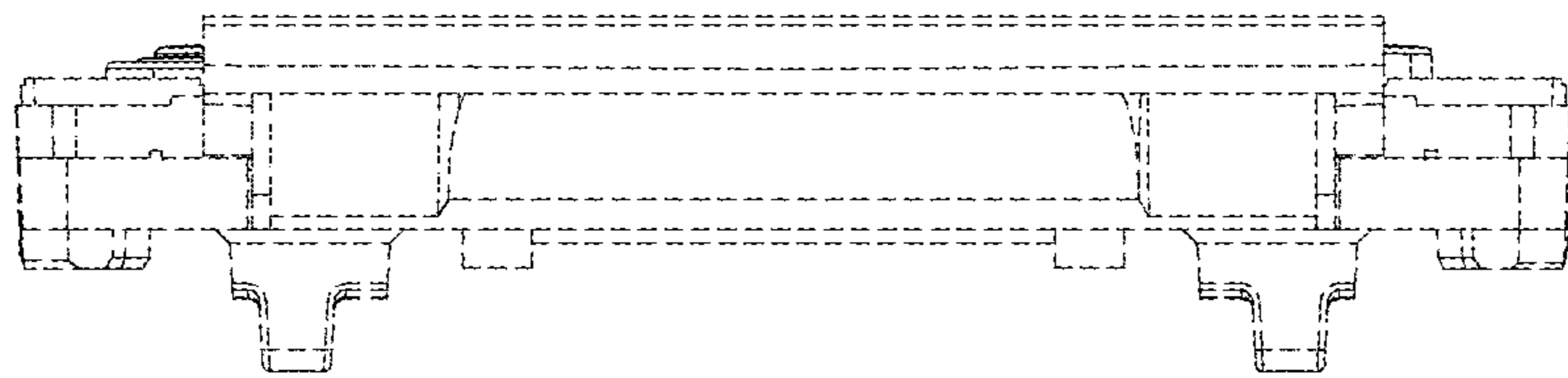


FIG. 16