

US00D967833S

(12) **United States Design Patent**  
**Fountain et al.**

(10) **Patent No.:** **US D967,833 S**  
(45) **Date of Patent:** **\*\* Oct. 25, 2022**

(54) **KEYPAD**

G06K 7/1417; G06K 7/10386; G06K  
7/10079; G06K 7/1097;

(71) Applicant: **ZEBRA TECHNOLOGIES  
CORPORATION**, Lincolnshire, IL  
(US)

(Continued)

(72) Inventors: **Mark Thomas Fountain**, London  
(GB); **Benjamin H. Stibal**, Patchogue,  
NY (US)

(56) **References Cited**

U.S. PATENT DOCUMENTS

6,967,280 B1 \* 11/2005 Boatwright ..... H04W 88/06  
455/575.1

D538,292 S \* 3/2007 Croley ..... D14/453  
(Continued)

(73) Assignee: **Zebra Technologies Corporation**,  
Lincolnshire, IL (US)

*Primary Examiner* — Susan Moon Lee

(\*\*) Term: **15 Years**

(57) **CLAIM**

(21) Appl. No.: **29/712,702**

We claim the ornamental design for a keypad, as shown and  
described.

(22) Filed: **Nov. 11, 2019**

**DESCRIPTION**

(51) **LOC (13) Cl.** ..... **14-02**

(52) **U.S. Cl.**  
USPC ..... **D14/453**; D14/429

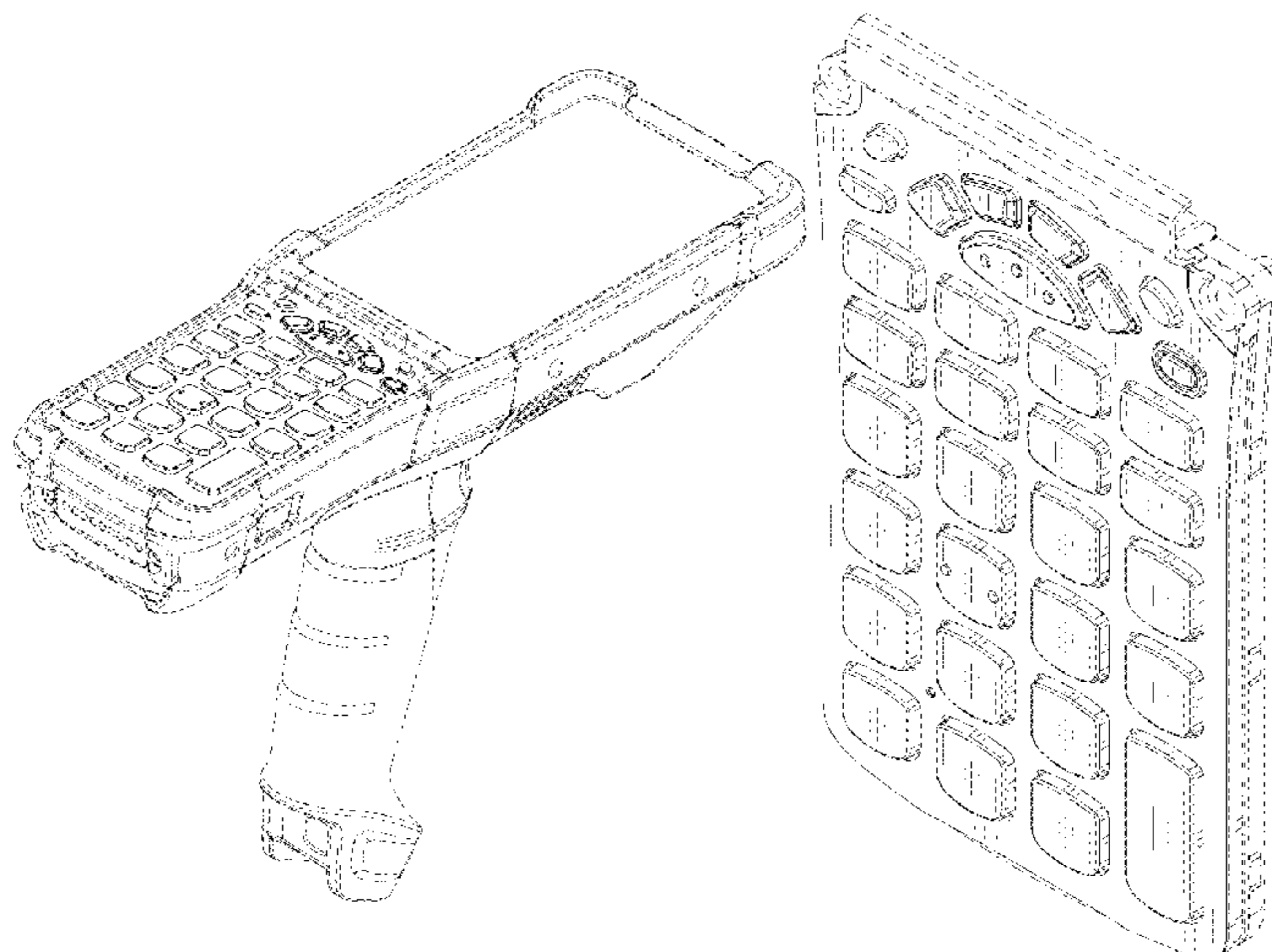
(58) **Field of Classification Search**

USPC ..... D14/420, 426–430, 453, 346, 341, 347,  
D14/412, 138 R, 138 AA, 138 C, 399,  
D14/455, 456; D13/107, 184; 358/473;  
235/462.43, 462.45, 462.47, 462.48,  
235/462.44, 462.46, 487, 472.01, 472.02,  
235/145 A, 145 R, 385, 440, 383, 454,  
235/462.1; D10/78, 46, 70, 75, 80;  
324/426; D3/273; 710/73; D18/7;  
361/679, 728, 679.56, 679.55, 679.59;  
382/313, 321; 455/575.1, 561, 572, 557,  
455/349, 556.1, 556.2, 90.3; 345/156,  
345/168, 169, 172, 173, 87; 705/17, 18,  
705/22–25; 343/872, 846, 700 MS  
CPC ..... G06F 1/626; G06F 1/1626; G06F 1/1656;  
G06F 1/1632; G06F 1/1684; G06F  
1/1635; G06F 8/63; G06F 17/30091;  
G06F 9/4401; G06K 7/10881; G06K  
7/1098; G06K 7/10722; G06K 7/1404;  
G06K 7/0004; G06K 7/10633; G06K  
7/10851; G06K 7/1091; G06K 7/1092;  
G06K 7/1093; G06K 7/10; G06K 7/109;

FIG. 1 is a first perspective view of a keypad, shown in  
conjunction with an exemplary mobile computing device;  
FIG. 2 is a second perspective view thereof;  
FIG. 3 is a first side view thereof;  
FIG. 4 is a second side view thereof;  
FIG. 5 is a top view thereof;  
FIG. 6 is a bottom view thereof;  
FIG. 7 is a front thereof; and  
FIG. 8 is a back view thereof.  
FIG. 9 is a first perspective view of a keypad according to  
a second embodiment;  
FIG. 10 is a second perspective view thereof;  
FIG. 11 is a first side view thereof;  
FIG. 12 is a second side view thereof;  
FIG. 13 is a top view thereof;  
FIG. 14 is a bottom view thereof;  
FIG. 15 is a front thereof; and,  
FIG. 16 is a back view thereof.

The broken lines are directed to environment and are for  
illustrative purposes only. Broken lines of a particular  
embodiment form no part of the design claimed in that  
particular embodiment.

**1 Claim, 14 Drawing Sheets**



**US D967,833 S**

(58) **Field of Classification Search**

CPC ..... G06K 7/10366; G06K 7/10425; G06K 7/10376; G06K 7/10396; G06K 7/015; G06K 7/10316; G06K 9/228; G06K 17/0022; G06K 17/00; G06K 2207/1011; G06K 2204/1013; G06K 2207/1016; G06K 2207/1018; G06K 2017/0051; G06K 2017/0067; G06K 2007/10524; G06K 2007/10534; G06K 2007/10544; G06K 19/0723; G06K 7/1095; G06K 7/089; G06K 7/10821; G07G 1/0081; G07G 1/009; G06Q 20/20; G06Q 20/201; G06Q 20/202; G06Q 20/203; G06Q 20/30; G06Q 20/32; G06Q 20/322; G06Q 20/4014; G06Q 10/087; H04N 1/00127; H04N 1/00135; H04N 1/00326; H04N 1/00334; H04N 1/00307; H04N 1/107; H04N 2201/0084; H04N 2101/00; H04M 1/0249; H04M 1/0262; H04M 1/0266; H04M 1/18; H04M 1/23; H04M 1/236; H04B 1/3827; H04B 1/3833; H04B 1/3877; H04B 1/3883; H04B 1/3888; H04B 2001/3894; H01M 2/1066; H01Q 1/42; H01Q 1/2216; H01Q 1/20; H01Q 1/22; H01Q 1/2208; H01Q 1/2258; H01Q 1/241; H01Q 1/242; H01Q 1/244; H01Q 1/27; H01Q 1/273; H01Q 9/16; H01Q 9/285; H01Q 19/28; Y10T 29/49016

See application file for complete search history.

(56) **References Cited**

U.S. PATENT DOCUMENTS

7,195,169 B2 \* 3/2007 Bhatia ..... G06K 7/1098  
235/462.46  
D542,801 S \* 5/2007 Croley ..... D14/453

D611,943 S 3/2010 Boyd  
D614,627 S \* 4/2010 Lerner ..... D14/429  
D618,688 S 6/2010 Mangaroo et al.  
7,743,995 B2 \* 6/2010 Wulff ..... G06K 7/10881  
235/462.43  
D619,138 S 7/2010 Mangaroo et al.  
7,877,841 B2 \* 2/2011 Mangaroo ..... G06K 7/10881  
16/436  
D634,744 S \* 3/2011 Palmer ..... D14/347  
7,903,033 B2 \* 3/2011 Bellows ..... H01Q 1/242  
343/702  
7,992,787 B2 \* 8/2011 Mangaroo ..... H05K 5/0247  
235/472.01  
8,025,236 B2 \* 9/2011 Mangaroo ..... H04M 1/0279  
235/462.43  
8,071,878 B2 \* 12/2011 Mangaroo ..... G06F 1/1656  
174/50.54  
8,169,786 B2 \* 5/2012 Mangaroo ..... G06F 1/1626  
361/752  
D664,145 S \* 7/2012 Cullen ..... D14/429  
D673,955 S \* 1/2013 Mangaroo ..... D14/429  
D697,067 S \* 1/2014 Minafo ..... D14/428  
D753,119 S \* 4/2016 Paufler ..... D14/429  
D771,631 S \* 11/2016 Fitch ..... D14/429  
D792,407 S \* 7/2017 Fitch ..... D14/429  
D917,486 S \* 4/2021 Fountain ..... D14/428  
D922,386 S \* 6/2021 Shen ..... D14/428  
D944,802 S \* 3/2022 Shen ..... D14/428  
2006/0266841 A1 \* 11/2006 Hansen ..... G06F 1/1669  
235/472.02  
2007/0158429 A1 \* 7/2007 Bhatia ..... G06K 7/1098  
235/462.43  
2008/0297479 A1 \* 12/2008 Yeh ..... G06F 1/1662  
345/169  
2009/0224039 A1 \* 9/2009 Hause ..... G06K 7/0004  
235/385  
2014/0185234 A1 \* 7/2014 Lee ..... H04M 1/23  
361/679.56

\* cited by examiner

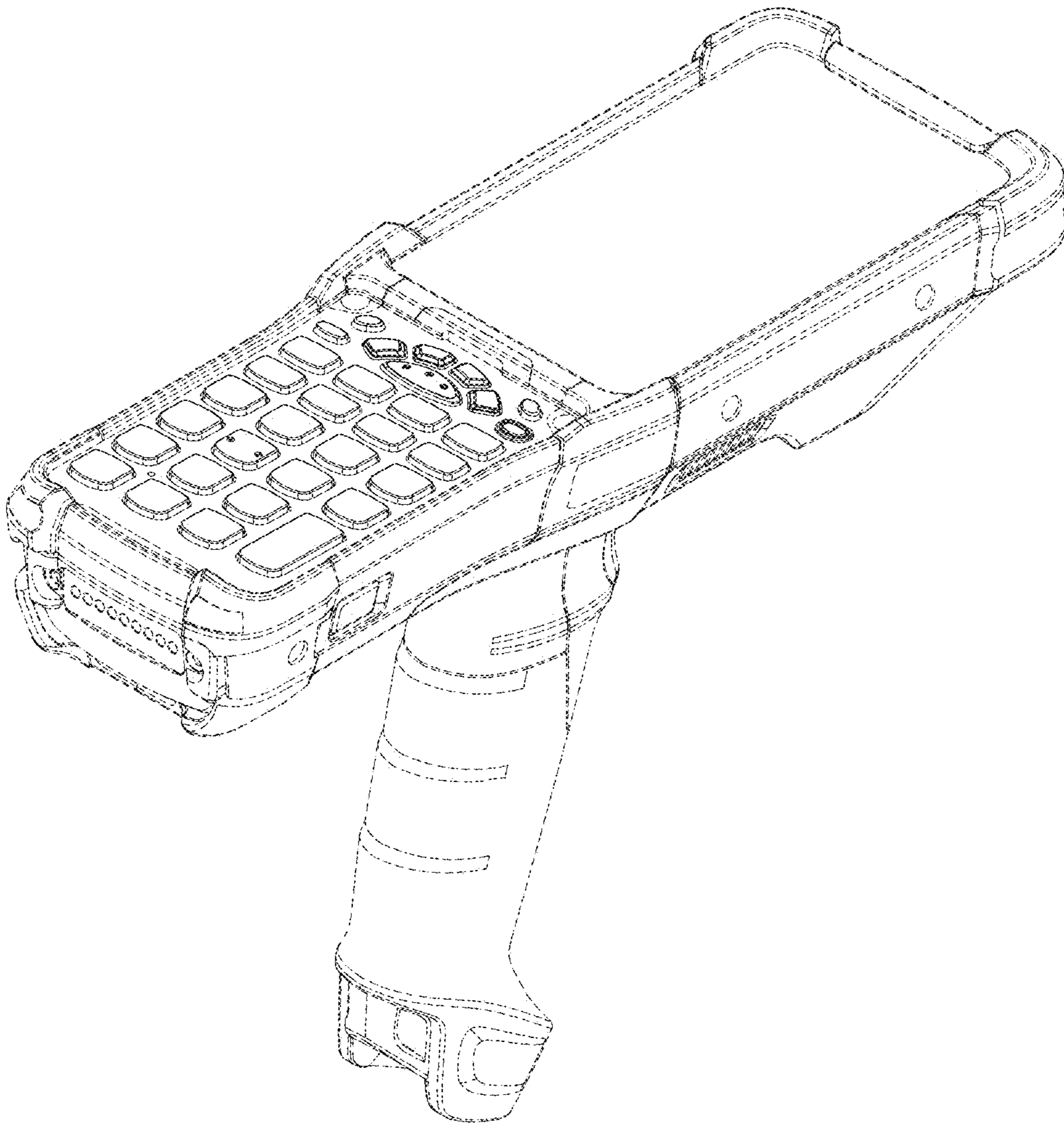


FIG. 1

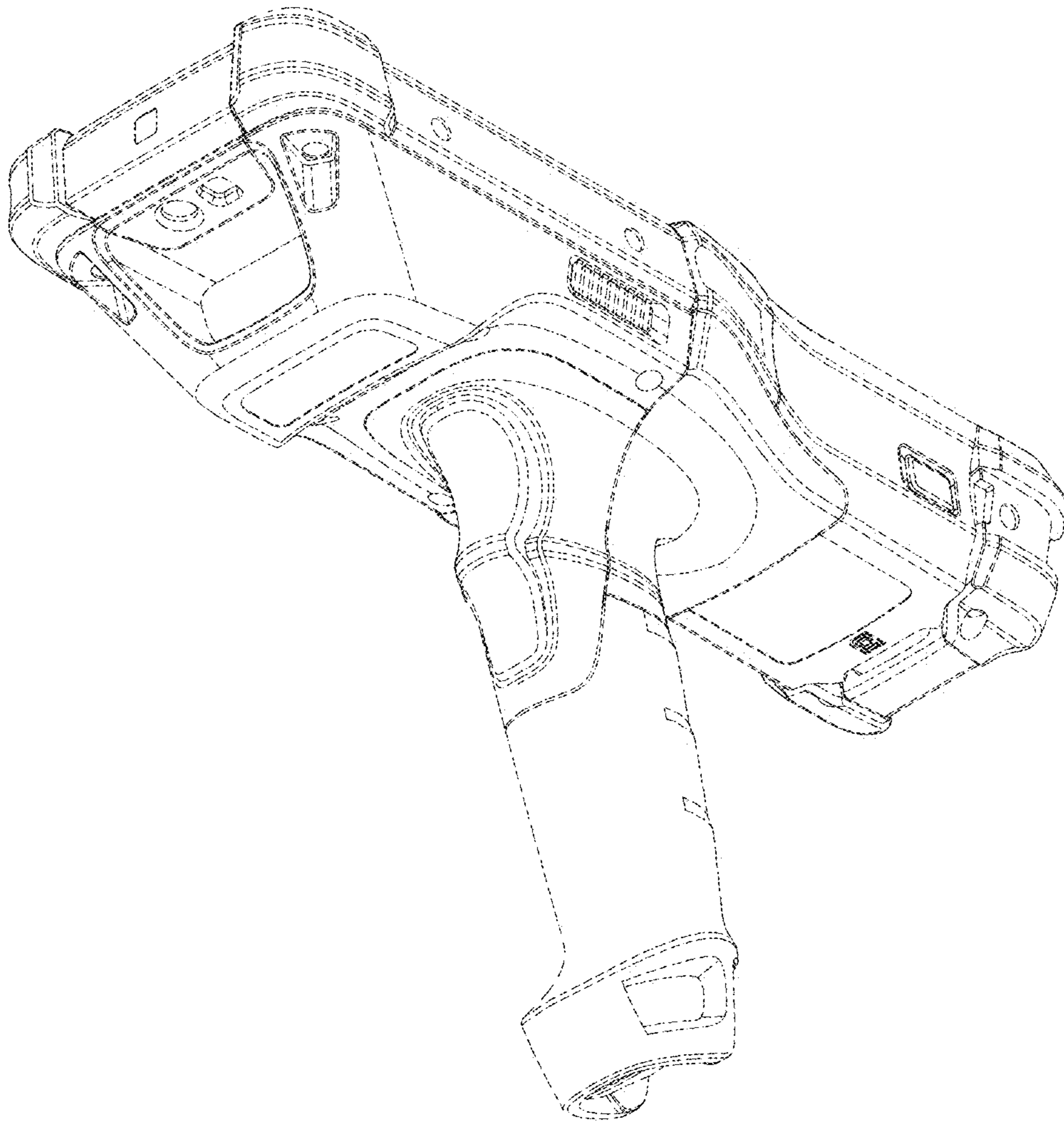


FIG. 2

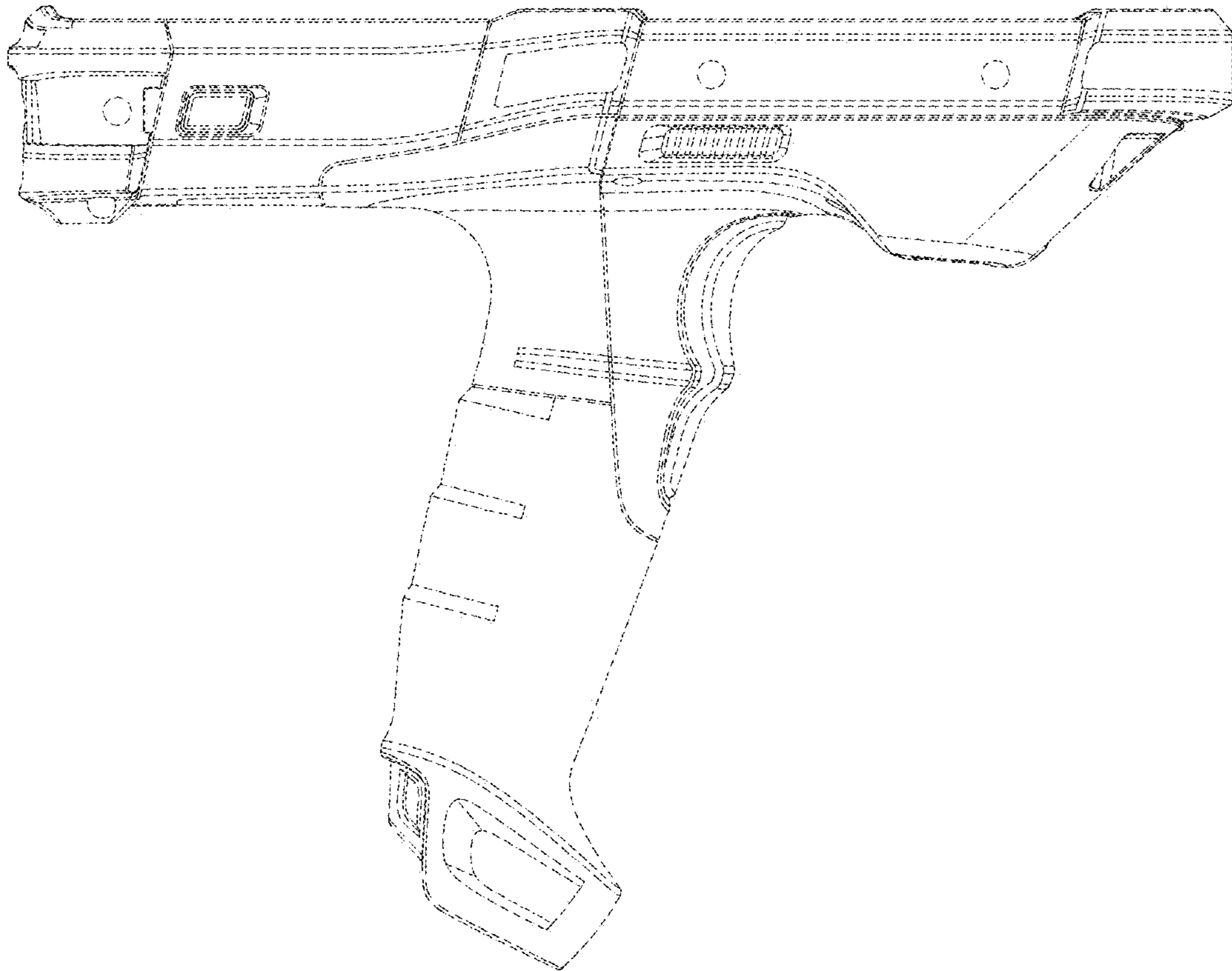


FIG. 3

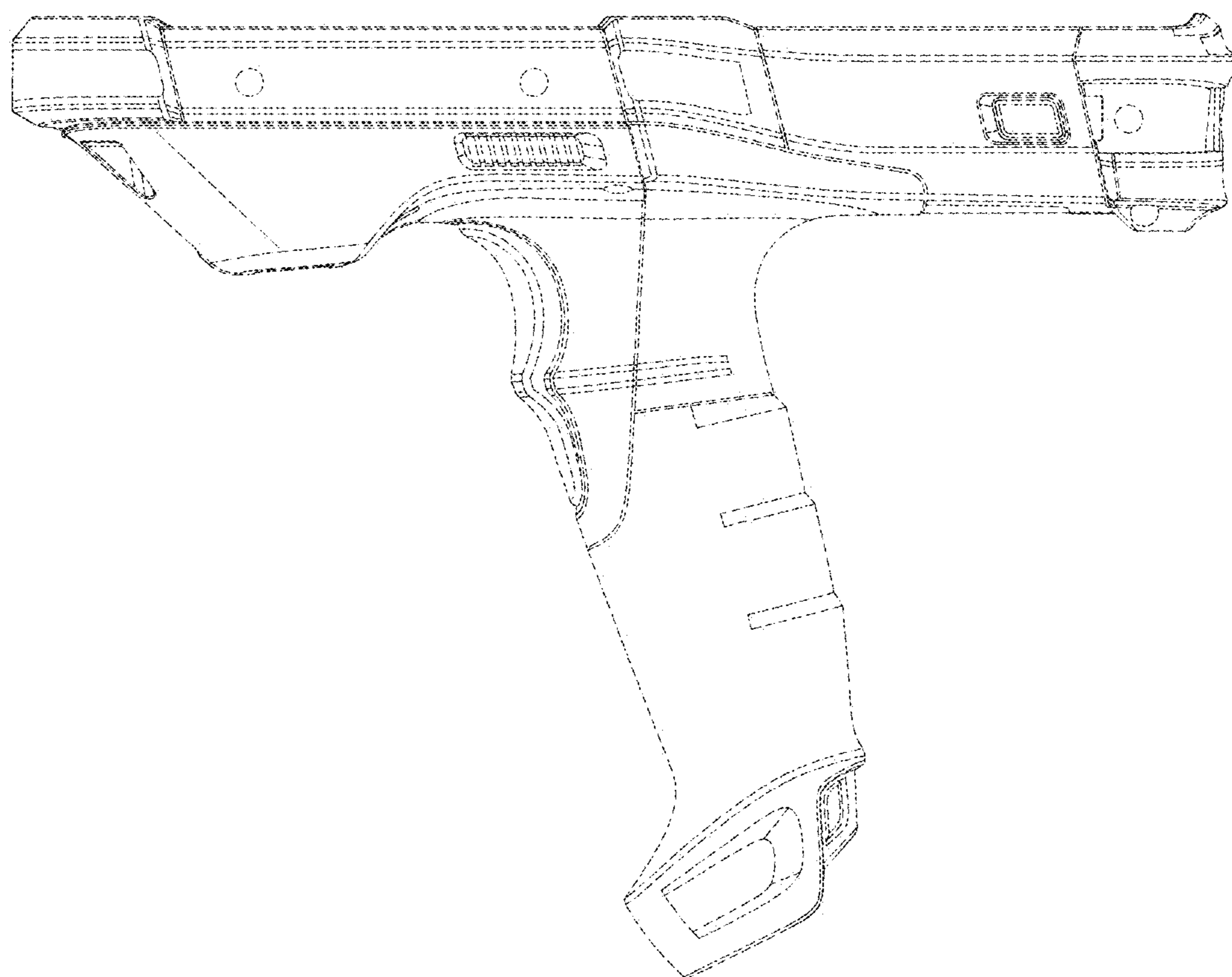


FIG. 4

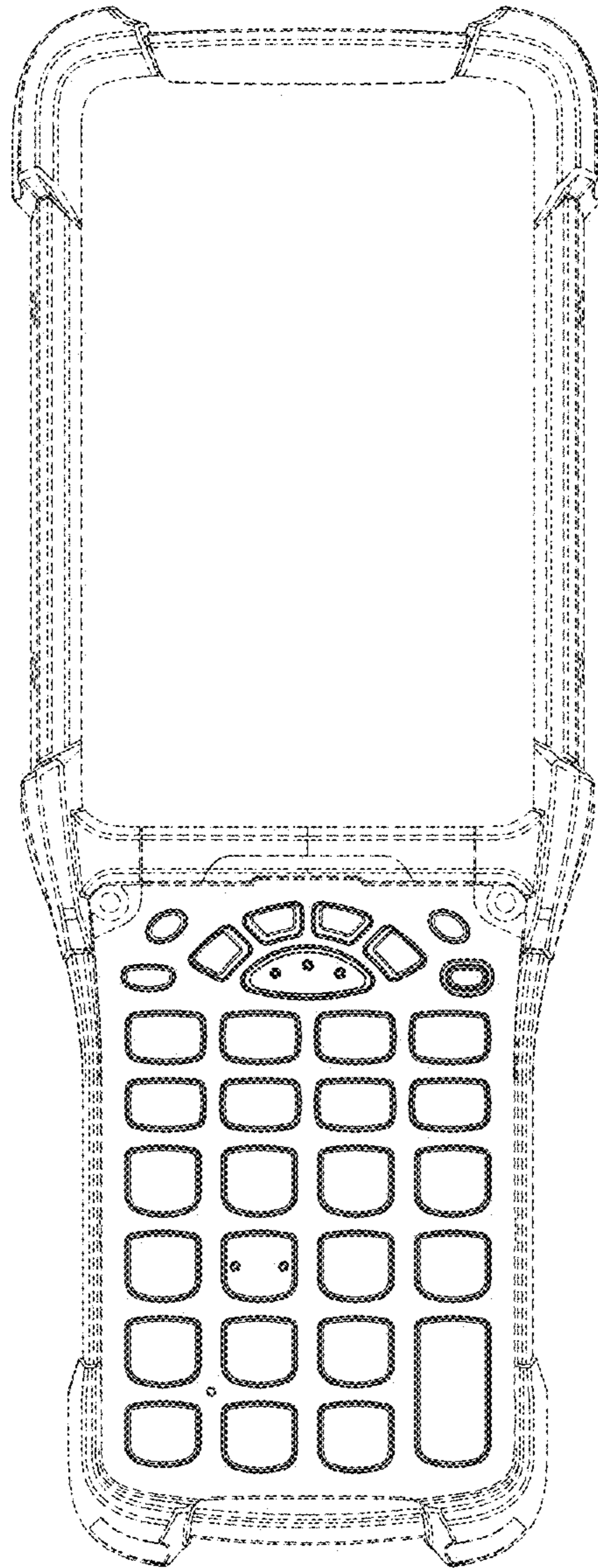


FIG. 5

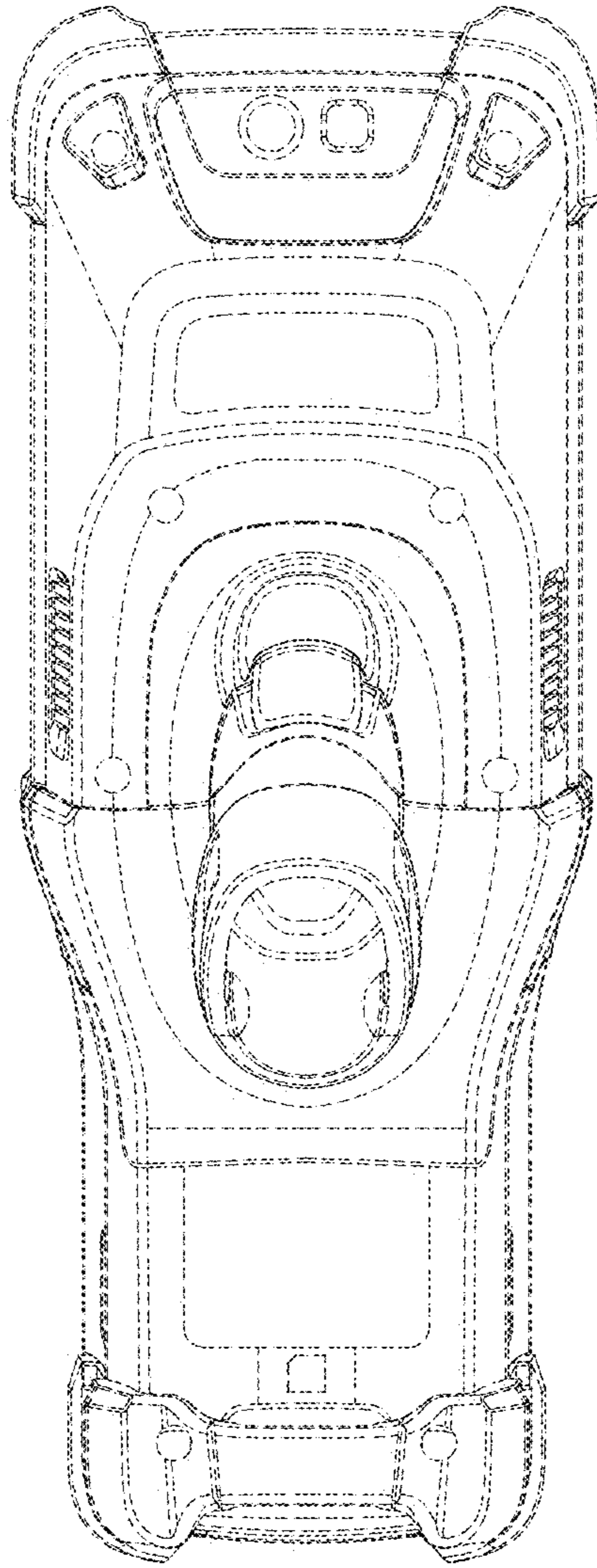


FIG. 6



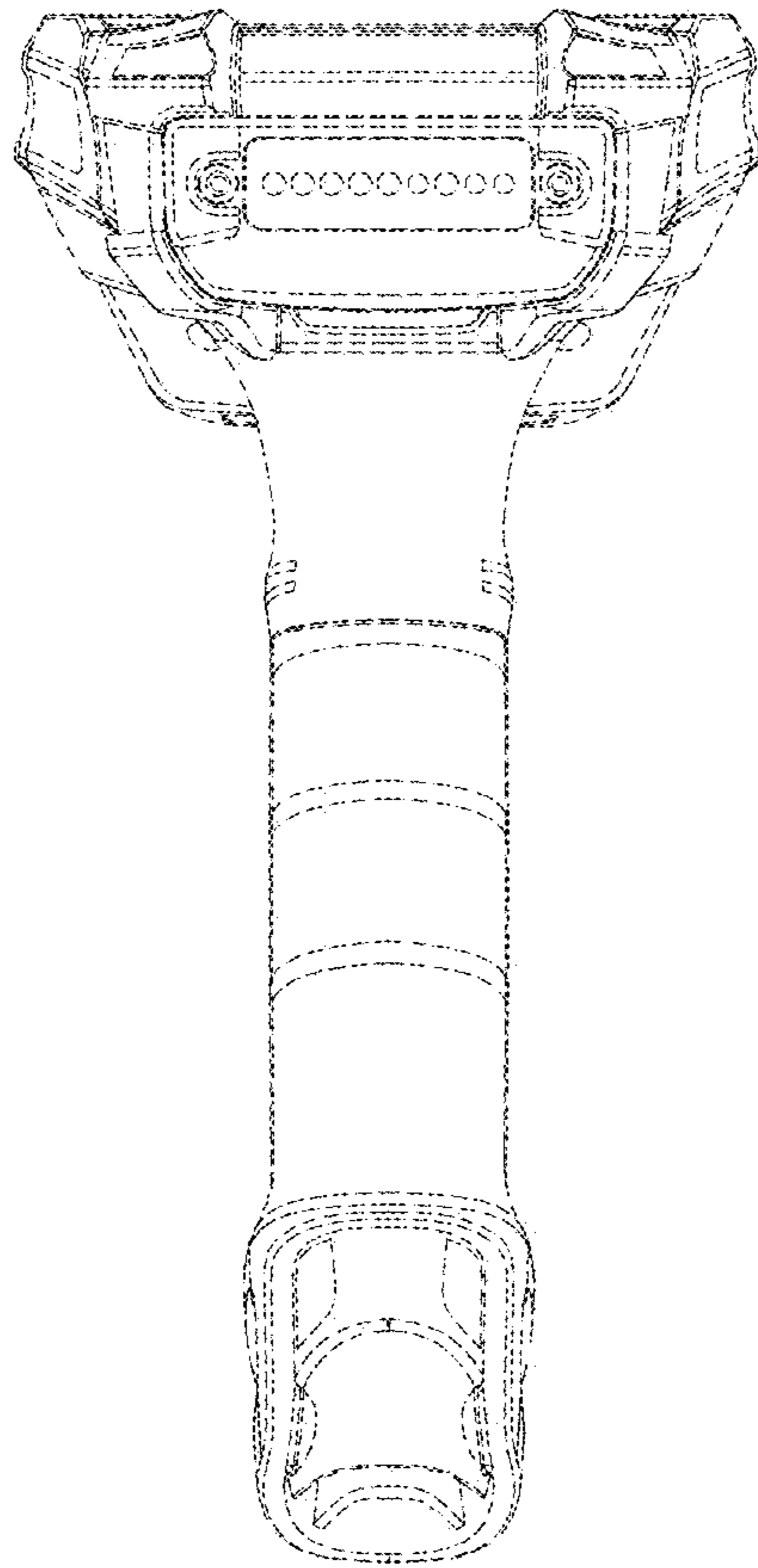


FIG. 7

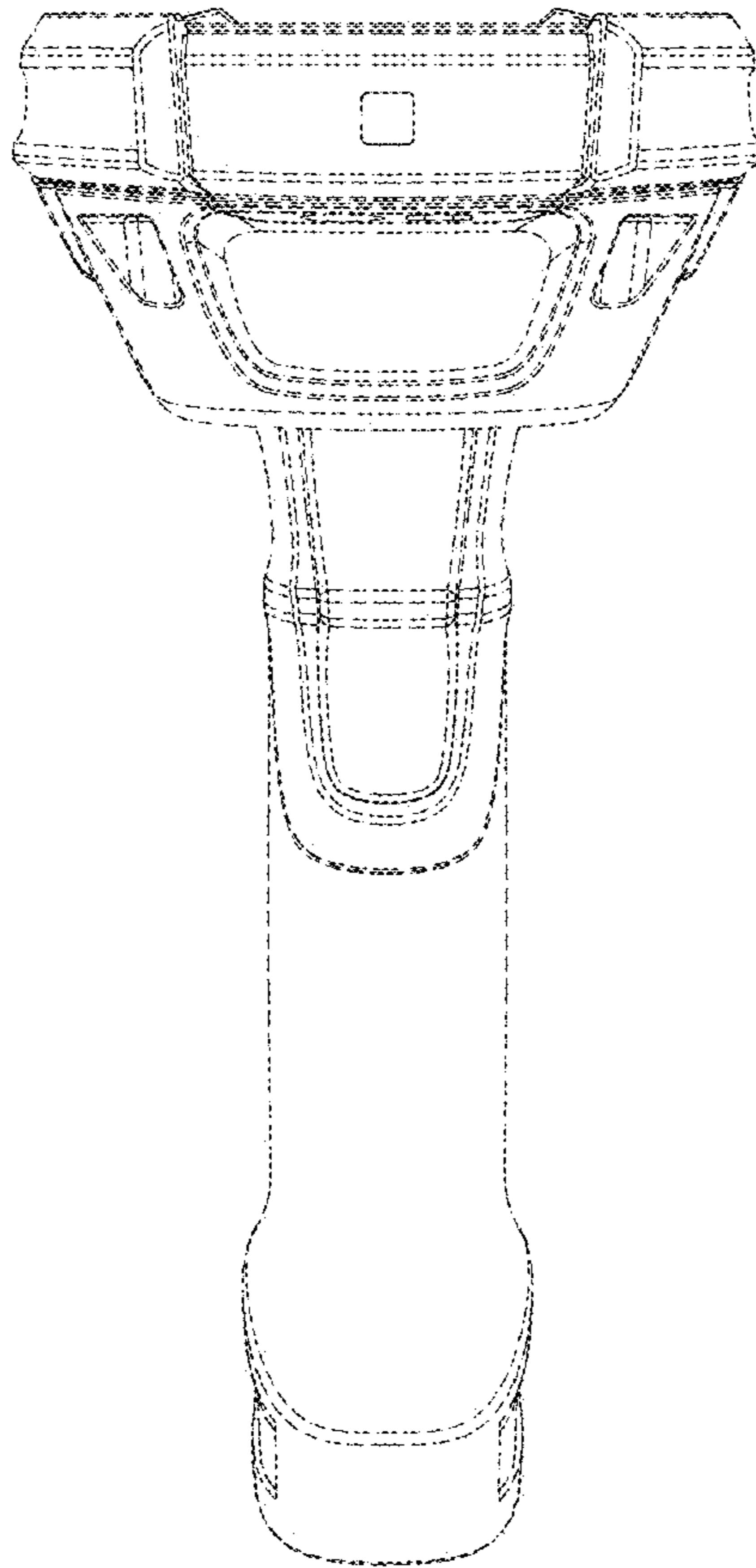


FIG. 8

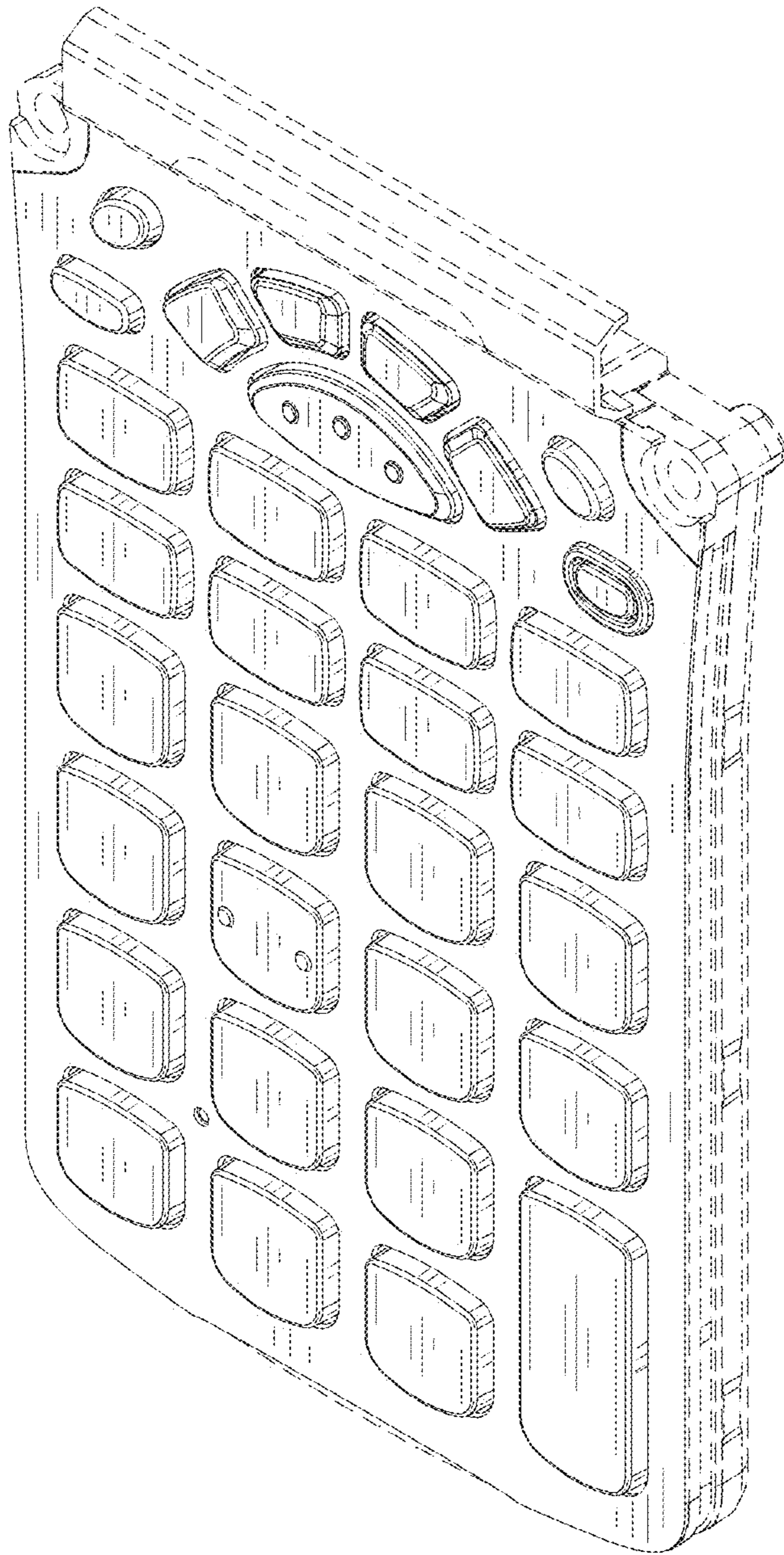


FIG. 9

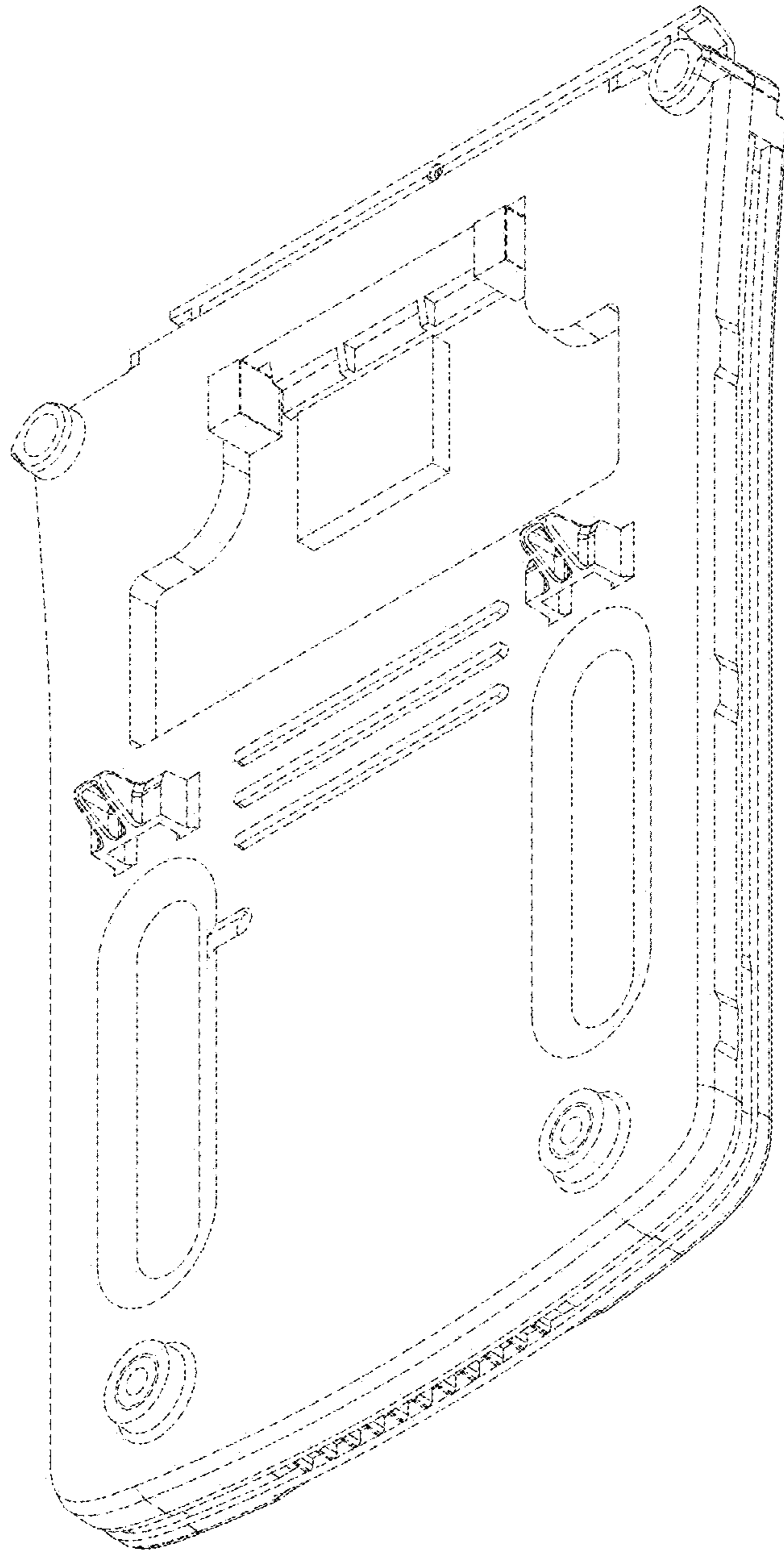


FIG. 10

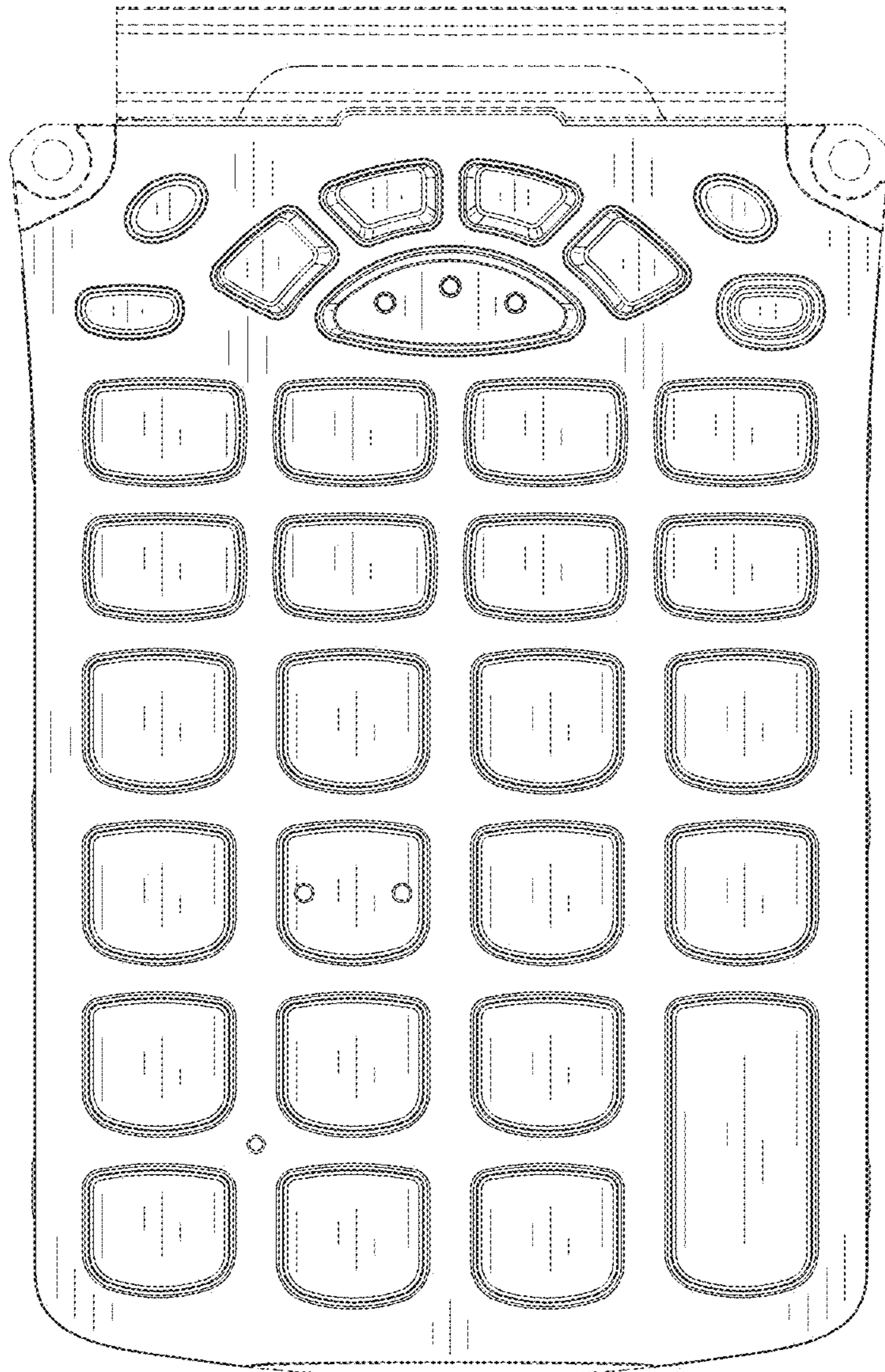


FIG. 11

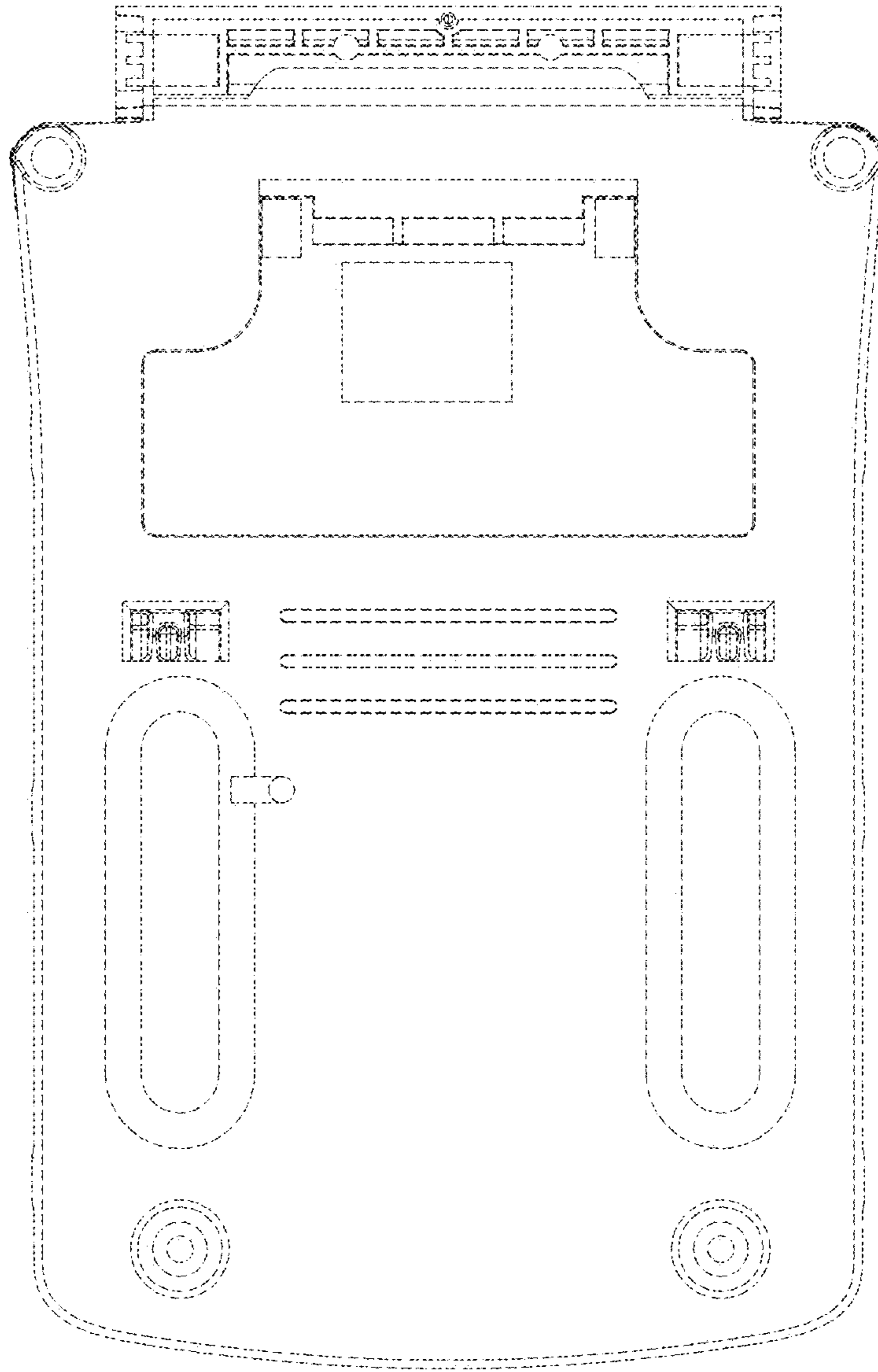


FIG. 12

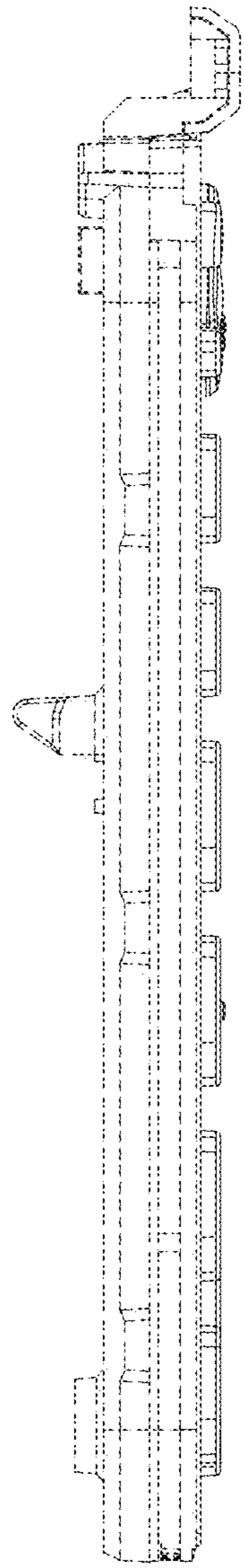


FIG. 13

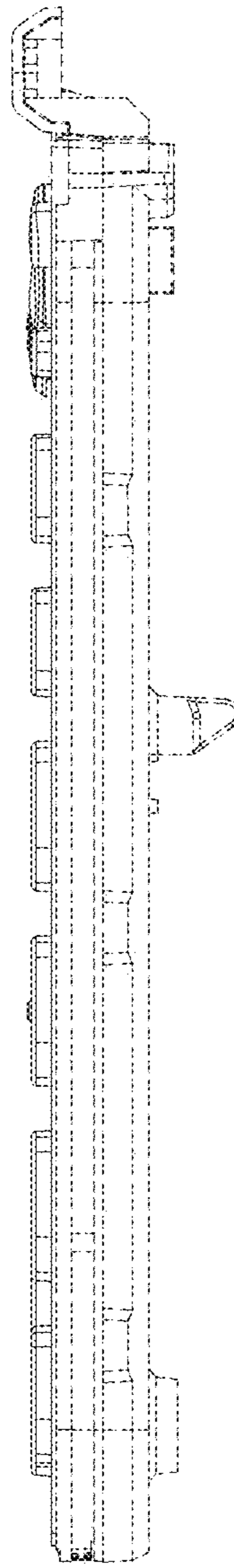


FIG. 14

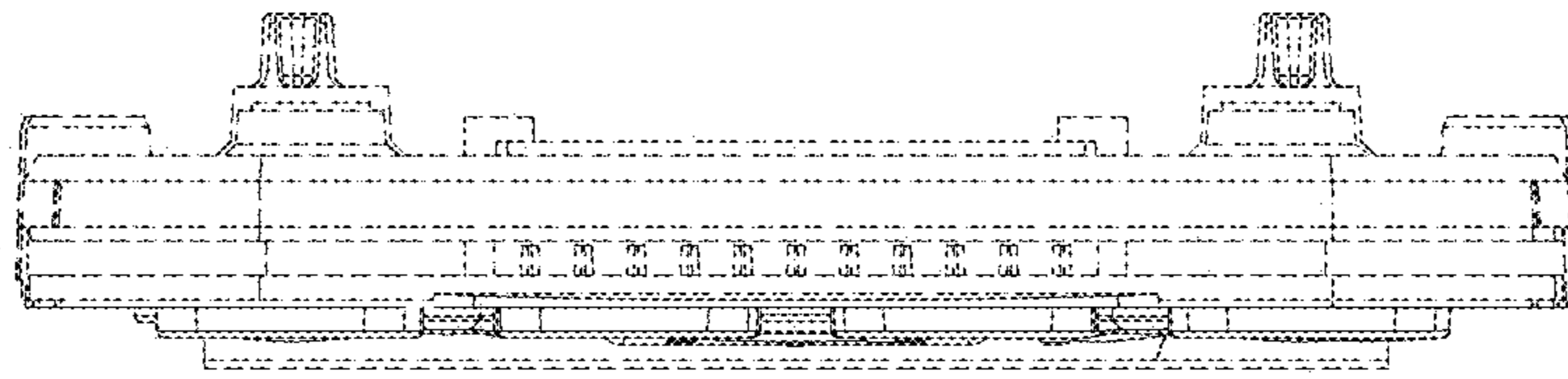


FIG. 15

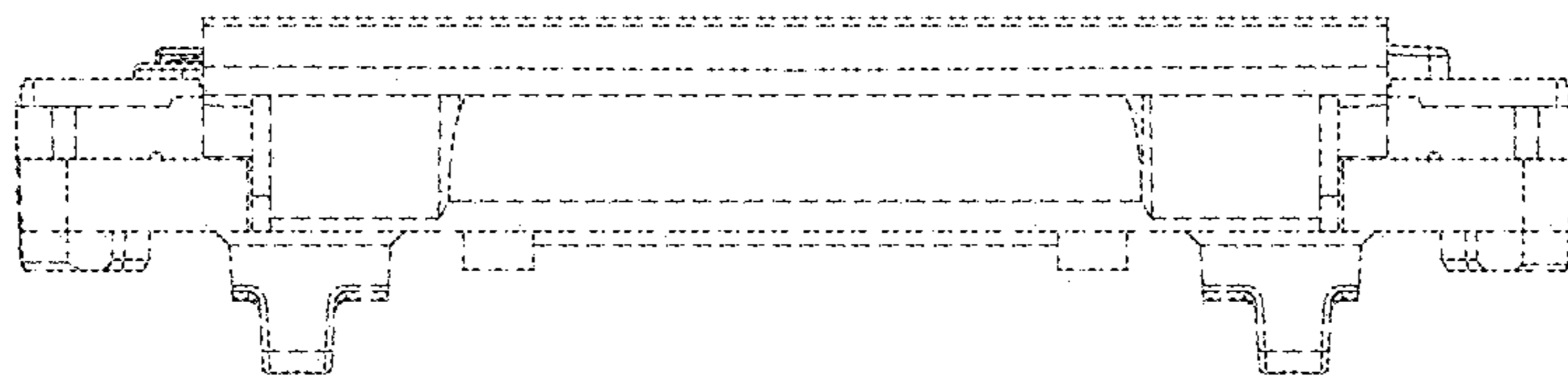


FIG. 16