



US00D967832S

(12) **United States Design Patent** (10) **Patent No.:** **US D967,832 S**
Yang (45) **Date of Patent:** **** Oct. 25, 2022**

(54) **LAPTOP HOLDER**

(56) **References Cited**

(71) Applicant: **SHENZHEN GREEN GIANT ENERGY TECHNOLOGY DEVELOPMENT CO., LTD.**, Shenzhen (CN)

U.S. PATENT DOCUMENTS

D694,219 S *	11/2013	Parraga Gimeno	D14/447
D788,780 S	6/2017	Chen		
D788,781 S	6/2017	Chen		
D824,916 S *	8/2018	Chen	D14/447
D907,644 S *	1/2021	Li	D14/447
D921,643 S *	6/2021	Jin	D14/447
D923,632 S *	6/2021	Li	D14/447
D940,147 S *	1/2022	Yang	D14/447
D943,597 S *	2/2022	Feng	D14/447
D944,039 S *	2/2022	Shi	D14/447
D944,807 S *	3/2022	Luo	D14/447
D944,808 S *	3/2022	Wang	D14/447
D944,809 S *	3/2022	Wang	D14/447
D946,003 S *	3/2022	Gao	D14/447
D955,398 S *	6/2022	Huang	D14/447

(72) Inventor: **Xiaoming Yang**, Shenzhen (CN)

(73) Assignee: **SHENZHEN GREEN GIANT ENERGY TECHNOLOGY DEVELOPMENT CO., LTD.**, Shenzhen (CN)

(**) Term: **15 Years**

* cited by examiner

(21) Appl. No.: **29/797,725**

Primary Examiner — Angela J Lee

(22) Filed: **Jul. 2, 2021**

(30) **Foreign Application Priority Data**

(57) **CLAIM**

Jun. 11, 2021 (EM) 008573406-0003

The ornamental design for a laptop holder, as shown and described.

(51) **LOC (13) Cl.** **14-02**

DESCRIPTION

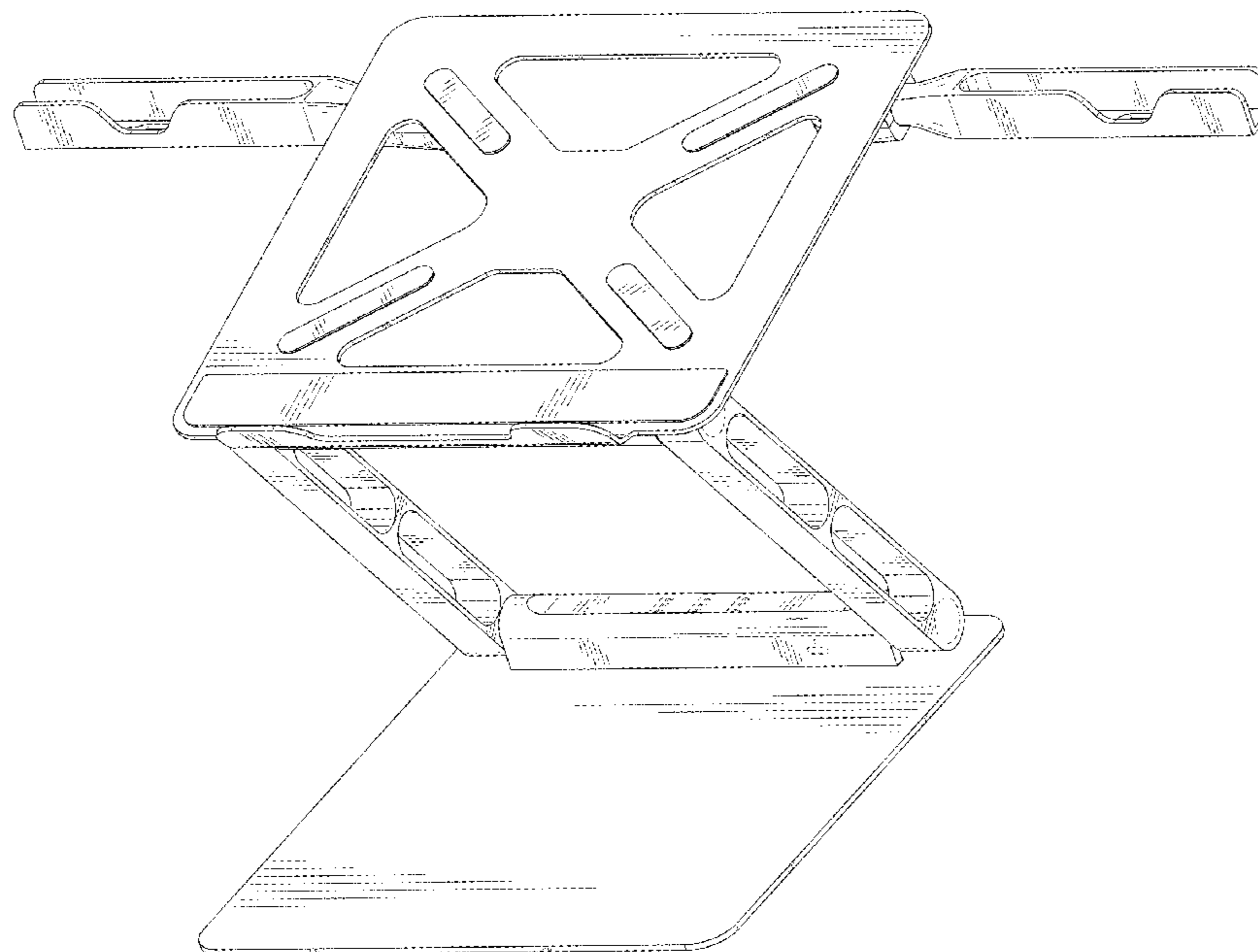
(52) **U.S. Cl.**
USPC **D14/447**

(58) **Field of Classification Search**
USPC D14/447, 432, 434, 439, 440, 451, 452, D14/457, 239, 253, 250; D8/363, 373, D8/380; D6/406.3, 406.4, 406.5, 406.6; D12/415; D19/91; D3/218
CPC A47B 21/04; A47B 2097/006; A47B 2097/005; A47B 2023/049; A45C 2011/002; A45C 2011/003; F16M 2200/00; F16M 13/00; A45F 2200/0516; A45F 2200/0525

FIG. 1 is a perspective view of a laptop holder showing my new design;
FIG. 2 is another perspective view thereof;
FIG. 3 is a front elevational view thereof;
FIG. 4 is a rear elevational view thereof;
FIG. 5 is a left side elevational view thereof;
FIG. 6 is a right side elevational view thereof;
FIG. 7 is a top plan view thereof; and,
FIG. 8 is a bottom plan view thereof.
The broken lines in the drawings depict portions of the laptop holder that form no part of the claimed design.

See application file for complete search history.

1 Claim, 8 Drawing Sheets



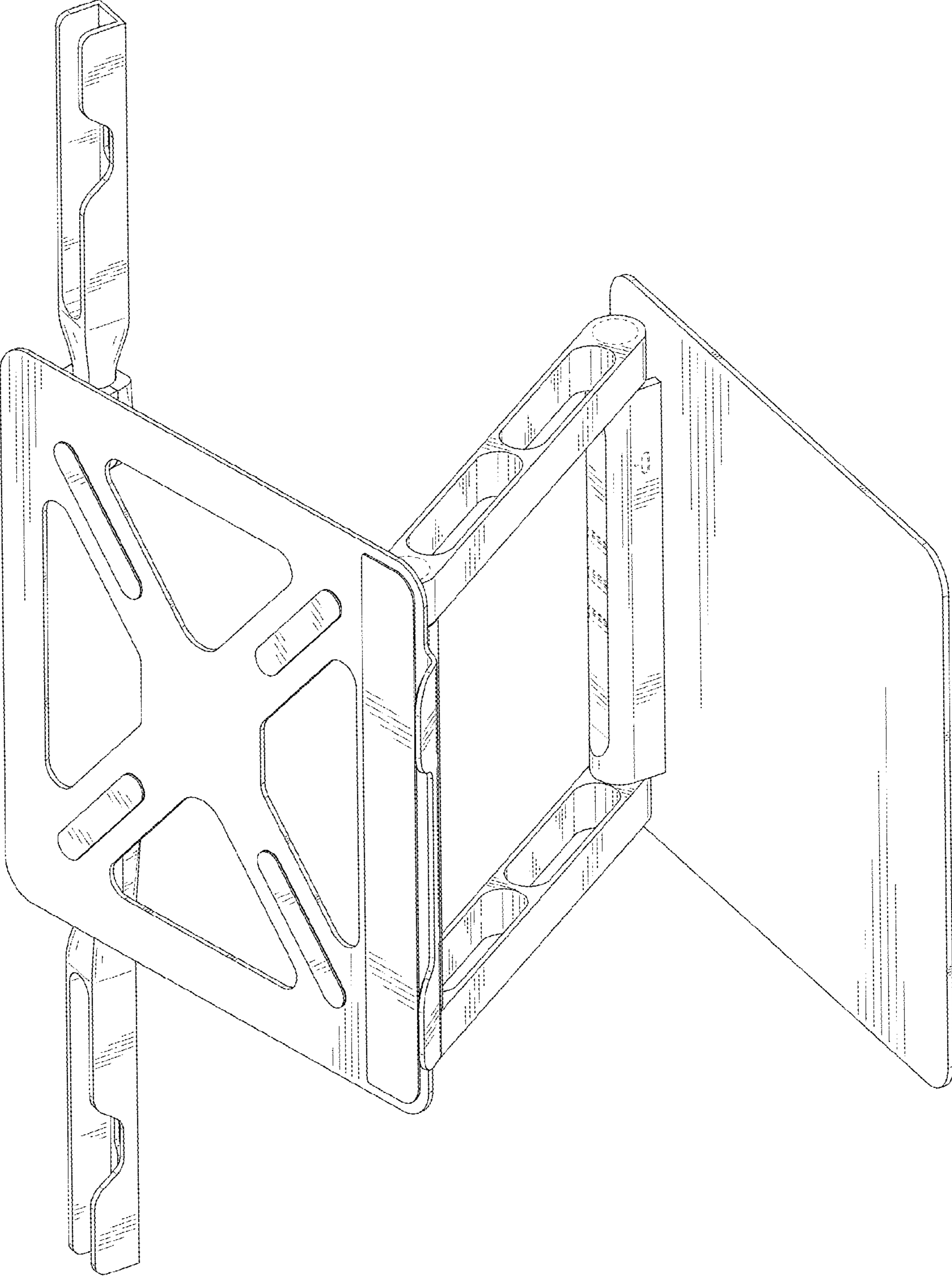


FIG. 1

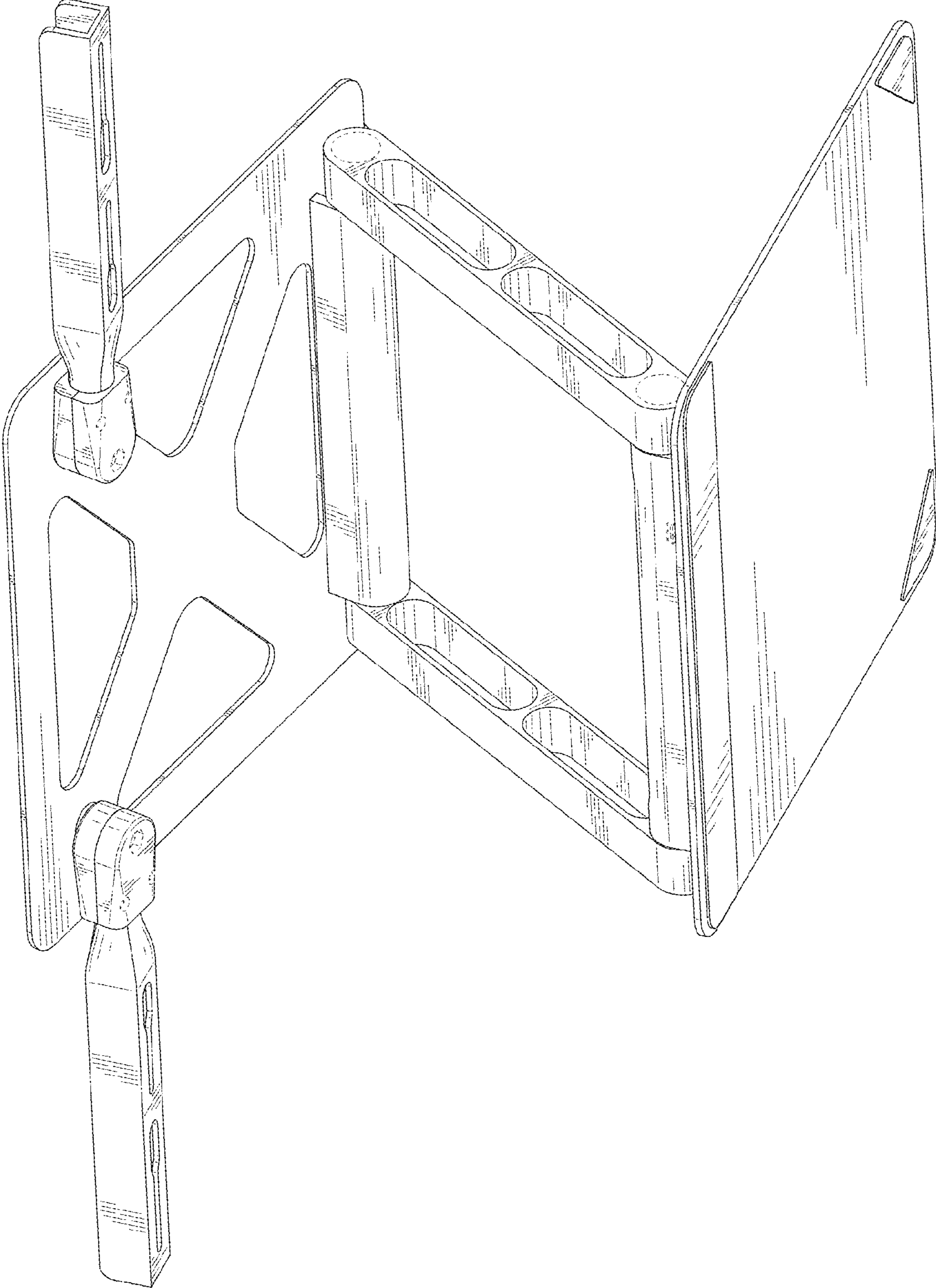


FIG. 2

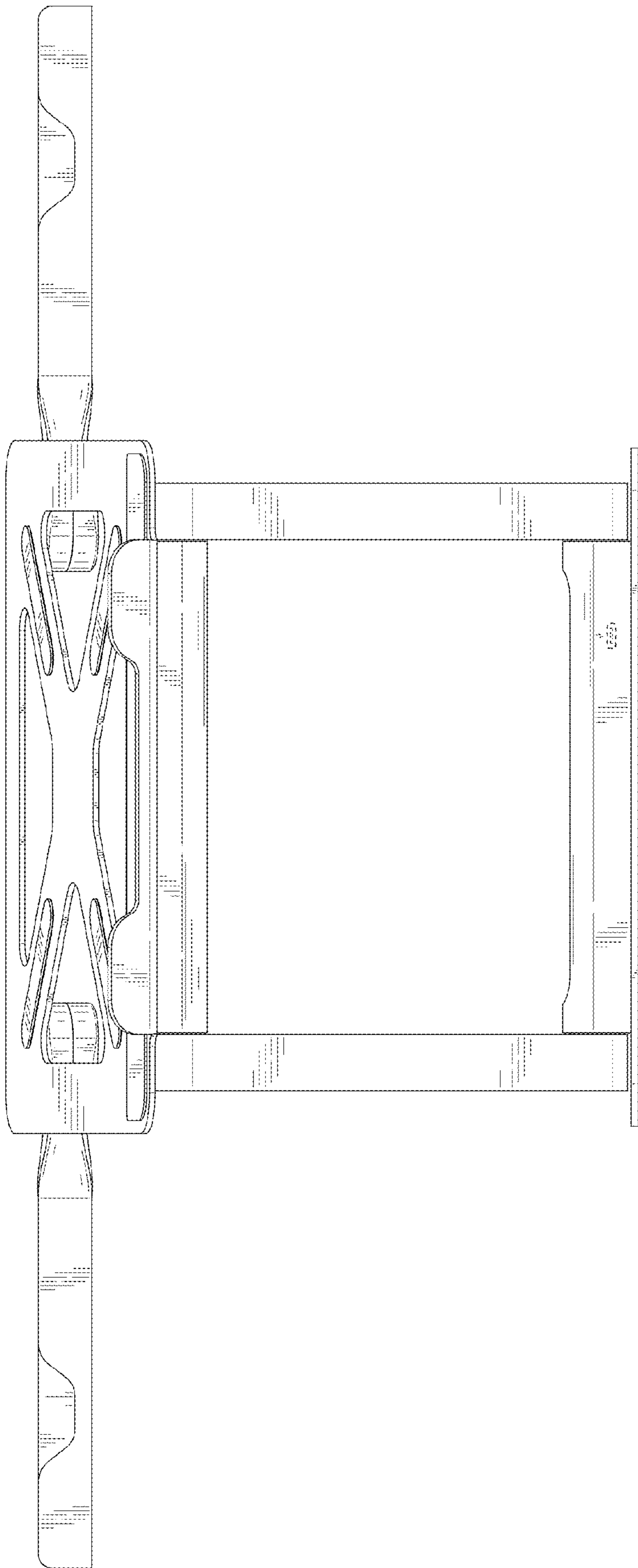


FIG. 3

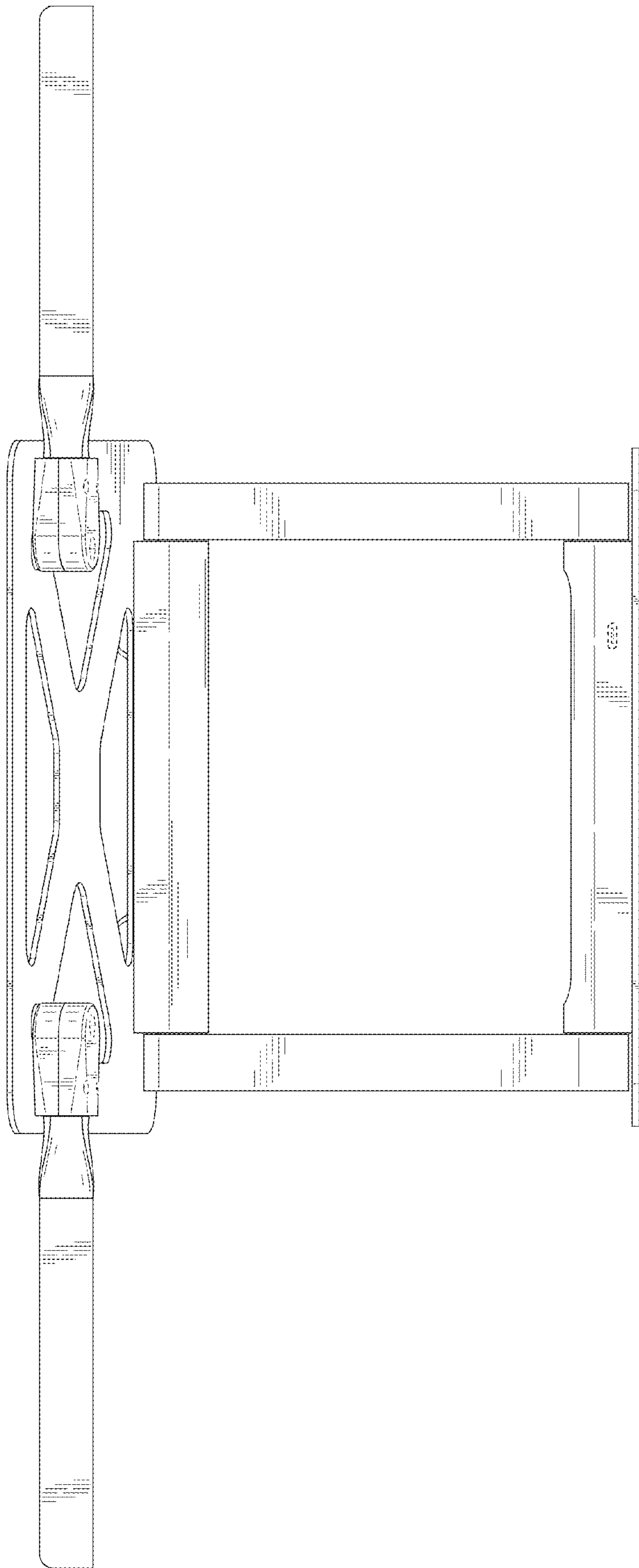


FIG. 4

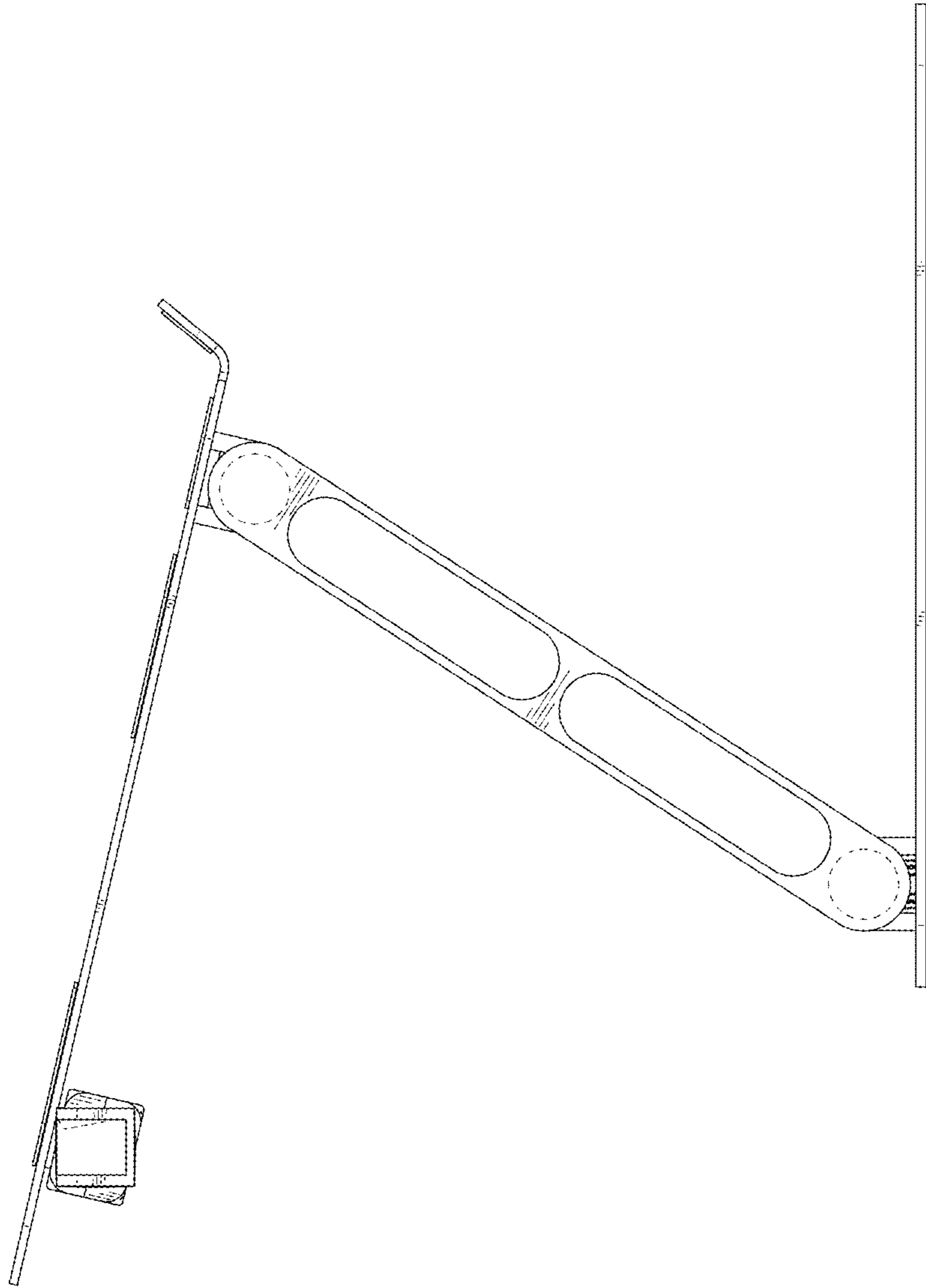


FIG. 5

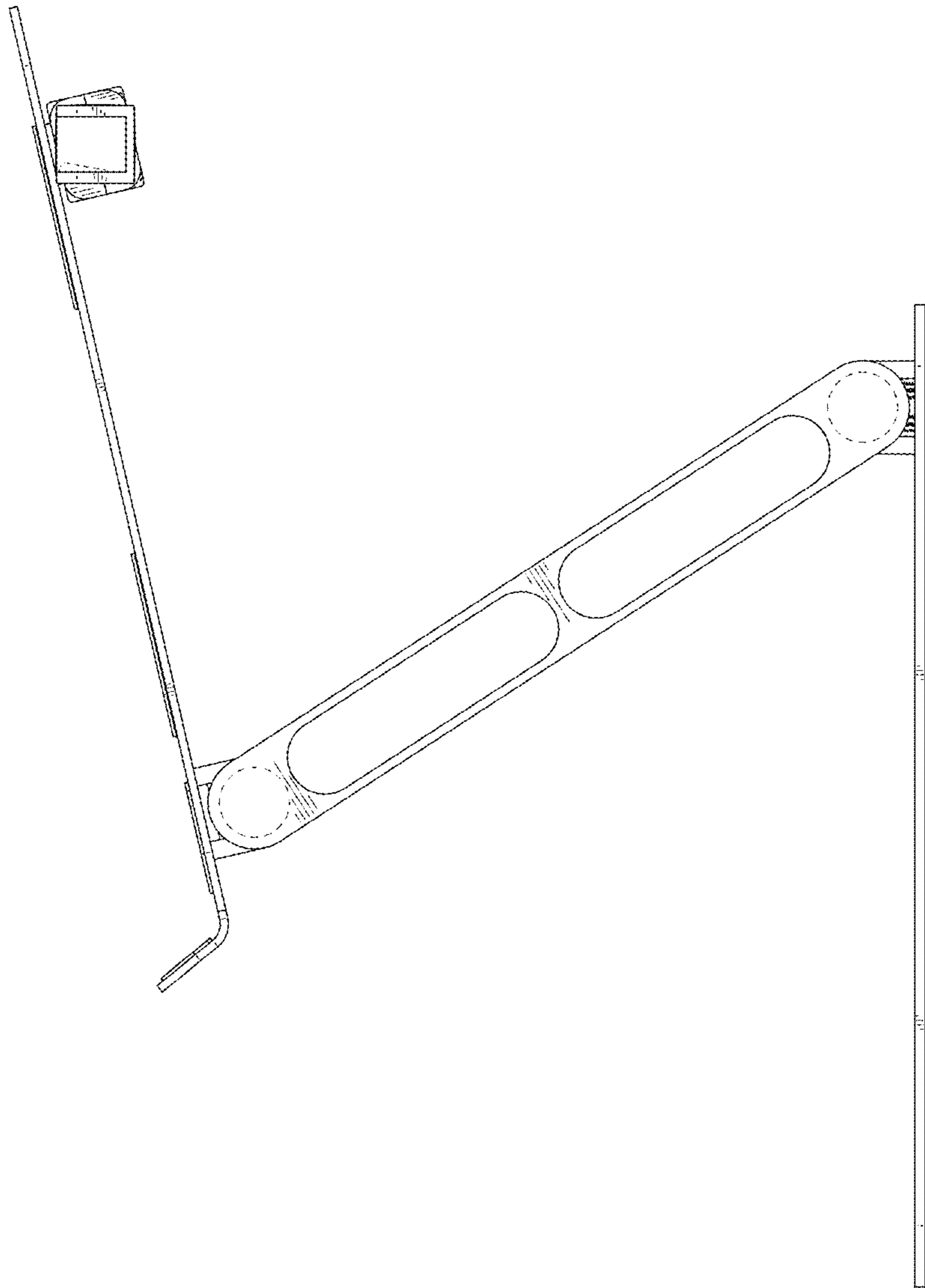


FIG. 6

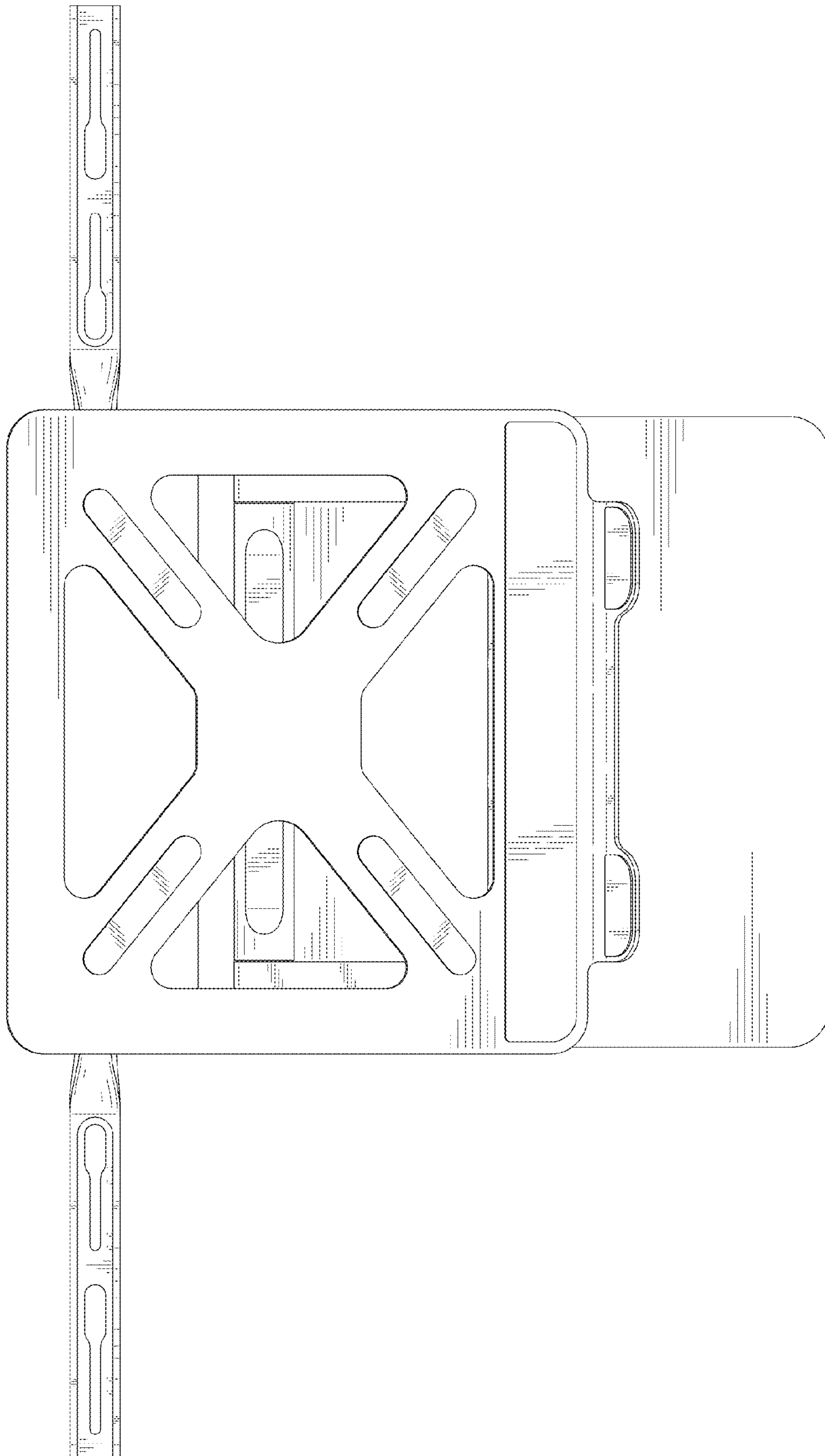


FIG. 7

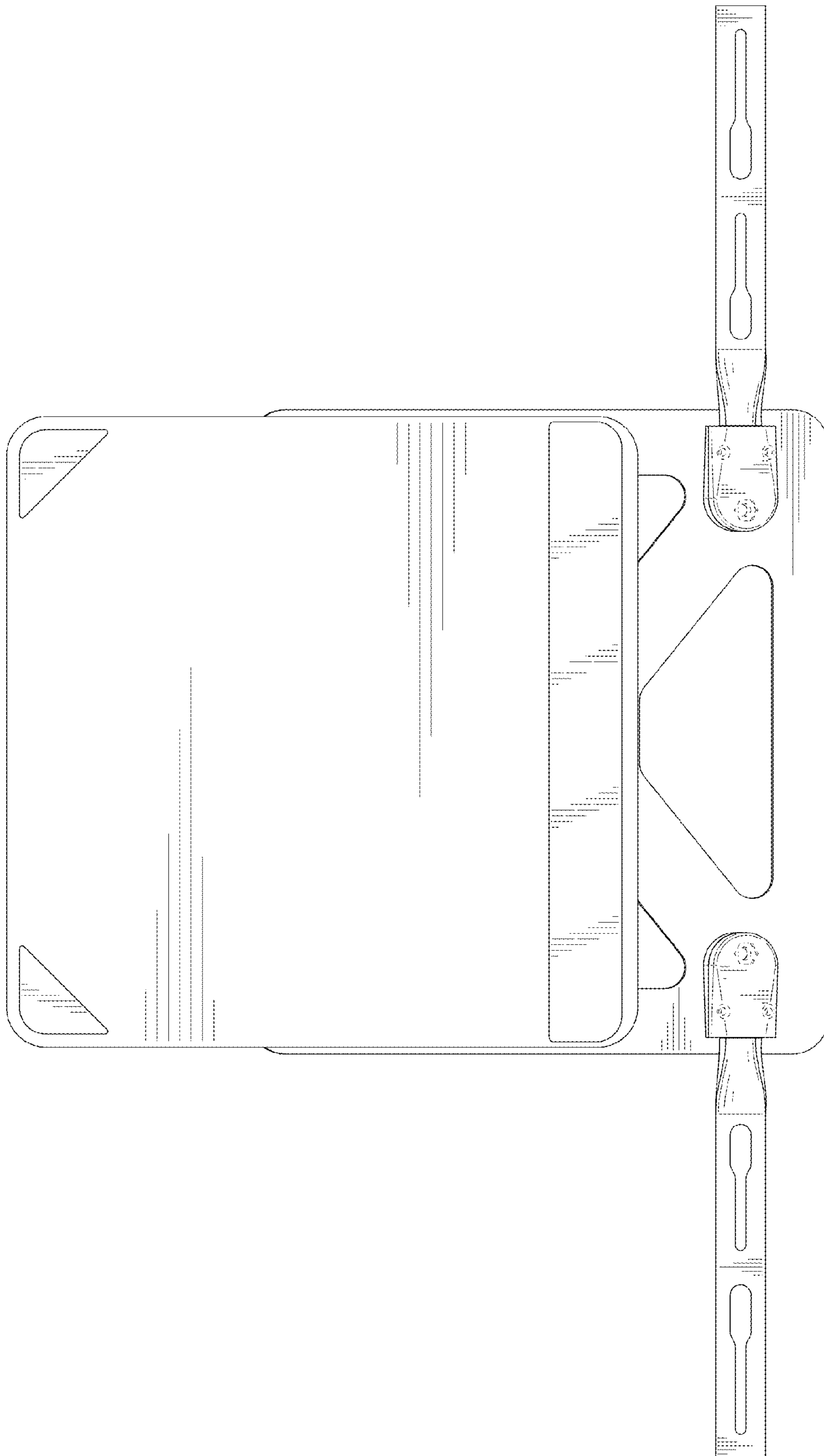


FIG. 8