

US00D967831S

(12) **United States Design Patent** (10) **Patent No.:** **US D967,831 S**
Zeng (45) **Date of Patent:** **** Oct. 25, 2022**

(54) **TABLET CASE**
(71) Applicant: **Fuyue Zeng**, Shenzhen (CN)
(72) Inventor: **Fuyue Zeng**, Shenzhen (CN)
(**) Term: **15 Years**
(21) Appl. No.: **29/844,231**
(22) Filed: **Jun. 28, 2022**
(51) **LOC (13) Cl.** **14-02**
(52) **U.S. Cl.**
USPC **D14/440**
(58) **Field of Classification Search**
USPC D14/440, 447, 250; 361/679.55;
206/45.23, 320, 45.2; 294/25;
455/575.8; D3/294
CPC ... G06F 1/1628; G06F 1/1626; A47B 23/044;
A45C 11/00
See application file for complete search history.

D912,282 S * 3/2021 Kim D26/28
D920,982 S * 6/2021 Xu D14/440
D930,002 S * 9/2021 Zhou D14/440
D937,275 S * 11/2021 Cheng D14/440
D942,456 S * 2/2022 Liao D14/440
D944,256 S * 2/2022 Cheng D14/440
D946,579 S * 3/2022 Tan D14/440
D949,153 S * 4/2022 Chen D14/440
D951,261 S * 5/2022 Zhou D14/447
D960,892 S * 8/2022 Zhang D14/440

* cited by examiner

Primary Examiner — Cynthia R Underwood
(74) *Attorney, Agent, or Firm* — Runit Ranjit Kanakia

(57) **CLAIM**

The ornamental design for a tablet case, as shown and described.

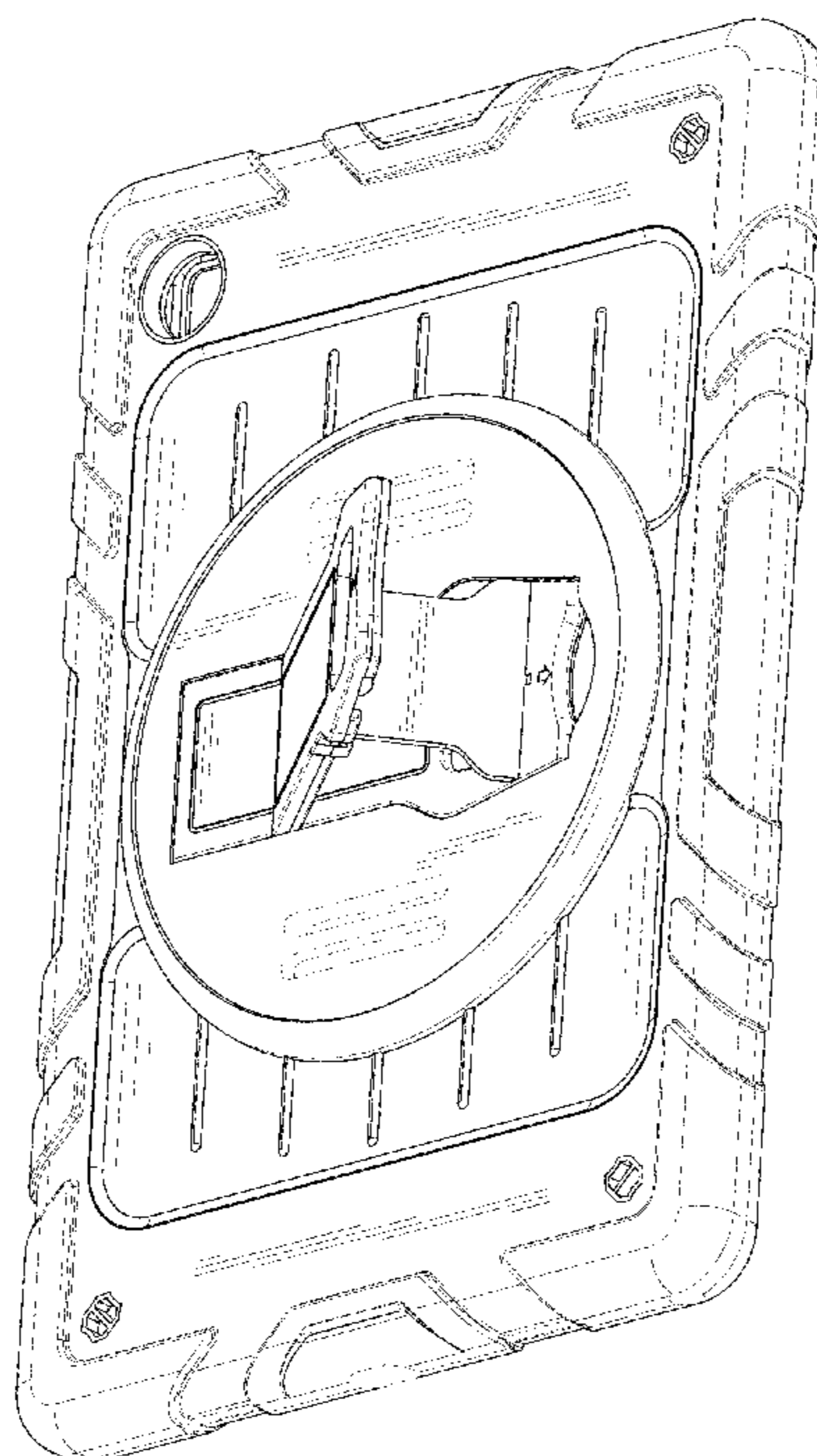
DESCRIPTION

FIG. 1 is a first perspective view of a tablet case showing my new design;
FIG. 2 is a second perspective view thereof;
FIG. 3 is a front view thereof;
FIG. 4 is a back view thereof;
FIG. 5 is a left side view thereof;
FIG. 6 is a right side view thereof;
FIG. 7 is a top view thereof;
FIG. 8 is a bottom view thereof; and,
FIG. 9 is an enlarged view of the selected portion 9 in FIG. 1.
The broken lines depicting portions of the tablet case form no part of the claim. The dot-dash-dot lines forming the circle on FIG. 1 and FIG. 9 depict the area from which the FIG. 9 enlargement was taken also form no part of the claim.

(56) **References Cited**
U.S. PATENT DOCUMENTS

D711,886 S * 8/2014 Kerawala D14/440
9,074,725 B2 * 7/2015 Trotsky F16M 11/105
9,918,545 B2 * 3/2018 van Hooft F16B 1/00
D837,219 S * 1/2019 Gao D14/440
D847,817 S * 5/2019 Cheng D14/440
D851,649 S * 6/2019 Tan D14/440
D858,507 S * 9/2019 Jang D14/251
D883,987 S * 5/2020 Cheng D14/440
D891,435 S * 7/2020 Cheng D14/440
D897,348 S * 9/2020 Liao D14/440
D897,349 S * 9/2020 Li
D898,036 S * 10/2020 Cheng D14/440
D904,413 S 12/2020 Feng
D910,640 S 2/2021 Li

1 Claim, 9 Drawing Sheets



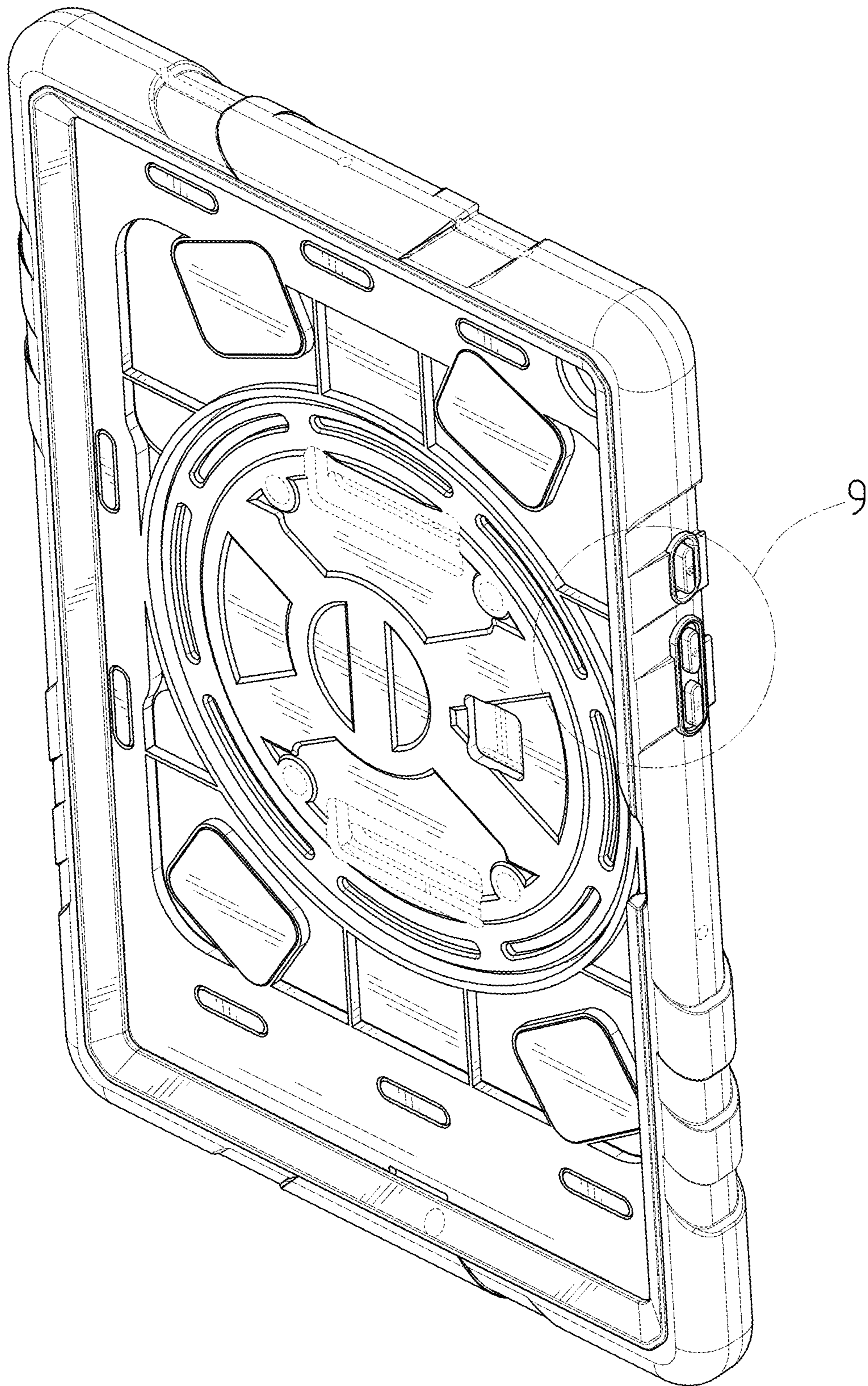


FIG. 1

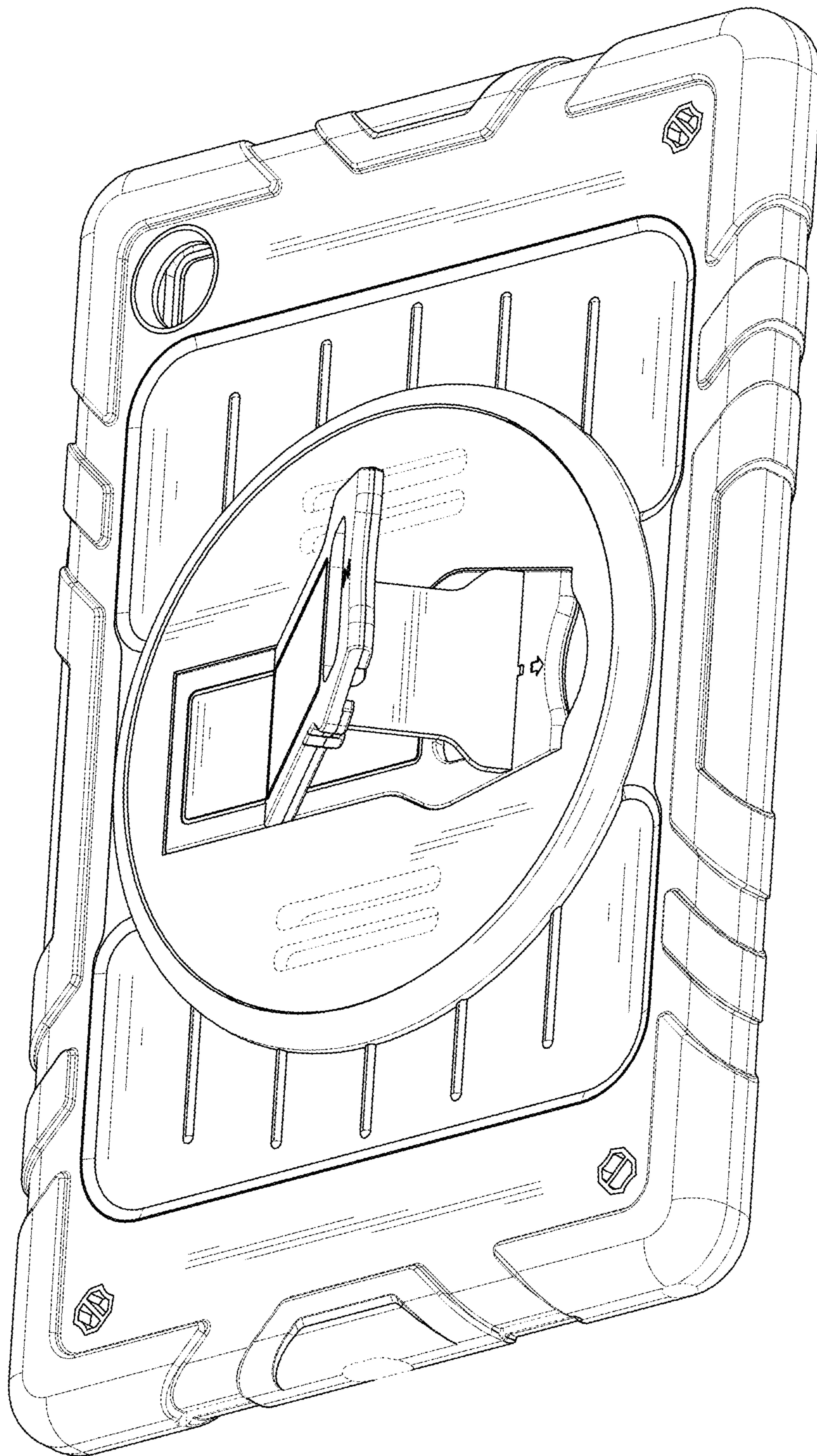


FIG. 2

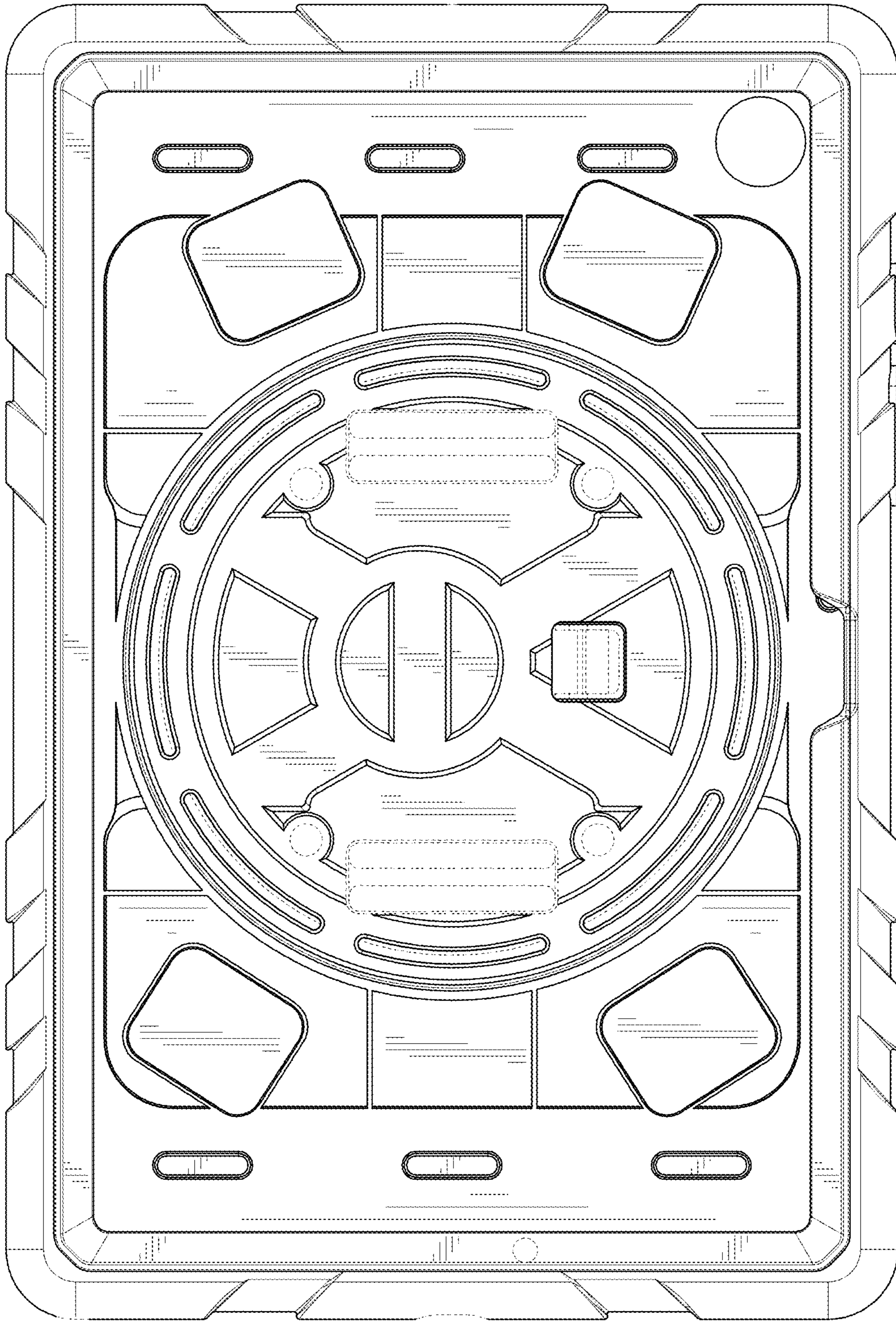


FIG. 3

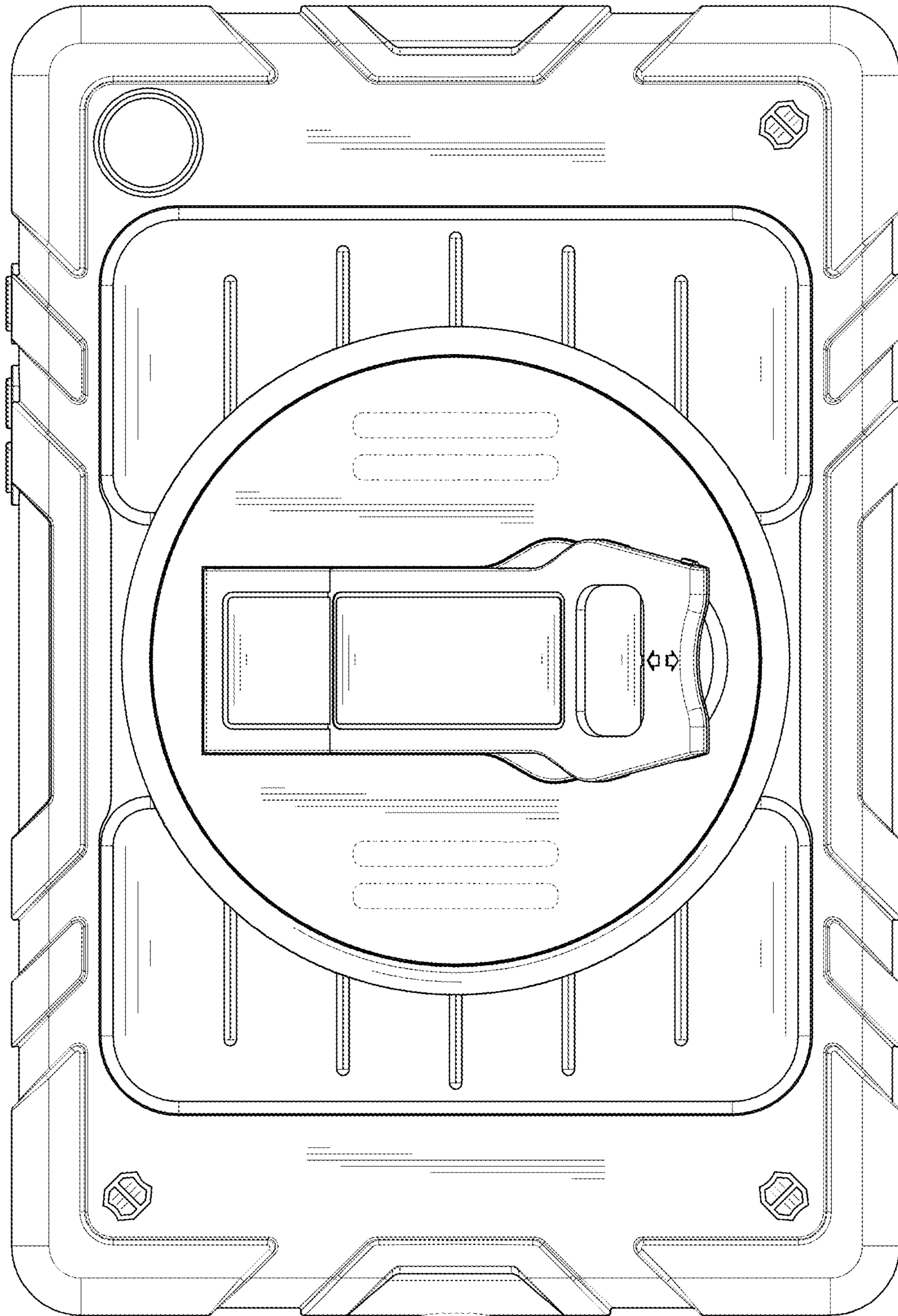


FIG. 4

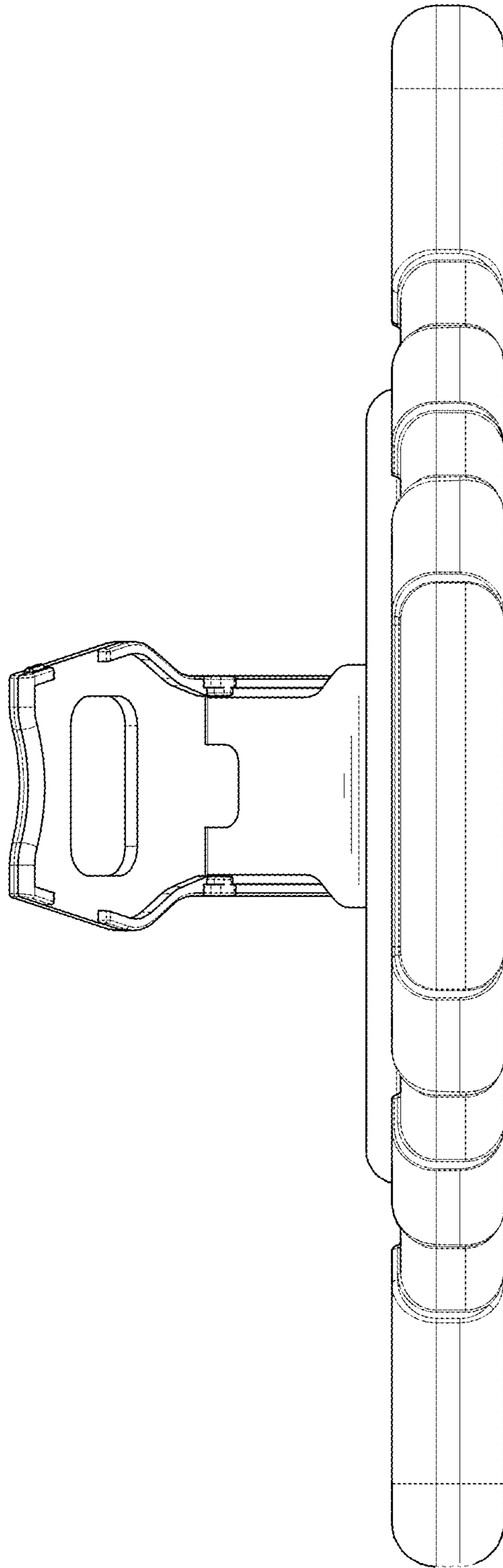


FIG. 5

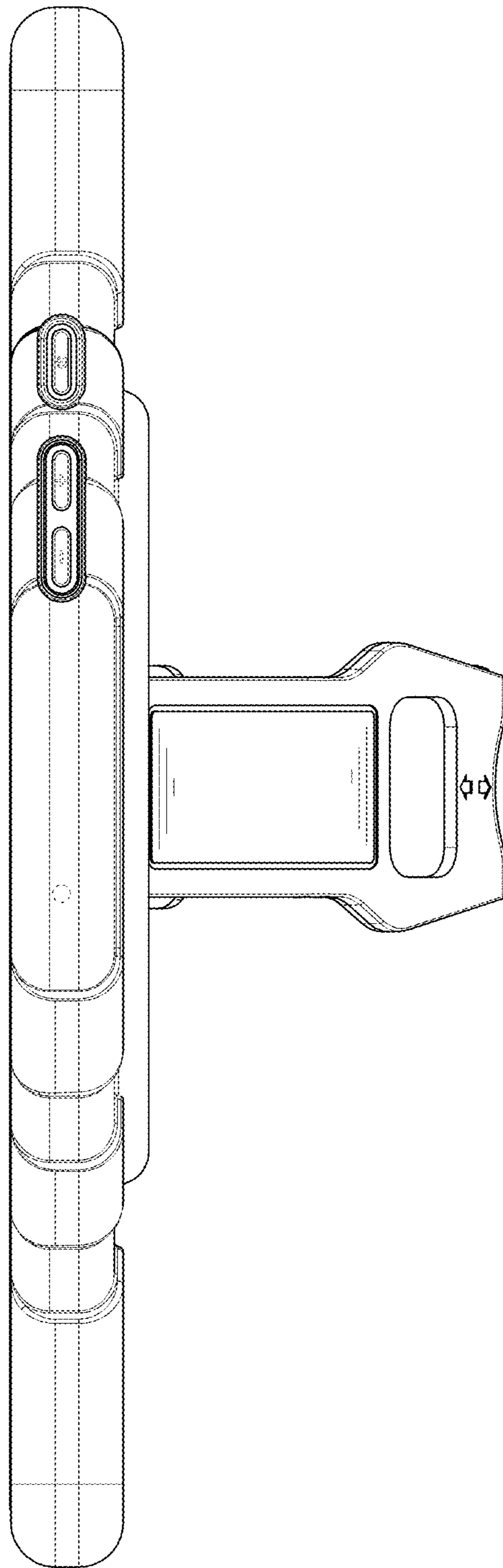


FIG. 6

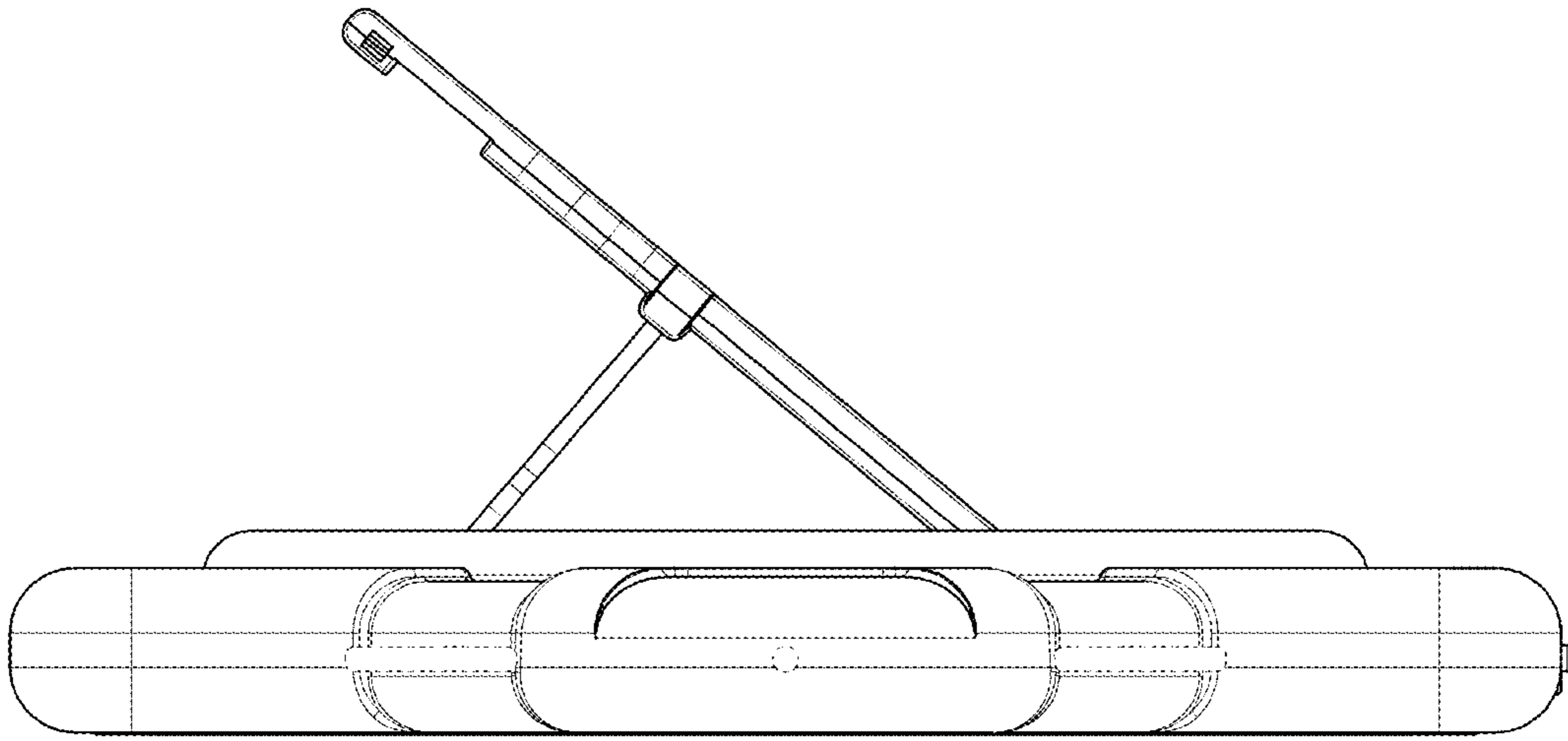


FIG. 7

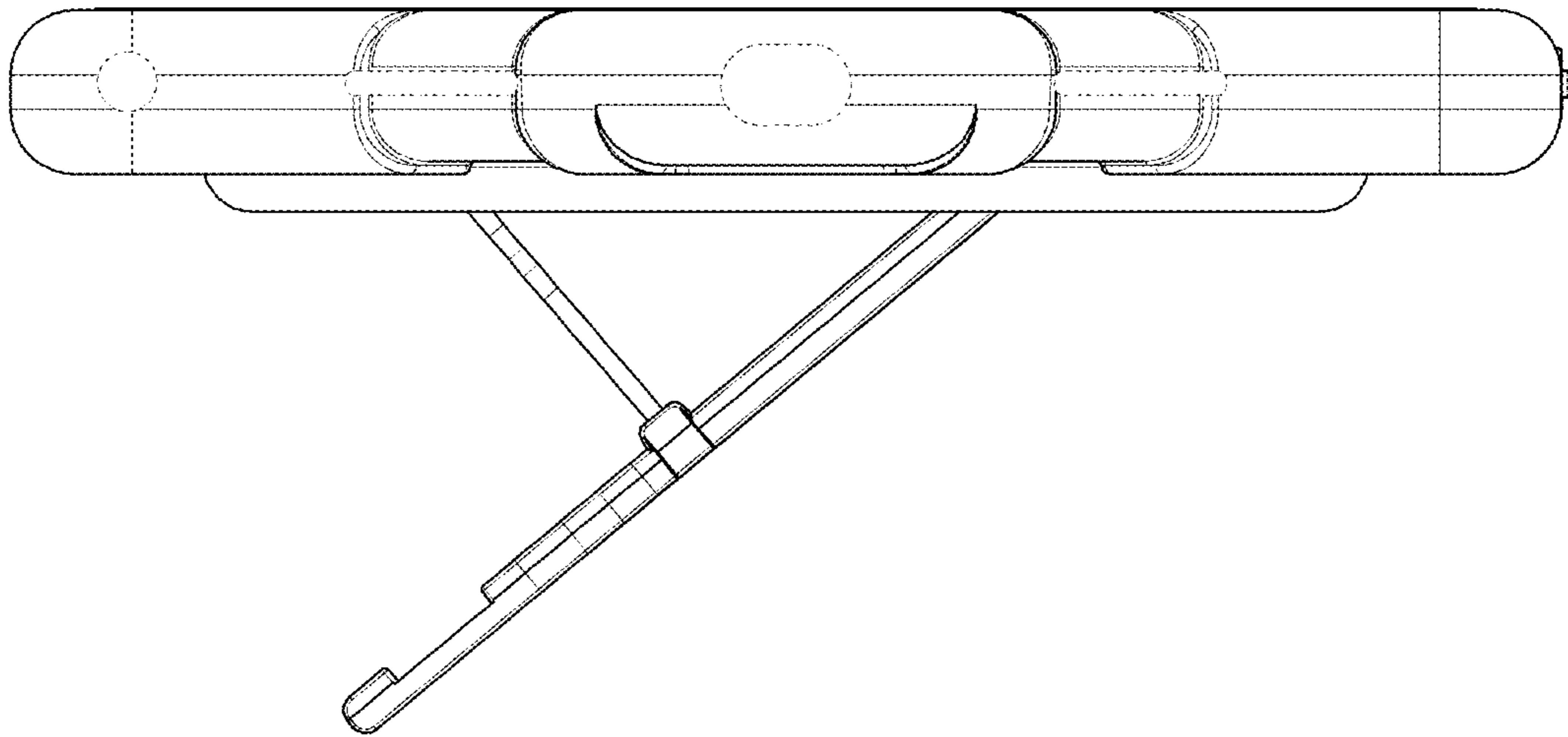


FIG. 8

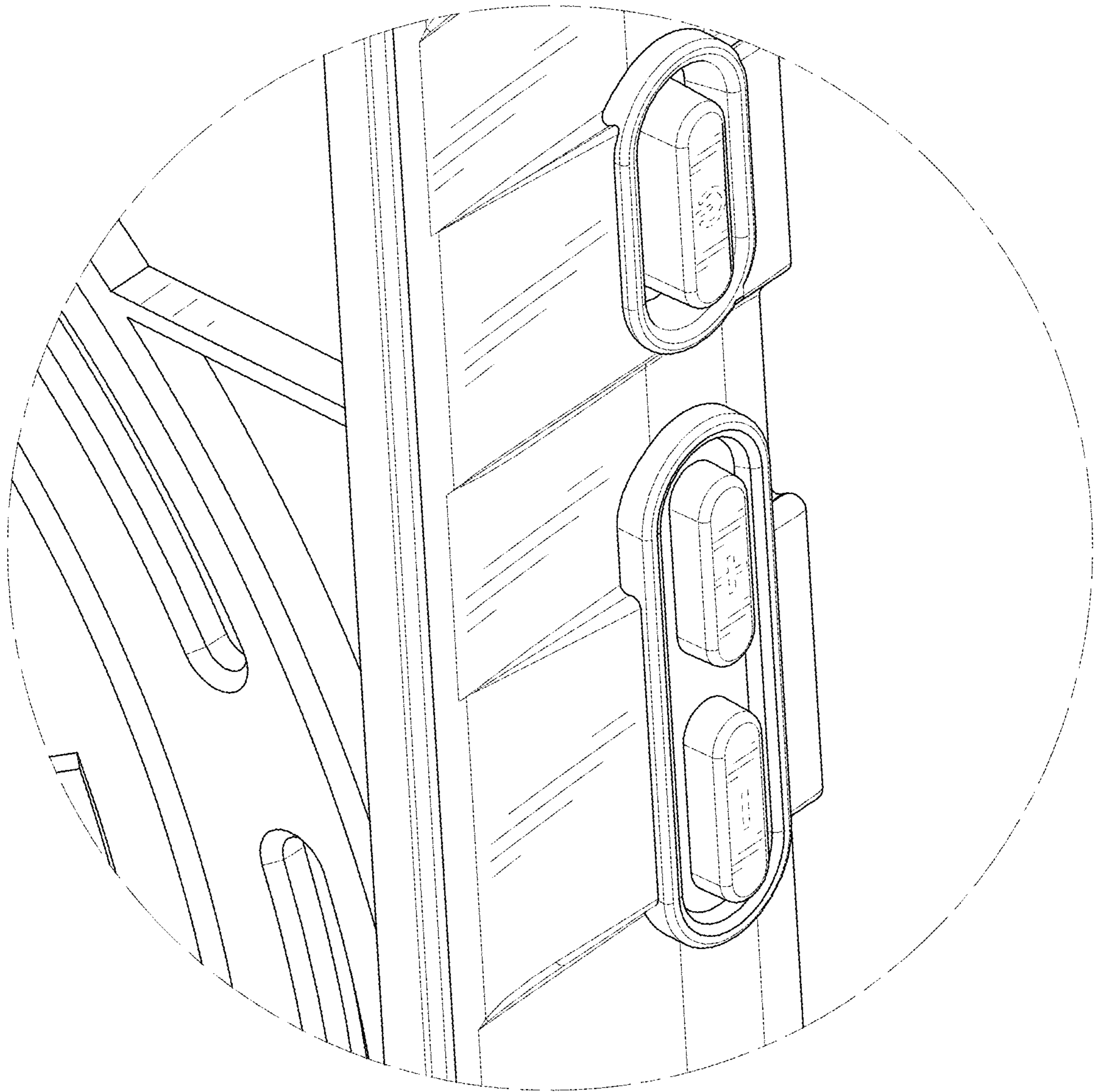


FIG. 9