



US00D967830S

(12) **United States Design Patent**
Cheng

(10) **Patent No.:** **US D967,830 S**

(45) **Date of Patent:** **** Oct. 25, 2022**

(54) **TABLET CASE**

(71) Applicant: **GUANGZHOU HUIYUE ELECTRONIC TECHNOLOGY CO., LTD.**, Guangzhou (CN)

(72) Inventor: **Ganhua Cheng**, Anqing (CN)

(73) Assignee: **GUANGZHOU HUIYUE ELECTRONIC TECHNOLOGY CO., LTD.**, Guangzhou (CN)

(**) Term: **15 Years**

(21) Appl. No.: **29/832,731**

(22) Filed: **Mar. 29, 2022**

(30) **Foreign Application Priority Data**

Jan. 13, 2022 (CN) 202230021388.9
Jan. 13, 2022 (CN) 202230021403.X

(51) **LOC (13) Cl.** **14-02**

(52) **U.S. Cl.**
USPC **D14/440**

(58) **Field of Classification Search**
USPC D14/440, 447, 250; 361/679.55;
206/45.23, 320, 45.2; 294/25;
455/575.8; D3/294
CPC ... G06F 1/1628; G06F 1/1626; A47B 23/044;
A45C 11/00
See application file for complete search history.

(56) **References Cited**

U.S. PATENT DOCUMENTS

D643,843 S * 8/2011 Hsieh D14/440
D660,305 S * 5/2012 Ho D14/447
D711,886 S * 8/2014 Kerawala D14/440
9,074,725 B2 * 7/2015 Trotsky F16M 11/105
D747,321 S * 1/2016 London D14/440
D835,088 S * 12/2018 Zhuang D14/440

D837,219 S * 1/2019 Gao D14/440
D851,648 S * 6/2019 Tan
D851,649 S * 6/2019 Tan D14/440
D858,507 S * 9/2019 Jang D14/251
D868,072 S * 11/2019 Lei
D883,987 S * 5/2020 Cheng D14/440
D897,348 S * 9/2020 Liao D14/440
D898,036 S * 10/2020 Cheng D14/440
D912,282 S * 3/2021 Kim D26/28
D920,982 S * 6/2021 Xu D14/440
D930,002 S * 9/2021 Zhou D14/440
D937,275 S * 11/2021 Cheng D14/440
D942,456 S * 2/2022 Liao D14/440
D944,256 S * 2/2022 Cheng D14/440
D946,579 S * 3/2022 Tan D14/440
D949,153 S * 4/2022 Chen D14/440
D951,959 S * 5/2022 Qu D14/440

(Continued)

Primary Examiner — Cynthia R Underwood

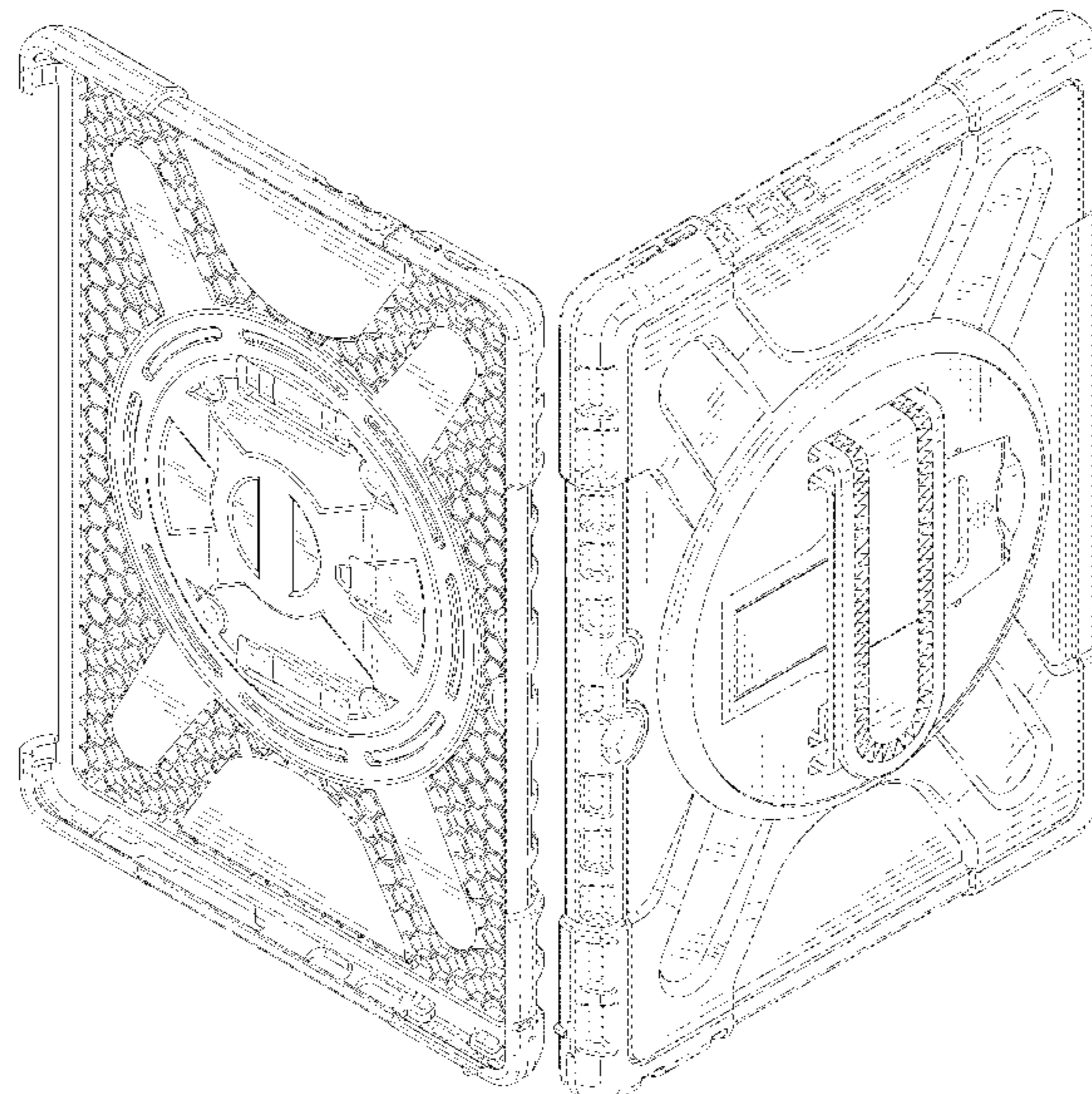
(57) **CLAIM**

The ornamental design for a tablet case, as shown and described.

DESCRIPTION

FIG. 1 is a perspective view of a tablet case showing my new design;
FIG. 2 is another perspective view thereof;
FIG. 3 is a front elevational view thereof;
FIG. 4 is a rear elevational view thereof;
FIG. 5 is a left side elevational view thereof;
FIG. 6 is a right side elevational view thereof;
FIG. 7 is a top plan view thereof;
FIG. 8 is a bottom plan view thereof;
FIG. 9 is a perspective view of the tablet case where the tablet case is in a configuration of use;
FIG. 10 is a rear elevational view thereof; and,
FIG. 11 is another perspective view thereof.
The broken lines in the drawings depict portions of the tablet case that form no part of the claimed design.

1 Claim, 11 Drawing Sheets



(56)

References Cited

U.S. PATENT DOCUMENTS

2010/0123062 A1* 5/2010 Jones F16M 11/16
248/220.21
2012/0104185 A1* 5/2012 Carroll F16M 11/041
248/145.6
2015/0009610 A1* 1/2015 London G06F 1/163
16/408
2017/0196327 A1* 7/2017 Ma H01R 24/62

* cited by examiner

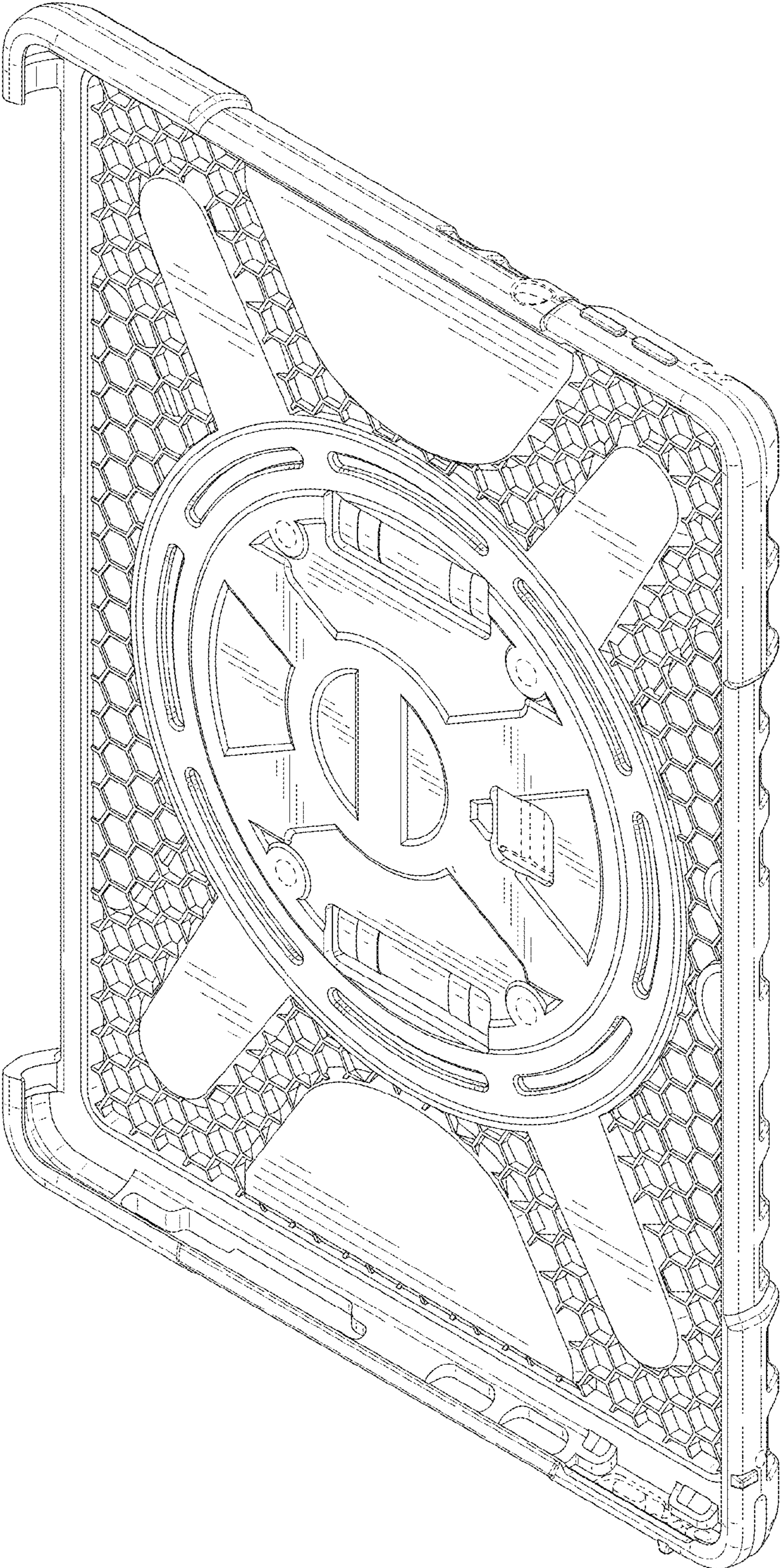


FIG. 1

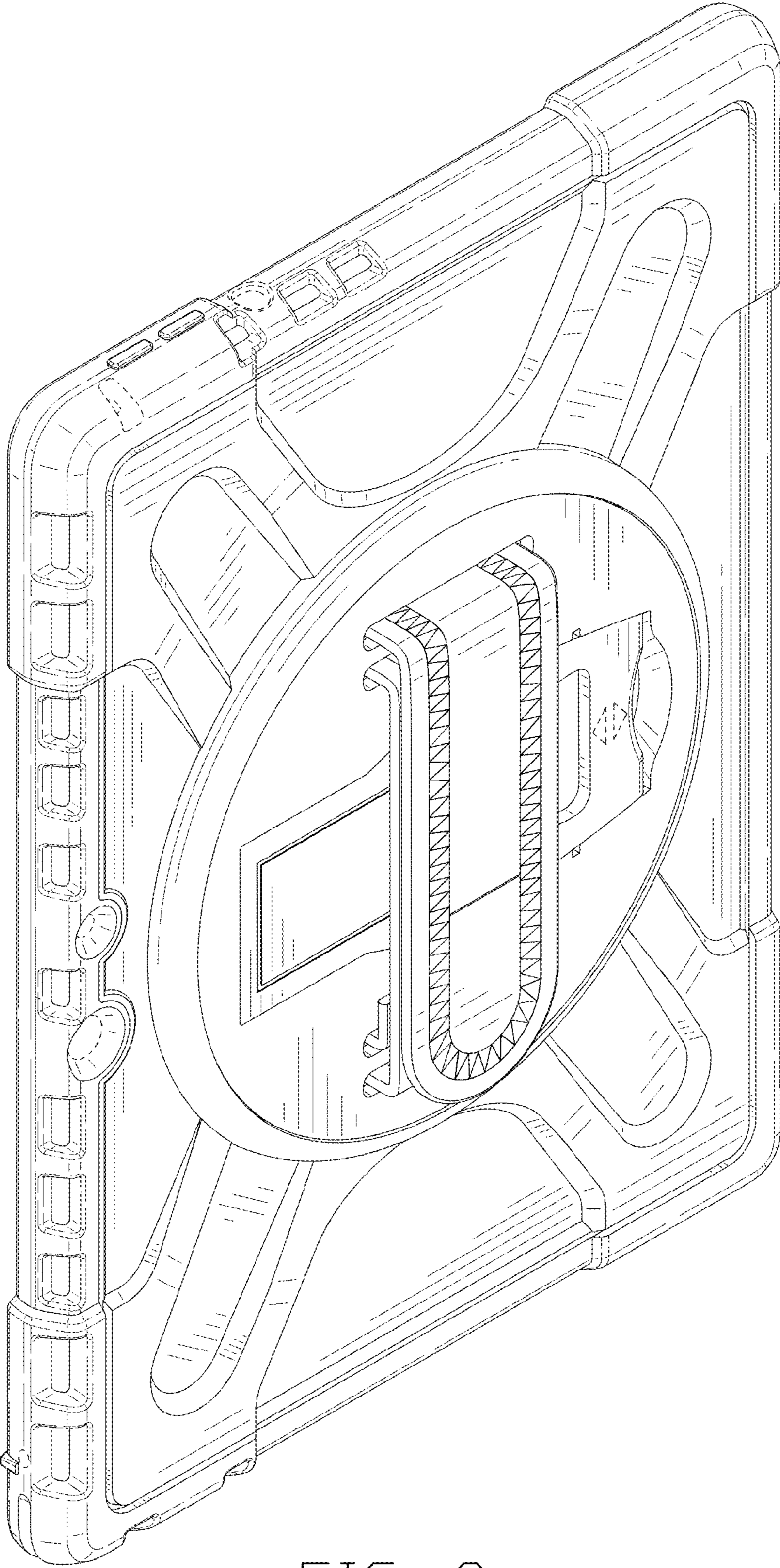


FIG. 2

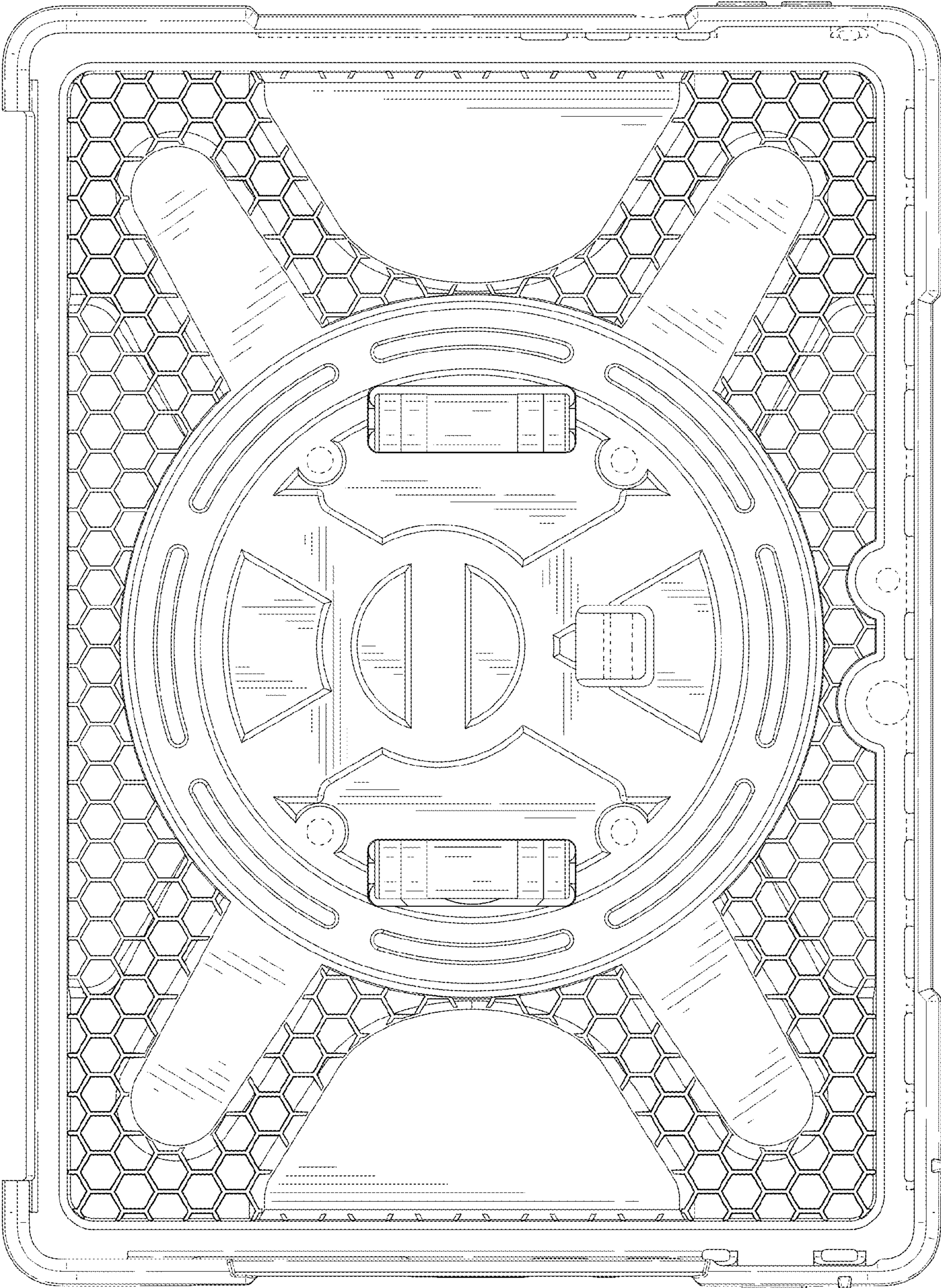


FIG. 3

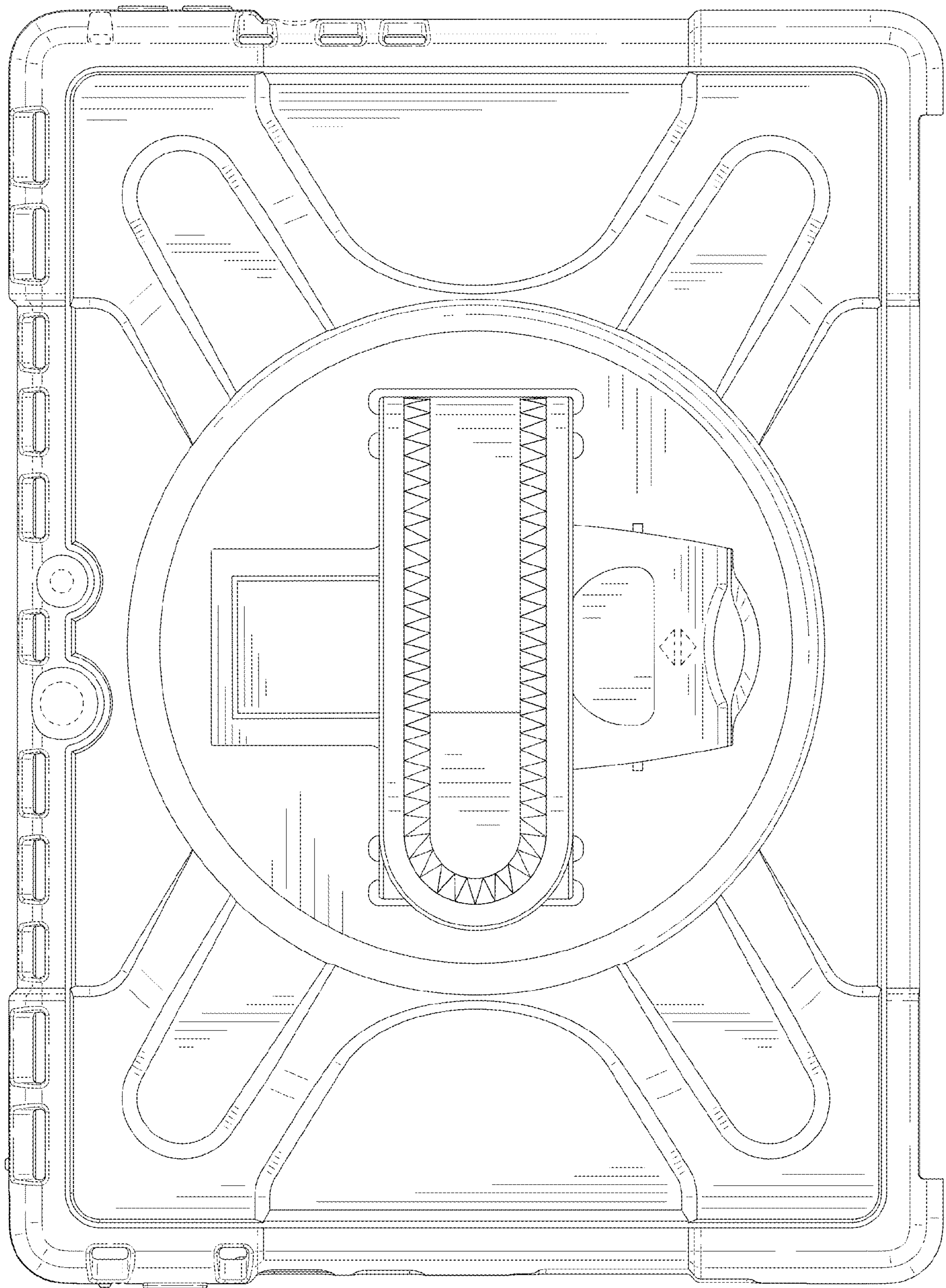


FIG. 4

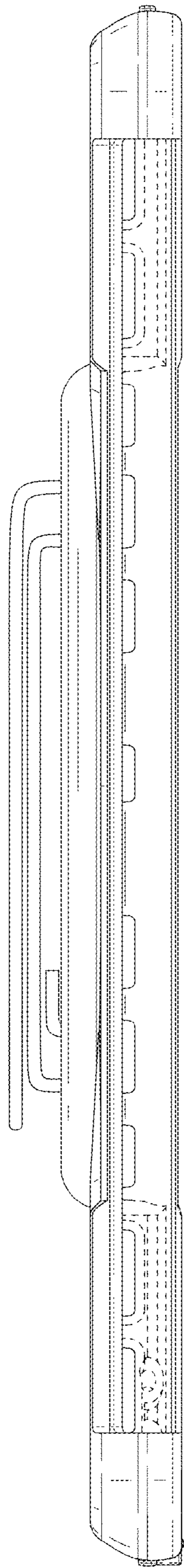


FIG. 5

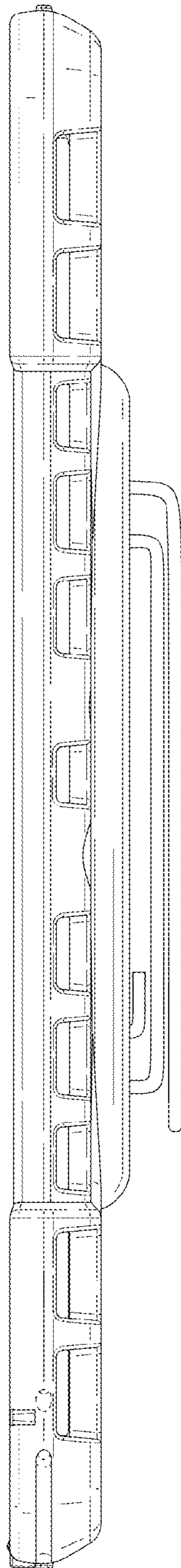


FIG. 6

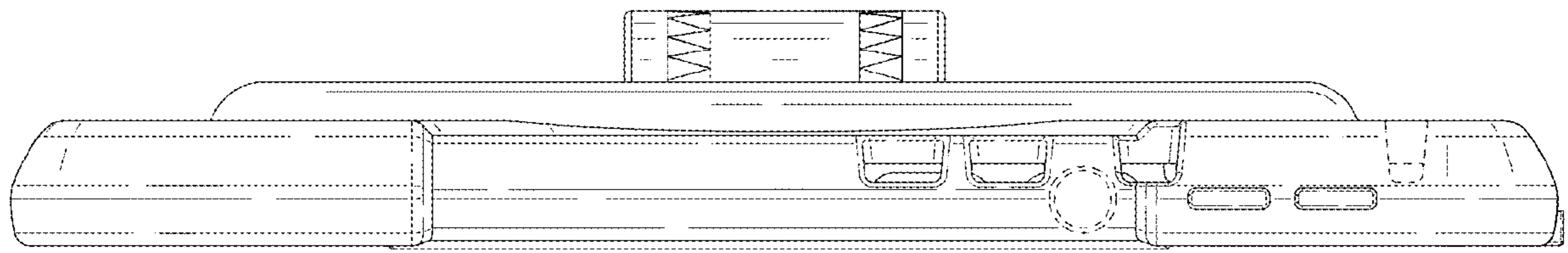


FIG. 7

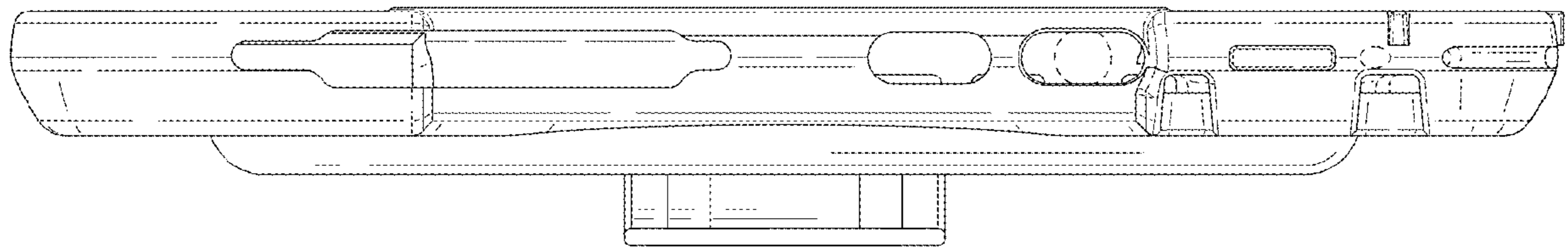


FIG. 8

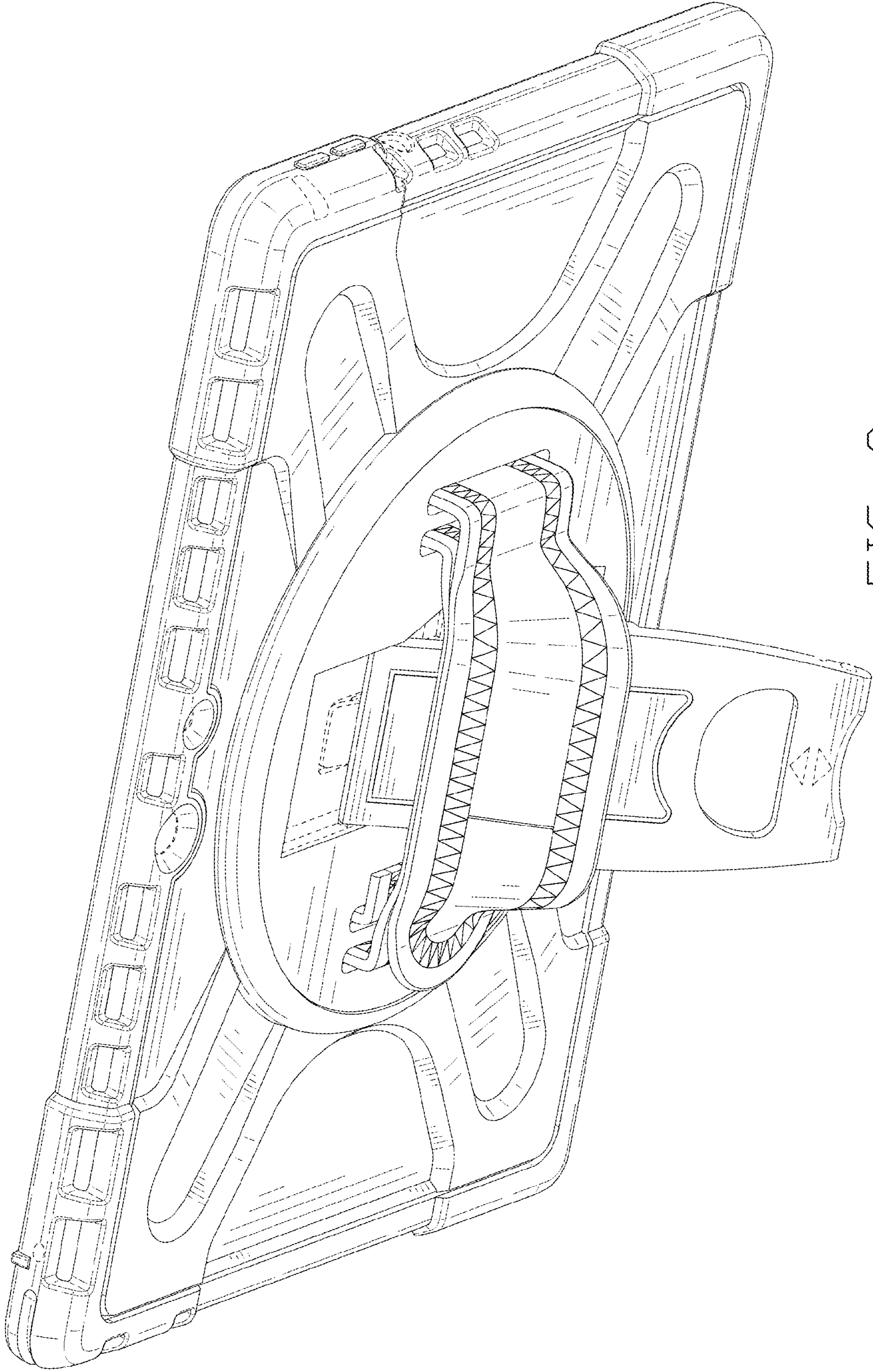


FIG. 9

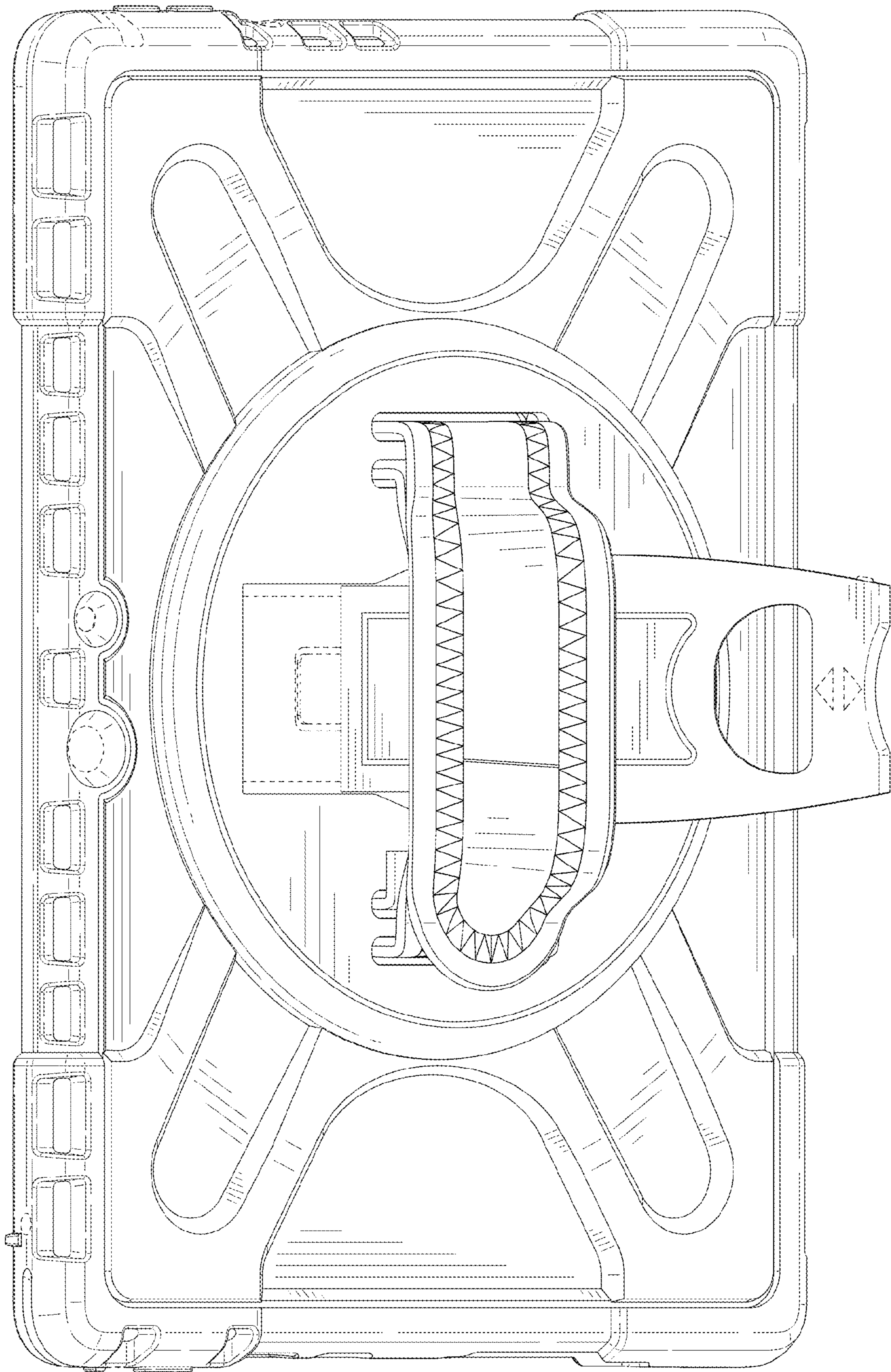


FIG. 10

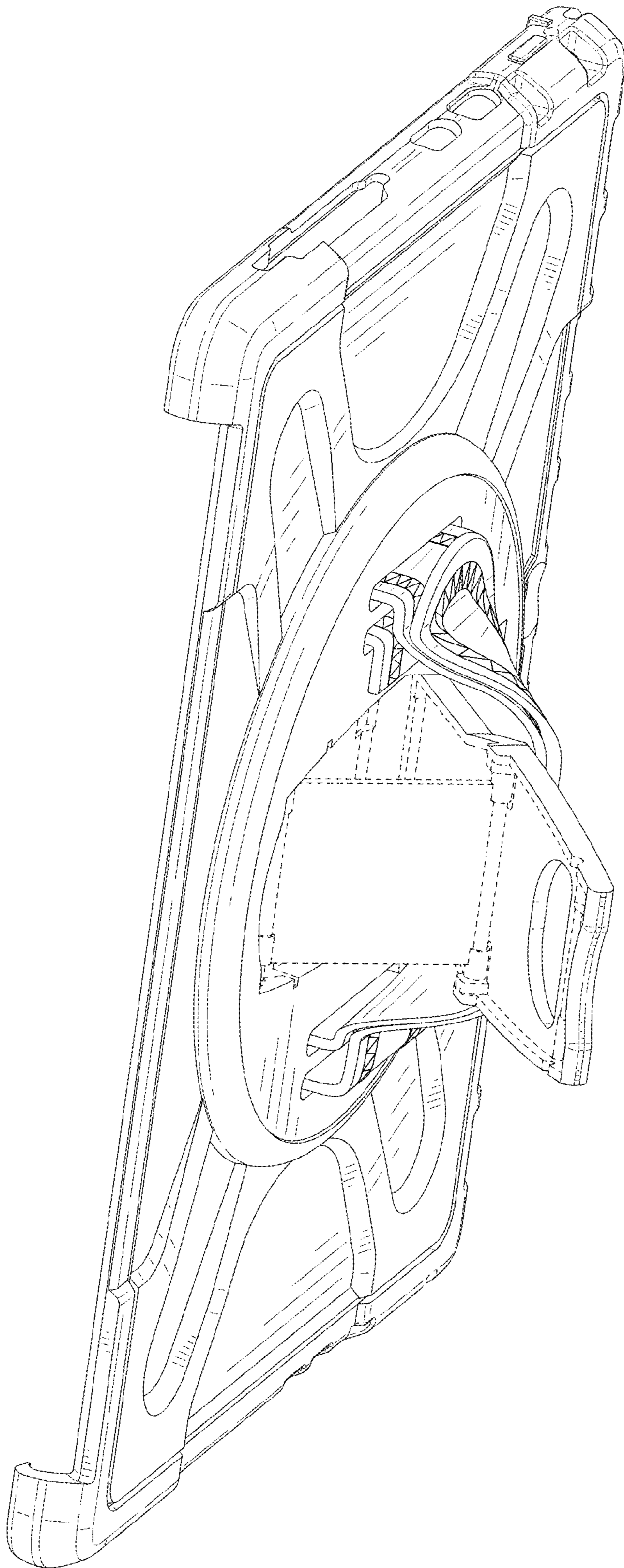


FIG. 11