

US00D967829S

(12) **United States Design Patent**
Lin

(10) **Patent No.:** **US D967,829 S**
(45) **Date of Patent:** **** Oct. 25, 2022**

(54) **TABLET CASE**
(71) Applicant: **Guangzhou Roiskin Technology Company, Guangdong (CN)**
(72) Inventor: **Yuying Lin, Guangdong (CN)**
(73) Assignee: **Guangzhou Roiskin Technology Company, Guangzhou (CN)**
(**) Term: **15 Years**
(21) Appl. No.: **29/818,087**
(22) Filed: **Dec. 7, 2021**
(30) **Foreign Application Priority Data**

Nov. 18, 2021 (CN) 202130758658.X
Nov. 18, 2021 (CN) 202130759162.4

(51) **LOC (13) Cl.** **14-02**

(52) **U.S. Cl.**
USPC **D14/440; D14/251**

(58) **Field of Classification Search**
USPC D14/440, 447, 250, 432, 439;
361/679.55; 206/45.23, 320, 45.2;
294/25; 455/575.8; D3/294
CPC ... G06F 1/1628; G06F 1/1626; A47B 23/044;
A45C 11/00
See application file for complete search history.

(56) **References Cited**

U.S. PATENT DOCUMENTS

D660,305 S * 5/2012 Ho D14/447
D711,886 S 8/2014 Kerawala et al.
9,074,725 B2 * 7/2015 Trotsky F16M 11/105
D737,264 S * 8/2015 Shamsadov D14/251
9,179,565 B2 * 11/2015 Cho F16M 13/04
D747,321 S * 1/2016 London D14/440
D749,083 S * 2/2016 Senoff D14/451

D749,559 S * 2/2016 Senoff D14/251
D753,912 S * 4/2016 Spero A45F 5/021
D3/218
9,397,717 B2 * 7/2016 Curran H04M 1/0281
9,421,920 B2 * 8/2016 Jang B60R 11/0252
D765,662 S * 9/2016 Kang D14/251
D768,635 S * 10/2016 Due D14/432
D775,619 S * 1/2017 Tien D14/250
D809,449 S * 2/2018 Zhang D12/415
D824,911 S * 8/2018 London D14/440
D829,722 S * 10/2018 Kim D14/447
10,117,505 B1 * 11/2018 Alvarez A45F 5/00
D837,219 S * 1/2019 Gao D14/440
D844,598 S * 4/2019 Jang D14/251
10,278,299 B2 * 4/2019 Kim F16M 13/04
D855,048 S * 7/2019 Kim D14/253
D858,507 S * 9/2019 Jang D14/251
D861,333 S * 10/2019 Feng D3/218
D861,334 S * 10/2019 Feng D3/218

(Continued)

Primary Examiner — Cynthia R Underwood

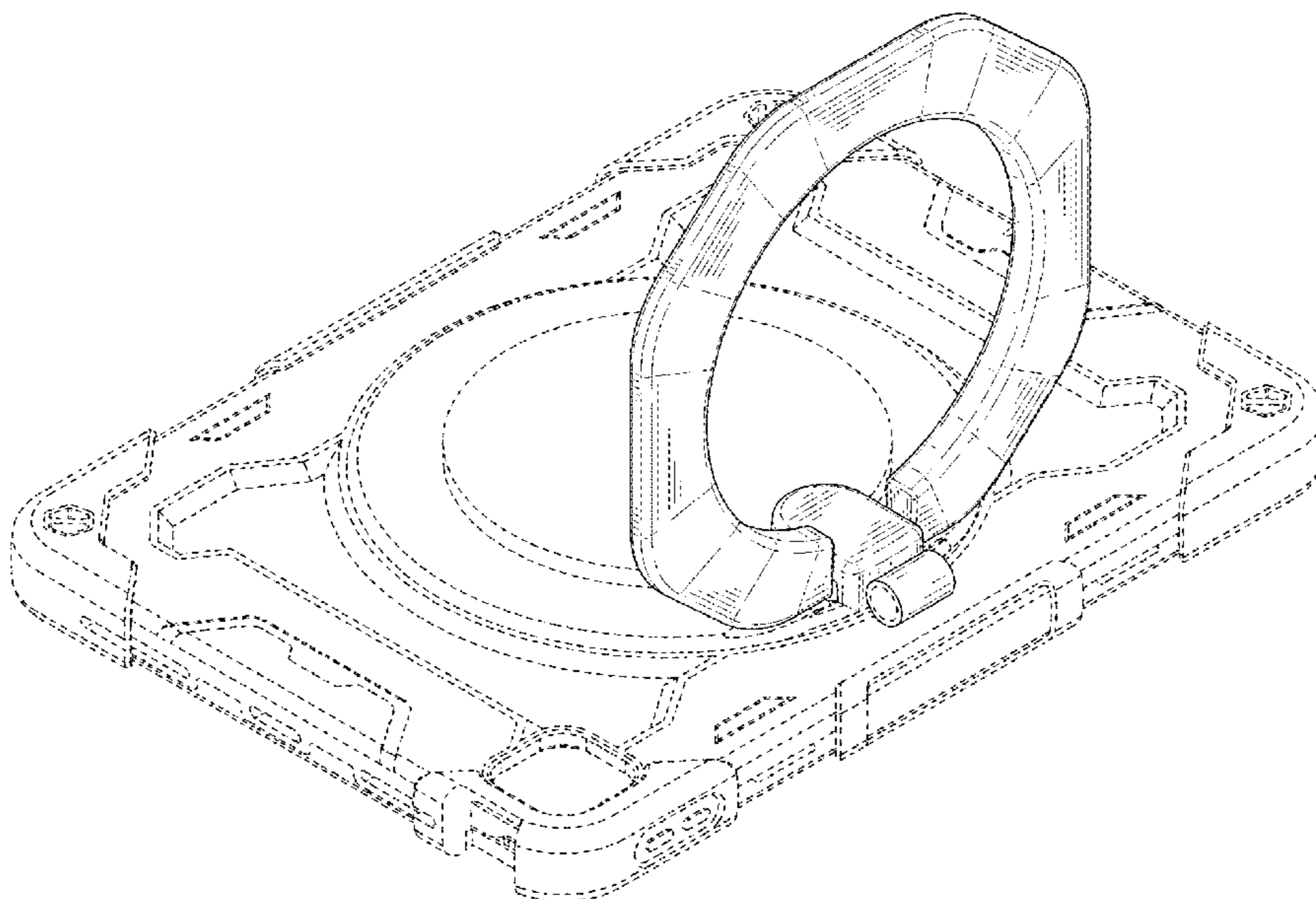
(57) **CLAIM**

The ornamental design for a tablet case, as shown and described.

DESCRIPTION

FIG. 1 is a top, front and left side perspective view of a tablet case showing my new design;
FIG. 2 is a bottom, rear and right side perspective view thereof;
FIG. 3 is a top, rear and right side perspective view thereof;
FIG. 4 is a front elevational view thereof;
FIG. 5 is a rear elevational view thereof;
FIG. 6 is a left side view thereof;
FIG. 7 is a right side view thereof;
FIG. 8 is a top plan view thereof; and,
FIG. 9 is a bottom plan view thereof.
The broken lines in the drawings illustrate portions of the tablet case which form no part of the claimed design.

1 Claim, 9 Drawing Sheets



(56)

References Cited

U.S. PATENT DOCUMENTS

D874,454	S *	2/2020	Lederer	D14/251
D883,987	S *	5/2020	Cheng	D14/440
D892,804	S	8/2020	Lin		
D897,348	S *	9/2020	Liao	D14/440
D898,036	S *	10/2020	Cheng	D14/440
D906,337	S *	12/2020	Cheng	D14/440
D912,282	S *	3/2021	Kim	D26/28
D917,491	S *	4/2021	Cheng	D14/440
D937,275	S *	11/2021	Cheng	D14/440
D944,256	S *	2/2022	Cheng	D14/440
2001/0040202	A1 *	11/2001	Adams, IV	F16B 47/00 248/206.2
2010/0123062	A1 *	5/2010	Jones	F16M 13/02 248/222.14
2012/0104185	A1 *	5/2012	Carroll	F16M 11/041 248/27.1
2013/0146625	A1 *	6/2013	Karie	A44C 9/0061 224/217
2015/0009610	A1 *	1/2015	London	G06F 1/163 361/679.03
2015/0257288	A1 *	9/2015	Livernois	H04M 1/04 248/346.06
2016/0134733	A1 *	5/2016	Murphy	A45F 5/00 455/575.6
2017/0055660	A1 *	3/2017	Tien	A45C 11/00
2017/0135234	A1 *	5/2017	Kim	F16M 13/04
2017/0196327	A1 *	7/2017	Ma	H04B 1/3888
2017/0293207	A1 *	10/2017	Jeon	F16M 11/32

* cited by examiner

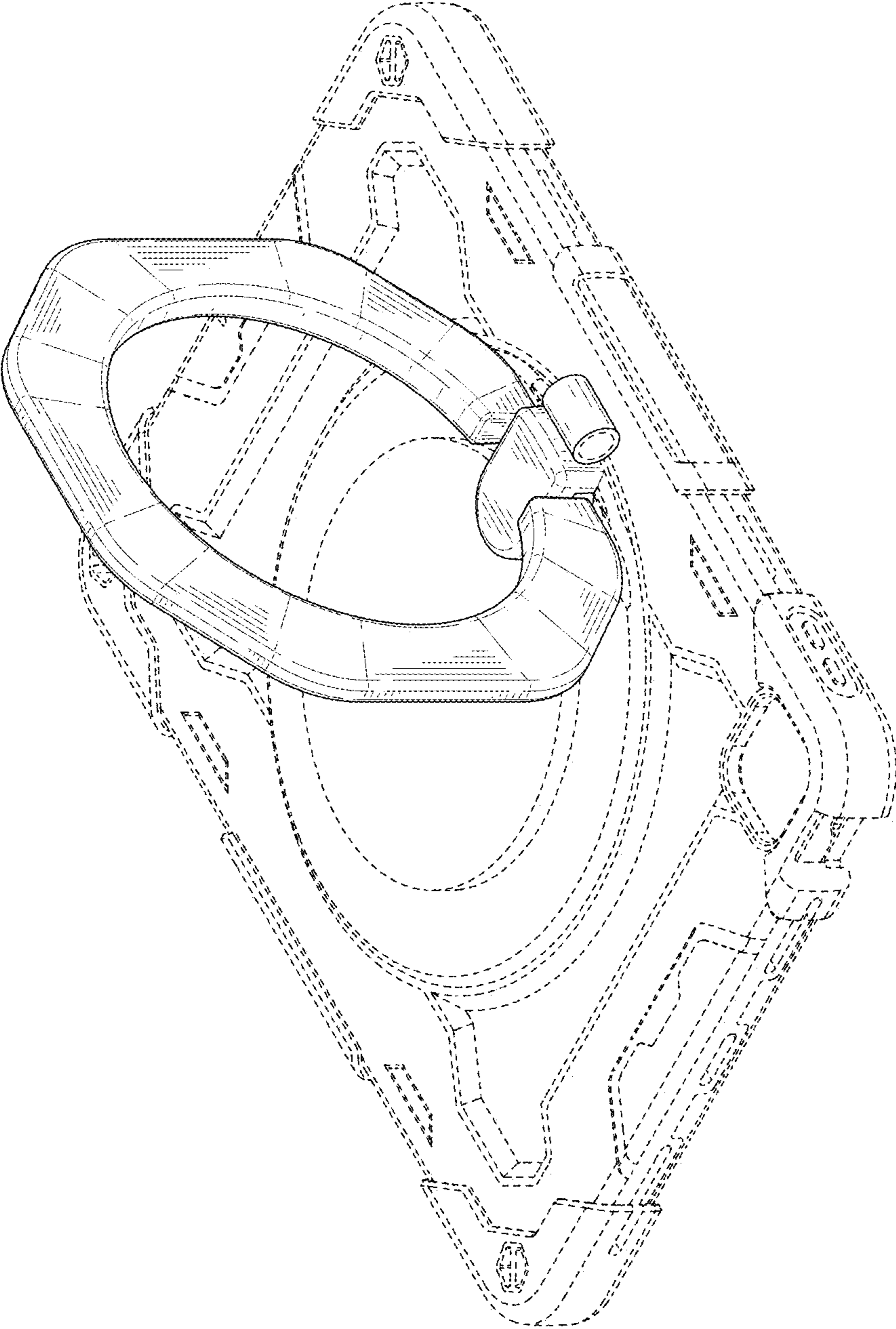


FIG. 1

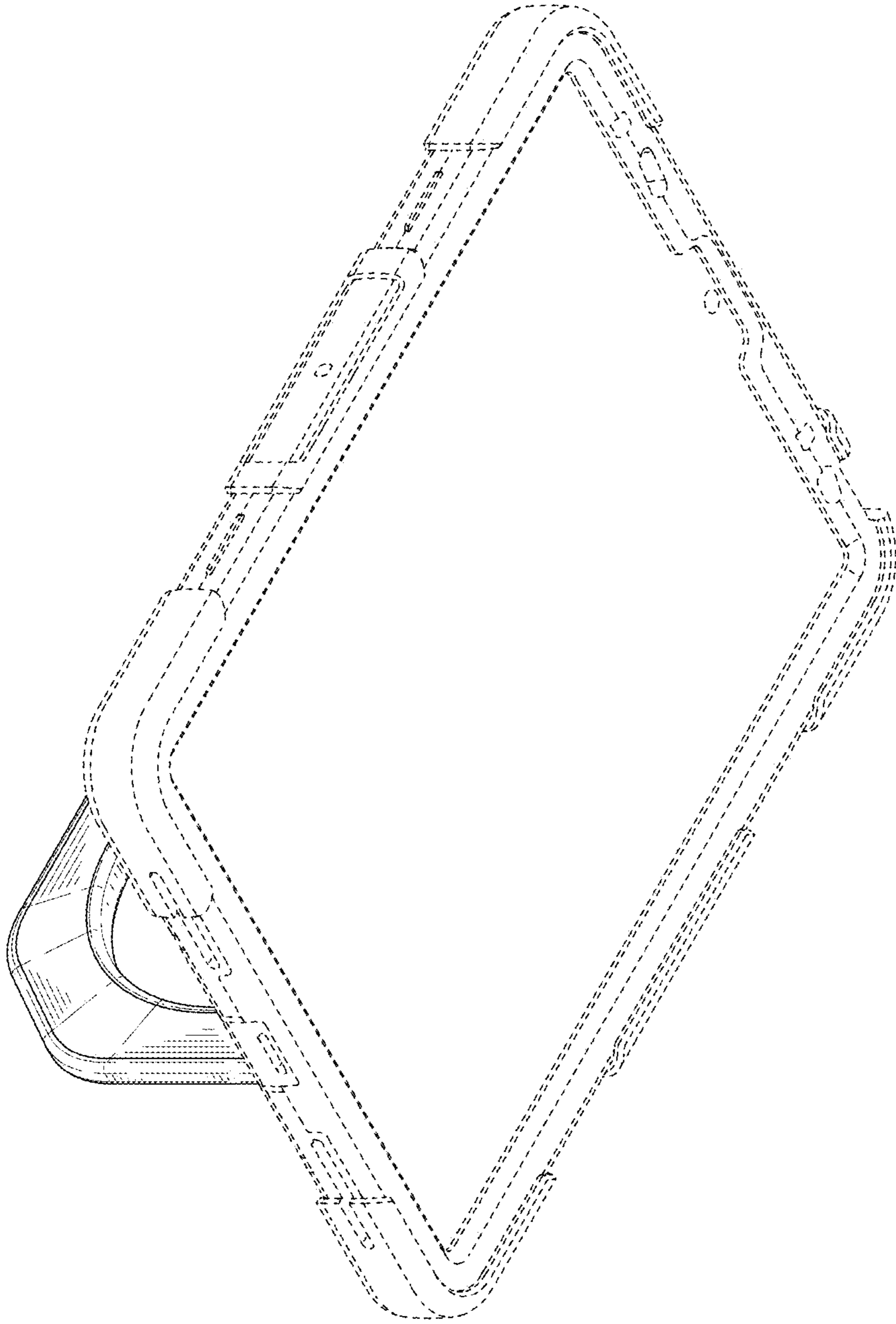


FIG. 2

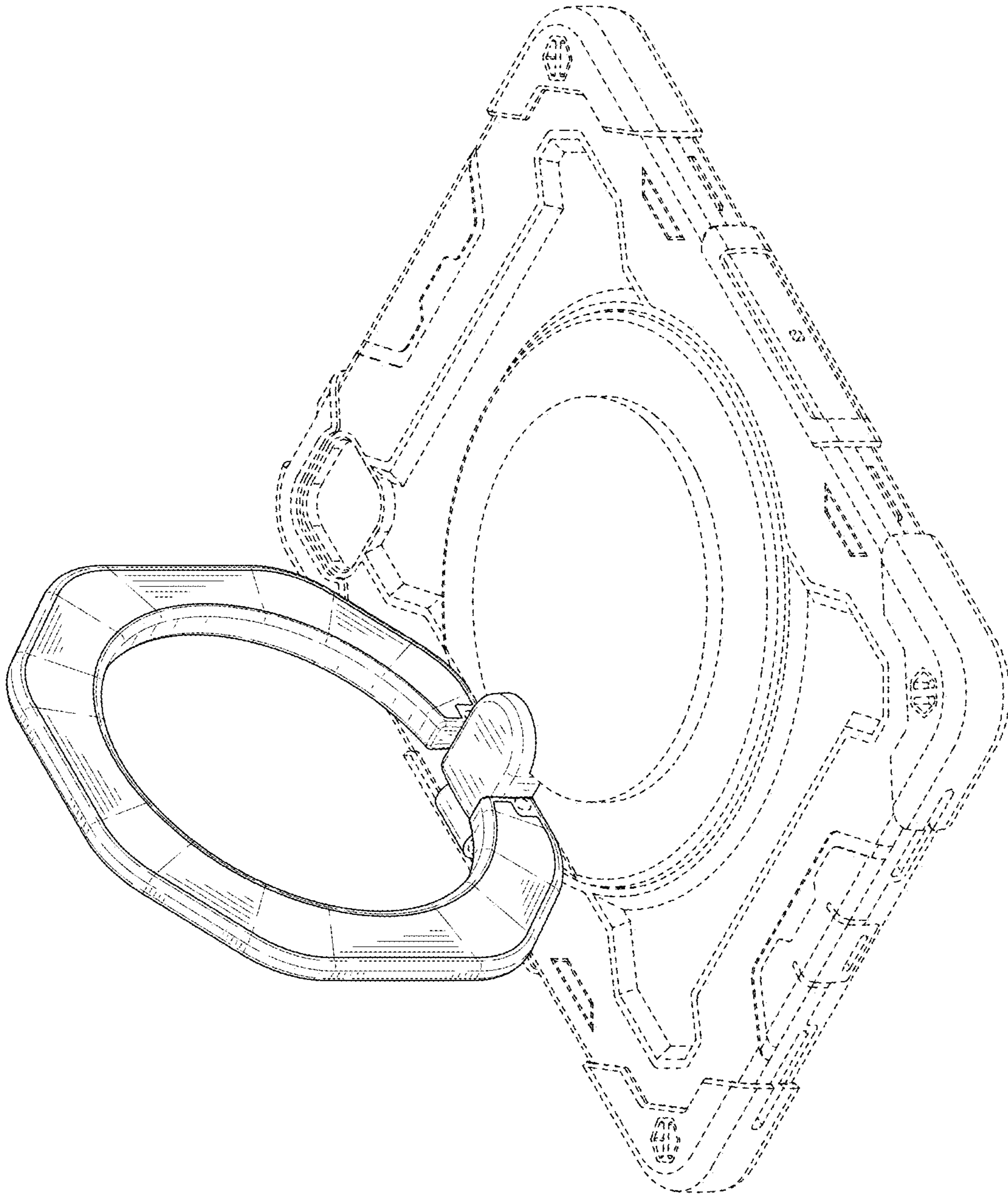


FIG. 3

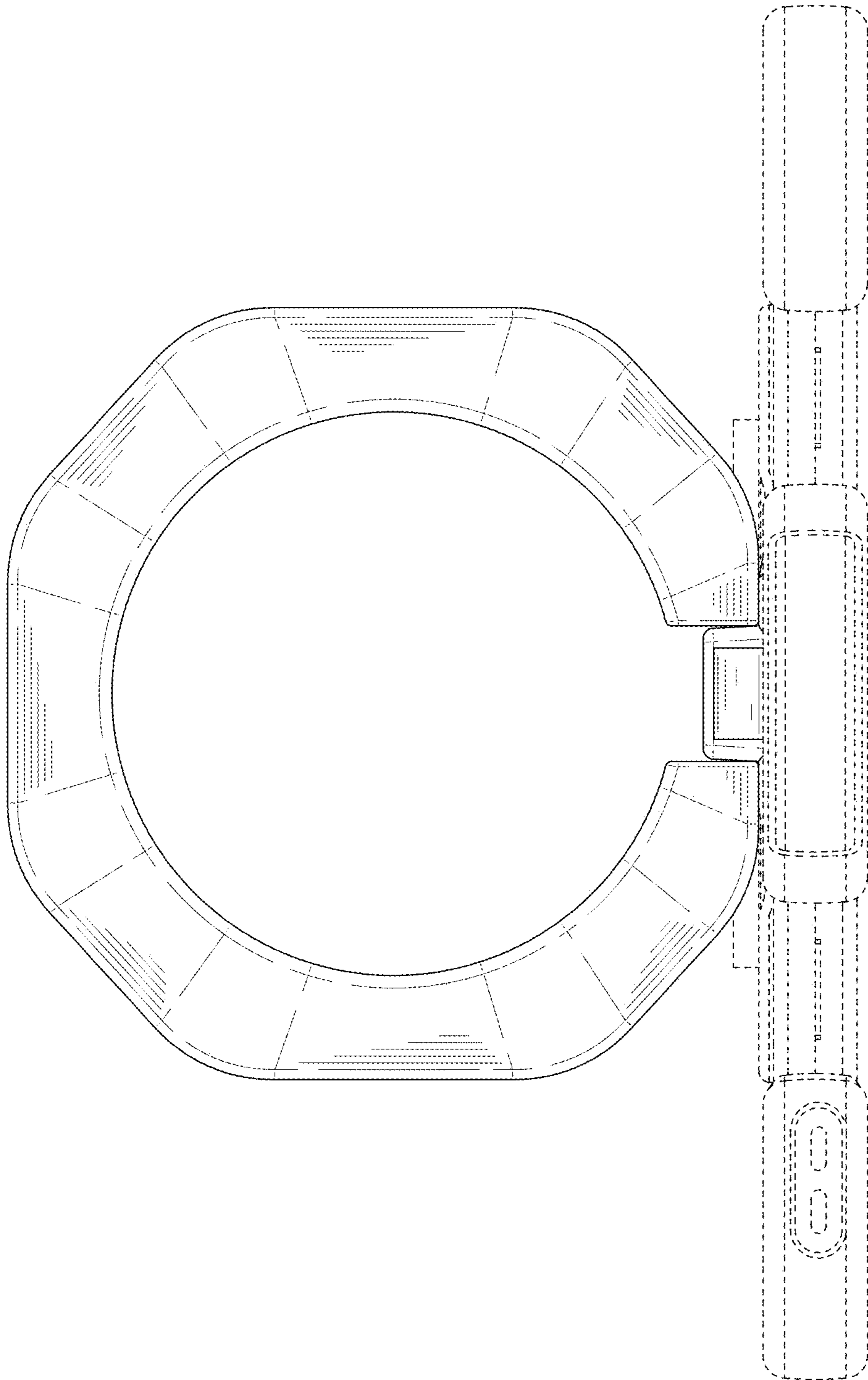


FIG. 4

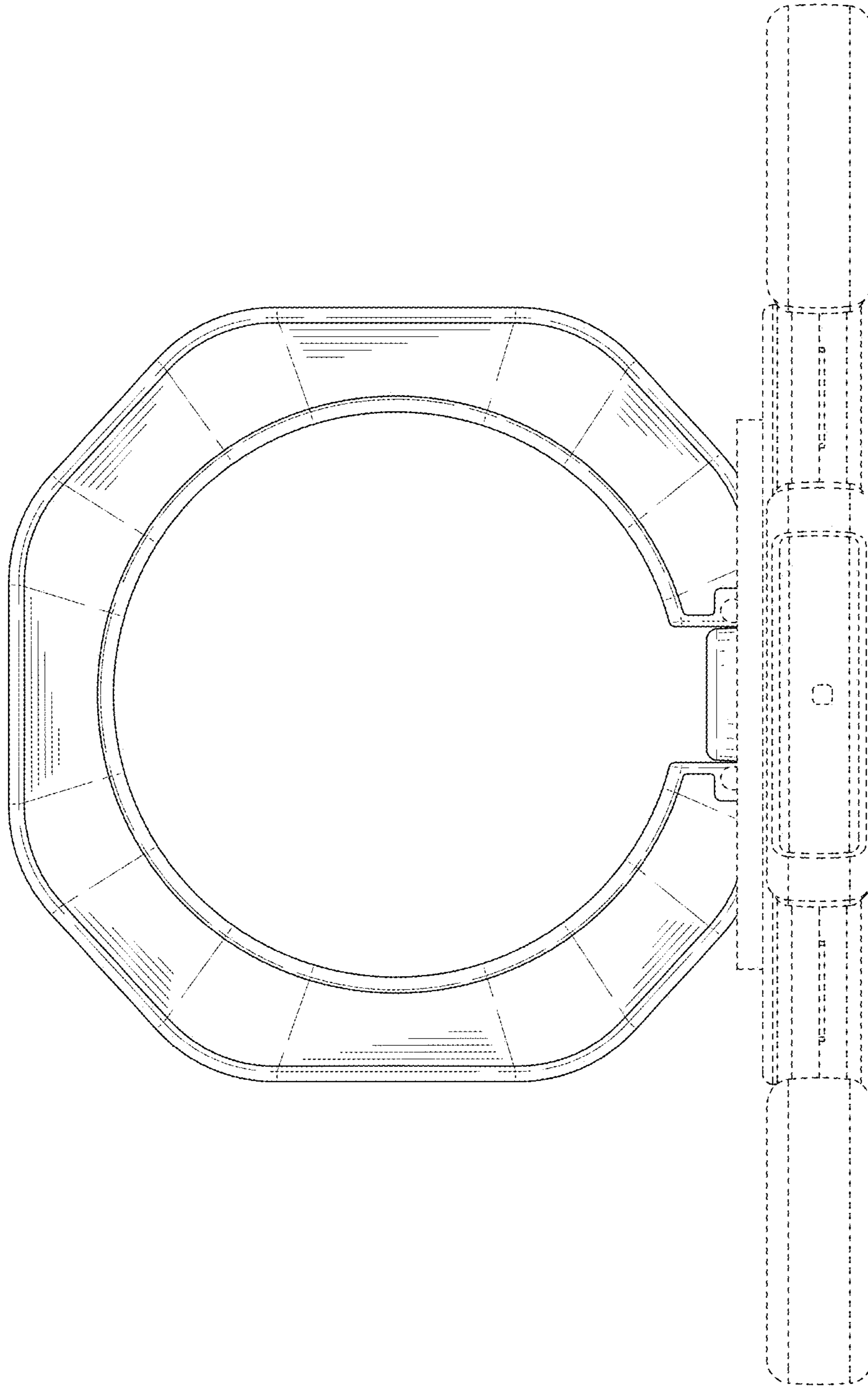


FIG. 5

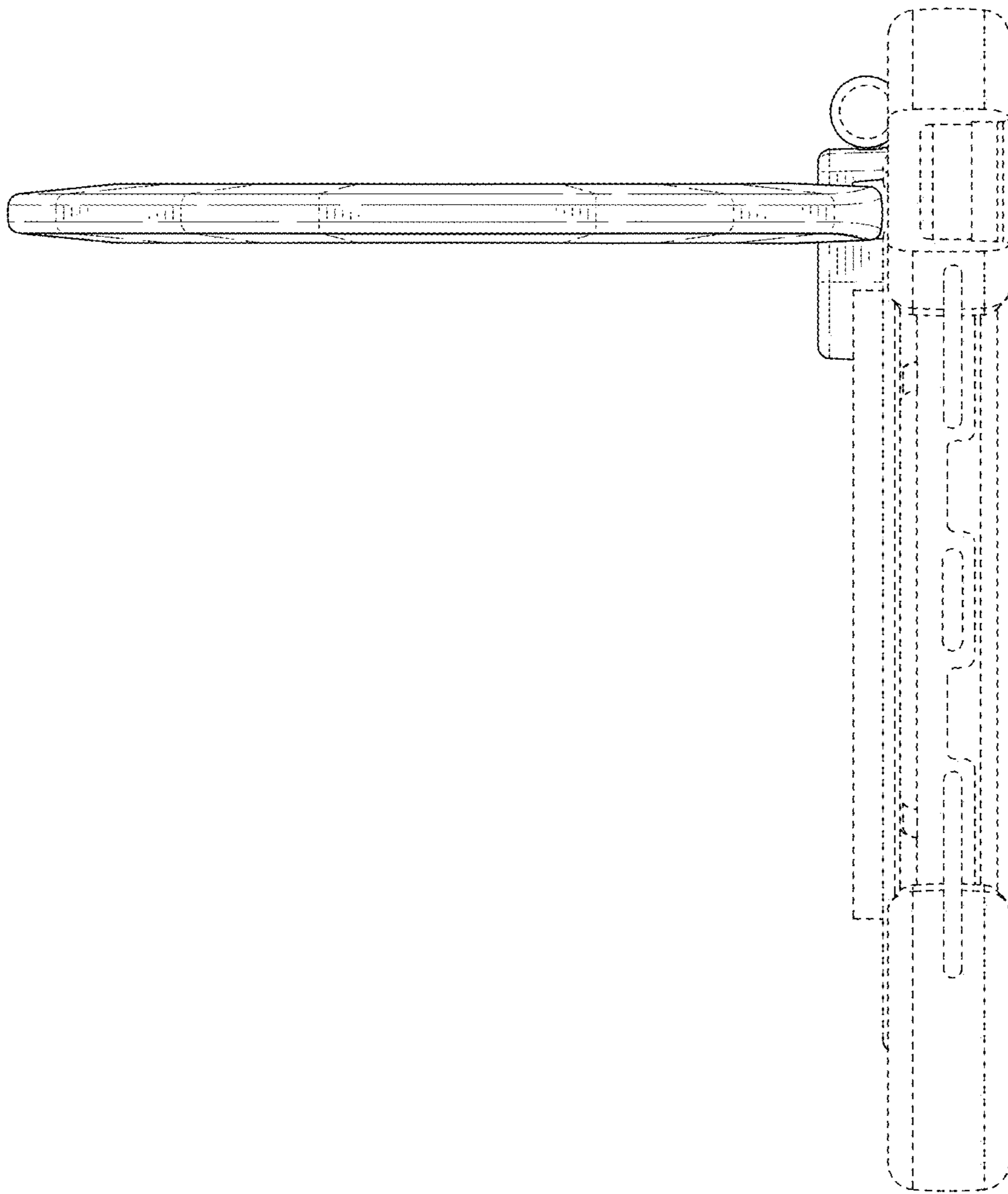


FIG. 6

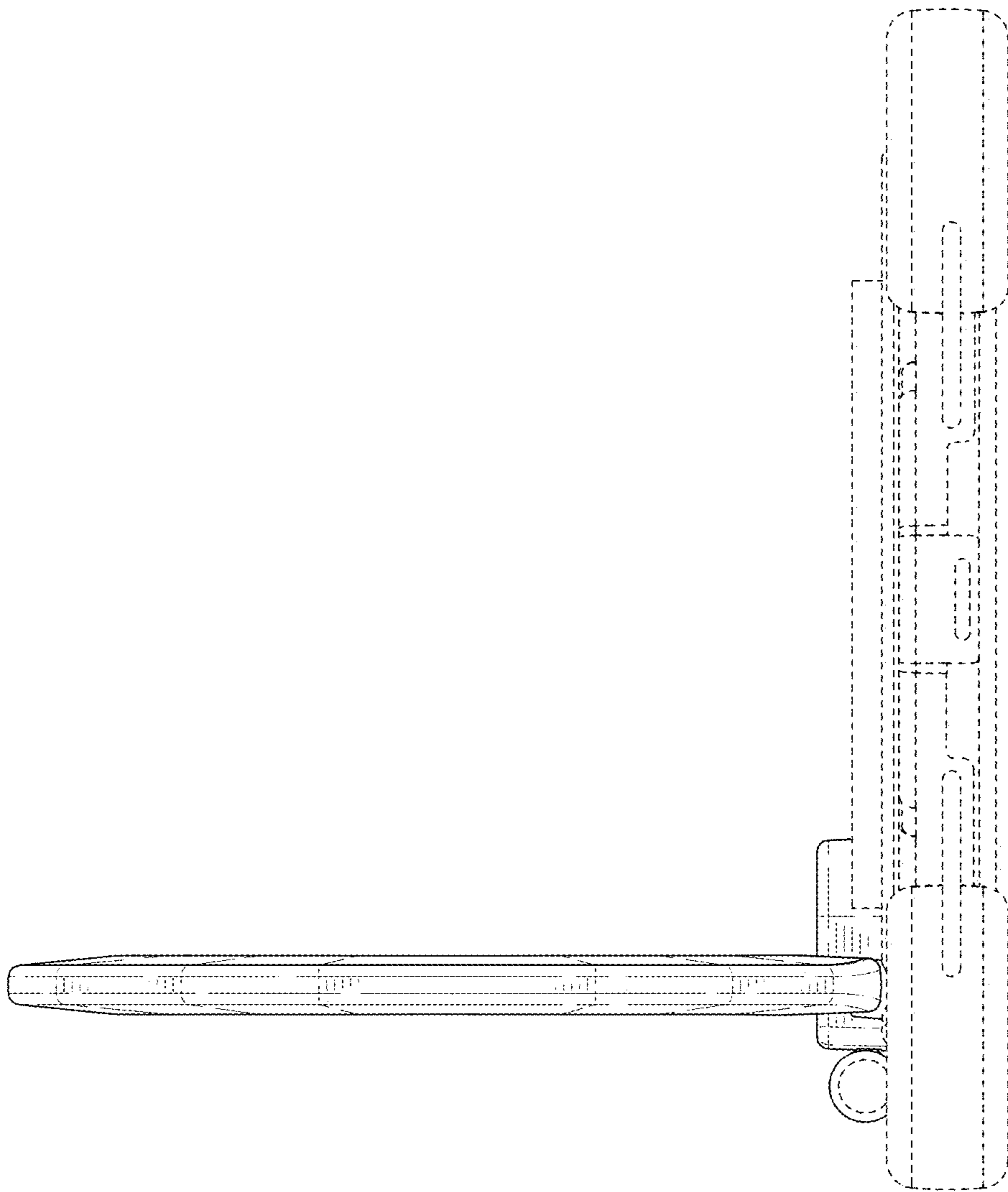


FIG. 7

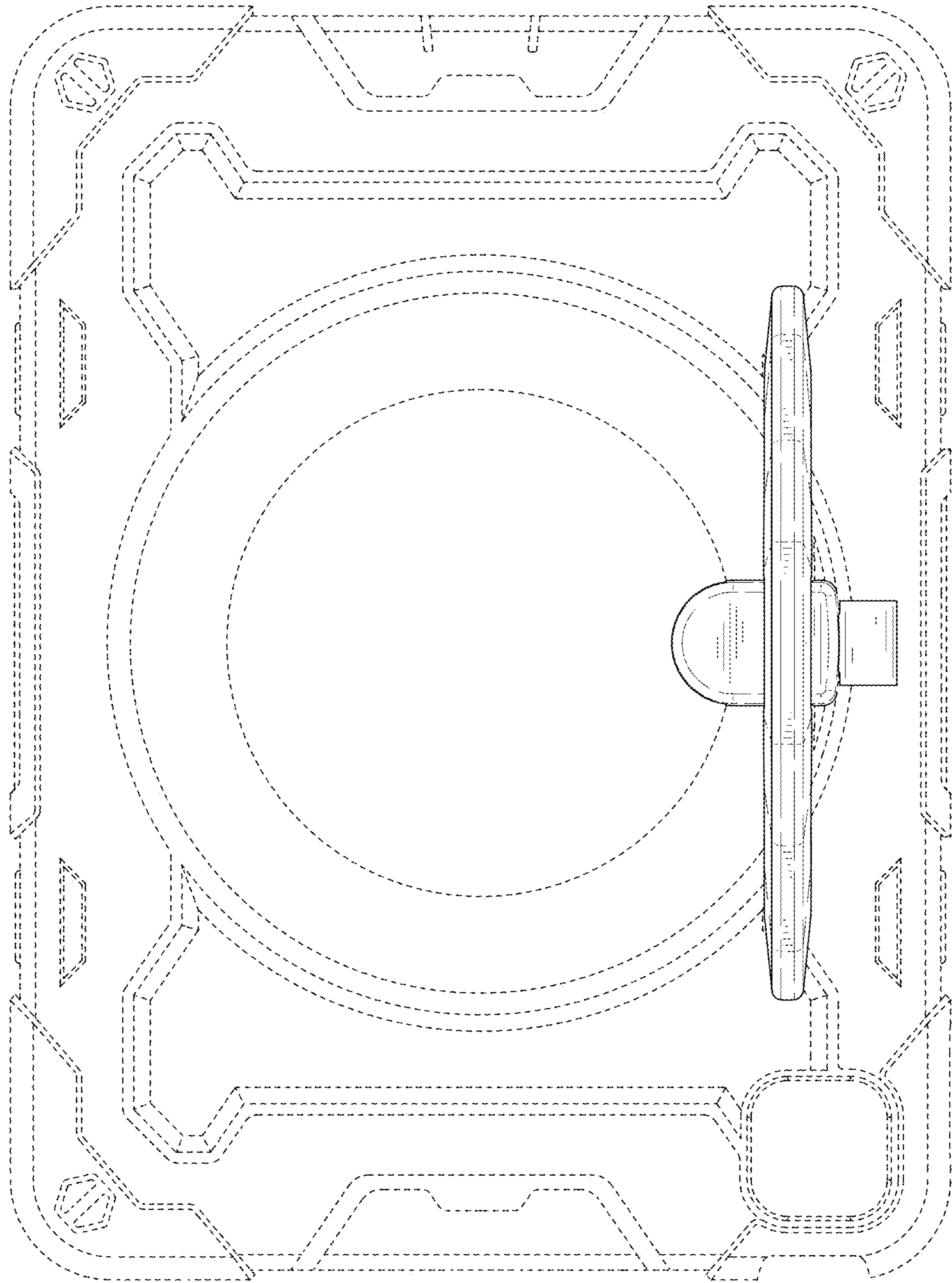


FIG. 8

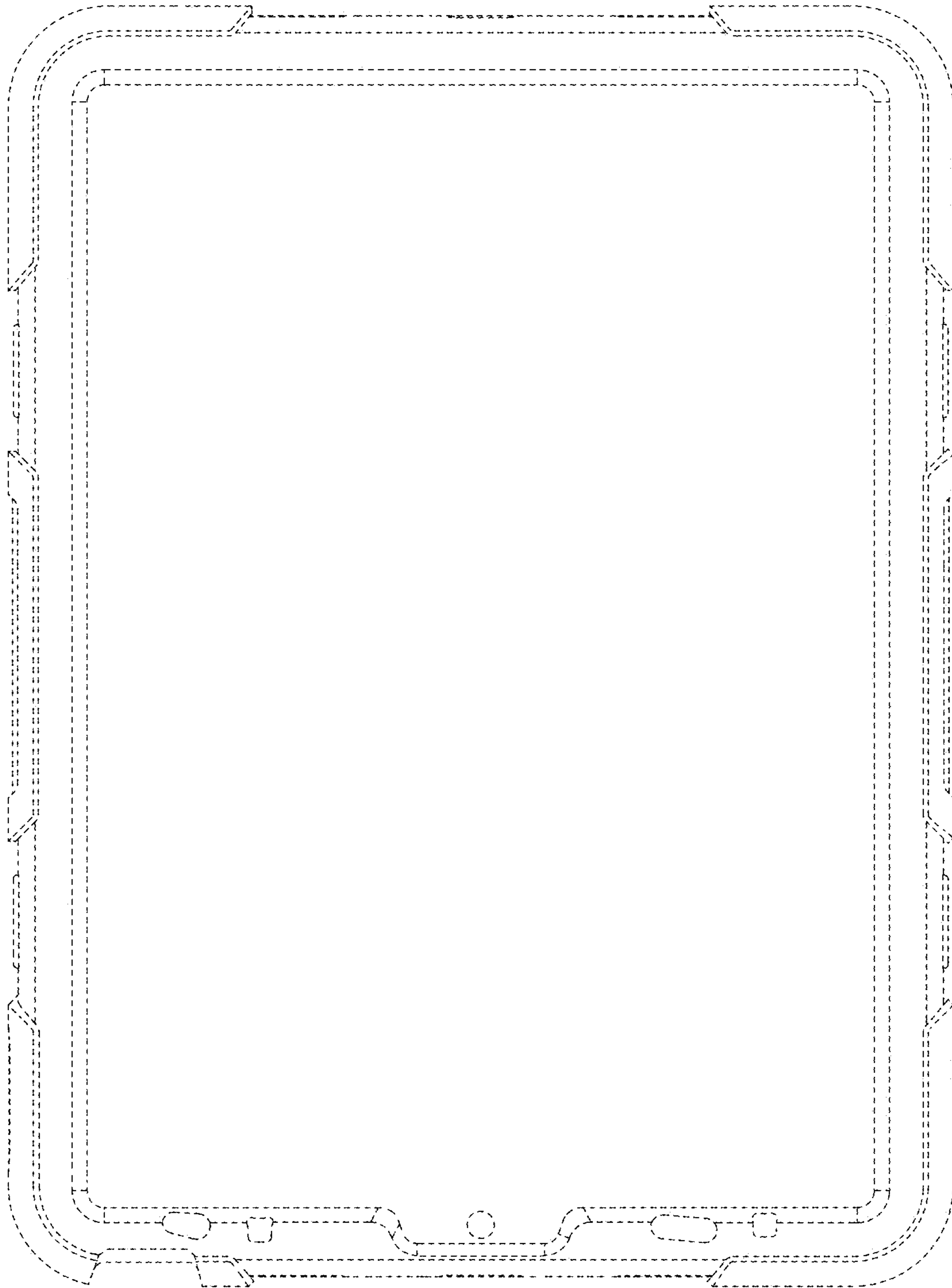


FIG. 9