



US00D967828S

(12) **United States Design Patent**  
**Cheng**

(10) **Patent No.:** **US D967,828 S**

(45) **Date of Patent:** **\*\* Oct. 25, 2022**

- (54) **TABLET COMPUTER CASE**
- (71) Applicant: **Shaogang Cheng**, Anhui (CN)
- (72) Inventor: **Shaogang Cheng**, Anhui (CN)
- (\*\*) Term: **15 Years**
- (21) Appl. No.: **29/766,137**
- (22) Filed: **Jan. 13, 2021**

D794,626 S *	8/2017	Armstrong .....	D14/250
D806,082 S *	12/2017	Armstrong .....	D14/440
D832,269 S *	10/2018	Cheng .....	D14/440
D851,648 S *	6/2019	Tan .....	D14/440
D861,665 S *	10/2019	Li .....	D14/250
D868,789 S *	12/2019	Weng .....	D14/440
D879,790 S *	3/2020	Donachy .....	D14/444
D906,334 S *	12/2020	Du .....	D14/440
D920,336 S *	5/2021	Cheng .....	D14/440
D923,012 S *	6/2021	Li .....	D14/440
D930,002 S *	9/2021	Zhou .....	D14/440

\* cited by examiner

(30) **Foreign Application Priority Data**

Jul. 27, 2020 (CN) ..... 202030414199.9

(51) **LOC (13) Cl.** ..... **14-02**

(52) **U.S. Cl.**  
USPC ..... **D14/440**

(58) **Field of Classification Search**  
USPC ..... D14/440, 250, 447; 206/45.2, 45.23,  
206/320; 361/679.55; 294/25; 224/218  
CPC ... G06F 1/1628; G06F 1/1626; A47B 23/044;  
H04B 1/3888  
See application file for complete search history.

(56) **References Cited**

**U.S. PATENT DOCUMENTS**

D649,144 S *	11/2011	Fathollahi .....	D14/250
D742,869 S *	11/2015	Odhwani .....	D14/250

*Primary Examiner* — Katie Jane Stofko

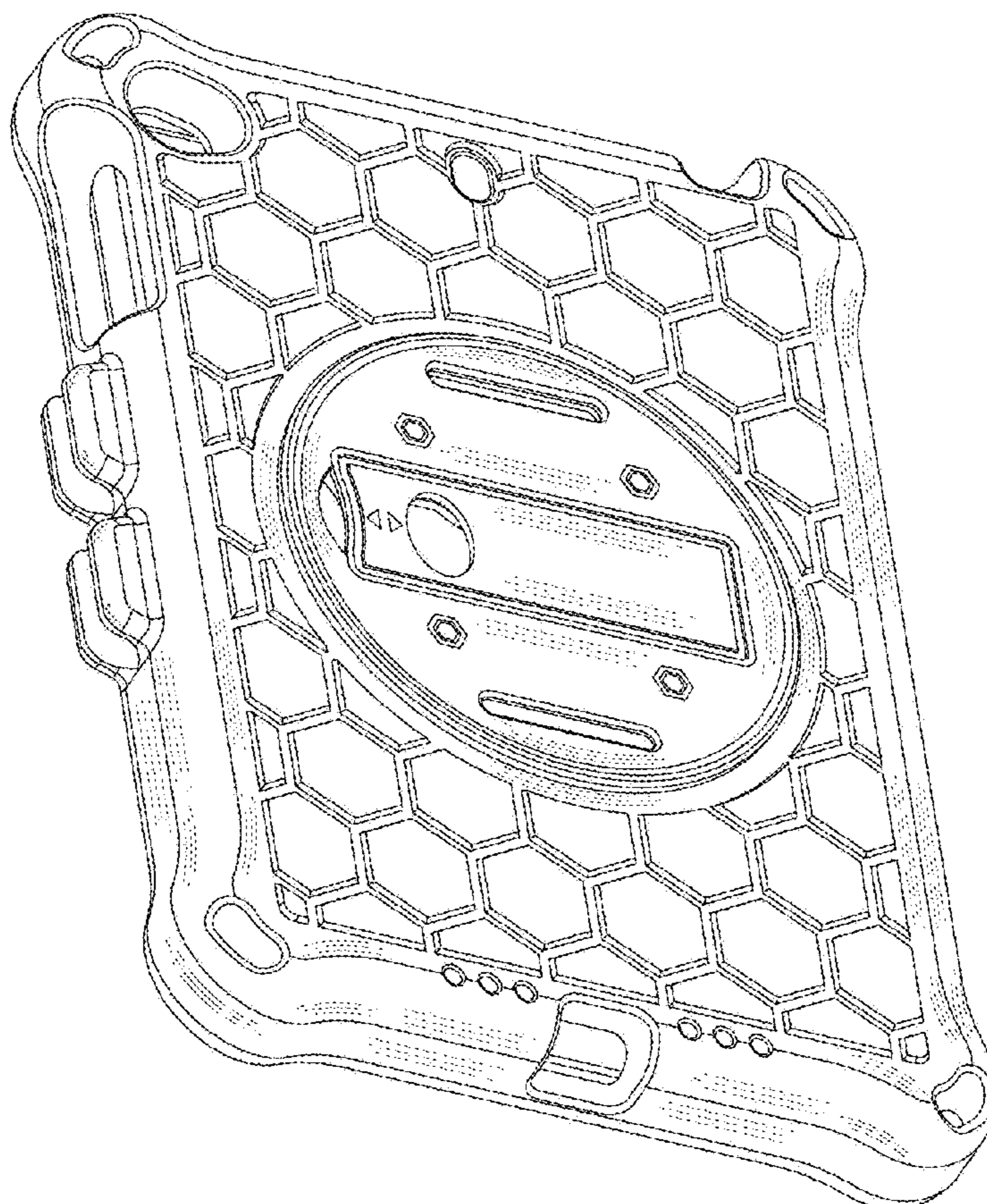
(57) **CLAIM**

The ornamental design for a tablet computer case, as shown and described.

**DESCRIPTION**

FIG. 1 is a front perspective view of a tablet computer case showing my new design;  
FIG. 2 is a rear perspective view thereof;  
FIG. 3 is a front elevation view thereof;  
FIG. 4 is a rear elevation view thereof;  
FIG. 5 is a left side elevation view thereof;  
FIG. 6 is a right side elevation view thereof;  
FIG. 7 is a top plan view thereof; and,  
FIG. 8 is a bottom plan view thereof.

**1 Claim, 8 Drawing Sheets**



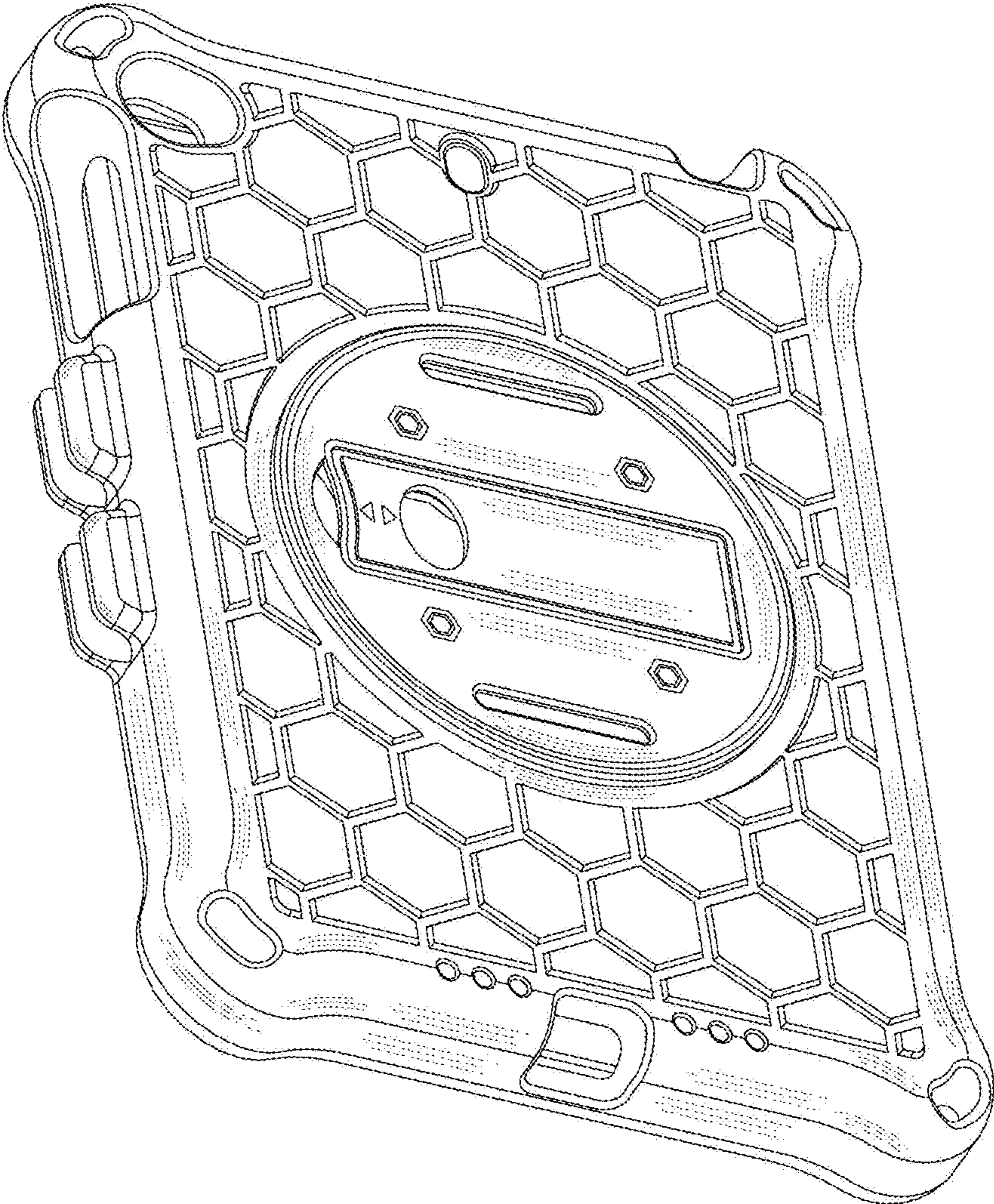


FIG.1

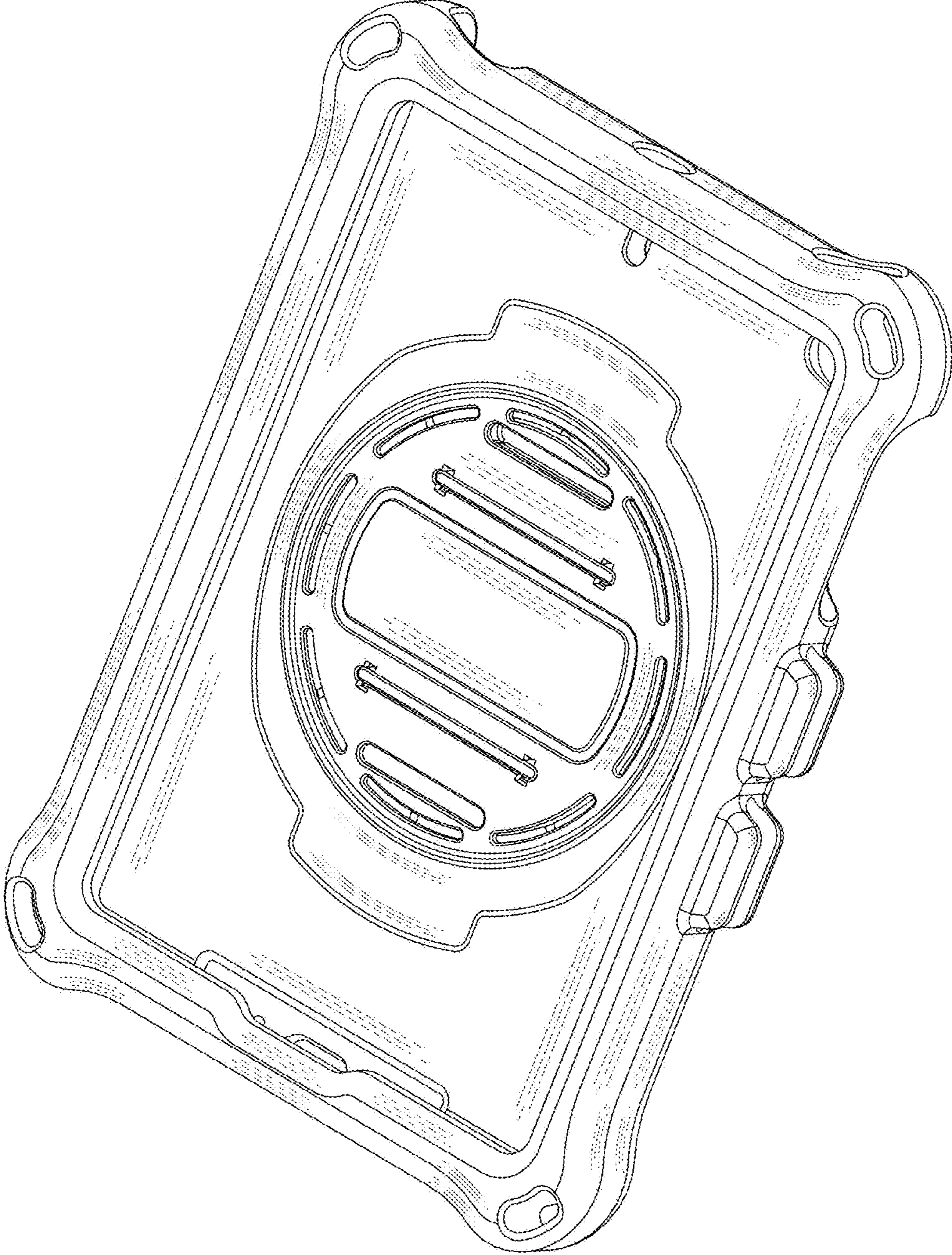


FIG.2

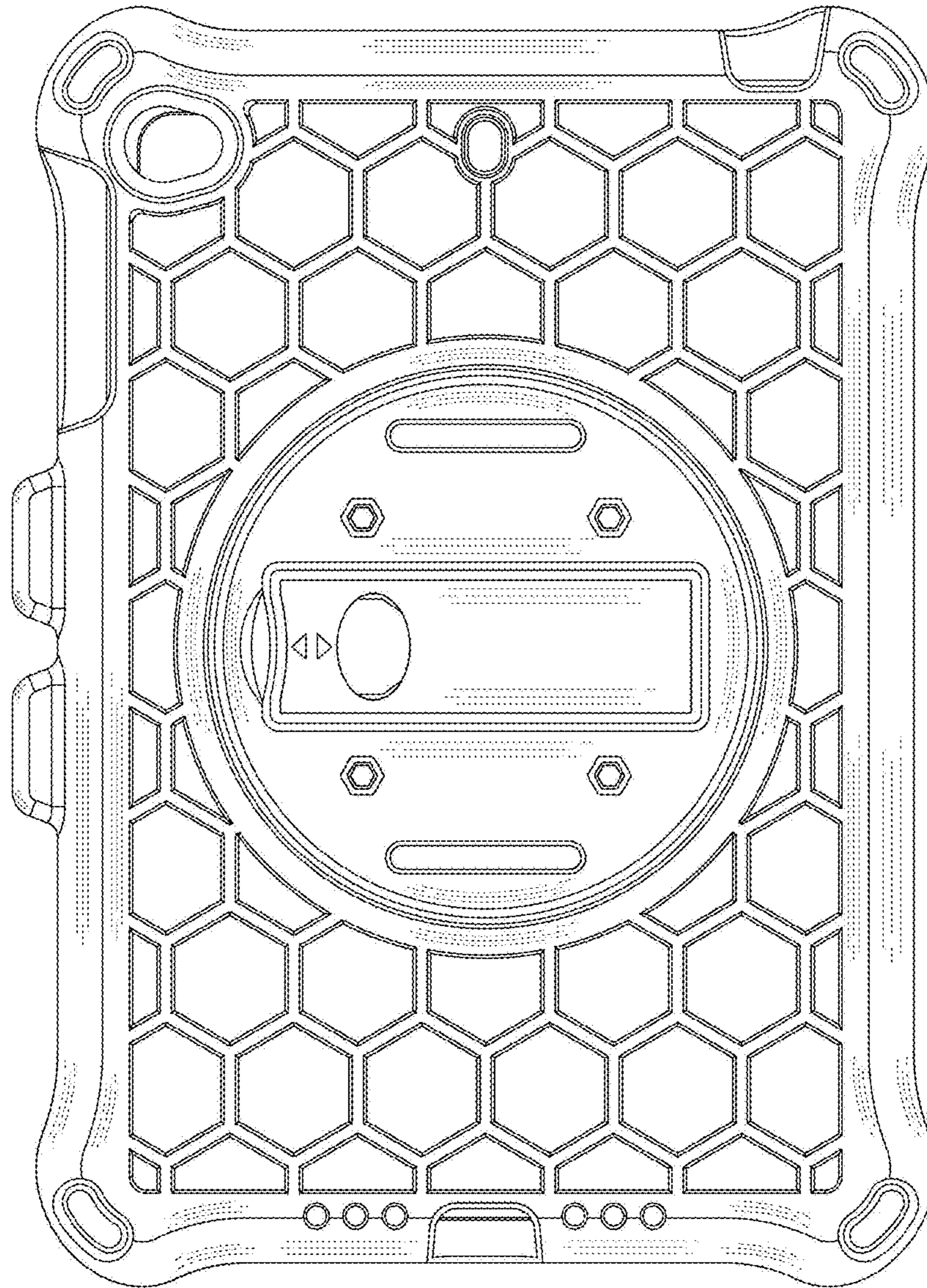


FIG.3

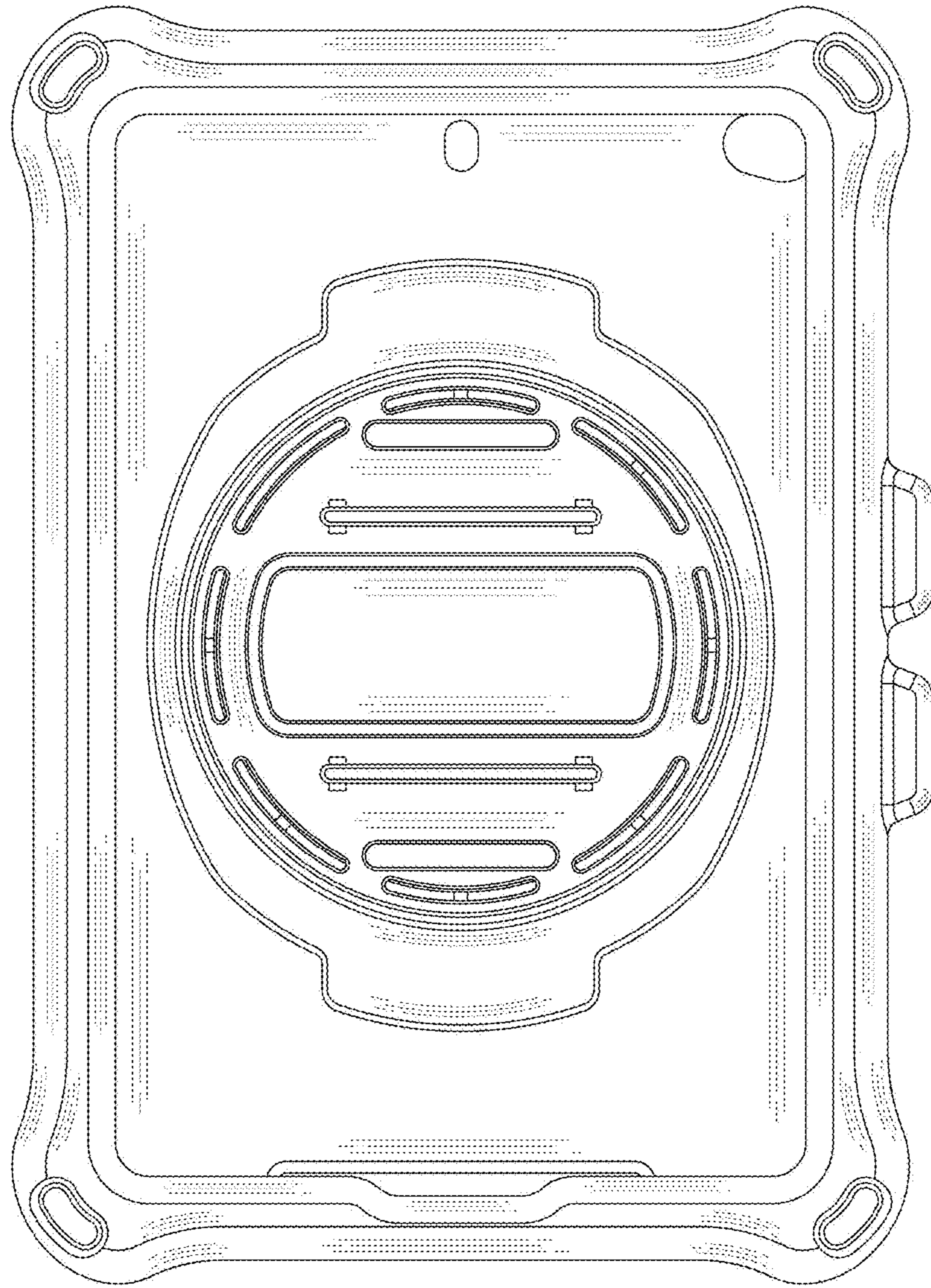


FIG.4

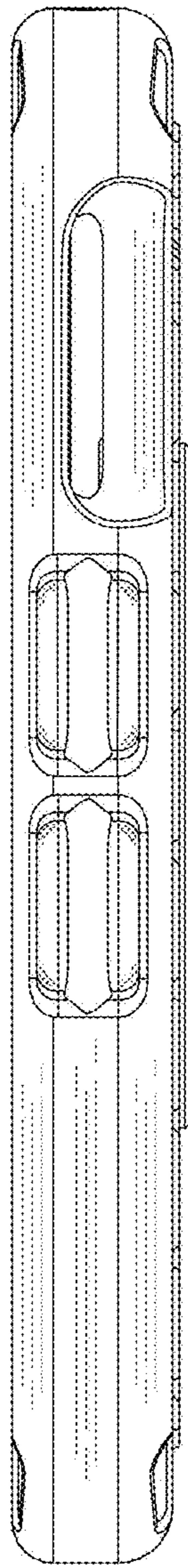


FIG.5

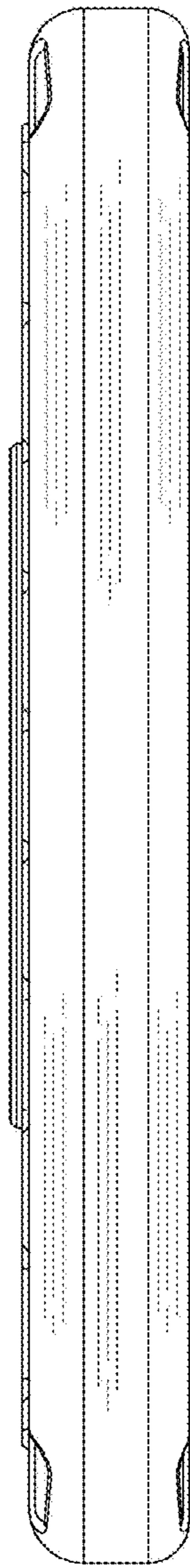


FIG.6

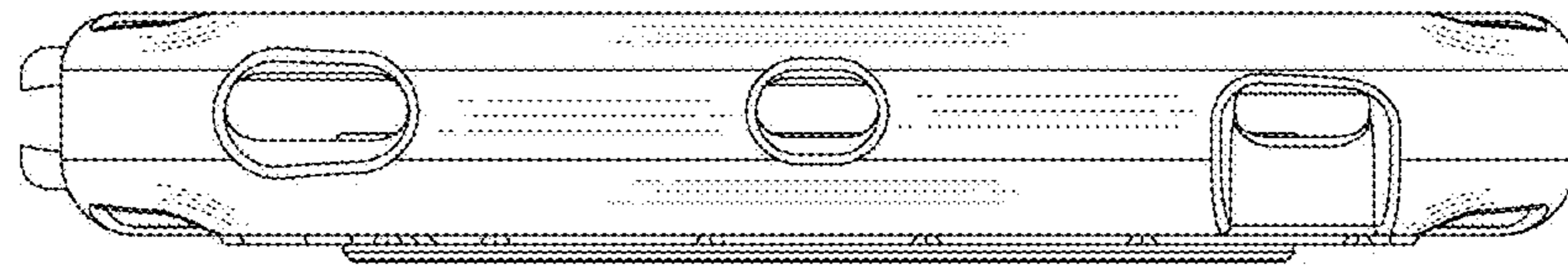


FIG. 7



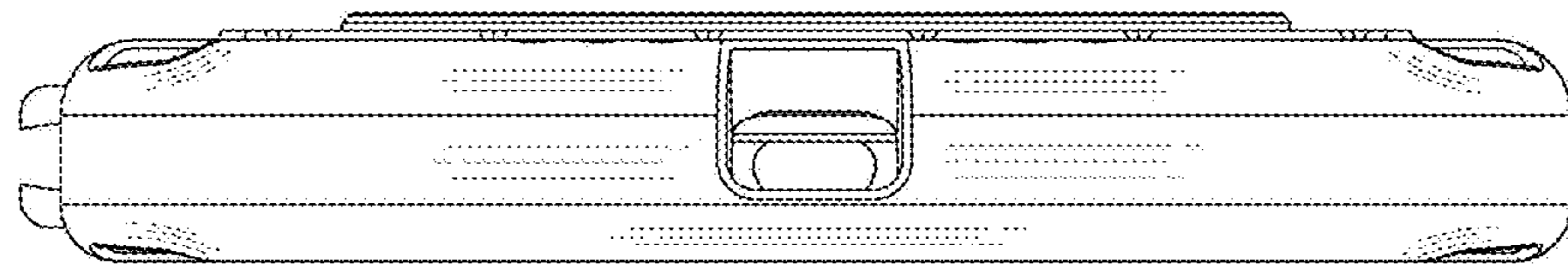


FIG. 8