



US00D967827S

(12) **United States Design Patent** (10) **Patent No.:** **US D967,827 S**
Akana et al. (45) **Date of Patent:** **** Oct. 25, 2022**

(54) **BACKPLATE FOR AN ELECTRONIC DEVICE**

(71) Applicant: **Apple Inc.**, Cupertino, CA (US)

(72) Inventors: **Jody Akana**, San Francisco, CA (US); **Molly Anderson**, San Francisco, CA (US); **Bartley K. Andre**, Palo Alto, CA (US); **Shota Aoyagi**, San Francisco, CA (US); **Anthony Michael Ashcroft**, San Francisco, CA (US); **Marine C. Bataille**, San Francisco, CA (US); **Jeremy Bataillou**, San Francisco, CA (US); **Markus Diebel**, San Francisco, CA (US); **M. Evans Hankey**, San Francisco, CA (US); **Julian Hoenig**, San Francisco, CA (US); **Richard P. Howarth**, San Francisco, CA (US); **Jonathan P. Ive**, San Francisco, CA (US); **Julian Jaede**, San Francisco, CA (US); **Daniel W. Jarvis**, Sunnyvale, CA (US); **Duncan Robert Kerr**, San Francisco, CA (US); **Richard H. Koch**, Cupertino, CA (US); **Robert F. Meyer**, Palo Alto, CA (US); **David A. Pakula**, San Francisco, CA (US); **Michael D. Quinones**, Campbell, CA (US); **Peter Russell-Clarke**, San Francisco, CA (US); **Benjamin Andrew Shaffer**, San Jose, CA (US); **Mikael Silvano**, San Francisco, CA (US); **Ian A. Spraggs**, San Francisco, CA (US); **Sung-Ho Tan**, Vienna (AT); **Clement Tissandier**, San Francisco, CA (US); **Christopher S. Tomasetta**, Sunnyvale, CA (US); **Eugene Antony Whang**, San Francisco, CA (US); **Rico Zörkendörfer**, San Francisco, CA (US)

(73) Assignee: **Apple Inc.**, Cupertino, CA (US)

(**) Term: **15 Years**

(21) Appl. No.: **29/822,533**

(22) Filed: **Jan. 10, 2022**

Related U.S. Application Data

(63) Continuation of application No. 29/802,006, filed on Aug. 2, 2021, now Pat. No. Des. 940,722, which is a continuation of application No. 29/761,766, filed on Dec. 11, 2020, now Pat. No. Des. 926,770, which is a continuation of application No. 29/691,337, filed on May 15, 2019, now Pat. No. Des. 905,065.

(51) **LOC (13) Cl.** **14-02**

(52) **U.S. Cl.**
USPC **D14/439**

(58) **Field of Classification Search**
USPC D14/341-347, 424, 425, 432-453, 464, D14/468, 469, 471, 496, 511, 138 AA, D14/138 AD, 138 C, 138 G, 203.1-203.8, D14/217, 238.1, 248, 250, 257, 299; 361/679.01, 679.02, 679.03, 679.3, 361/679.55, 679.56; 455/550.1, 556.1, 455/556.2, 575.1, 575.3-575.5, 575.8, 455/90.3

CPC H04M 1/0277; H04M 1/0202; H04M 1/02; H04B 1/3838

See application file for complete search history.

(56) **References Cited**

U.S. PATENT DOCUMENTS

6,900,388 B2	5/2005	Wang et al.
D513,617 S	1/2006	Tierney
D557,239 S	12/2007	Lee
7,303,424 B2	12/2007	Tu et al.
D558,757 S	1/2008	Andre et al.
D561,153 S	2/2008	Hong et al.
D569,830 S	5/2008	Kwak
D570,346 S	6/2008	Suk et al.
D574,819 S	8/2008	Andre et al.
D575,259 S	8/2008	Kim et al.
D580,387 S	11/2008	Andre et al.
D592,211 S	5/2009	Ichise et al.
D592,212 S	5/2009	Hamada et al.
D593,087 S	5/2009	Andre et al.
D594,863 S	6/2009	Ichise et al.
D602,014 S	10/2009	Andre et al.
D602,015 S	10/2009	Andre et al.
D602,017 S	10/2009	Andre et al.



7,660,560 B2 2/2010 Zuo et al.
D613,735 S 4/2010 Andre et al.
D613,736 S 4/2010 Andre et al.
D615,083 S 5/2010 Andre et al.
D617,792 S 6/2010 Andre et al.
D618,678 S 6/2010 Andre et al.
D619,361 S 7/2010 Andre et al.
D622,718 S 8/2010 Andre et al.
D622,719 S 8/2010 Andre et al.
D624,304 S 9/2010 Danze et al.
D624,536 S 9/2010 Andre et al.
D627,343 S 11/2010 Andre et al.
D627,778 S 11/2010 Akana et al.
D629,387 S 12/2010 Lee
D629,787 S 12/2010 Lee
D629,788 S 12/2010 Lee
7,869,206 B2 1/2011 Dabov et al.
7,876,274 B2 1/2011 Hobson et al.
D633,091 S 2/2011 Andre et al.
7,889,139 B2 2/2011 Hobson et al.
D633,493 S 3/2011 Akana et al.
D636,392 S 4/2011 Akana et al.
7,924,231 B2 4/2011 Hill et al.
D638,835 S 5/2011 Akana et al.
D639,805 S 6/2011 Song et al.
D640,646 S 6/2011 Wu et al.
D642,563 S 8/2011 Akana et al.
8,014,135 B2 9/2011 Yu
D647,106 S 10/2011 Akana et al.
D647,519 S 10/2011 Rothbaum et al.
D647,882 S 11/2011 Kim et al.
D649,539 S 11/2011 Hong
D652,015 S 1/2012 Han
8,102,319 B2 1/2012 Schlub et al.
8,106,836 B2* 1/2012 Hill H01Q 9/06
343/702
D653,640 S 2/2012 Kwon et al.
8,116,073 B2 2/2012 Hung et al.
D661,707 S 6/2012 Akana et al.
D662,922 S 7/2012 Akana et al.
D665,808 S 8/2012 Wang
D666,202 S 8/2012 Dinh et al.
D669,071 S 10/2012 Akana et al.
D677,666 S* 3/2013 Akana D14/439
D678,261 S 3/2013 Akana et al.
D681,032 S 4/2013 Akana et al.
D684,571 S 6/2013 Akana et al.
D689,475 S 9/2013 Andre et al.
D692,878 S 11/2013 Akana et al.
D695,316 S 12/2013 Akana et al.
D697,511 S 1/2014 Andre et al.
D699,717 S 2/2014 Akana et al.
D703,633 S 4/2014 Akana et al.
D706,253 S 6/2014 Simmer
D707,223 S 6/2014 Akana et al.
D710,843 S 8/2014 Akana et al.
D714,053 S 9/2014 Yoo
D714,294 S* 9/2014 Dinh D14/439
D714,771 S 10/2014 Rayner
D716,780 S 11/2014 Park
D716,781 S 11/2014 Andre et al.
D728,545 S 5/2015 Koh
D731,481 S 6/2015 Akana et al.
D732,040 S 6/2015 Chuang et al.
D732,540 S 6/2015 Kang et al.
D749,590 S 2/2016 Dinh et al.
D759,008 S 6/2016 Akana et al.
D764,434 S 8/2016 Akana et al.
D771,619 S 11/2016 Akana et al.
D824,389 S 7/2018 Dinh et al.
D832,267 S 10/2018 Akana et al.
D832,850 S 11/2018 Oh
D853,370 S 7/2019 Matsuoka et al.
D856,337 S* 8/2019 Akana D14/439
D856,338 S* 8/2019 Akana D14/439
D873,832 S* 1/2020 Akana D14/439
D890,762 S 7/2020 Nam et al.
D893,490 S 8/2020 Akana et al.
D893,495 S 8/2020 Akana et al.

D895,626 S* 9/2020 Akana D14/439
D895,627 S 9/2020 Akana et al.
D895,628 S 9/2020 Akana et al.
D896,232 S 9/2020 Akana et al.
D901,510 S* 11/2020 Akana D14/439
D905,065 S* 12/2020 Akana D14/439
D905,695 S* 12/2020 Akana D14/439
D905,696 S* 12/2020 Akana D14/439
D912,652 S 3/2021 Nam et al.
D924,190 S 7/2021 Matsuoka et al.
D924,241 S* 7/2021 Akana D14/439
D925,541 S 7/2021 Ahn et al.
D926,765 S 8/2021 Jody
D926,770 S* 8/2021 Akana D14/439
D927,492 S 8/2021 Cho et al.
D940,722 S* 1/2022 Akana D14/439
D945,426 S* 3/2022 Akana D14/439
D947,851 S* 4/2022 Akana D14/439
2006/0139856 A1 6/2006 Liu et al.
2006/0281501 A1 12/2006 Zuo et al.
2007/0082718 A1 4/2007 Yoon et al.
2008/0316116 A1 12/2008 Hobson et al.
2008/0316121 A1 12/2008 Hobson et al.
2009/0067141 A1 3/2009 Dabov et al.
2009/0247244 A1 10/2009 Mittleman et al.
2010/0105452 A1 4/2010 Shin et al.
2011/0151945 A1 6/2011 Jiang et al.
2011/0255218 A1 10/2011 Pakula et al.
2012/0002352 A1 1/2012 Hsiung
2012/0009974 A1 1/2012 Sunderland
2012/0073115 A1 3/2012 Filson et al.
2012/0086648 A1 4/2012 Leung
2012/0087066 A1 4/2012 Leggett
2013/0076965 A1 3/2013 Dabov
2013/0113348 A1 5/2013 Holben et al.

FOREIGN PATENT DOCUMENTS

JP D1351273 S 2/2009
JP D1474567 S 7/2013
JP D1481759 S 10/2013
JP D1496834 S 5/2014
TW D139493 3/2011

OTHER PUBLICATIONS

Fingas R, "Leak claims to show schematic for 2019's upcoming 'iPhone XI'," dated Mar. 28, 2019. <<https://appleinsider.com/articles/19/03/28/leak-claims-to-show-schematic-for-2019s-upcoming-iphone-xi>>.
Team Digit, "Exclusive: First look at 2019 Apple iPhone XI renders," dated Jan. 6, 2019, 3 pages. <<https://www.digit.in/news/mobile-phones/exclusive-first-look-at-2019-iphone-xi-renders-45655.html>>.
Twitter, @OnLeaks, "Excitement level over 9000!!!", dated Jan. 5, 2019. <<https://twitter.com/OnLeaks/status/1081902300434780161>>.
Wayback Machine Internet Archive, "iPhone 7 Pre-order Sep. 9," Apple Inc., dated Sep. 7, 2016. <<https://web.archive.org/web/20160907191555/https://www.apple.com/shop/buy-iphone/iphone-7>>.

* cited by examiner

Primary Examiner — Austin Murphy
(74) Attorney, Agent, or Firm — Sterne, Kessler, Goldstein & Fox P.L.L.C.

(57) CLAIM

The ornamental design for a backplate for an electronic device, as shown and described.

DESCRIPTION

FIG. 1 is a bottom front perspective view of a backplate for an electronic device showing the claimed design;

FIG. 2 is a top rear perspective view thereof;
FIG. 3 is a front view thereof;
FIG. 4 is a rear view thereof;
FIG. 5 is a left side view thereof;
FIG. 6 is a right side view thereof;
FIG. 7 is a top view thereof; and,
FIG. 8 is a bottom view thereof.

The dashed broken lines in the figures show portions of the backplate for an electronic device that form no part of the claimed design.

The dot-dash broken lines in the figures show boundaries that form no part of the claimed design.

1 Claim, 6 Drawing Sheets

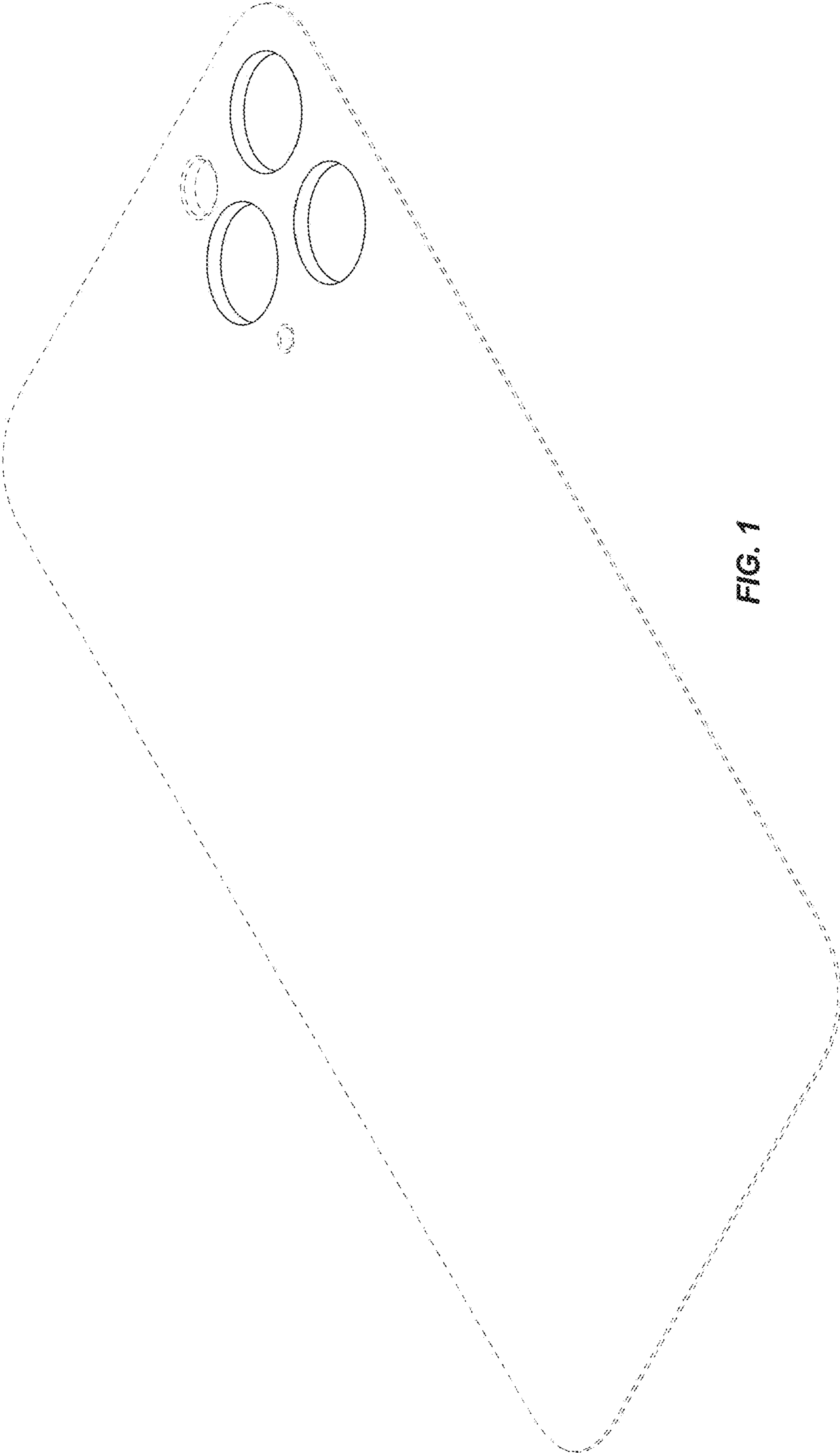


FIG. 1

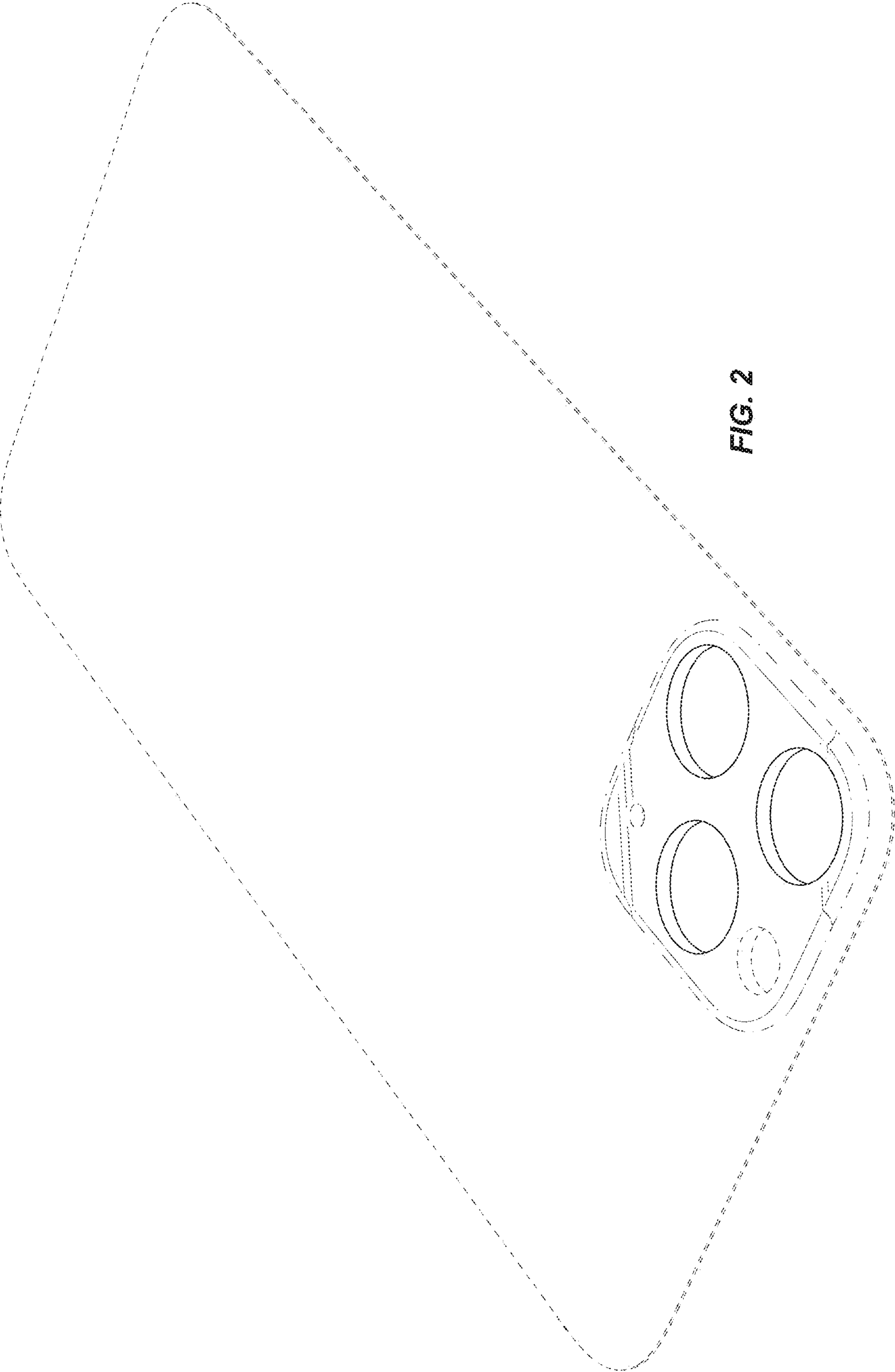


FIG. 2



FIG. 3



FIG. 4

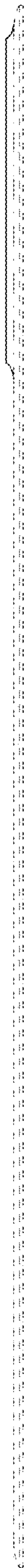


FIG. 5



FIG. 6

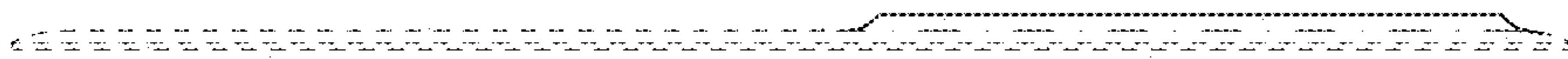


FIG. 7

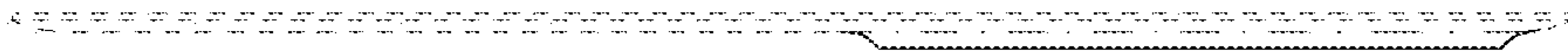


FIG. 8