



US00D967822S

(12) **United States Design Patent**
Campbell et al.

(10) **Patent No.:** **US D967,822 S**
(45) **Date of Patent:** **** Oct. 25, 2022**

(54) **COMPUTER INPUT DEVICE**

(71) Applicant: **ACCO Brands Corporation**, Lake Zurich, IL (US)

(72) Inventors: **Erik Campbell**, San Francisco, CA (US); **Abraham Camacho**, Phoenix, AZ (US); **Anita Chang**, Taipei (TW)

(73) Assignee: **ACCO Brands Corporation**, Lake Zurich, IL (US)

(**) Term: **15 Years**

(21) Appl. No.: **29/831,666**

(22) Filed: **Mar. 22, 2022**

Related U.S. Application Data

(62) Division of application No. 29/733,783, filed on May 6, 2020, now Pat. No. Des. 950,552.

(51) **LOC (13) Cl.** **14-02**

(52) **U.S. Cl.**
USPC **D14/402**

(58) **Field of Classification Search**
USPC D14/402–411, 356, 388, 389, 383–385, D14/417, 426; 345/156–167; 463/36–38; 358/471, 473; 273/148 B
CPC G06F 3/03543; G06F 2203/0333; G06F 3/039; G06F 3/038; G06F 2203/0384
See application file for complete search history.

(56) **References Cited**

U.S. PATENT DOCUMENTS

4,933,670 A	6/1990	Wislocki	
5,521,617 A	5/1996	Imai et al.	
5,561,445 A	10/1996	Miwa et al.	
5,714,982 A	2/1998	Imai et al.	
D402,281 S	* 12/1998	Ledbetter D14/417
5,850,213 A	12/1998	Imai et al.	
D409,181 S	5/1999	Edwards et al.	

(Continued)

FOREIGN PATENT DOCUMENTS

CN 201465051 U 5/2010
CN 202003316 U 10/2011

(Continued)

OTHER PUBLICATIONS

Logitech, “Comfort’s New Angle Wireless Trackball,” <<https://www.logitech.com/en-us/product/mx-ergo-wireless-trackball-mouse>> webpage publicly available as early as Nov. 22, 2017 (10 pages).

(Continued)

Primary Examiner — Austin Murphy

(74) *Attorney, Agent, or Firm* — Michael Best & Friedrich LLP

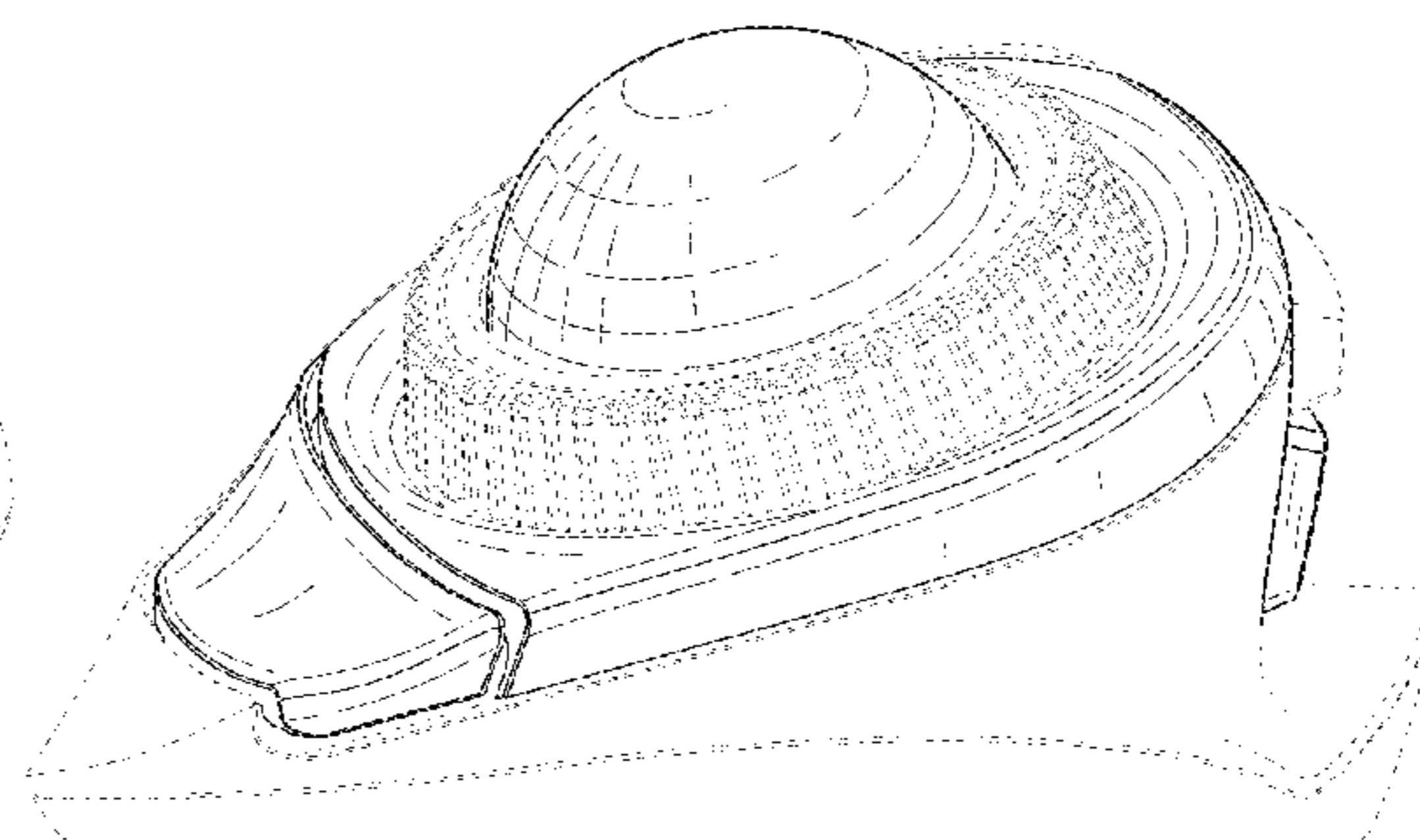
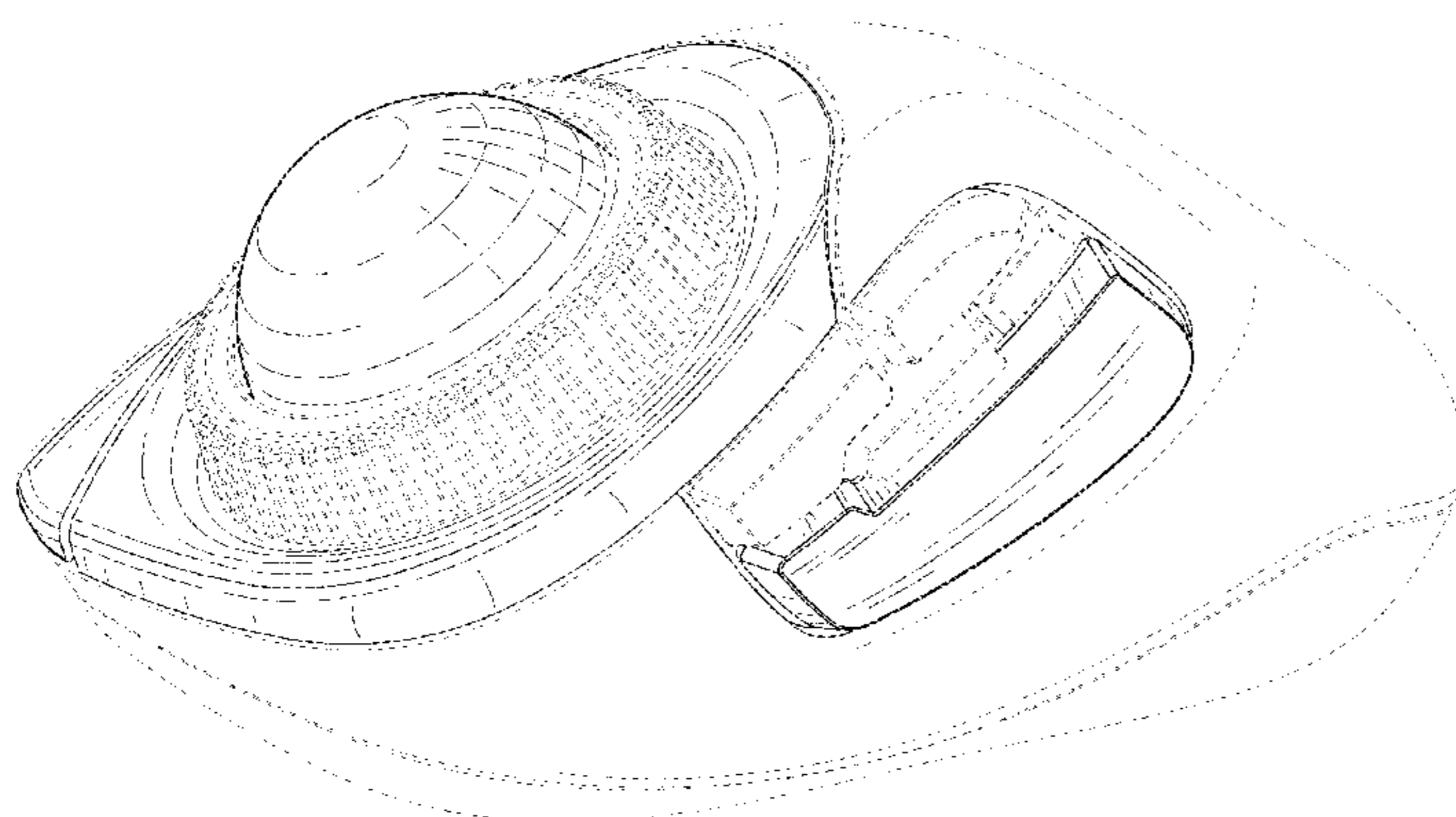
(57) **CLAIM**

We claim the ornamental design for a computer input device, as shown and described.

DESCRIPTION

FIG. 1 is a perspective view of a computer input device. FIG. 2 is a first side view of the computer input device shown in FIG. 1. FIG. 3 is a second side view of the computer input device shown in FIG. 1. FIG. 4 is a front view of the computer input device shown in FIG. 1. FIG. 5 is a rear view of the computer input device shown in FIG. 1. FIG. 6 is a top view of the computer input device shown in FIG. 1; and, FIG. 7 is a bottom view of the computer input device shown in FIG. 1. The broken lines having equal segments represent portions of the article that form no part of the claimed design.

1 Claim, 6 Drawing Sheets



(56)

References Cited

U.S. PATENT DOCUMENTS

D410,638 S * 6/1999 Sheehan D14/409
 D424,548 S 5/2000 Edwards et al.
 D430,877 S * 9/2000 Varga D14/408
 D431,037 S * 9/2000 Varga D14/409
 6,157,369 A 12/2000 Merminod et al.
 6,157,370 A 12/2000 Kravtin et al.
 D436,962 S 1/2001 Varga et al.
 D438,208 S * 2/2001 Jones D14/408
 D438,211 S * 2/2001 Jones D14/409
 6,218,659 B1 4/2001 Bidiville et al.
 D442,962 S * 5/2001 Loughnane D14/417
 D447,748 S * 9/2001 Loughnane D14/417
 D448,380 S * 9/2001 Sheehan D14/417
 D449,046 S 10/2001 Loughnane et al.
 6,429,848 B2 8/2002 Merminod et al.
 D466,121 S 11/2002 Von Ilberg et al.
 6,525,714 B1 2/2003 Varga et al.
 6,556,150 B1 4/2003 McLoone et al.
 6,788,288 B2 9/2004 Ano
 6,791,534 B2 9/2004 Tada et al.
 7,084,856 B2 8/2006 Huppi
 8,054,292 B1 11/2011 Forde et al.
 D667,410 S 9/2012 Altaai
 D681,039 S * 4/2013 Altaai D14/417
 8,446,366 B2 5/2013 Blandin et al.
 8,599,137 B2 12/2013 Rayner
 8,638,295 B2 1/2014 Bruss et al.
 8,780,044 B2 7/2014 Lee
 8,902,165 B1 12/2014 Pflughaupt
 9,261,986 B2 2/2016 Kumazawa et al.
 D950,552 S * 5/2022 Campbell D14/417
 2002/0060663 A1 5/2002 Wang
 2003/0197682 A1 10/2003 Huang
 2007/0083115 A1 4/2007 Lee et al.

2007/0236479 A1 10/2007 Wang et al.
 2007/0242045 A1 10/2007 Chien et al.
 2007/0254705 A1 11/2007 Griffin et al.
 2007/0259697 A1 11/2007 Griffin et al.
 2009/0079711 A1 3/2009 Monney et al.
 2009/0189861 A1 7/2009 Ledbetter et al.
 2011/0241994 A1 10/2011 Kumazawa et al.
 2013/0321272 A1 12/2013 Deng
 2019/0138121 A1 5/2019 Selby et al.
 2021/0157423 A1* 5/2021 Campbell G06F 3/0362

FOREIGN PATENT DOCUMENTS

DE 102016215005 A1 2/2018
 EP 1847920 A2 10/2007
 EP 2090963 A1 8/2009
 EP 1973029 B1 7/2010
 EP 2261773 B1 9/2011
 EP 2040148 B1 12/2013
 EP 2360812 B1 7/2018
 JP 4050361 B2 2/2008
 JP S1548521 4/2016
 WO 9202007 A1 2/1992
 WO 03007143 A1 1/2003

OTHER PUBLICATIONS

Japanese Patent Office Notice of Reasons of the Rejection for Application No. 2020-021161 dated Mar. 30, 2021 (3 pages including English translation).
 European Patent Office Extended Search Report and Written Opinion for Application No. 21165501.4 dated Sep. 16, 2021 (9 pages).
 Japanese Patent Office Decision of Rejection for Application No. 2020-021161 dated Apr. 26, 2022 (3 pages including English translation).

* cited by examiner

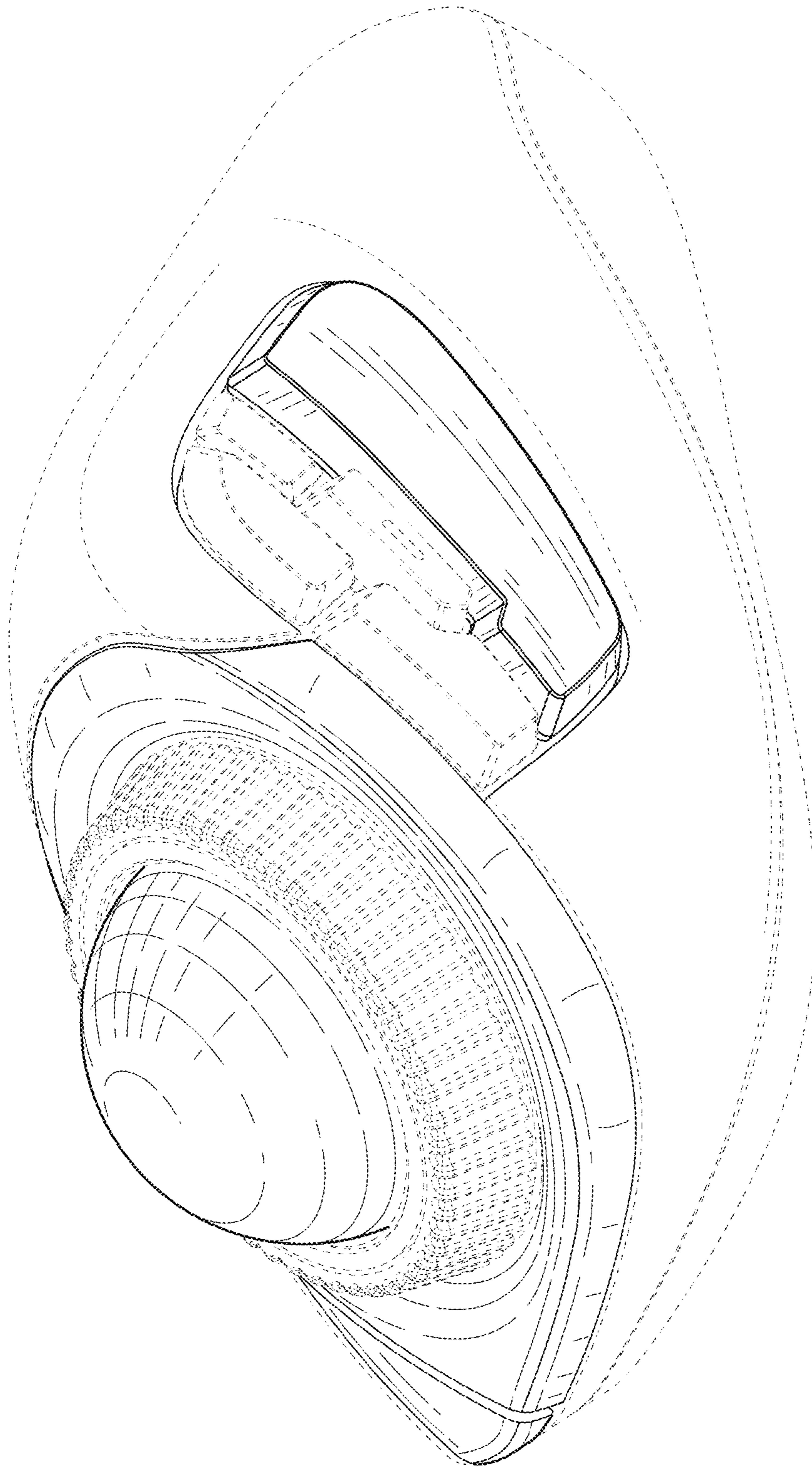


FIG. 1

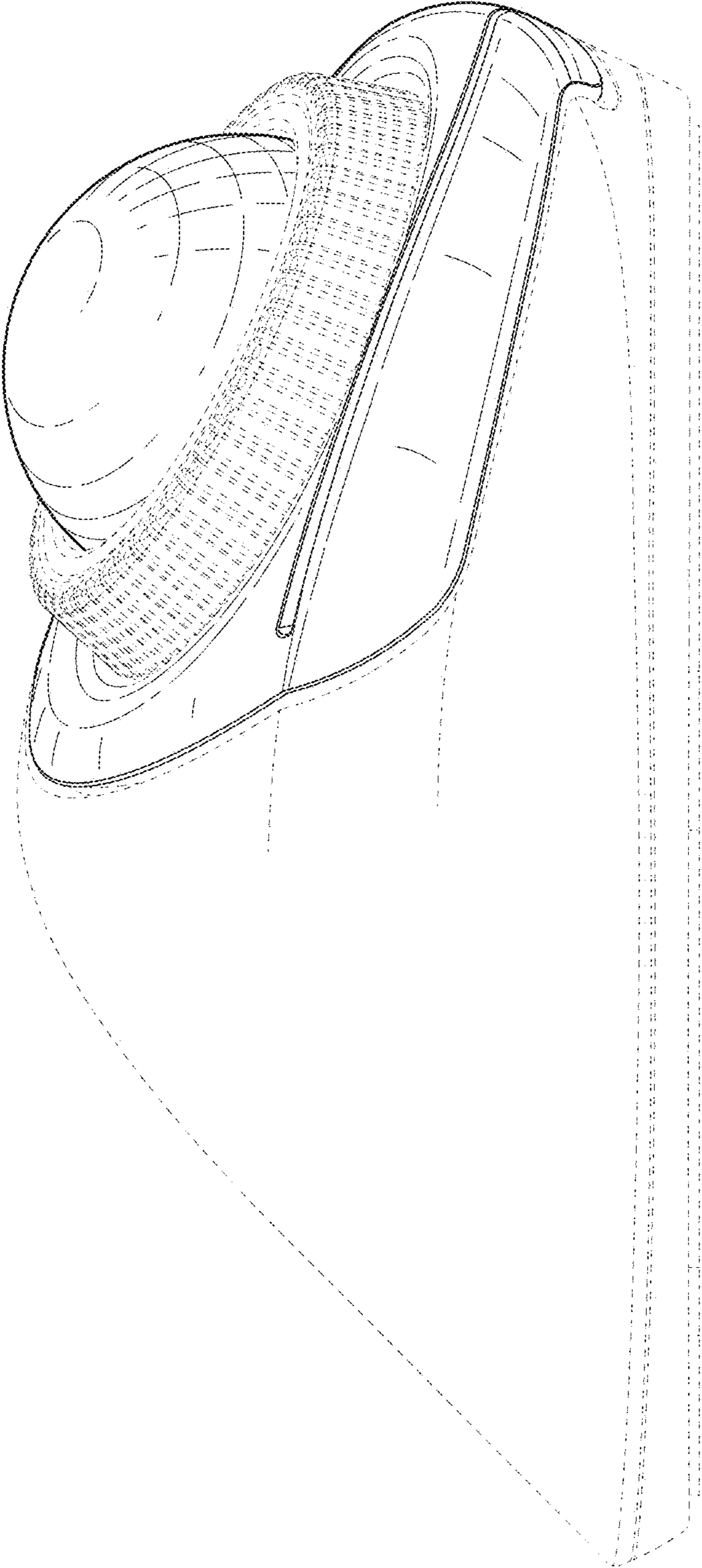


FIG. 2

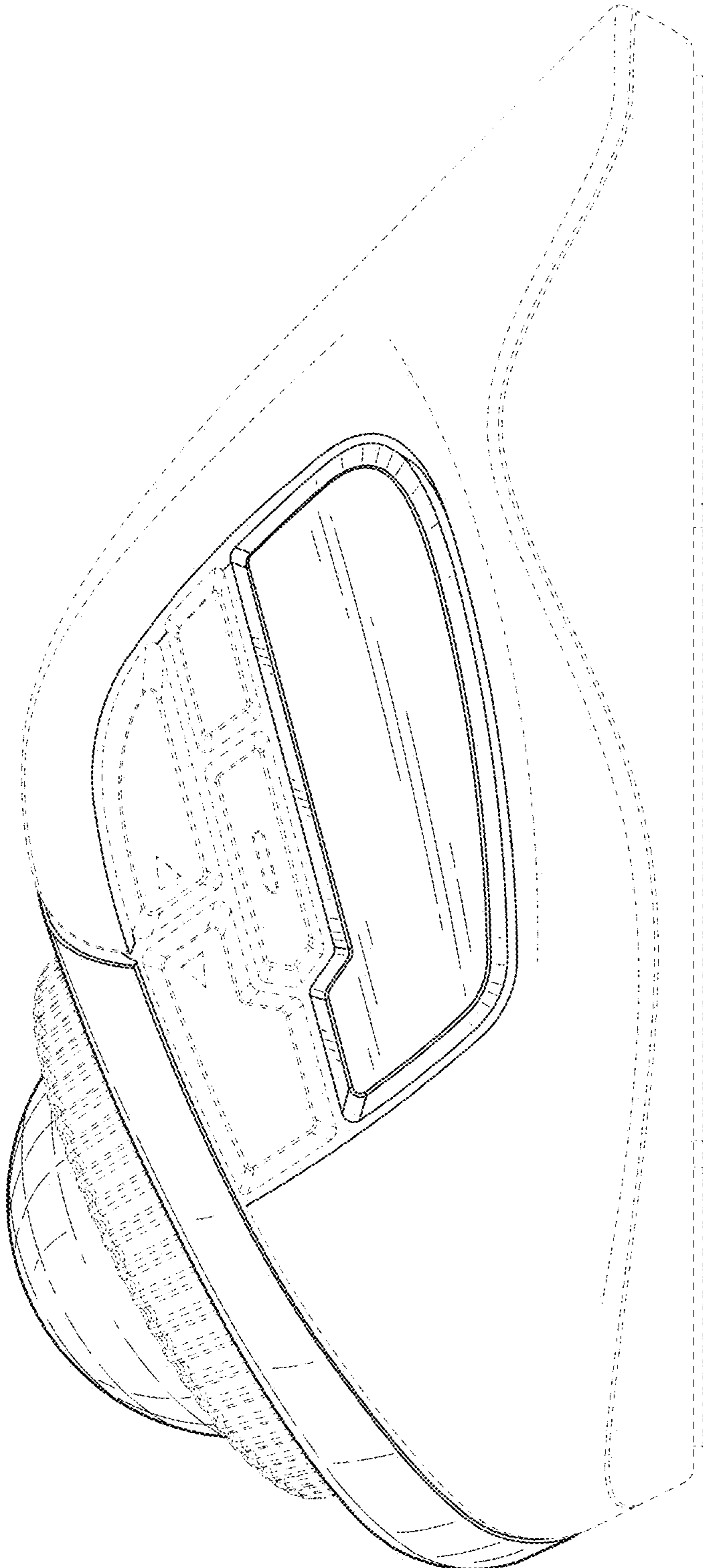


FIG. 3

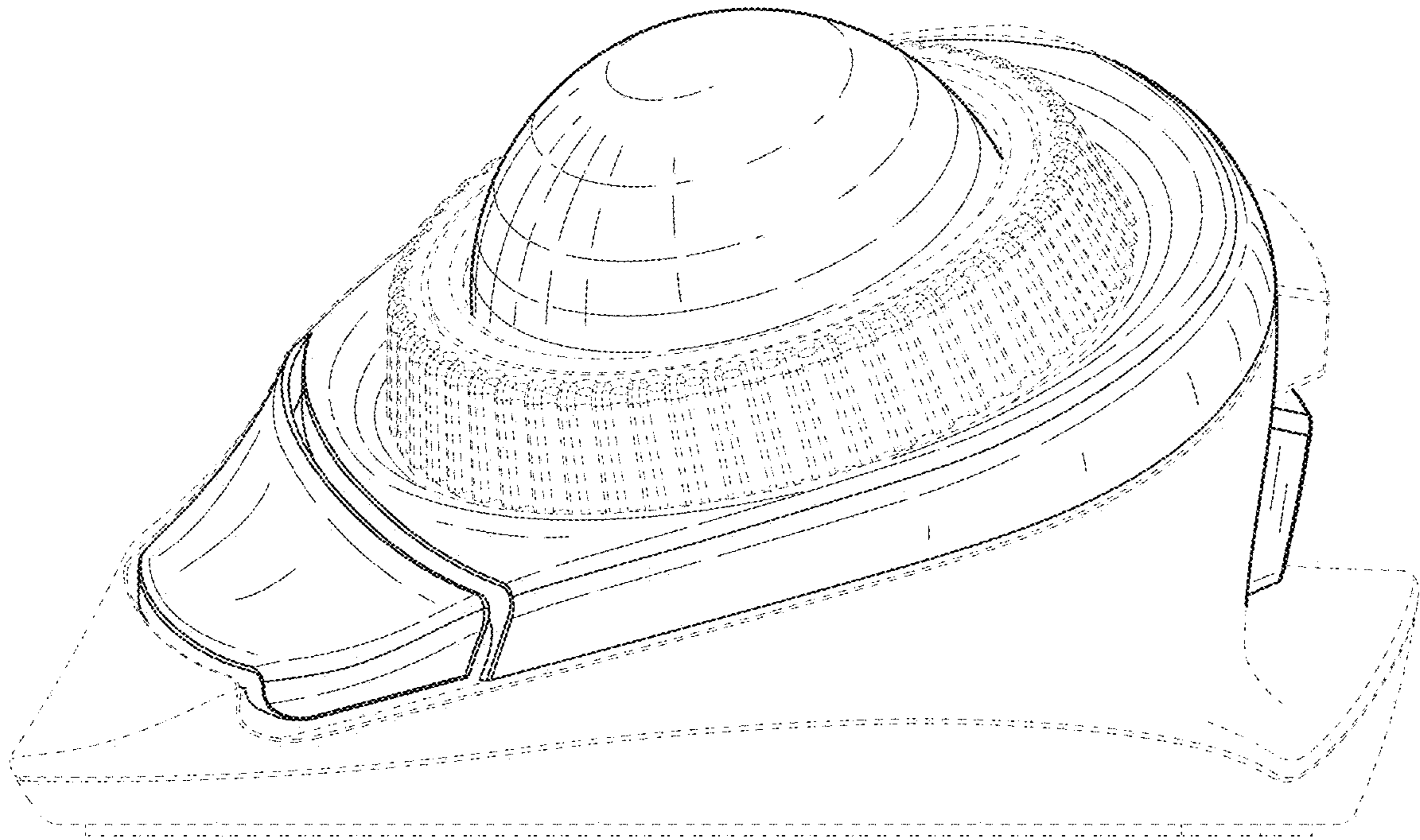


FIG. 4

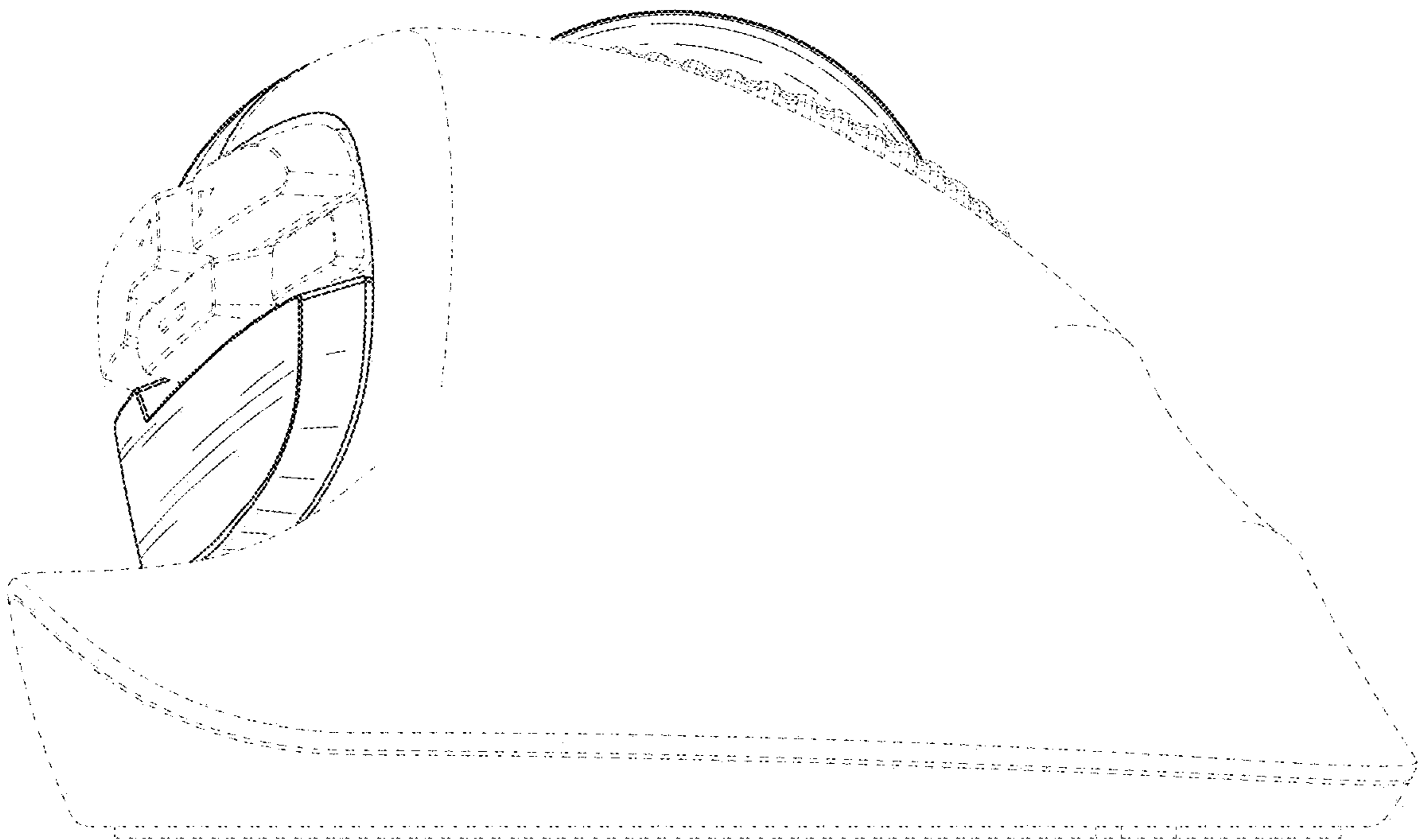


FIG. 5

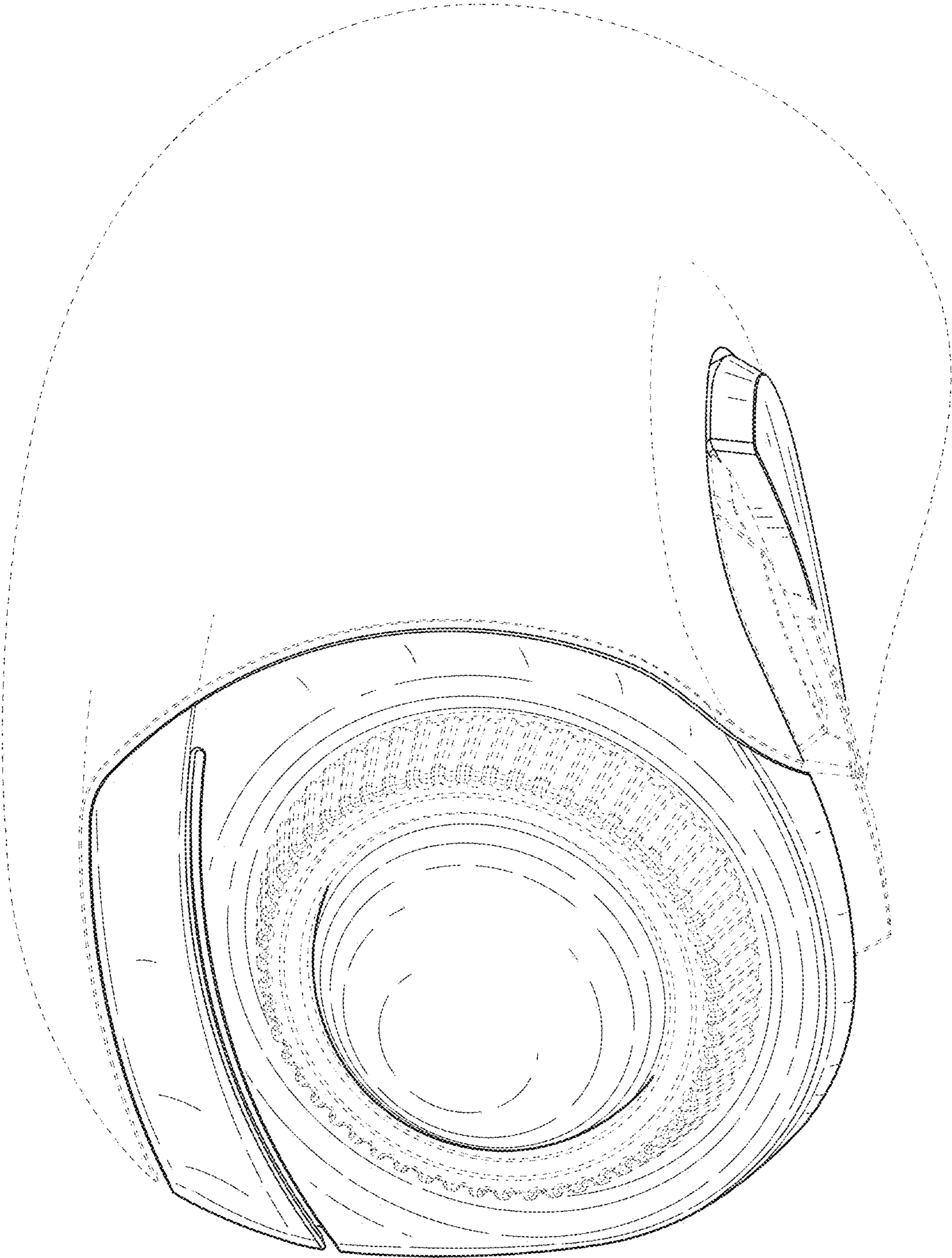


FIG. 6

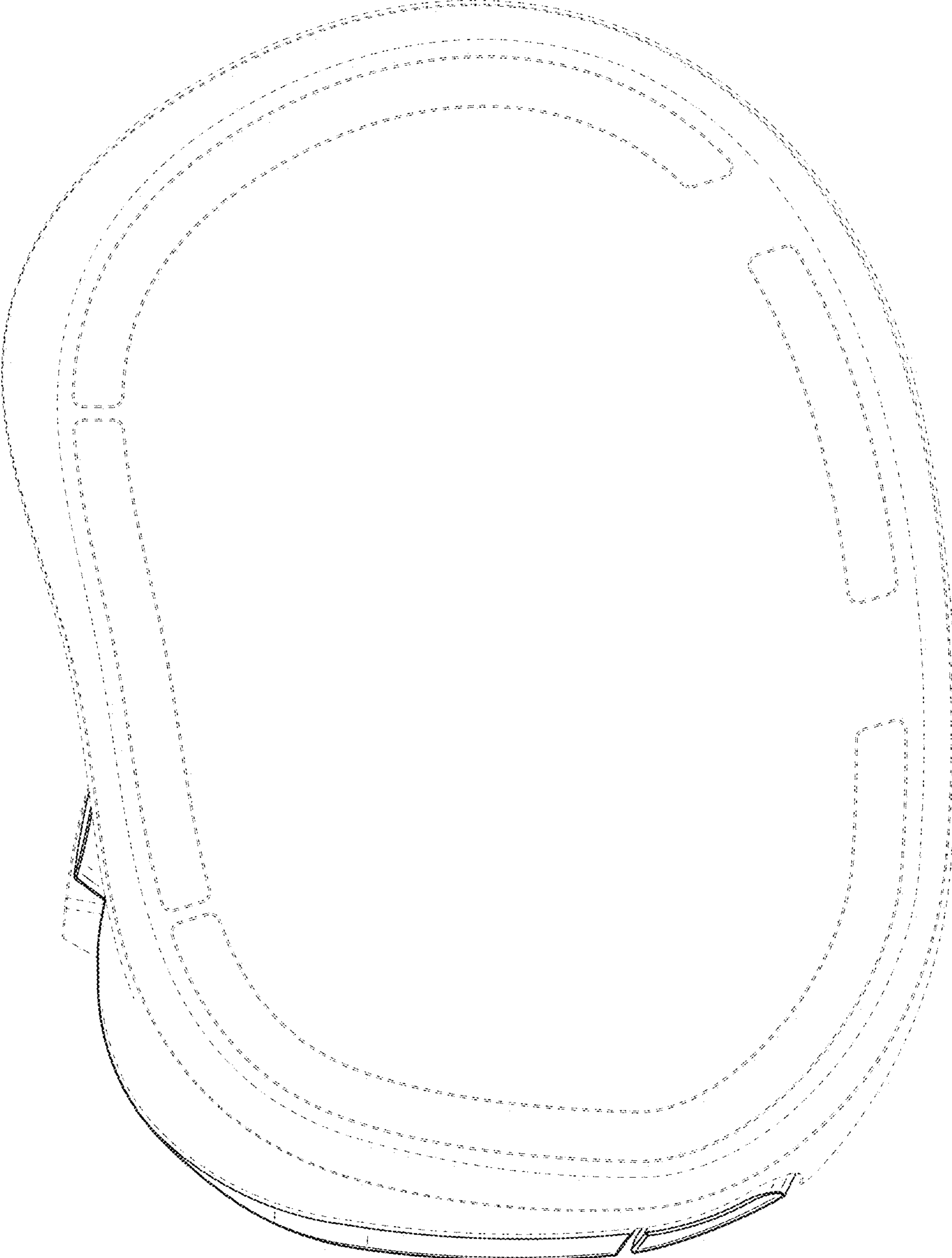


FIG. 7