



US00D967821S

(12) **United States Design Patent**
Tang

(10) **Patent No.:** **US D967,821 S**

(45) **Date of Patent:** **** Oct. 25, 2022**

(54) **ONE-HANDED KEYBOARD**

(71) Applicant: **SHENZHEN TARGETEVER TECHNOLOGY CO., LTD**, Shenzhen (CN)

(72) Inventor: **Xiancheng Tang**, Shenzhen (CN)

(**) Term: **15 Years**

(21) Appl. No.: **29/717,938**

(22) Filed: **Dec. 19, 2019**

(30) **Foreign Application Priority Data**

Sep. 10, 2019 (CN) 201930496297.9

(51) **LOC (13) Cl.** **14-02**

(52) **U.S. Cl.**
USPC **D14/393**

(58) **Field of Classification Search**
USPC D14/247, 315-327, 331-333, 338,
D14/345-347, 387, 390-401, 406, 429,
D14/455-457, 460-461, 412-413;
D18/1-2, 4.1-4.6, 7, 11, 12.2, 52;
D21/324, 409, 333

CPC B41J 5/00; B41J 5/10; B41J 5/12; G06F
3/021; G06F 3/0216; G06F 3/0219; G06F
3/02

See application file for complete search history.

(56) **References Cited**

U.S. PATENT DOCUMENTS

D283,895 S * 5/1986 Grimes D14/432
D286,047 S * 10/1986 Roots D14/399
D315,896 S * 4/1991 Brown D14/399
D356,553 S * 3/1995 Retter D14/391
5,583,497 A * 12/1996 Hanks H01H 13/84
708/142
5,661,505 A * 8/1997 Livits G06F 3/0213
345/157

D394,850 S * 6/1998 Kitoh D14/406
D448,746 S * 10/2001 Gorman D14/151
6,370,018 B1 * 4/2002 Miller, Jr. H04M 1/23
345/169

(Continued)

FOREIGN PATENT DOCUMENTS

CN 304887466 * 11/2018
CN 305086972 * 3/2019

(Continued)

OTHER PUBLICATIONS

One-Handed Gaming Keyboard, TESHUICK, amazon.com, published by TESHUICK, first available Apr. 13, 2019 © 1996-2020 Amazon.com, Inc., online, site visited Dec. 9, 2020. Available from Internet, URL: <https://www.amazon.com.au/TESHUICK-One-Handed-Keyboard-Programmable-Gameboard/dp/B078HHW8RM> (Year: 2019).*

(Continued)

Primary Examiner — Holly E Thurman
Assistant Examiner — Altaira J Swangin

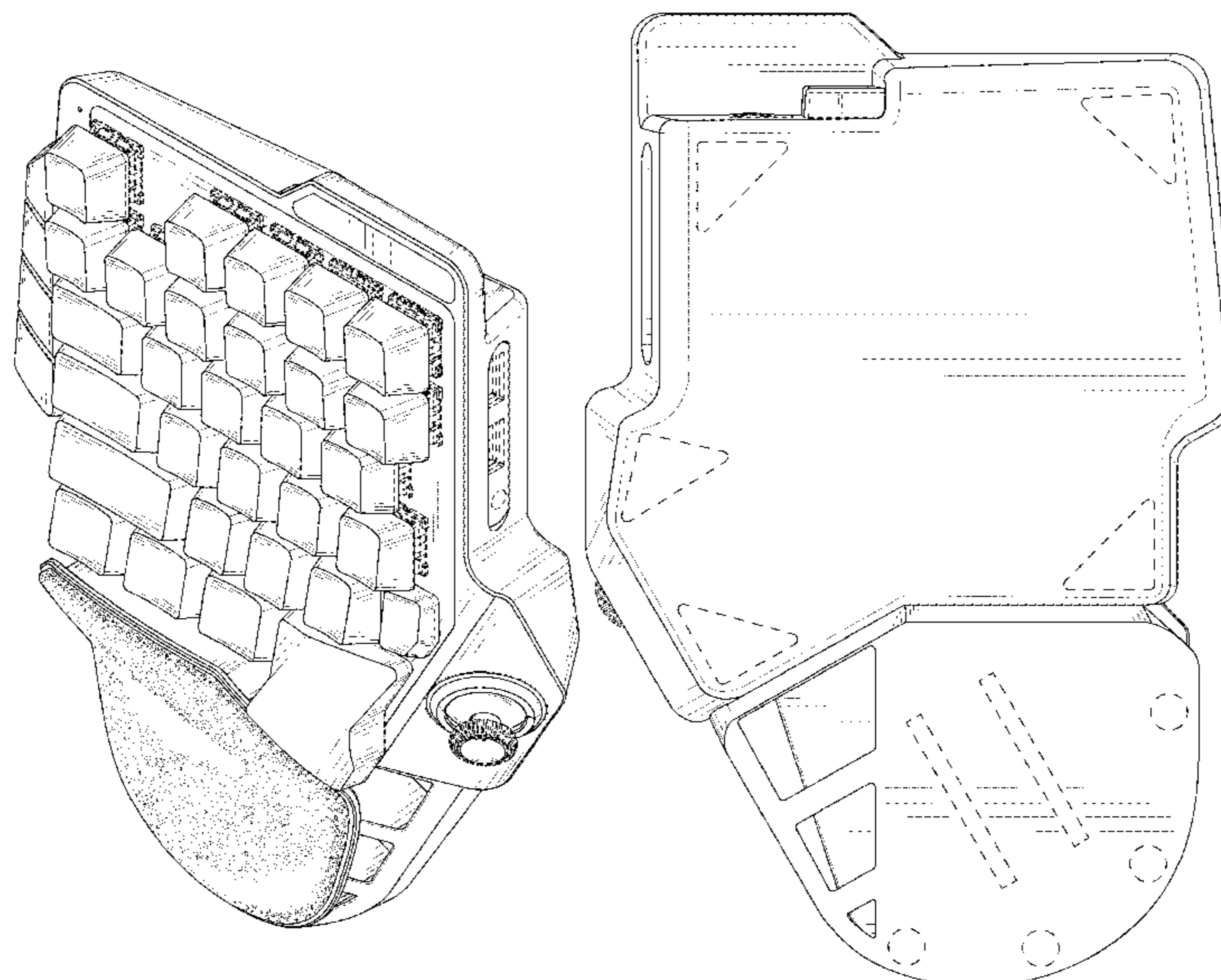
(57) **CLAIM**

The ornamental design for a one-handed keyboard, as shown and described.

DESCRIPTION

FIG. 1 is a perspective view of a one-handed keyboard showing my new design;
FIG. 2 is a front view thereof;
FIG. 3 is a rear view thereof;
FIG. 4 is a left side view thereof;
FIG. 5 is a right side view thereof;
FIG. 6 is a top plan view thereof; and,
FIG. 7 is a bottom plan view thereof.
The broken lines in the drawings illustrate portions of the one-handed keyboard that form no part of the claimed design.

1 Claim, 7 Drawing Sheets



(56)

References Cited

U.S. PATENT DOCUMENTS

6,543,947 B2 * 4/2003 Lee G06F 3/0219
400/489
6,630,924 B1 * 10/2003 Peck G06F 1/163
345/156
D493,464 S * 7/2004 Kollasch D14/393
D494,590 S * 8/2004 Richter D14/393
D516,559 S * 3/2006 Cohen D14/412
D525,622 S * 7/2006 Manthe, III D14/391
D602,493 S * 10/2009 Beale D14/406
D615,544 S * 5/2010 Pascucci D14/399
D615,977 S * 5/2010 Sogabe D14/400
D622,724 S * 8/2010 Burke D14/400
D631,475 S * 1/2011 Burke D14/400
D636,394 S * 4/2011 Burke D14/400
D658,649 S * 5/2012 Mody D14/397
8,842,072 B2 * 9/2014 Chung G06F 3/03543
345/168
D717,877 S * 11/2014 Cerone D21/333
8,896,541 B2 * 11/2014 Huang G06F 3/0221
345/168
D728,571 S * 5/2015 Perris D14/399
D803,945 S * 11/2017 Matsuda D21/333
D834,020 S * 11/2018 Pascucci D14/399
D836,111 S * 12/2018 Buhler D14/393
D928,882 S * 8/2021 Larkin D21/333
11,287,289 B2 * 3/2022 Sun G01D 5/34715
2020/0379578 A1 * 12/2020 Karunwi G06F 3/0227
2022/0058606 A1 * 2/2022 Boone G06F 3/0202

FOREIGN PATENT DOCUMENTS

CN 305131384 * 4/2019
CN 305131393 * 4/2019
CN 305427142 * 11/2019
CN 305473520 * 12/2019
CN 305498599 * 12/2019
CN 305504323 * 12/2019
EP 006852745-0001 * 9/2019
JP D1658907 * 5/2020

OTHER PUBLICATIONS

One-Hand Gaming Keyboard, Bufeng Mountain, amazon.com, published by Bufeng Mountain, first available Apr. 30, 2019 © 1996-2020 Amazon.com, Inc., online, site visited Dec. 9, 2020. Available from Internet, URL: <https://www.amazon.com/One-Handed-K50-Mechanical-Mini-Game-Definition/dp/B07R4LJT42?th=1> (Year: 2019).*

One-Handed Gaming Keypad, Forty4, amazon.com, published by Forty4, first available Jul. 14, 2020 © 1996-2020 Amazon.com, Inc., online, site visited Dec. 9, 2020. Available from Internet, URL: https://www.amazon.com/Mechanical-Keyboards-Programmable-Backlit-Adjustable/dp/B08CXM3VJR/ref=sr_1_3... (Year: 2020).*

Tartarus V2, Razer, razer.com, published by Razer on Feb. 24, 2021 per wayback machine © 2022 Razer, Inc., online, site visited Aug. 5, 2022. Available from Internet, URL: <https://www.razer.com/gaming-keypads/razer-tartarus-v2> (Year: 2021).*

* cited by examiner

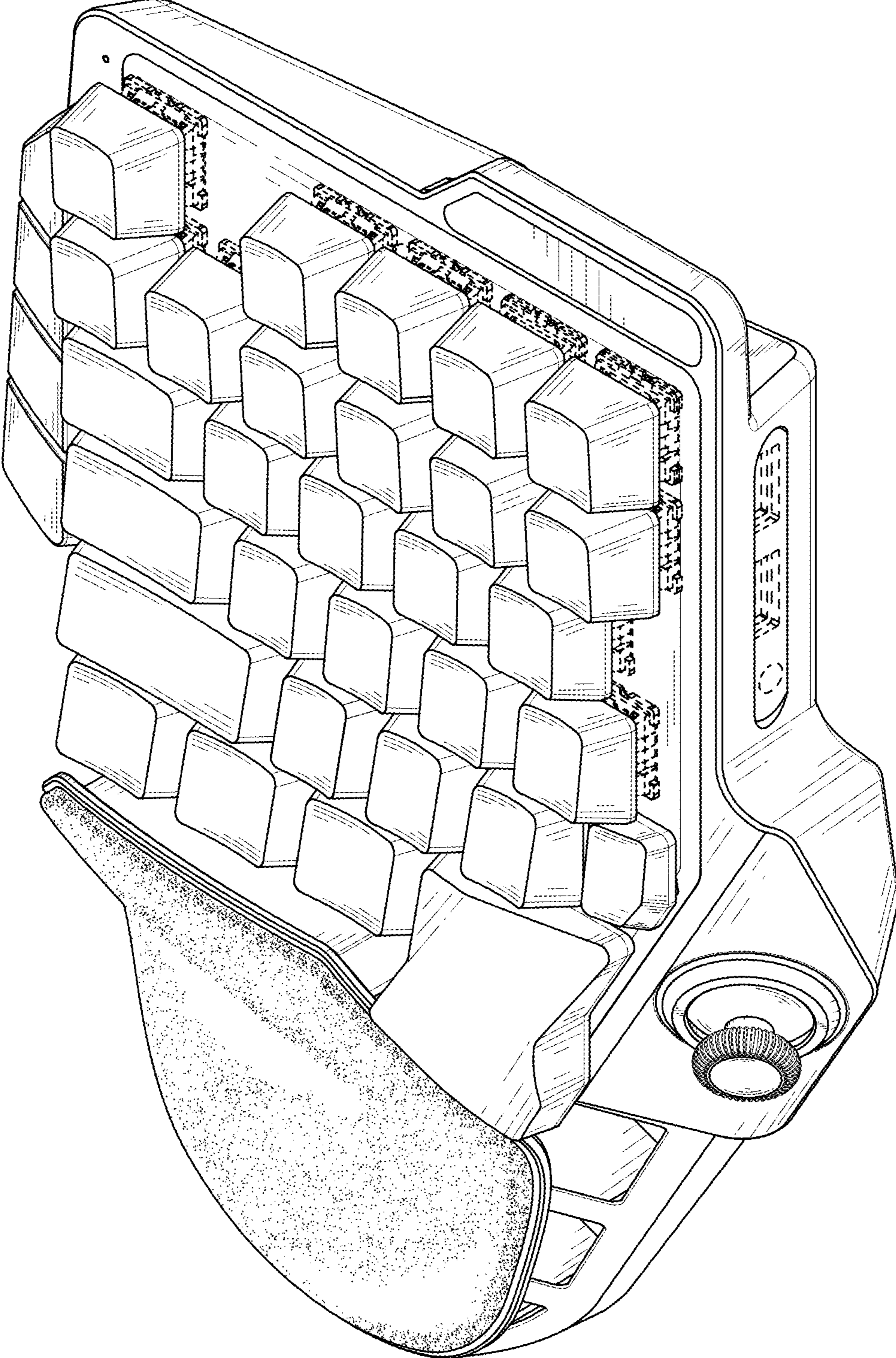


FIG. 1

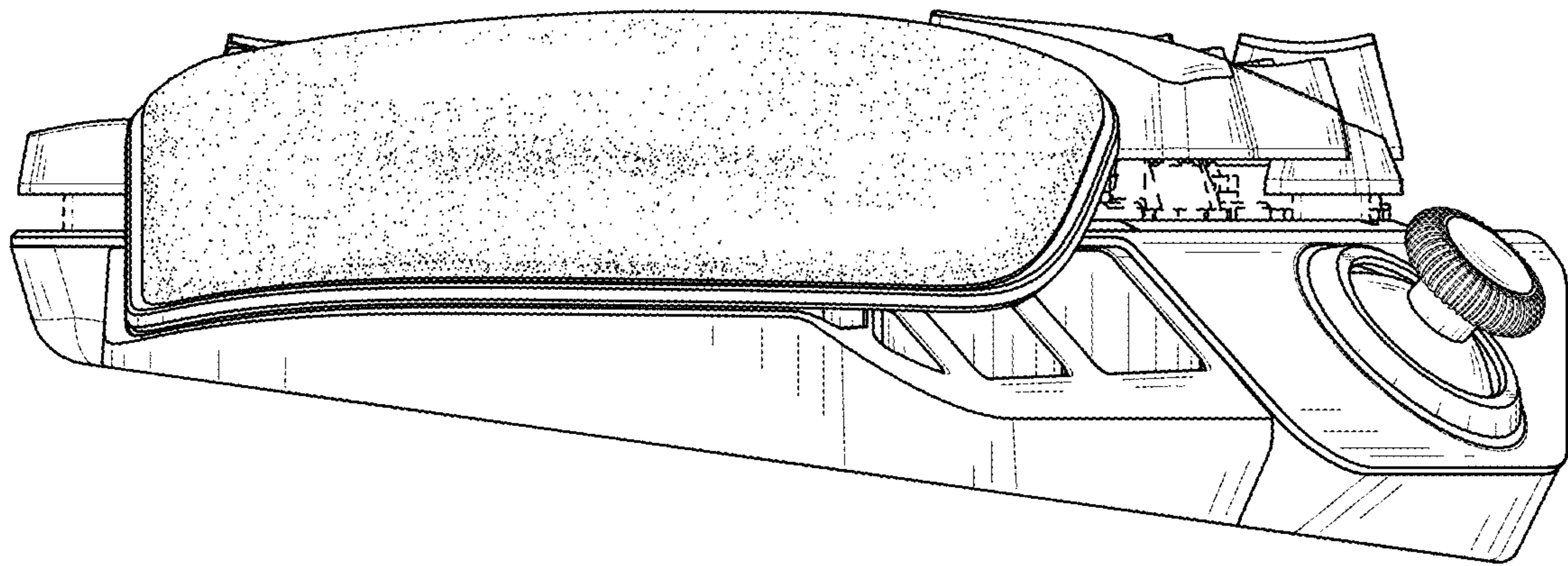


FIG. 2

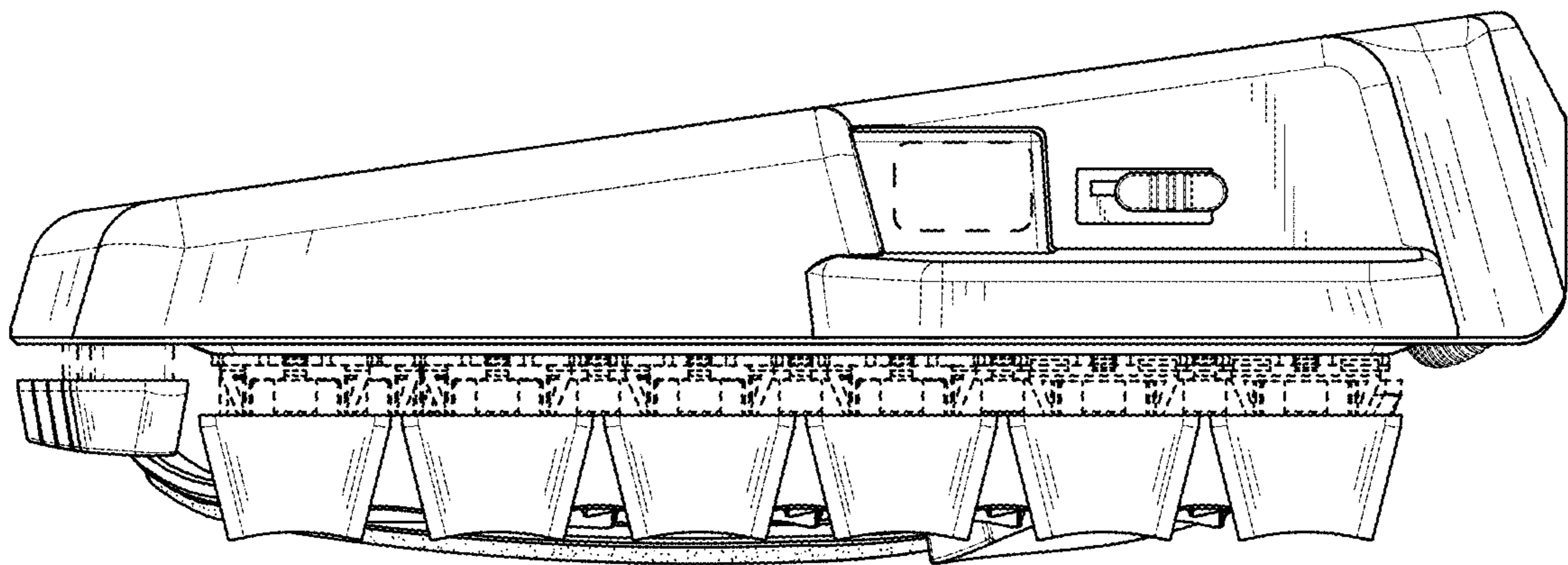


FIG. 3

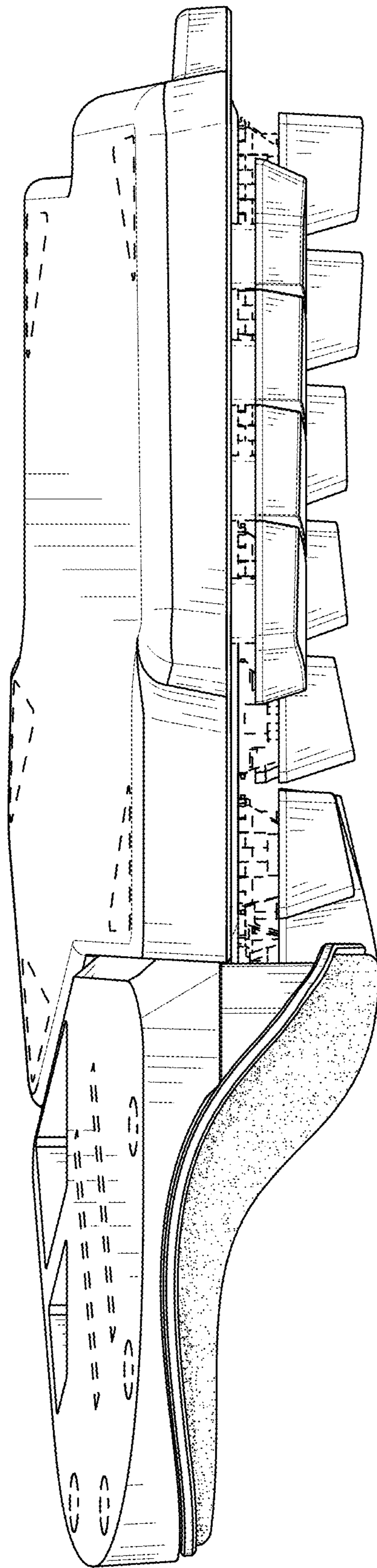


FIG. 4

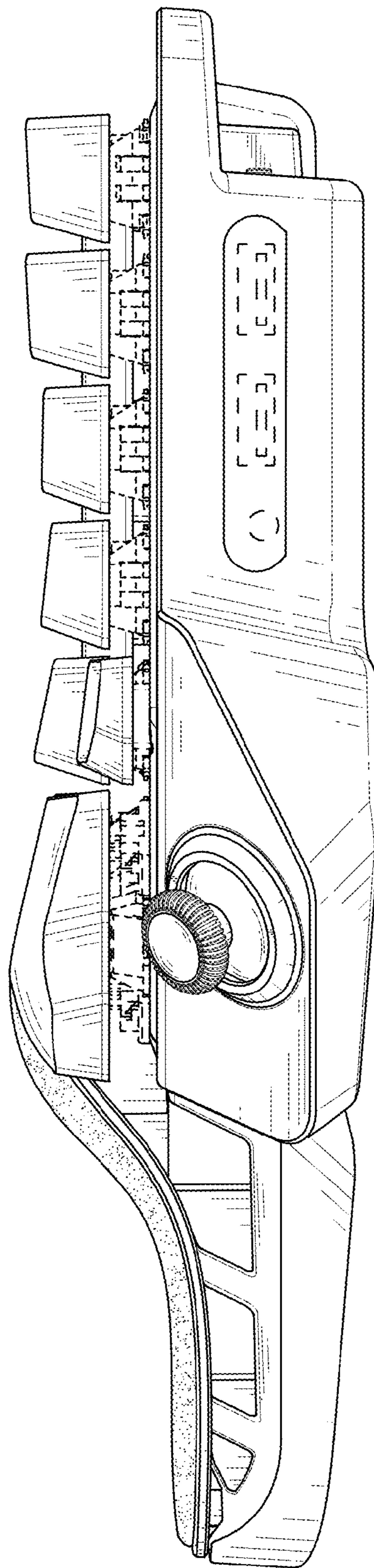


FIG. 5

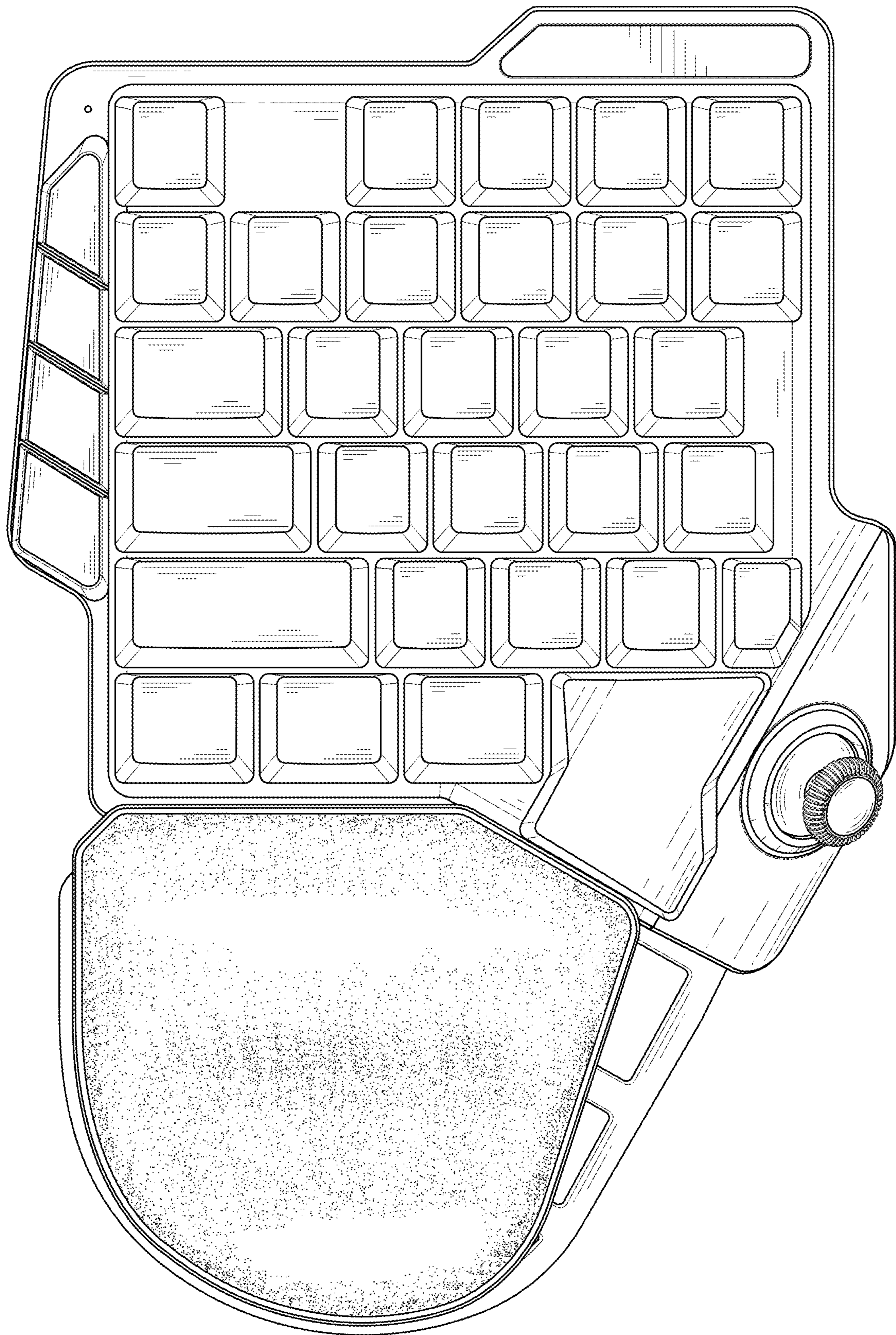


FIG. 6

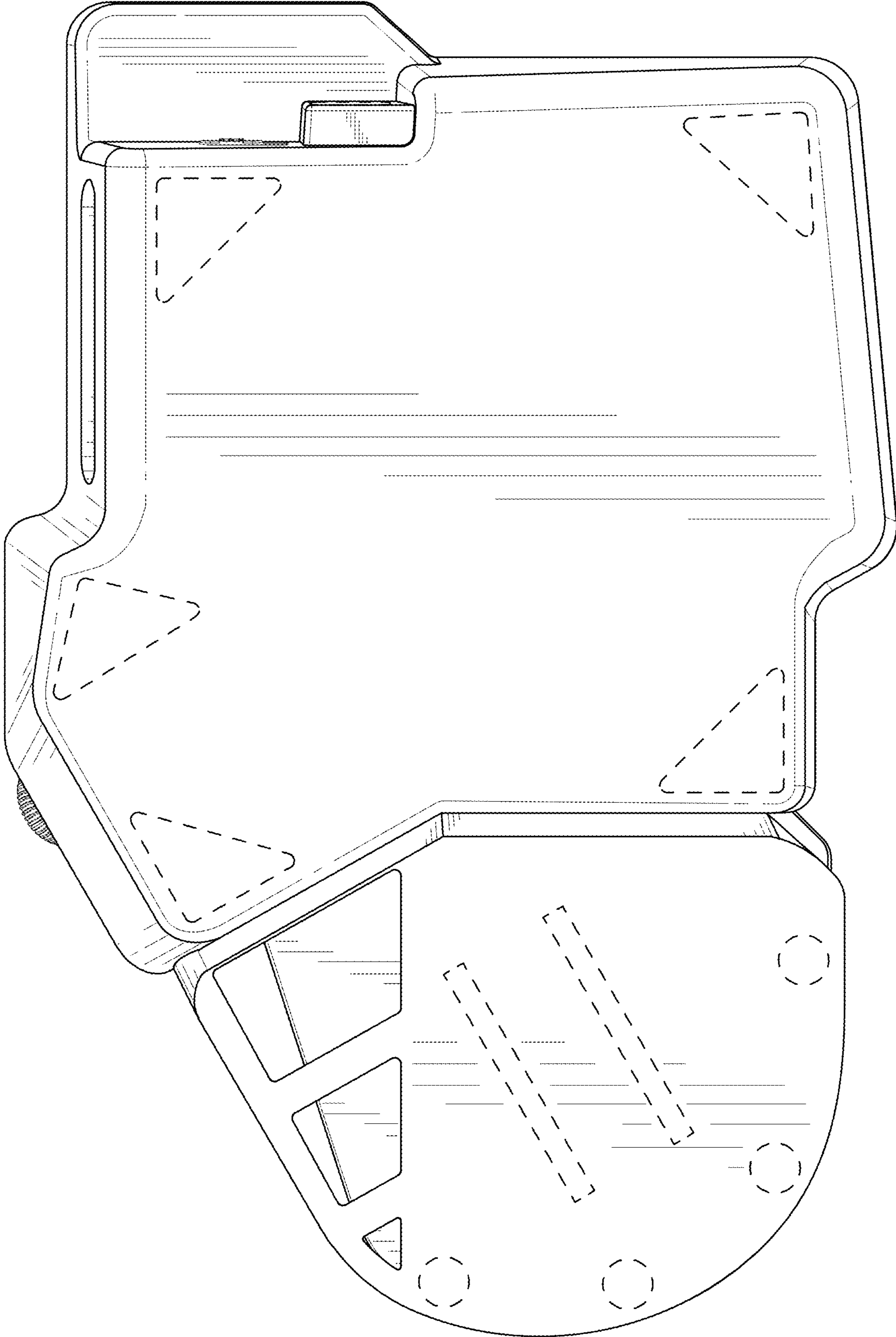


FIG. 7