



US00D967820S

(12) **United States Design Patent**
Ren

(10) **Patent No.:** **US D967,820 S**

(45) **Date of Patent:** **** Oct. 25, 2022**

(54) **VR HEAD STRAP WITH BATTERY PACK**

(71) Applicant: **Sugu Technology (Shenzhen) Co., Ltd.**, Shenzhen (CN)

(72) Inventor: **Binbin Ren**, Zaoyang (CN)

(**) Term: **15 Years**

(21) Appl. No.: **29/824,358**

(22) Filed: **Jan. 24, 2022**

(51) **LOC (13) Cl.** **14-02**

(52) **U.S. Cl.**
USPC **D14/372**

(58) **Field of Classification Search**
USPC D14/372, 496, 432, 371, 125, 126, 129,
D14/299; D16/300-342; 351/158, 153,
351/144; 345/7-9, 905; 455/344;
348/115, 53, 121, 739

CPC G02B 27/017; G02B 27/0158; G02B
27/0161; G02B 27/0181; G02B 27/0185;
G02B 27/0189

See application file for complete search history.

(56) **References Cited**

U.S. PATENT DOCUMENTS

D761,257 S * 7/2016 Passmore D14/372
D809,517 S * 2/2018 Sakata D14/372

D885,383 S * 5/2020 Chang D14/372
D904,402 S * 12/2020 Marquis D14/372
D916,702 S * 4/2021 Newsom D14/372
D928,151 S 8/2021 Hu
D932,488 S * 10/2021 Huang D14/372
D956,747 S * 7/2022 Huang D14/372

* cited by examiner

Primary Examiner — Austin Murphy

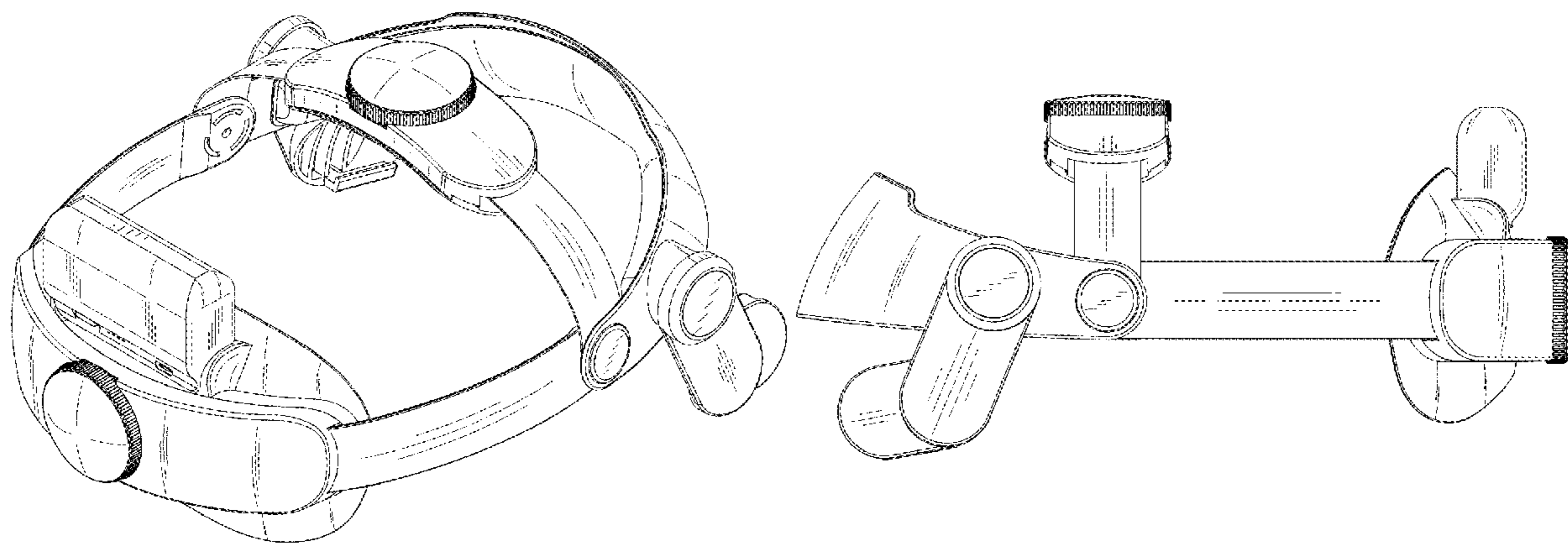
(57) **CLAIM**

The ornamental design for VR head strap with battery pack, substantially as shown and described.

DESCRIPTION

FIG. 1 is a right side perspective view of VR head strap with battery pack, showing my new design;
FIG. 2 is a front view thereof;
FIG. 3 is a rear view thereof;
FIG. 4 is a left side view thereof;
FIG. 5 is a right side view thereof;
FIG. 6 is a top view thereof; and,
FIG. 7 is a bottom view thereof.

1 Claim, 7 Drawing Sheets



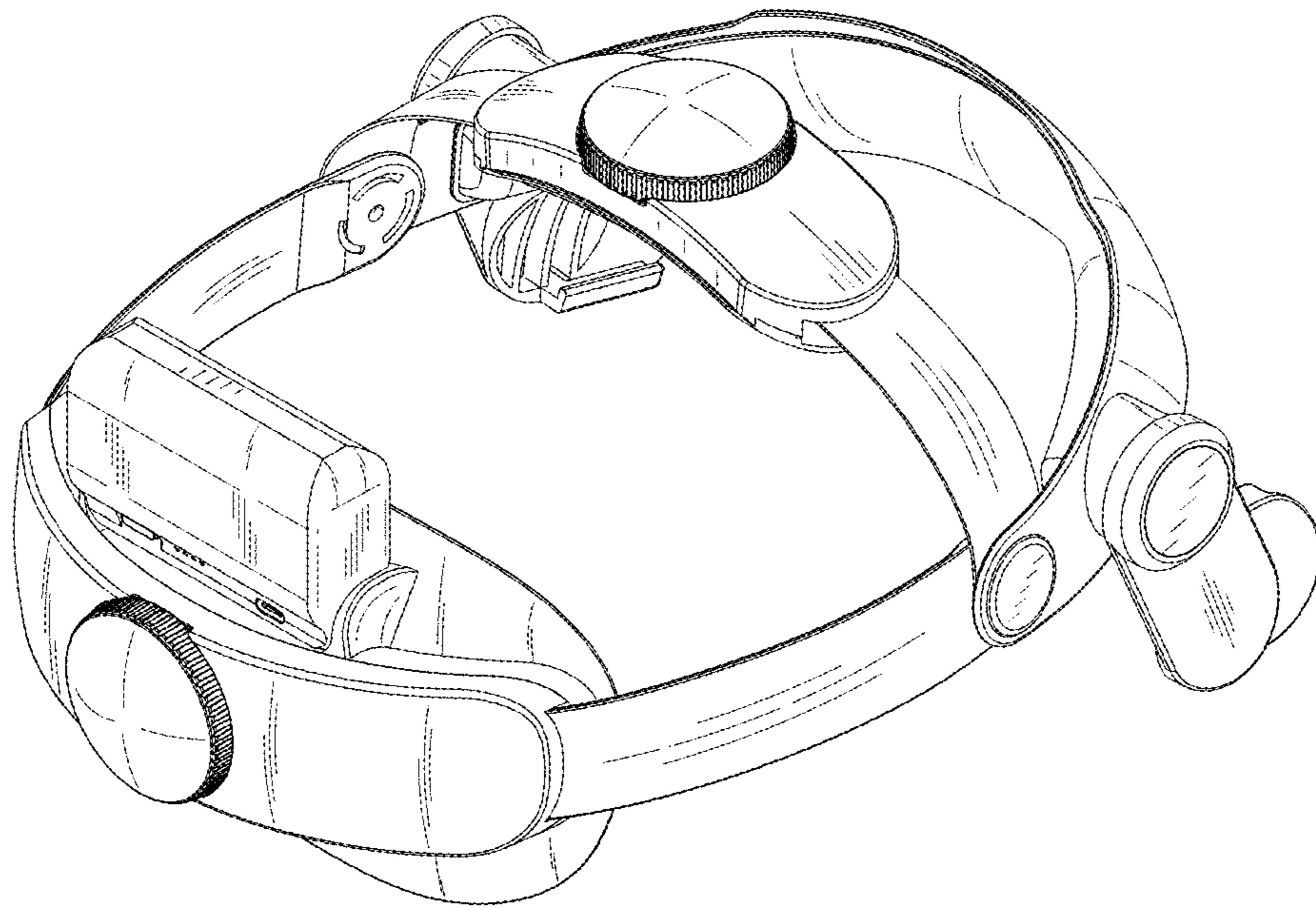


FIG. 1

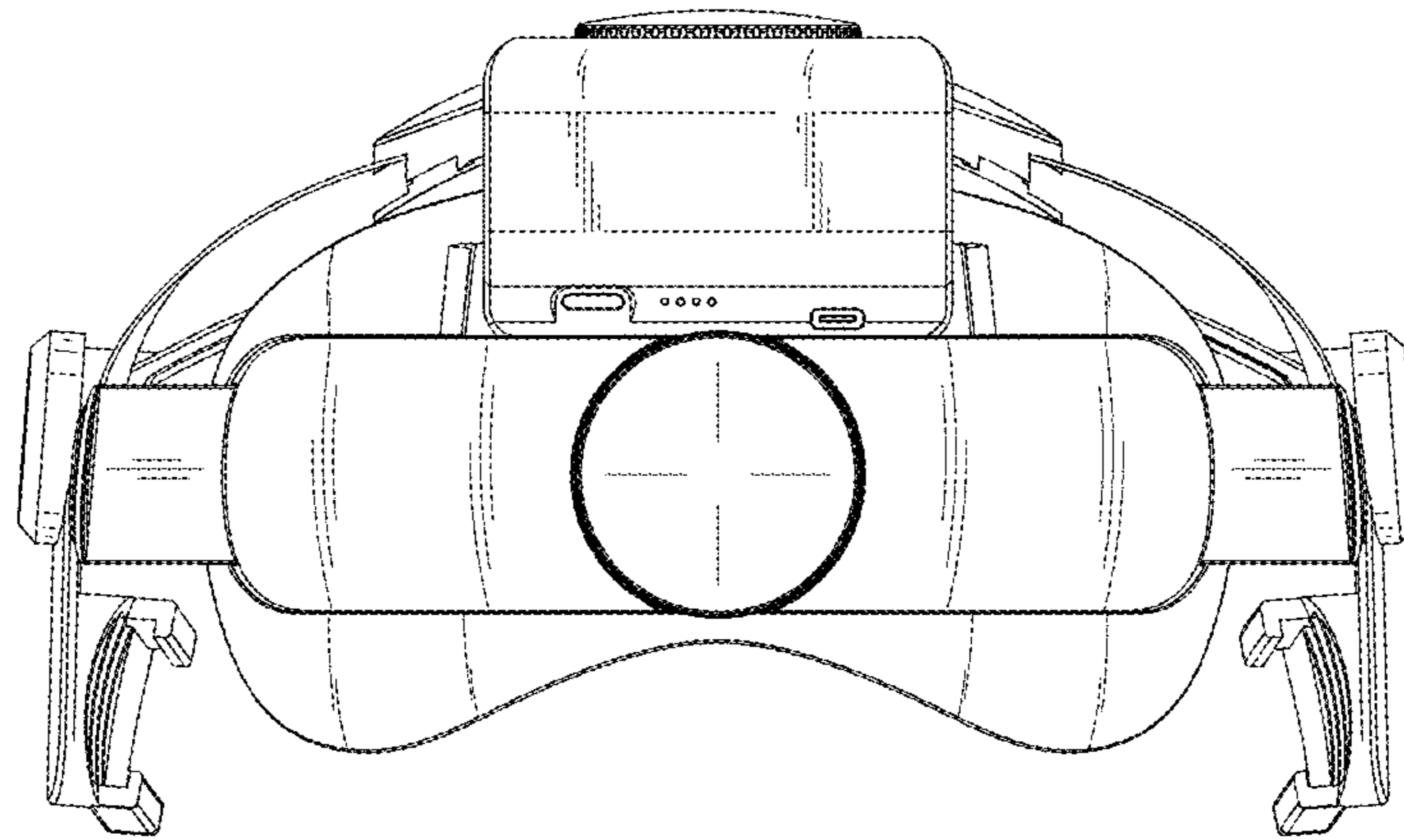


FIG. 2

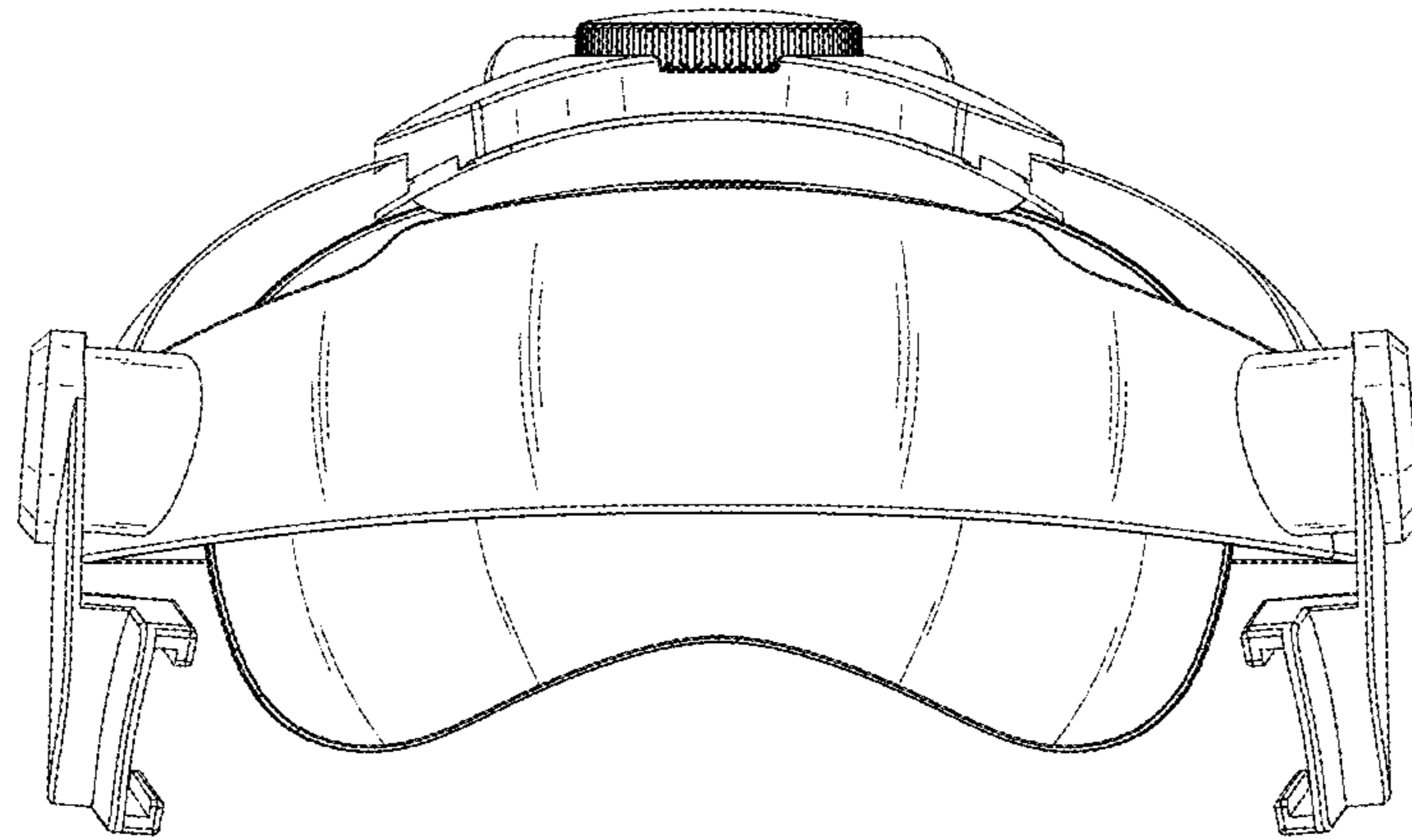


FIG. 3

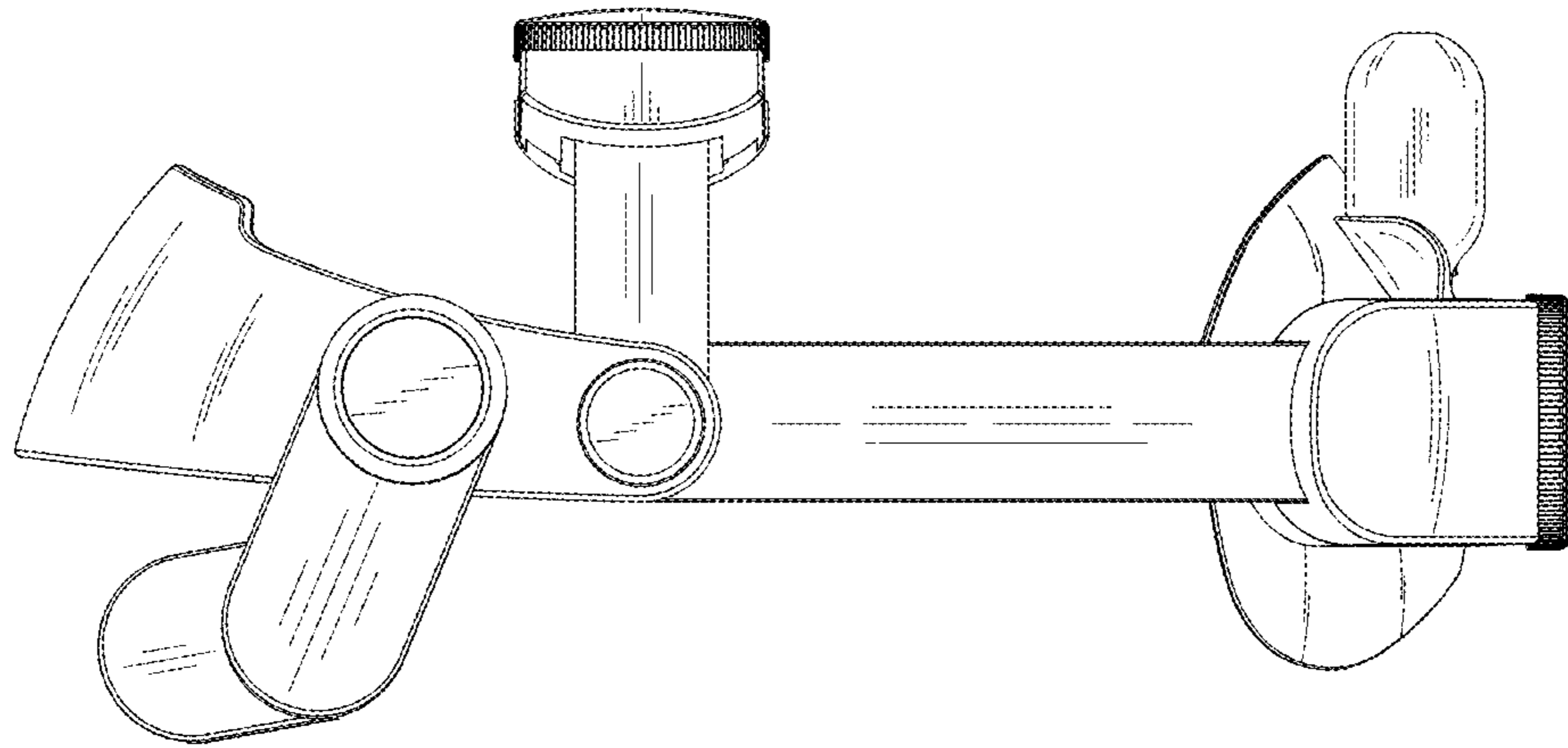


FIG. 4

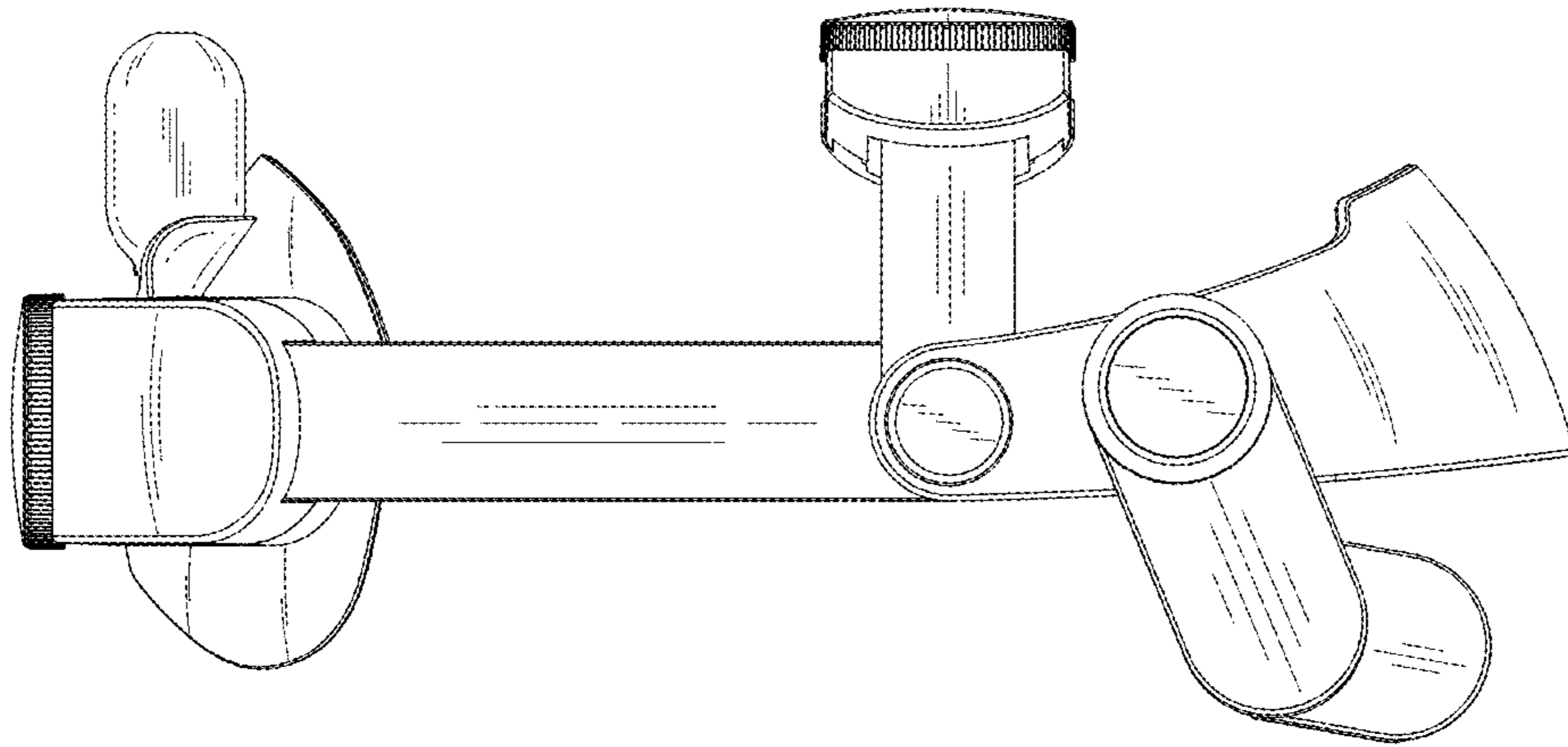


FIG. 5

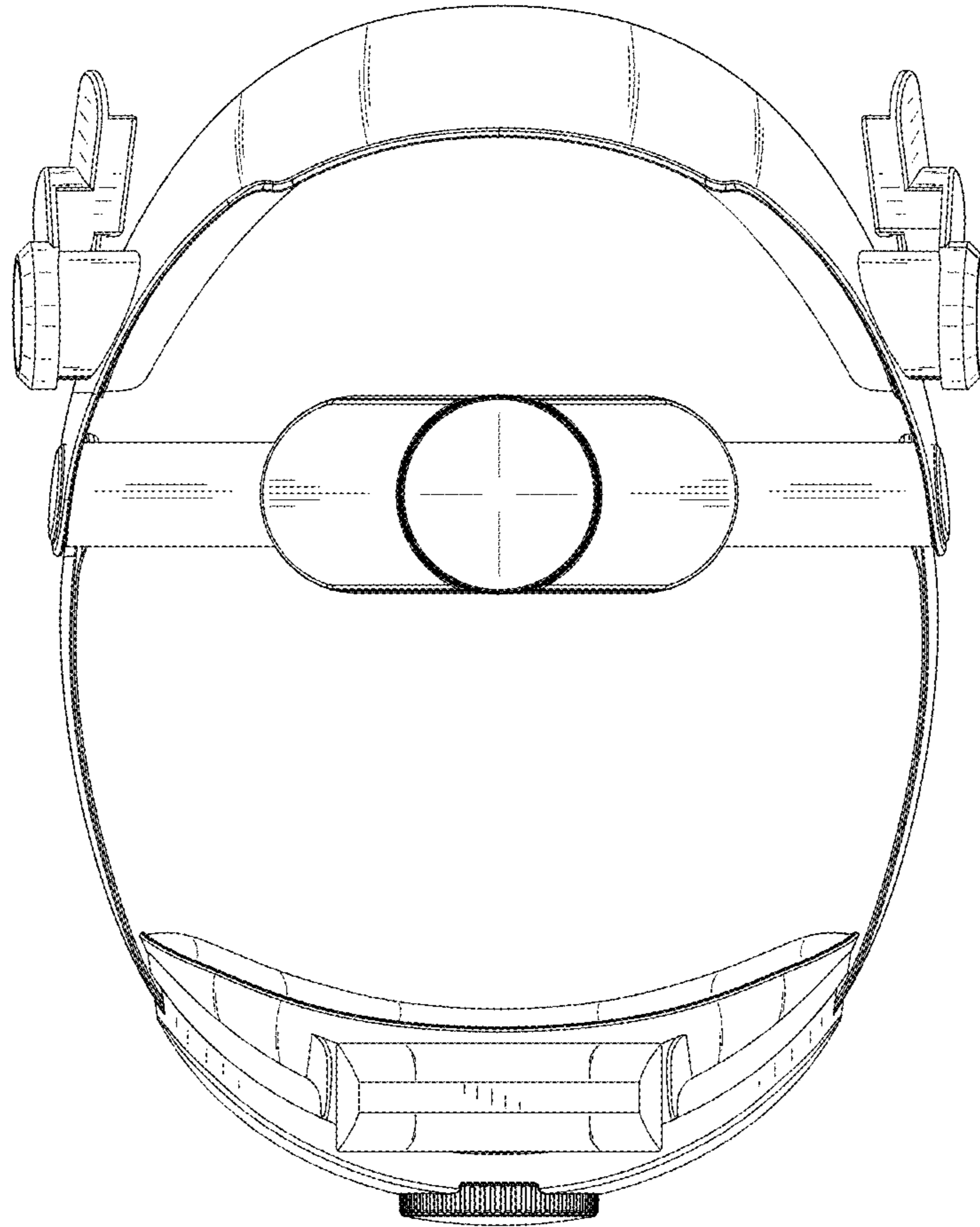


FIG. 6

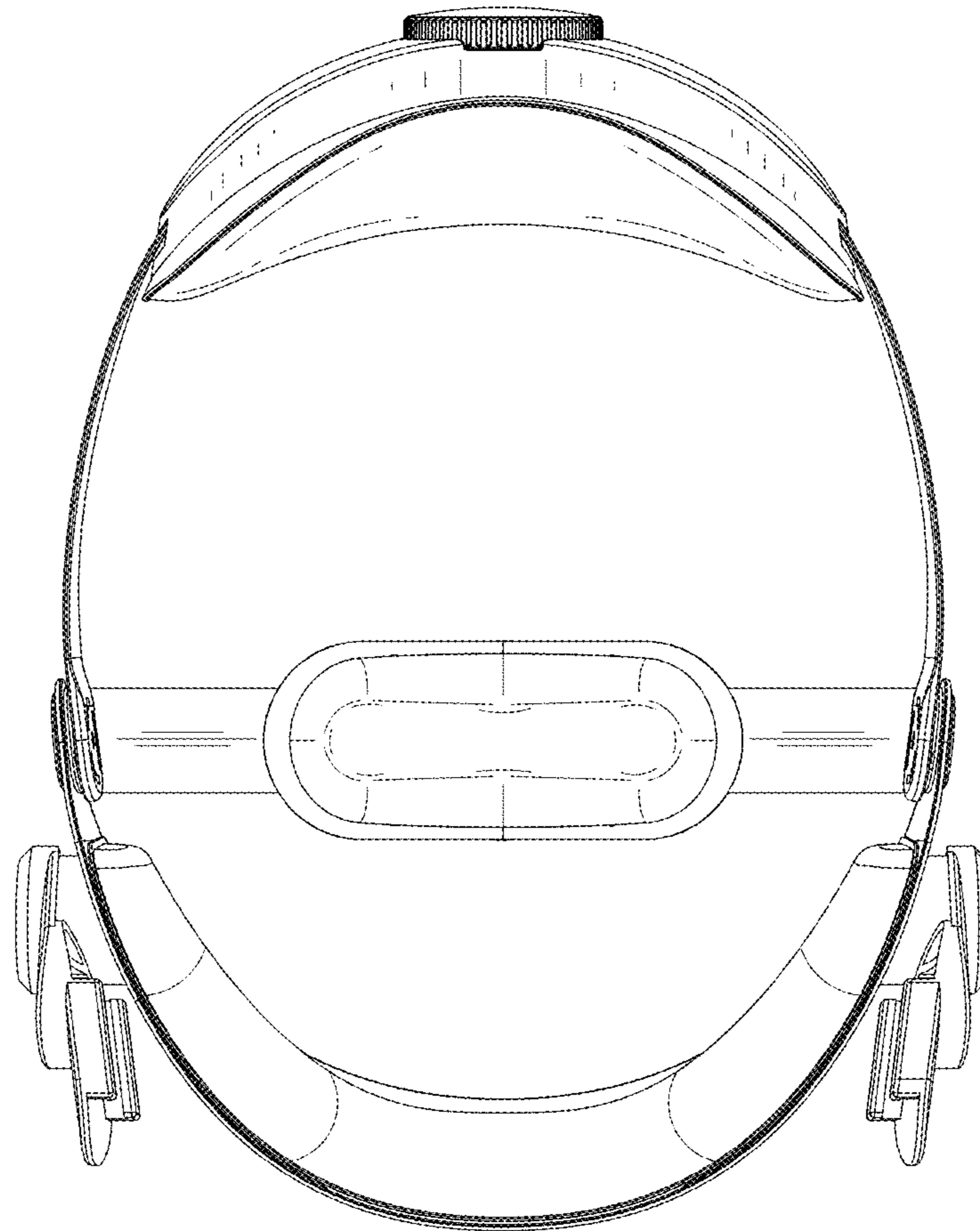


FIG. 7