

US00D967819S

(12) **United States Design Patent** (10) **Patent No.:** **US D967,819 S**
Patterson et al. (45) **Date of Patent:** **** Oct. 25, 2022**

(54) **AUDIOVIDEO APPLIANCE FOR REPRODUCING SOUNDS OR IMAGES**

(71) Applicant: **Lenovo (Beijing) Co., Ltd.**, Beijing (CN)
(72) Inventors: **Samuel Jackson Patterson**, Beijing (CN); **Xuesong Fan**, Beijing (CN)
(73) Assignee: **Lenovo (Beijing) Co., Ltd.**, Beijing (CN)

(**) Term: **15 Years**

(21) Appl. No.: **29/790,058**

(22) Filed: **Nov. 3, 2021**

Related U.S. Application Data

(62) Division of application No. 35/508,578, filed on Jun. 21, 2019 (U.S. filing date under 35 U.S.C. 384), and having an international filing date of Jun. 21, 2019, now Pat. No. Des. 937,831.

(30) **Foreign Application Priority Data**

Dec. 21, 2018 (CN) 201830746693.8

(51) **LOC (13) Cl.** **14-02**

(52) **U.S. Cl.**
USPC **D14/371**

(58) **Field of Classification Search**

USPC D14/314–318, 341–347, 420, 426, 240, D14/129, 130, 496, 137, 138 R, 138 AA, D14/138 AB, 138 AC, 138 AD, 138 C, D14/138 G, 147, 203.1–203.8, 218, 247, D14/250, 371, 372, 248, 388, 389, 374, D14/440
CPC G06F 3/044; G06F 1/1613; G06F 1/1626; G06F 2200/1633; G06F 3/0488; G06F 3/04886; G06F 3/0412; G06F 3/0416; H04B 1/3833
See application file for complete search history.

(56) **References Cited**

U.S. PATENT DOCUMENTS

D570,610 S 6/2008 Chuang
D592,214 S 5/2009 Bradford
D658,175 S 4/2012 Goetzen
D669,075 S * 10/2012 Seo D14/371
D673,952 S 1/2013 Toda
D697,506 S 1/2014 Bianco
D697,910 S 1/2014 Bianco
D710,715 S 8/2014 Bianco

(Continued)

OTHER PUBLICATIONS

First Office Action of the U.S. Appl. No. 35/508,578, dated Apr. 19, 2021.

Primary Examiner — Bao-Yen T Nguyen

(74) *Attorney, Agent, or Firm* — Oppedahl Patent Law Firm LLC

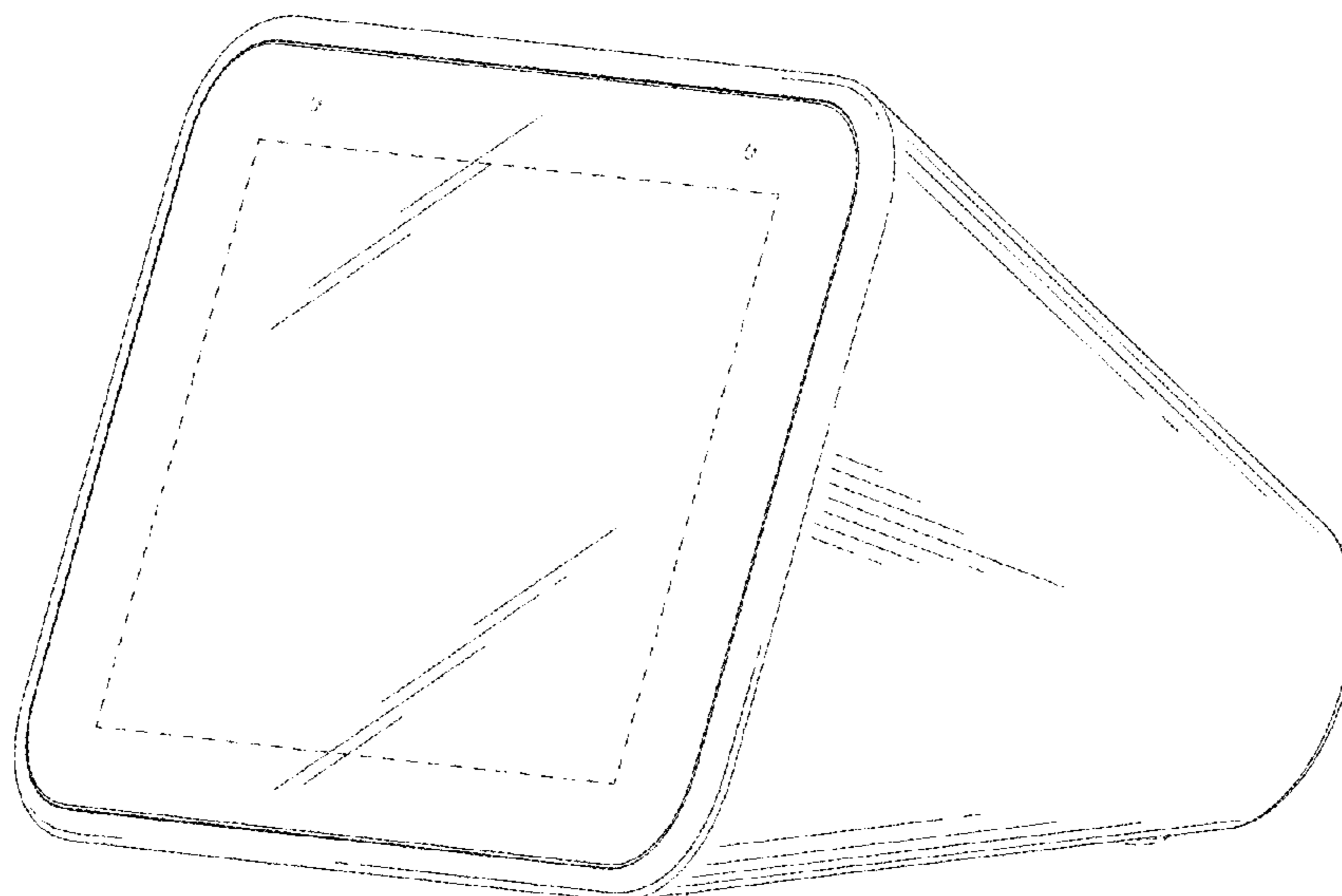
(57) **CLAIM**

The ornamental design for an audiovideo appliance for reproducing sounds or images, as shown and described.

DESCRIPTION

FIG. 1 is a front view of an audiovideo appliance for reproducing sounds or images showing the new design; FIG. 2 is a back view thereof; FIG. 3 is a left side view thereof; FIG. 4 is a right side view thereof; FIG. 5 is a top view thereof; FIG. 6 is a bottom view thereof; FIG. 7 is a front, right side perspective view thereof; and, FIG. 8 is a back, left side perspective view thereof. The broken lines shown in the drawings illustrate portions of the audiovideo appliance for reproducing sounds or images that form no part of the claimed design.

1 Claim, 8 Drawing Sheets



(56)

References Cited

U.S. PATENT DOCUMENTS

D734,857 S *	7/2015	Weichert	D24/186
D762,644 S *	8/2016	Maffetone	D14/371
D789,362 S	6/2017	Eljas	
D804,473 S	12/2017	Moon	
D806,066 S	12/2017	McWilliam et al.	
D839,264 S	1/2019	Nagano et al.	
D841,644 S	2/2019	McWilliam et al.	
D873,815 S	1/2020	McWilliam et al.	
D873,823 S	1/2020	Kurita	
D877,146 S	3/2020	Turgel et al.	
D907,637 S	1/2021	Han et al.	
D912,670 S	3/2021	Etgar et al.	
D920,142 S *	5/2021	Xu	D10/65
2009/0178314 A1	7/2009	Nguyen	

* cited by examiner

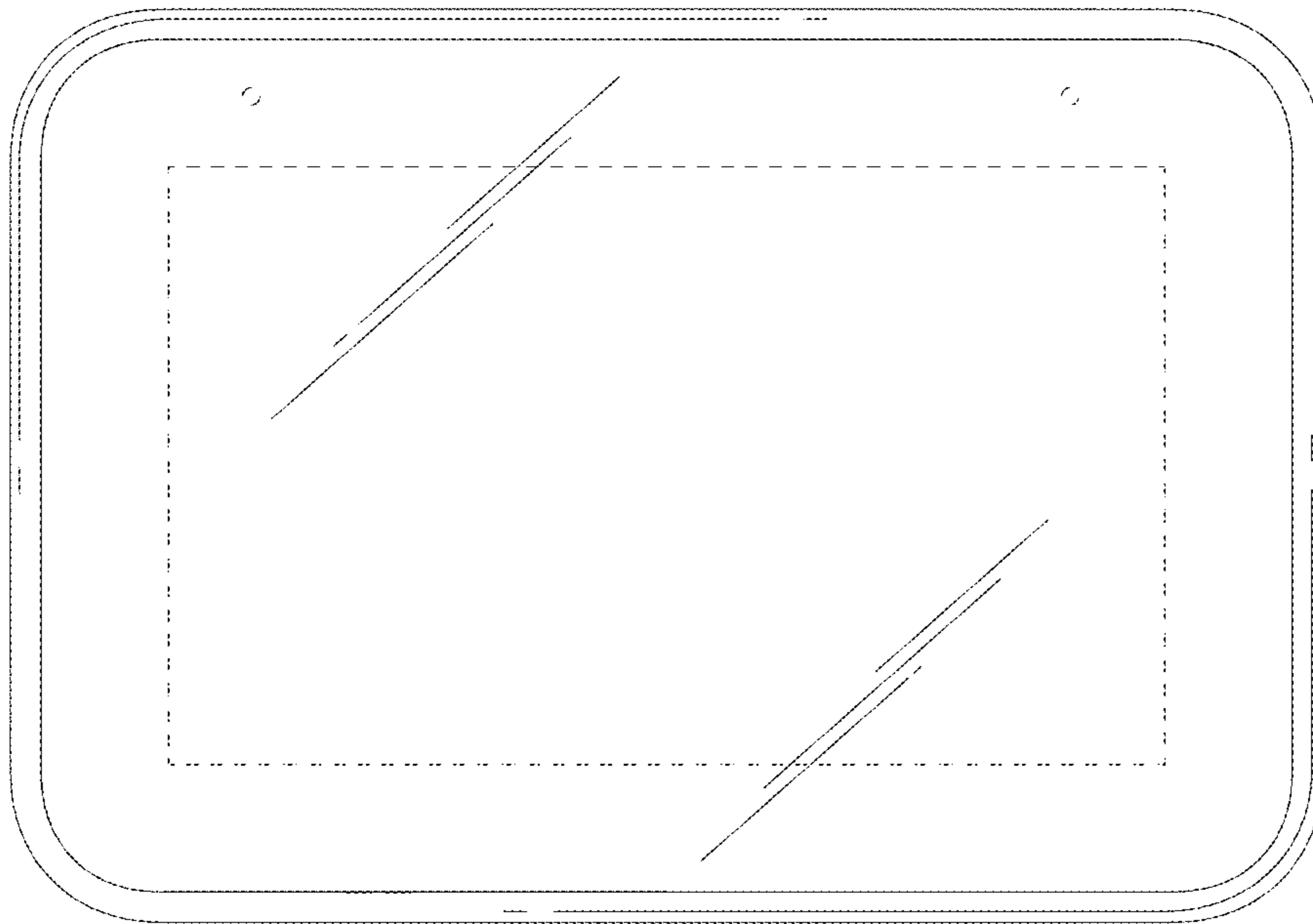


FIG. 1

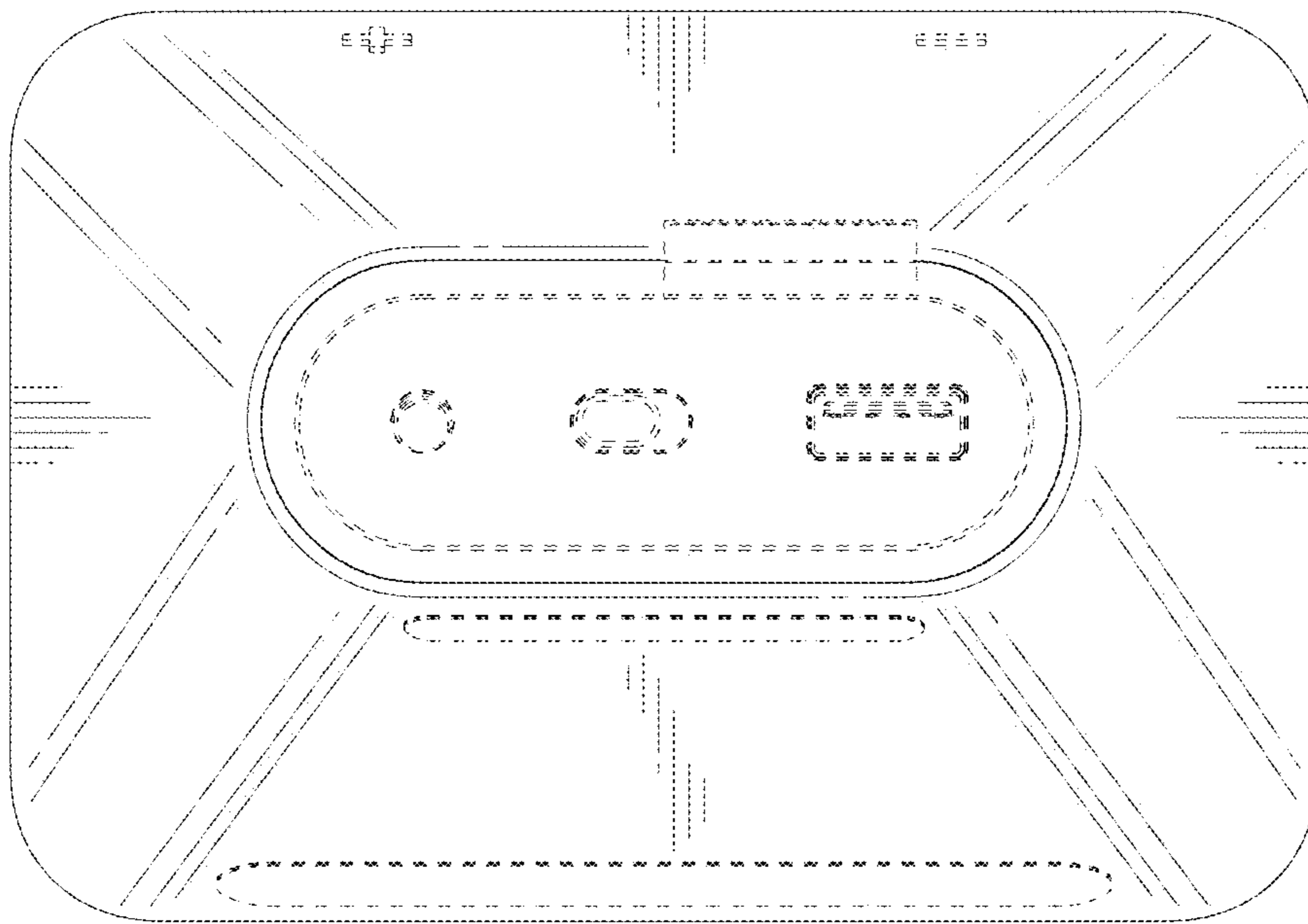


FIG. 2

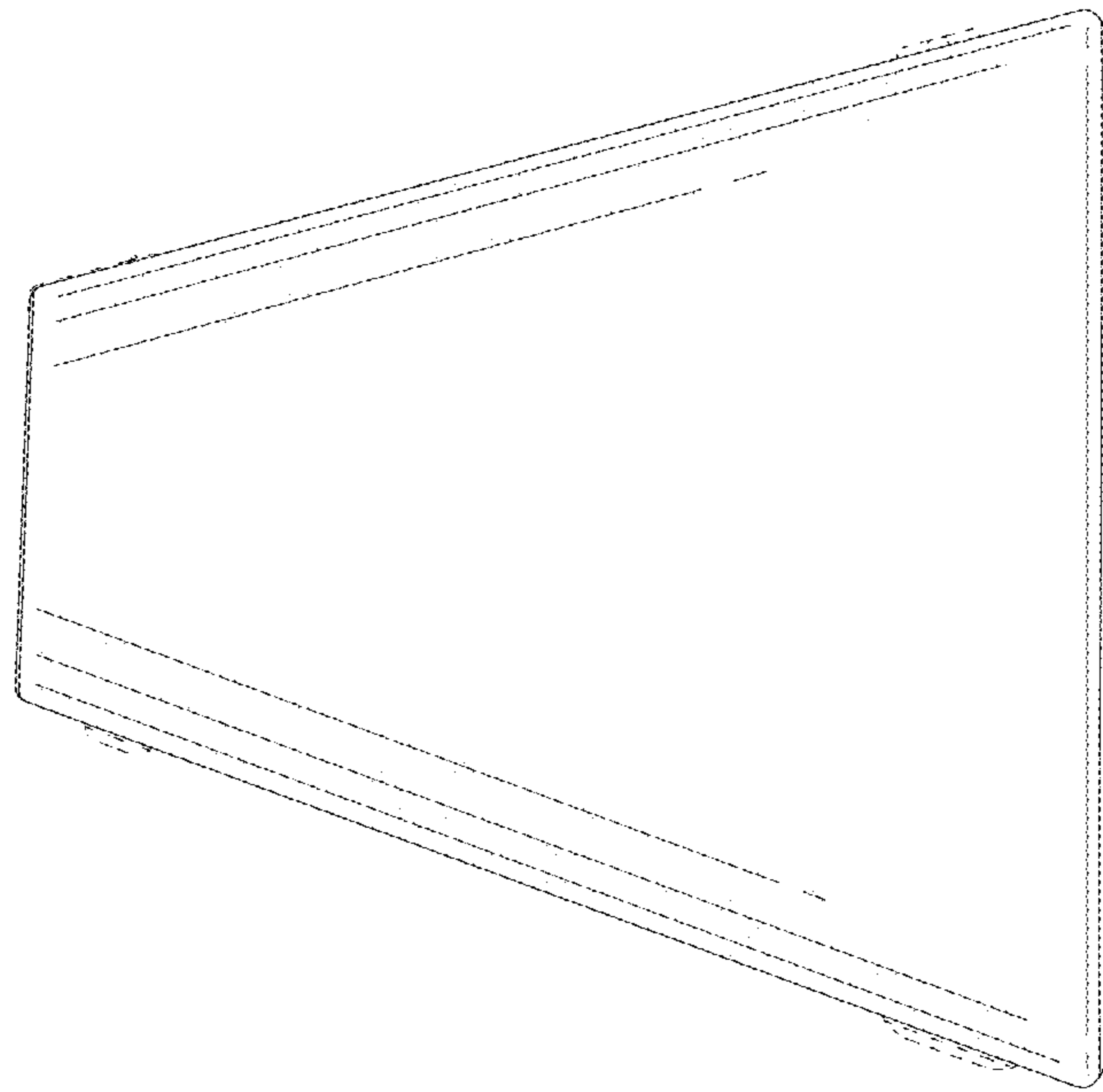


FIG. 3

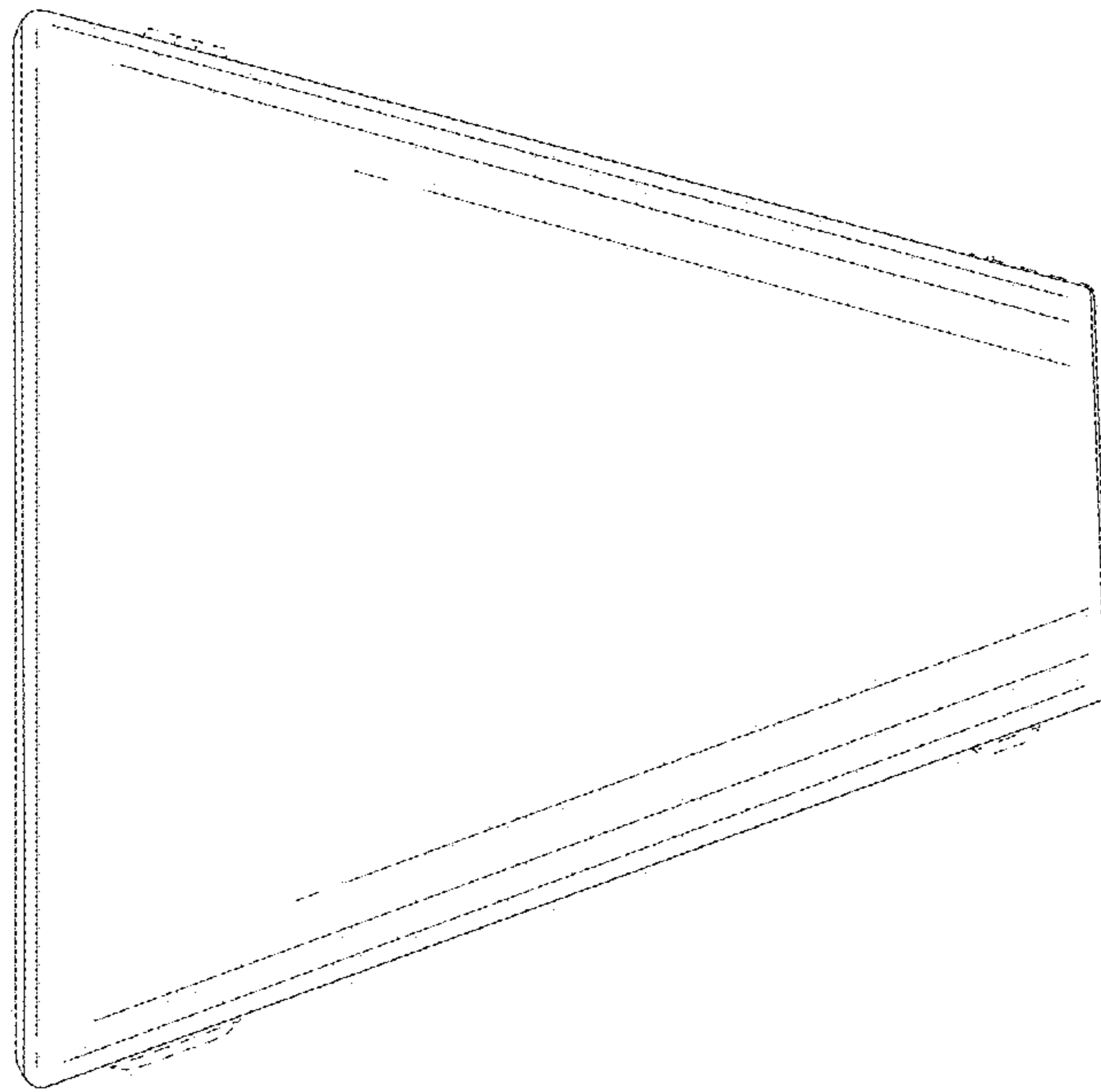


FIG. 4

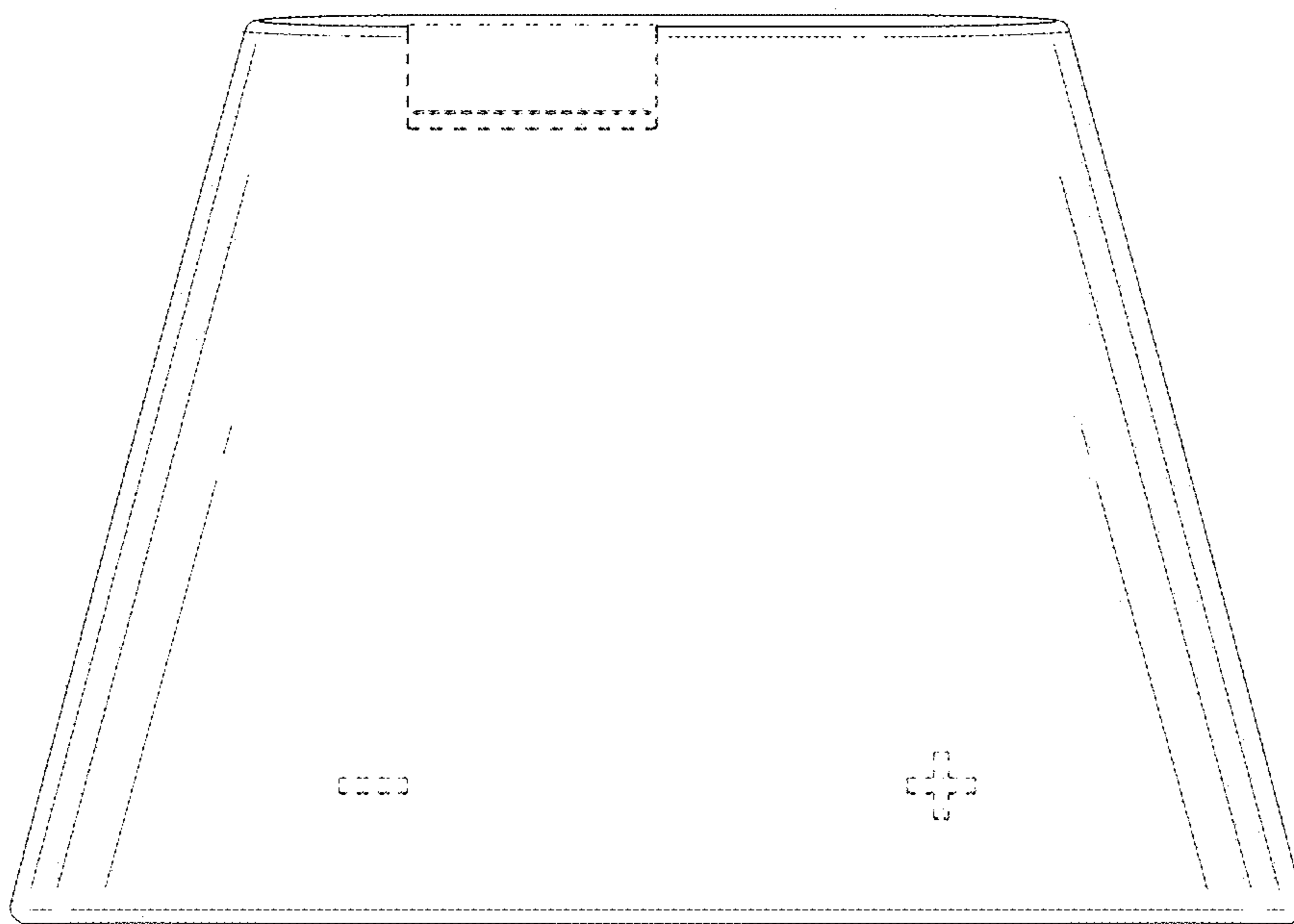


FIG. 5

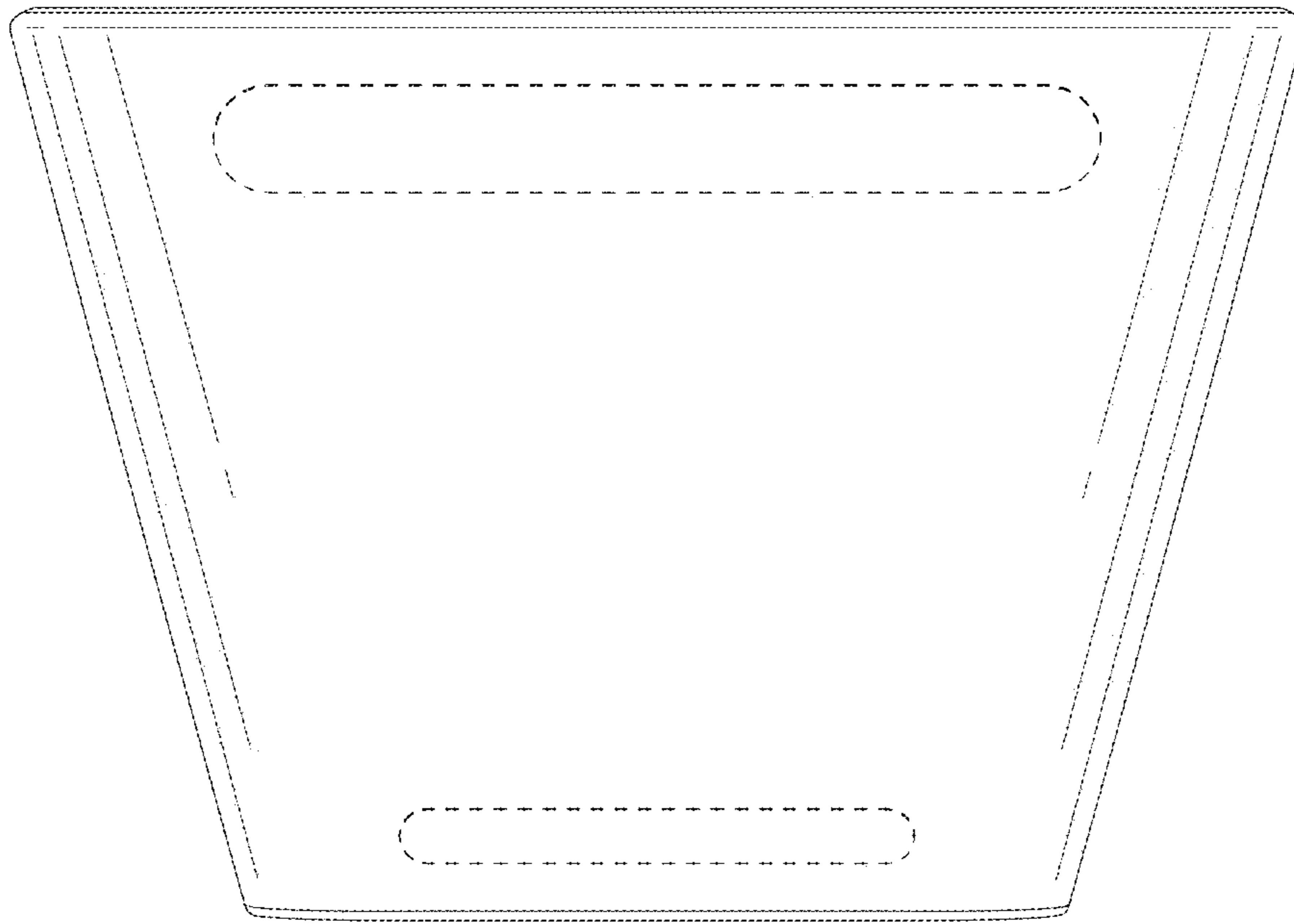


FIG. 6

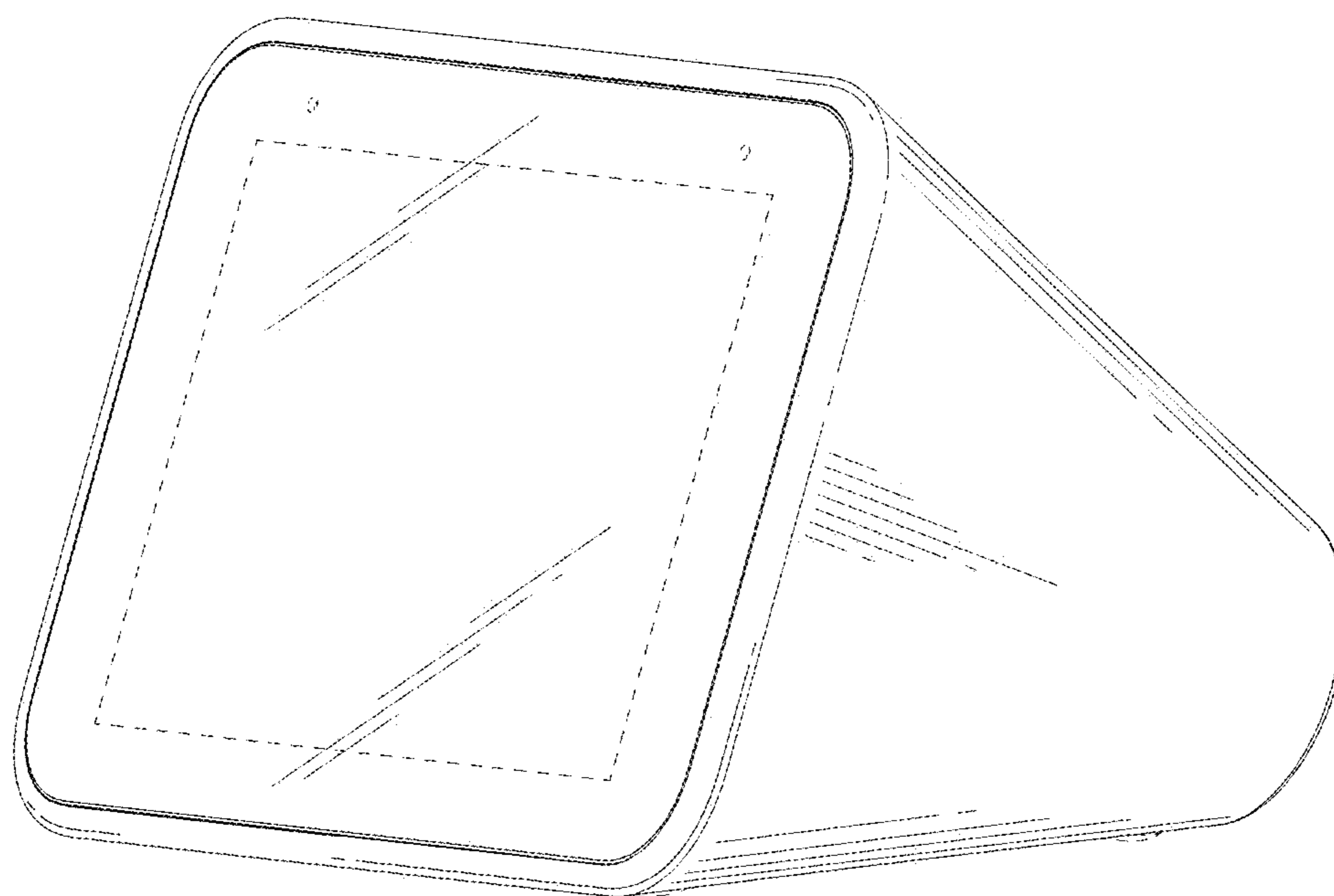


FIG. 7

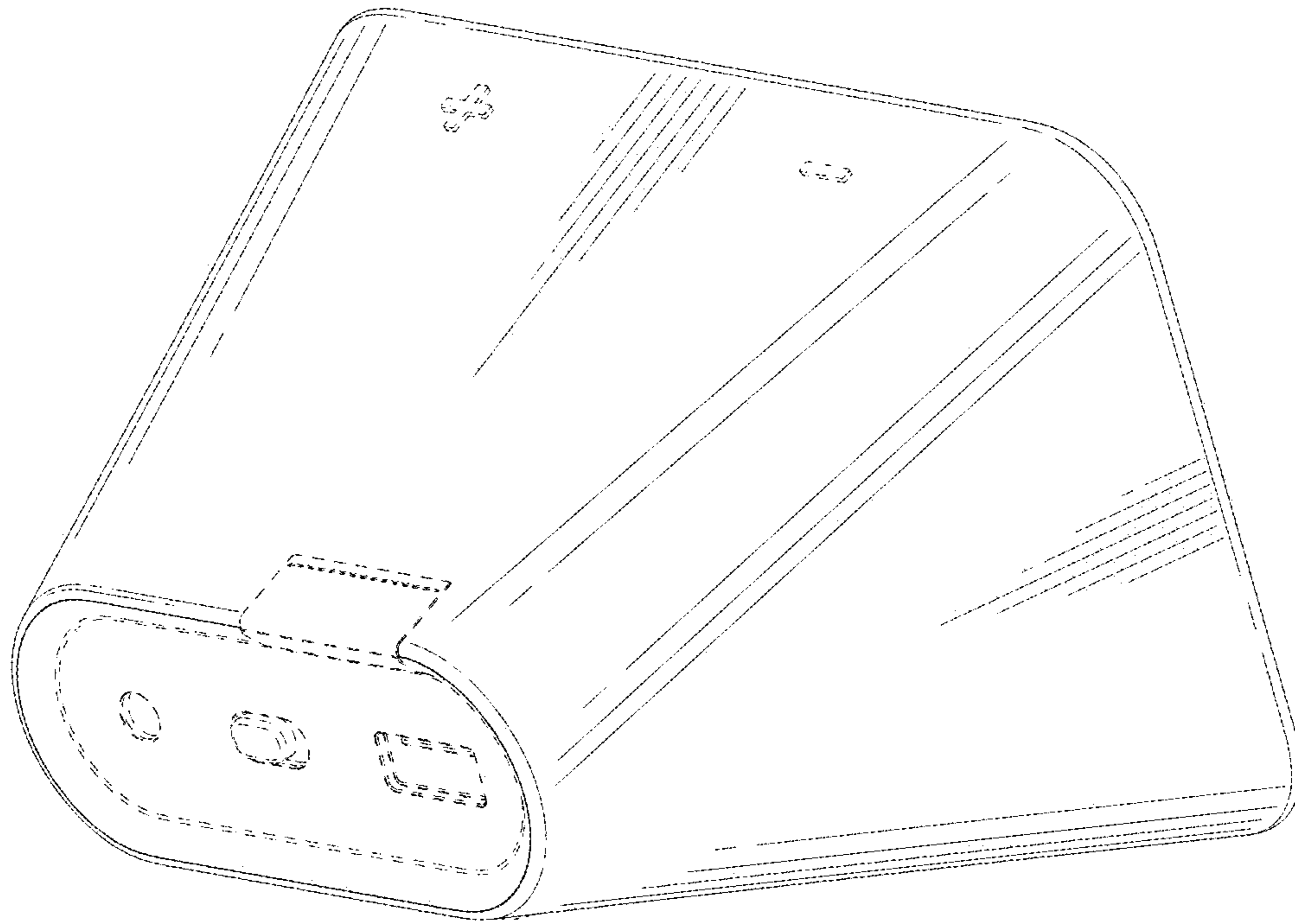


FIG. 8