



US00D967816S

(12) **United States Design Patent**
Akana et al.

(10) **Patent No.:** **US D967,816 S**

(45) **Date of Patent:** **** Oct. 25, 2022**

(54) **ELECTRONIC DEVICE**

(71) Applicant: **Apple Inc.**, Cupertino, CA (US)

(72) Inventors: **Jody Akana**, San Francisco, CA (US);
Bartley K. Andre, Palo Alto, CA (US);
Jeremy Bataillou, San Francisco, CA (US);
Daniel J. Coster, San Francisco, CA (US);
Daniele De Iuliis, San Francisco, CA (US);
M. Evans Hankey, San Francisco, CA (US);
Julian Hoenig, San Francisco, CA (US);
Richard P. Howarth, San Francisco, CA (US);
Jonathan P. Ive, San Francisco, CA (US);
Duncan Robert Kerr, San Francisco, CA (US);
Shin Nishibori, Kailua, HI (US);
Matthew Dean Rohrbach, San Francisco, CA (US);
Peter Russell-Clarke, San Francisco, CA (US);
Mikael Silvano, San Francisco, CA (US);
Christopher J. Stringer, Woodside, CA (US);
Eugene Antony Whang, San Francisco, CA (US);
Rico Zörkendörfer, San Francisco, CA (US)

(73) Assignee: **Apple Inc.**, Cupertino, CA (US)

(**) Term: **15 Years**

(21) Appl. No.: **29/690,198**

(22) Filed: **May 6, 2019**

Related U.S. Application Data

(63) Continuation of application No. 29/578,567, filed on Sep. 22, 2016, now Pat. No. Des. 847,809, which is a continuation of application No. 29/578,144, filed on Sep. 19, 2016, now Pat. No. Des. 847,131, which is a continuation of application No. 29/471,707, filed on Nov. 4, 2013, now Pat. No. Des. 766,889, which is a continuation of application No. 29/453,552, filed on Apr. 30, 2013, now Pat. No. Des. 692,881, which is

a continuation of application No. 29/431,730, filed on Sep. 11, 2012, now Pat. No. Des. 681,032.

(51) **LOC (13) CI.** **14-02**

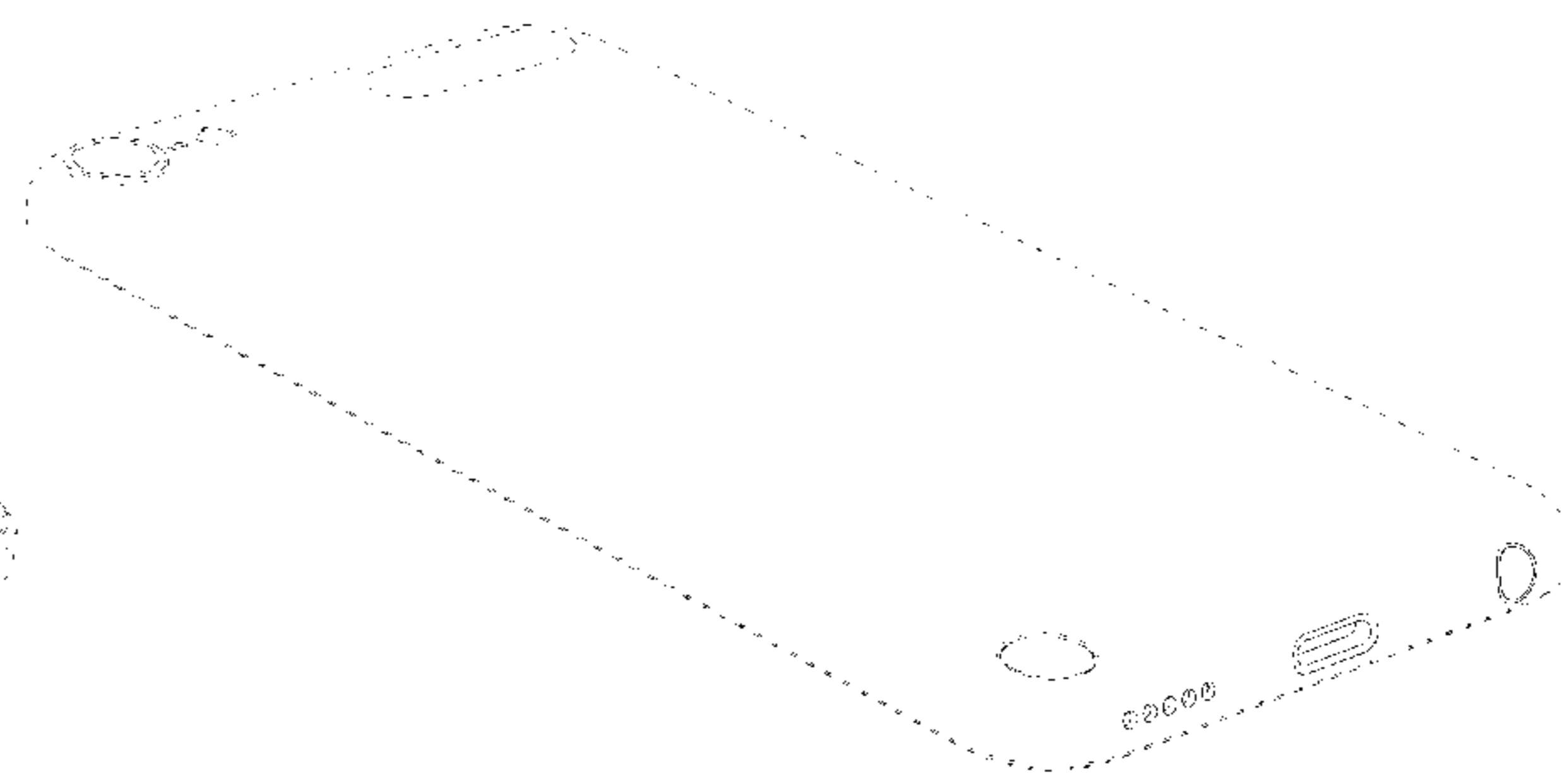
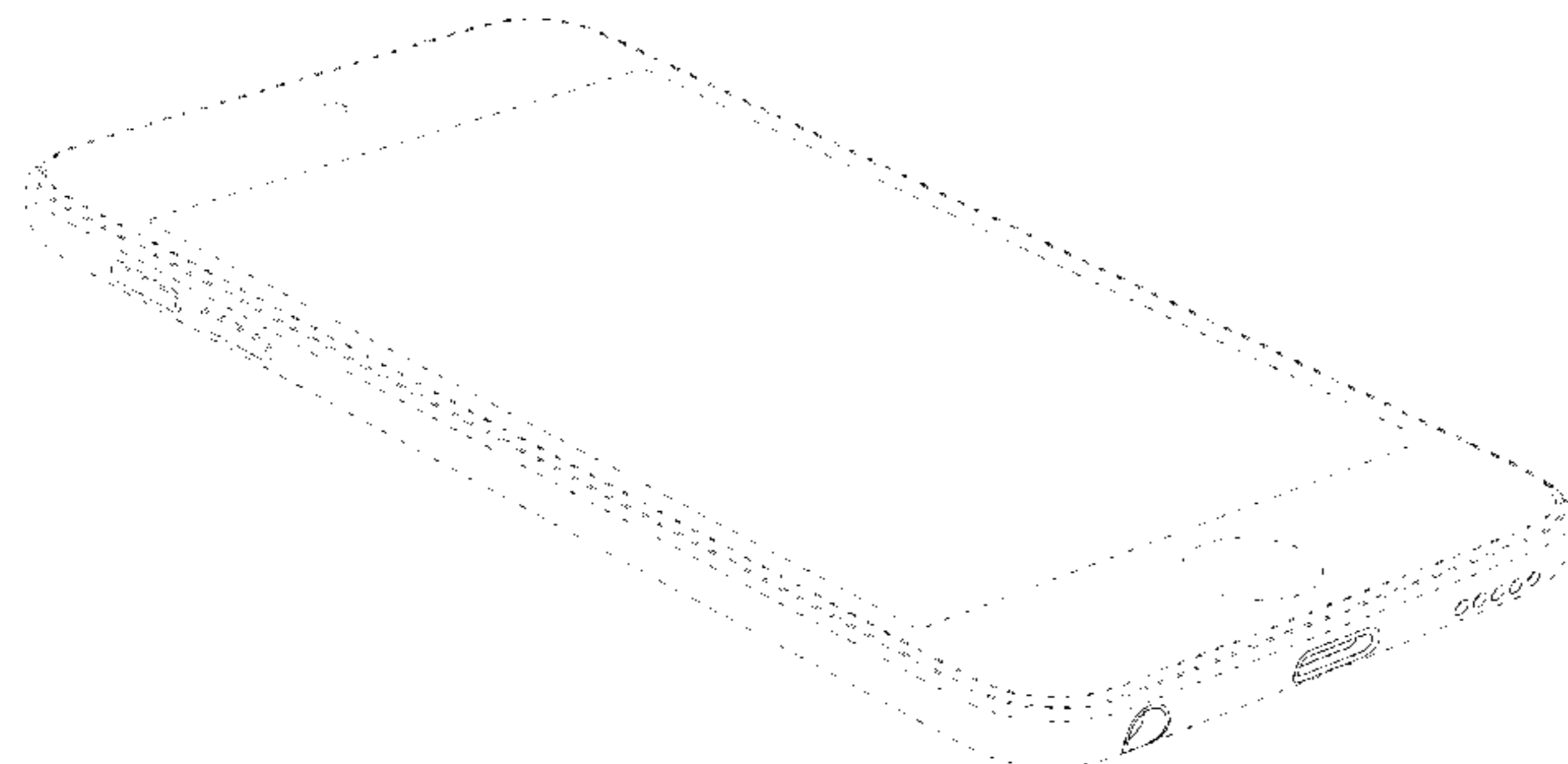
(52) **U.S. CI.**
USPC **D14/341**

(58) **Field of Classification Search**
USPC D14/138 AA, 138 AB, 138 AC, 138 AD, D14/138 C, 138 G, 203.1–203.8, 248, D14/315–318, 341–347, 371, 374, 432, D14/439, 496; D6/308, 310; D10/50, D10/65, 104.1; D18/6–7; D19/26, D19/59–60; D21/324, 329–330, 332
CPC ... H04M 1/0202; H04M 1/0266; H04M 1/725
See application file for complete search history.

(56) **References Cited**

U.S. PATENT DOCUMENTS

2,424,630 A	7/1947	Perez
D262,151 S	12/1981	Sussman
D265,326 S	7/1982	Sugiyama
D270,061 S	8/1983	Ackeret
D270,062 S	8/1983	Ackeret
D270,063 S	8/1983	Ackeret
D270,066 S	8/1983	Ackeret
D278,276 S	4/1985	Bakic
D284,084 S	6/1986	Ferrara, Jr.
D289,873 S	5/1987	Gemmell et al.
D306,583 S	3/1990	Krolopp et al.
D308,055 S	5/1990	Tedham et al.
D317,609 S	6/1991	Wei
D321,215 S	10/1991	Shamis
D332,328 S	1/1993	Lombardi, Jr.
D333,574 S	3/1993	Ackeret
D337,322 S	7/1993	Yang
D337,569 S	7/1993	Kando
D340,701 S	10/1993	Takeuchi
D340,917 S	11/1993	Sakaguchi et al.
D345,346 S	3/1994	Alfonso et al.
D346,589 S	5/1994	Andros
D346,793 S	5/1994	Iino et al.
5,345,543 A	9/1994	Capps et al.
5,398,310 A	3/1995	Tchao et al.
D361,552 S	8/1995	Iino
5,463,725 A	10/1995	Henckel et al.
5,495,566 A	2/1996	Kwatinetz
D395,639 S	6/1998	Ham et al.
D396,215 S	7/1998	Inukai



US D967,816 S

D396,452 S	7/1998	Naruki	D528,561 S	9/2006	Ka-Wei et al.
D408,372 S	4/1999	Ota et al.	D529,045 S	9/2006	Shin
D408,794 S	4/1999	Ogasawara	D530,699 S	10/2006	Lee et al.
D409,185 S	5/1999	Kawashima	D531,610 S	11/2006	Kim et al.
D410,440 S	6/1999	Carnell	D532,766 S	11/2006	Lee
D420,354 S	2/2000	Morales	D532,791 S	11/2006	Kim
D424,535 S	5/2000	Peltola	D533,531 S	12/2006	Hyun et al.
D425,887 S	5/2000	Edwards et al.	D534,143 S	12/2006	Lheem
6,061,063 A	5/2000	Wagner et al.	D534,145 S	12/2006	Lheem
6,067,068 A	5/2000	Hussain	D534,516 S	1/2007	Lheem
D444,465 S	7/2001	Do	D534,517 S	1/2007	Cho et al.
D448,764 S	10/2001	Marsalka et al.	D535,281 S	1/2007	Yang
6,310,610 B1	10/2001	Beaton et al.	D536,329 S	2/2007	Lee
D451,505 S	12/2001	Iseki et al.	D536,691 S	2/2007	Park
D452,687 S	1/2002	Yeh	D536,962 S	2/2007	Tanner
6,337,698 B1	1/2002	Keely, Jr. et al.	D538,822 S	3/2007	Andre et al.
D453,333 S	2/2002	Chen	D541,298 S	4/2007	Andre et al.
D454,348 S	3/2002	Yeh	D541,299 S	4/2007	Andre et al.
D455,433 S	4/2002	Alviar et al.	D541,785 S	5/2007	Hwang et al.
D456,023 S	4/2002	Andre et al.	D543,183 S	5/2007	Cho et al.
D456,805 S	5/2002	Ono et al.	D546,313 S	7/2007	Lheem
D458,252 S	6/2002	Palm et al.	D548,713 S	8/2007	Lee et al.
D461,802 S	8/2002	Tu	D548,732 S	8/2007	Cebe et al.
D466,501 S	12/2002	Hirota	D548,747 S	8/2007	Andre et al.
D467,890 S	12/2002	Lai et al.	D554,098 S	10/2007	Lee
6,501,967 B1	12/2002	Mäkelä et al.	D556,211 S	11/2007	Howard
D469,413 S	1/2003	To et al.	D557,238 S	12/2007	Kim
6,509,907 B1	1/2003	Kuwabara	D557,239 S	12/2007	Lee
D480,372 S	10/2003	Chen et al.	D557,243 S	12/2007	Kim et al.
D483,032 S	12/2003	Bertrand et al.	D557,259 S	12/2007	Hirsch
D483,359 S	12/2003	Lin et al.	7,303,424 B2	12/2007	Tu et al.
D485,265 S	1/2004	Sato et al.	D558,460 S	1/2008	Yu et al.
D486,149 S	2/2004	Kawami et al.	D558,716 S	1/2008	Bae et al.
6,690,387 B2	2/2004	Zimmerman et al.	D558,726 S	1/2008	Wang et al.
D488,468 S	4/2004	Hu	D558,756 S	1/2008	Andre et al.
D488,469 S	4/2004	Batsikas	D558,757 S	1/2008	Andre et al.
D489,062 S	4/2004	Hong	D558,758 S	1/2008	Andre et al.
D489,731 S	5/2004	Huang	D558,792 S *	1/2008	Chigira D14/496
D490,810 S	6/2004	Huang	D559,220 S	1/2008	Lee et al.
D491,156 S	6/2004	Kawakami et al.	D560,192 S	1/2008	Lee et al.
D492,684 S	7/2004	Ozolins et al.	D560,227 S	1/2008	Bennett et al.
D494,188 S	8/2004	Huang	D560,683 S	1/2008	Lee
D495,695 S	9/2004	Yugaya	D560,686 S	1/2008	Kim
D496,645 S	9/2004	Yoo et al.	D561,153 S	2/2008	Hong et al.
6,788,527 B2	9/2004	Doczy et al.	D561,204 S	2/2008	Toh
D497,364 S	10/2004	Ozolins et al.	D561,782 S	2/2008	Kim
D498,754 S	11/2004	Blyth	D562,285 S	2/2008	Lim
D499,423 S	12/2004	Bahroocha et al.	D562,794 S	2/2008	Kim et al.
D500,037 S	12/2004	Ozolins et al.	D563,432 S	3/2008	Kim
D502,173 S	2/2005	Jung et al.	D563,929 S	3/2008	Park
D502,945 S	3/2005	Huang et al.	D565,532 S	4/2008	Arnold
D503,699 S	4/2005	Lee et al.	D565,596 S	4/2008	Kim
D504,889 S	5/2005	Andre et al.	D565,599 S	4/2008	Jang et al.
D505,950 S	6/2005	Summit et al.	D568,309 S	5/2008	Cebe et al.
D507,003 S	7/2005	Pai et al.	D569,830 S	5/2008	Kwak
D509,202 S	9/2005	Lee et al.	D570,320 S	6/2008	Lee et al.
D509,760 S	9/2005	Burrell et al.	D570,346 S	6/2008	Suk et al.
D509,833 S	9/2005	Yang	D570,839 S	6/2008	Hofer et al.
D510,929 S	10/2005	Laverick et al.	D573,143 S	7/2008	Park et al.
D511,342 S	11/2005	Chien	D574,015 S	7/2008	Masui
D511,347 S	11/2005	Naruki	D575,259 S	8/2008	Kim et al.
D514,121 S	1/2006	Johnson	7,409,059 B2	8/2008	Fujisawa
D514,558 S	2/2006	Nagel et al.	D579,905 S	11/2008	Kim et al.
D514,590 S	2/2006	Naruki	D579,930 S	11/2008	Maskatia
D519,116 S	4/2006	Tanaka et al.	D580,387 S	11/2008	Andre et al.
D519,523 S	4/2006	Chiu et al.	D581,922 S	12/2008	Andre et al.
D519,998 S	5/2006	Park	D583,346 S	12/2008	Jung et al.
D520,020 S	5/2006	Senda et al.	D584,738 S	1/2009	Kim et al.
D521,023 S	5/2006	Kim et al.	D585,411 S	1/2009	Eaton
7,042,712 B2	5/2006	Ghosh et al.	D586,800 S	2/2009	Andre et al.
D524,809 S	7/2006	Alcouloumre et al.	D589,979 S	4/2009	Andre et al.
D525,226 S	7/2006	Jang	D593,087 S	5/2009	Andre et al.
D525,620 S	7/2006	Esslinger et al.	D597,067 S *	7/2009	Oh D14/203.7
D525,987 S	8/2006	Kim	D599,736 S	9/2009	Ferber et al.
D526,301 S	8/2006	Shin	D600,241 S *	9/2009	Andre D14/203.7
D526,302 S	8/2006	Kim	D600,690 S	9/2009	Miyaji
D527,015 S	8/2006	Yang	D601,535 S	10/2009	Huang
D527,366 S	8/2006	Lee	D601,558 S	10/2009	Andre et al.
D528,542 S	9/2006	Luminosu et al.	D601,583 S	10/2009	Andre et al.

US D967,816 S

D602,014 S	10/2009	Andre et al.		D654,898 S	2/2012	Kim	
D602,015 S *	10/2009	Andre	D14/203.7	D654,899 S	2/2012	Jung	
D602,016 S *	10/2009	Andre	D14/341	D654,900 S	2/2012	Jung	
D602,017 S *	10/2009	Andre	D14/203.7	D656,918 S	4/2012	Kim et al.	
D602,486 S	10/2009	Andre et al.		D662,484 S	6/2012	Sunderland	
D602,488 S	10/2009	Jiang et al.		D662,489 S	6/2012	Yeo	
D604,297 S	11/2009	Andre et al.		D663,278 S	7/2012	Kim et al.	
D607,428 S	1/2010	Kim et al.		D668,627 S	10/2012	Chung	
7,658,675 B2	2/2010	Hotta		D669,444 S	10/2012	Shin et al.	
7,688,574 B2	3/2010	Zadesky et al.		D669,448 S	10/2012	Hong	
D613,735 S	4/2010	Andre et al.		D673,148 S *	12/2012	Akana	D14/341
D613,736 S	4/2010	Andre et al.		D675,202 S *	1/2013	Andre	D14/341
7,697,281 B2 *	4/2010	Dabov	G06F 1/1656 361/679.55	D675,586 S	2/2013	Choi	
				D675,588 S	2/2013	Park	
D615,083 S *	5/2010	Andre	D14/341	D675,612 S *	2/2013	Andre	D14/341
D615,945 S	5/2010	Kim et al.		D676,403 S	2/2013	Sung	
D617,792 S *	6/2010	Andre	D14/341	D676,459 S	2/2013	Hofer et al.	
D619,555 S	7/2010	Yang et al.		D680,109 S *	4/2013	Akana	D14/341
D620,004 S *	7/2010	Andre	D14/341	D681,032 S *	4/2013	Akana	D14/341
D621,825 S	8/2010	Andre et al.		D684,571 S	6/2013	Akana et al.	
D622,718 S	8/2010	Andre et al.		D692,881 S *	11/2013	Akana	D14/341
D622,719 S	8/2010	Andre et al.		D693,341 S *	11/2013	Akana	D14/341
D622,720 S	8/2010	Andre et al.		D699,717 S *	2/2014	Akana	D14/439
D624,072 S *	9/2010	Andre	D14/341	D707,223 S	6/2014	Akana et al.	
D624,536 S	9/2010	Andre et al.		D726,703 S *	4/2015	Akana	D14/250
D624,896 S	10/2010	Park et al.		D730,340 S *	5/2015	Akana	D14/250
D626,937 S	11/2010	Yeo et al.		D730,361 S *	5/2015	Akana	D14/439
D627,343 S	11/2010	Andre et al.		D731,473 S *	6/2015	Akana	D14/250
D627,344 S	11/2010	Chien et al.		D738,371 S *	9/2015	Akana	D14/341
D627,777 S	11/2010	Akana et al.		D743,389 S *	11/2015	Akana	D14/250
D627,778 S	11/2010	Akana et al.		D749,591 S *	2/2016	Akana	D14/439
D629,799 S	12/2010	Andre et al.		D759,008 S *	6/2016	Akana	D14/341
D630,630 S *	1/2011	Andre	D14/341	D766,889 S *	9/2016	Akana	D14/203.7
D633,090 S	2/2011	Andre et al.		D768,637 S *	10/2016	Akana	D14/439
D633,091 S	2/2011	Andre et al.		D771,619 S *	11/2016	Akana	D14/341
D633,092 S *	2/2011	Andre	D14/341	D847,131 S *	4/2019	Akana	D14/341
D633,493 S	3/2011	Akana et al.		D847,132 S *	4/2019	Akana	D14/341
D633,908 S	3/2011	Akana et al.		D847,809 S *	5/2019	Akana	D14/341
D634,319 S	3/2011	Andre et al.		D856,993 S *	8/2019	Akana	D14/250
D634,742 S	3/2011	Andre et al.		D934,858 S *	11/2021	Akana	D14/341
D635,540 S	4/2011	Kim et al.		D941,289 S *	1/2022	Akana	D14/341
D635,952 S	4/2011	Park et al.		2003/0125079 A1	7/2003	Park et al.	
D636,390 S	4/2011	Andre et al.		2003/0125094 A1	7/2003	Hyun et al.	
D636,392 S	4/2011	Akana et al.		2003/0125959 A1	7/2003	Palmquist	
D637,596 S	5/2011	Akana et al.		2003/0184525 A1	10/2003	Tsai	
D638,814 S	5/2011	Sutherland et al.		2004/0021676 A1	2/2004	Chen et al.	
D638,815 S	5/2011	Lee et al.		2004/0041504 A1	3/2004	Ozolins et al.	
D638,835 S	5/2011	Akana et al.		2004/0132499 A1	7/2004	Abe	
D639,261 S	6/2011	Garnham et al.		2004/0155888 A1	8/2004	Padgitt et al.	
D639,763 S	6/2011	Kim et al.		2004/0166907 A1	8/2004	Yajima	
D640,219 S	6/2011	Sutherland et al.		2004/0223004 A1	11/2004	Lincke et al.	
D640,220 S	6/2011	Shyu et al.		2004/0242288 A1	12/2004	Balle et al.	
D640,663 S	6/2011	Arnholt et al.		2004/0257334 A1	12/2004	Yajima	
D642,563 S *	8/2011	Akana	D14/341	2005/0009556 A1	1/2005	Hickey et al.	
D644,218 S	8/2011	Akana et al.		2005/0012723 A1	1/2005	Pallakoff	
D645,017 S	9/2011	Kim et al.		2005/0014538 A1	1/2005	Hyun et al.	
D645,435 S	9/2011	Kim et al.		2005/0041385 A1	2/2005	Kikinis et al.	
D645,441 S	9/2011	Choe et al.		2005/0059438 A1	3/2005	Jellicoe	
D645,835 S	9/2011	Lee et al.		2005/0088418 A1	4/2005	Nguyen	
D646,249 S	10/2011	Kim et al.		2005/0127158 A1	6/2005	Figueras et al.	
D646,252 S	10/2011	Kim et al.		2005/0130715 A1	6/2005	Fujisawa	
D648,303 S	11/2011	Park et al.		2005/0195154 A1	9/2005	Robbins et al.	
D648,693 S	11/2011	Kim et al.		2005/0255897 A1	11/2005	Lee et al.	
D649,968 S	12/2011	Li		2006/0025184 A1	2/2006	Cho et al.	
8,081,886 B2	12/2011	Okano		2006/0025218 A1	2/2006	Hotta	
D652,812 S	1/2012	Kim		2006/0094464 A1	5/2006	Kyou et al.	
D652,813 S	1/2012	Song et al.		2006/0111158 A1	5/2006	Hou	
D653,230 S	1/2012	Kim et al.		2006/0111161 A1	5/2006	Cha et al.	
D653,642 S	2/2012	Han		2006/0121852 A1	6/2006	Kim et al.	
D653,645 S	2/2012	Park		2006/0142073 A1	6/2006	Gordecki	
D654,041 S	2/2012	Jung et al.		2006/0166713 A1	7/2006	Yeh et al.	
D654,049 S	2/2012	Chung		2006/0281501 A1 *	12/2006	Zuo	H04M 1/0262 455/575.1
D654,460 S	2/2012	Kim et al.					
D654,461 S	2/2012	Kim et al.		2007/0082718 A1	4/2007	Yoon et al.	
D654,463 S	2/2012	Han		2008/0004083 A1	1/2008	Ohki et al.	
D654,889 S	2/2012	Kim et al.		2008/0004085 A1	1/2008	Jung et al.	
D654,890 S	2/2012	Jung et al.		2009/0245564 A1	10/2009	Mittleman et al.	
D654,891 S	2/2012	Kim et al.		2010/0300909 A1	12/2010	Hung	
D654,894 S	2/2012	Kim		2020/0265204 A1 *	8/2020	Lee	H04M 1/026

US D967,816 S

Page 4

FOREIGN PATENT DOCUMENTS		
AU	315078	7/2007
CA	72548	5/1993
CA	101263	1/2004
CA	167316	* 7/2017
CN	30-0721986	12/2007
CN	300721990	12/2007
CN	300732852	1/2008
CN	300732857	1/2008
CN	300781645	5/2008
CN	300881212	2/2009
CN	300912552	4/2009
CN	300912572	4/2009
EM	RCD	8/2003
	000048061-0001	
EM	RCD	11/2003
	000046198-0001	
EM	RCD	2/2005
	000257621-0004	
EM	RCD	5/2005
	000317490-0001	
EM	RCD	9/2005
	000375191-0001	
EM	RCD	5/2006
	000493721-0002	
EM	RCD	9/2006
	000569157-0005	
EM	RCD	9/2006
	000569157-0007	
EM	RCD	10/2006
	000590831-0001	
EM	RCD	12/2006
	000614565-0001	
EM	RCD	2/2007
	000661103-0001	
EM	RCD	3/2007
	000666789-0001	
EM	RCD	6/2007
	000718770-0007	
EM	RCD	8/2007
	000748280-0001	
EM	RCD	8/2007
	000748280-0006	
EM	RCD	8/2007
	000767959-0001	
EM	RCD	10/2007
	000748314-0001	
EM	RCD	3/2008
	000874466-0012	
EM	RCD	5/2008
	000888920-0018	
EM	RCD	6/2008
	000939731-0001	
EM	RCD	4/2009
	001098149-0001	
EM	RCD	4/2010
	001694712-0001	
ES	D0505712-01	4/2008
FI	4897	7/1980
FR	990052-001	5/1999
GB	1042780	12/1986
GB	2030050	7/1993
GB	2033245	8/1993
GB	2062780	4/1997
GB	3010002	2/2003
GB	3012502	6/2003
GB	3014024	10/2003
GB	3022447	10/2005
IL	53799	* 3/2015
JP	61-69284	4/1986
JP	64-9317	1/1989
JP	000921403	3/1995
JP	0001009317	5/1998
JP	2000-163031	6/2000
JP	D1104685	3/2001
JP	D1124750	10/2001

JP	D1142127	5/2002
JP	D1159881	12/2002
JP	D1178470	7/2003
JP	D1188041	10/2003
JP	D1204221	5/2004
JP	2004-290256	10/2004
JP	D1235888	4/2005
JP	D1241383	6/2005
JP	D1241638	6/2005
JP	D1247215	8/2005
JP	D1250487	9/2005
JP	D1263649	2/2006
JP	D1280315	9/2006
JP	D1285057	10/2006
JP	D1295003	2/2007
JP	D1207560	6/2007
JP	D1302929	6/2007
KR	30-0327126	6/2003
KR	30-0359572	8/2004
KR	30-0360712	9/2004
KR	30-0364027	10/2004
KR	30-0364845	10/2004
KR	30-0367347	11/2004
KR	30-0367787	11/2004
KR	30-0370833	1/2005
KR	30-0376524	3/2005
KR	30-0387059-3	7/2005
KR	30-0387130	7/2005
KR	30-0387648	7/2005
KR	30-0396917	11/2005
KR	30-0398307	11/2005
KR	30-0394921-1	12/2005
KR	30-0416409	6/2006
KR	30-0418422-1	7/2006
KR	30-0418547	7/2006
KR	30-0420200	7/2006
KR	30-0422221	8/2006
KR	30-0424148	9/2006
KR	30-0435318	1/2007
KR	30-0441230	2/2007
KR	30-0452432	6/2007
KR	30-0454592	7/2007
KR	30-0452985-2	8/2007
KR	30-0467088	10/2007
KR	30-0529167	5/2009
KR	30-0532172	6/2009
KR	30-0533504	7/2009
KR	30-0546031	11/2009
RU	00089384	* 7/2014
SE	55044	10/1993
TW	106137	8/2005
TW	D123283	6/2008
TW	D126454	12/2008
TW	D127018	1/2009
TW	D139834	4/2011
TW	D140380	5/2011
TW	D140385	5/2011
TW	172431-0001	* 12/2015
TW	172652-0001	* 12/2015
TW	174114-0001	* 3/2016
TW	185269-0001	* 9/2017
TW	211228-0001	* 5/2021
WO	WO 2000/074240	7/2000
WO	WO 01/88679 A2	11/2001
WO	WO 2004/023272	3/2004

OTHER PUBLICATIONS

Apple unveils fifth-generation iPod touch, Sep. 12, 2012, [retrieved Jun. 2, 2022], Retrieved from Internet, URL: <<https://9to5mac.com/2012/09/12/apple-unveils-fifth-generation-ipod-touch/>> (Year: 2012).*

Hands on with iPod Touch 5th Gen . . . , Sep. 13, 2012, [retrieved Jun. 2, 2022], Retrieved from Internet, URL: <<https://www.anandtech.com/show/6288/hands-on-with-ipod-touch-5th-gen-ipod-nano-7th-gen-and-earpods>> (Year: 2012).*

iPhone 5c is now considered a 'vintage' device, Nov. 3, 2020, [retrieved Jun. 2, 2022], Retrieved from Internet, URL: <<https://>

- 9to5mac.com/2020/11/03/iphone-5c-is-now-considered-a-vintage-device-with-limited-support/> (Year: 2020).*
- iPod Touch (5th Generation), Oct. 12, 2012, [retrieved Jun. 2, 2022], Retrieved from Internet, URL: <<https://www.mobiletechreview.com/iPod/iPod-Touch-fifth-gen.htm>> (Year: 2012).*
- The Rewind: iPod touch 7th-gen . . . , Feb. 26, 2020, [retrieved Jun. 2, 2022], Retrieved from Internet, URL: <<https://9to5mac.com/2020/02/26/the-rewind-ipod-touch-7th-gen-a-legitimate-apple-arcade-portable-gaming-machine/>> (Year: 2020).*
- “A Day in the Life of InfoLink,” Stanford University Libraries, published May 1, 2003.
- “The Oracle: The Personal Computer of the Year 2000,” Stanford University Libraries.
- “The Organizer: The Personal Computer of the Year 2000,” Stanford University Libraries.
- “Toshiba Dynapad T100X Pen Computer,” product available in 1993, 2 pages.
- ABDI, “Five 1 GB Flash MP3 Players,” Tomsguide.com, (<http://www.tomsguide.com/us/five-lgb-flash-mp3-players,review-722-3.html>), published May 30, 2006, 4 pages.
- Aliexpress.com, “WACOM PL-500 15" LCD Tablet Mint,” (<http://www.aliexpress.com/product-fm/430172068-WACOM-PL-500-15-LCD-Tablet-Mint-Worldwide-Free-Shipping-wholesalers.html>), accessed Nov. 14, 2011, 3 pages.
- Amazon, “Developing Tablet PC Applications—(Charles River Media Programming),” (<http://www.amazon.co.uk/Developing-Tablet-Applications-Charles-Programming/dp/1584502525>), retrieved Jul. 20, 2011, 4 pages.
- Amazon.com, “Digitalway MPIO FL100 128 MB MP3 Player” (<http://www.amazon.com/Digitalway-MPIO-FL100-128-Player/dp/B00008V6NI>), accessed Nov. 17, 2011, 7 pages.
- Amazon.com, “Whirlpool Gold : GH7208XRS 2.0 cu. ft. Velos Speedcook Over the Range Microwave Oven,” (<http://www.amazon.com/Whirlpool-Gold-GH7208XRS-Speedcook-Microwave/dp/B000ZIPHM8>), accessed May 23, 2012, 5 pages.
- AndroidTabletFanatic.com “16 Old-Skool Tablets Rocking it Before the iPad,” (<http://www.androidtabletfanatic.com/android-tablet-news/16-old-skool-tablets-rocking-it-before-the-ipad/>), published May 16, 2011, 10 pages.
- Apple Inc., “Apple Introduces the U2 iPod,” (<http://www.apple.com/pr/library/2004/10/26Apple-Introduces-the-U2-iPod.html>), published Oct. 26, 2004, 2 pages.
- Association for Computing Machinery, The Open Video Project, “ACM CHI 1995—The Tablet Newspaper: A vision for the Future,” (<http://www.open-video.org/details.php?videoid=8315&surrogate=storyboard>), 3 pages (1994).
- Aumente, J., American Journalism Review, “Panel Vision,” (<http://www.ajr.org/Article.asp?id=1257>), published Oct. 1994, 7 pages.
- Blandford, “Nokia N92 Preview,” (http://www.allaboutsymbian.com/features/item/Nokia_N92_Preview.php), published Nov. 23, 2005, 10 pages.
- Blickenstorfer, C., PenComputing Magazine, “Tablet PCs: HP Compaq Tablet PC TC1000,” (http://pencomputing.com/frames/tpc_compaq.html), 3 pages (Dec. 2002).
- Blickenstorfer, C., PenComputing Magazine, “Tablet PCs: Motion Computing M1200,” (http://pencomputing.com/frames/tpc_motion1200.html), 3 pages (Dec. 2002).
- Blickenstorfer, C., PenComputing Magazine, “Tablet PCs: ViewSonic V1100,” (http://pencomputing.com/frames/tpc_viewsonic.html), 3 pages (Dec. 2002).
- Block, “Olympus @ CES Hands-on with the m:robe MR-500i and MR-100,” Engadget.com, (<http://www.engadget.com/2005/01/10/olympus-ces-hands-on-with-the-m-robe-mr-500i-and-mr-100>), published Jan. 10, 2005, 3 pages.
- Cell Phones.About.com, “More pictures of the LG KG800,” (http://cellphones.about.com/library/bl-pi-lg_kg800.htm), accessed Feb. 13, 2012, 1 page.
- Chi-Athenaeum, “Good Design 2003, An International Industrial and Graphic Design Competition,” (<http://www.chi-athenaeum.org/gdesign/winners03.htm>), retrieved Sep. 23, 2011, 7 pages.
- Chip Online, “VIA: Zwitter-PC für Schöngesteir,” (http://www.chip.de/news/VIA-Zwitter-PC-fuer-Schoengeister_34204096.html), Published May 8, 2002, 2 pages.
- Clarke, “Newspad by Authur C. Clarke from 2001: A Space Odyssey,” (<http://www.technovelgy.com/ct/content.asp?Bnum=529>), published 1968, 3 pages.
- Computex.biz, “Tatung Tablet PC,” (http://www.computex.biz/tatung/Default.aspx?pagetype=ProductDetail&pdt_id=36&cid=3...), accessed Nov. 4, 2011, 3 pages.
- Computing History, “GRidPad 1910,” (<http://computinghistory.org.uk/det/6565/GRidPad-1910>), retrieved Sep. 12, 2011, 2 pages.
- dcinside.com, “iHolic HIV-200” (<http://dica.dcinside.com/review.php?pid=7192>), retrieved Sep. 22, 2011, 16 pages.
- Dial-a-Phone.co.uk, “Samsung F700 beats the iPhone!” (<http://blog.dialaphone.co.uk/2007/02/16/samsung-f700-beats-the-iphone/>), published Feb. 16, 2007, 38 pages.
- DigiBarn Systems, “GRiDpad Pen Computer,” (<http://www.digibarn.com/collections/systems/gridpad/index.html>), retrieved Sep. 23, 2011, 2 pages.
- EdibleApple, “The first Apple Tablet . . . from 1979,” (<http://www.edibleapple.com/the-first-apple-tablet-from-1979/>), published Nov. 23, 2009, 8 pages.
- EFashion Magazine, vol. 119, p. 45, China (Jun. 1, 2005).
- EFashion Magazine, vol. 12, p. 60, China (2004).
- EFashion Magazine, vol. 172, p. 26, China (Apr. 2006).
- Electronista, “LG/Prada phone revealed?,” (<http://www.electronista.com/articles/06/12/20/lg.prada.phone.revealed/>), updated Dec. 20, 2006, 9 pages.
- EngineerBoy, CleverDonkey.com, “2001:A Space Odyssey and the iPad (or is it tamPod?),” (<http://www.cleverdonkey.com/1499-2001a-space-odyssey-and-the-ipad-or-is-it-tampod/>), published Feb. 2, 2010, 5 pages.
- Flickr.com, “Apple Graphics Tablet” (http://farm3.static.flickr.com/2691/4126733086_b24c987b0e_o.jpg), accessed Nov. 15, 2011, 1 page.
- Fried, “Live-blogging Steve Ballmer,” CNET, (http://www.cnet.com/8301-31045_1-10426723-269.html?tag=mncol%3btxt), published Jan. 6, 2010, 6 pages.
- GSMarena.com, “Apple iPhone,” (http://www.gsmarena.com/apple_iphone-1827.php), accessed Mar. 12, 2007, 3 pages.
- GSMarena.com, “LG KE850 Prada,” (http://www.gsmarena.com/lg_ke850_prada-1828.php), accessed Feb. 20, 2007, 4 pages.
- GSMarena.com, “Phillips S900,” (http://www.gsmarena.com/philips_s900-1598.php), accessed Feb. 20, 2007, 2 pages.
- GSMarena.com, “Samsung F700,” (http://www.gsmarena.com/samsung_f700-1849.php), accessed Feb. 8, 2007, 2 pages.
- Hagen, R., GadgetZone, “iHolic portable mediaspeler,” (<http://www.gadgetzone.nl/nieuws.php?id=3191>), published Jan. 4, 2007, 3 pages.
- Hilon.com, “LG DMB MP3 FM35” (<http://www.hilon.com.cn/autobak/a88100055479.htm>), accessed Dec. 26, 2008, 18 pages.
- IF Design, “iF product design award 2007,” (http://www.ifdesign.de/beitragsdetails_e.html?offset=87&sprache=2&award_id=121&beit...), accessed on Sep. 21, 2011, 1 page.
- iriver.com, “iriver U-10,” (www.iriver.com), published 2005, 2 pages.
- Itbusiness.ca, “Microsoft Mira eHome Wireless Smart Display,” (http://www.itbusiness.ca/images/articles/Jun10/clip_image003_0087.jpg), accessed Nov. 15, 2011, 1 page.
- iTechNews.net, “Samsung K3 MP3 Player,” (<http://www.itechnews.net/2006/12/02/samsung-k3-mp3-player/>), published Dec. 2, 2006, 9 pages.
- Justia, “Apple v. Samsung Electronics Co. Ltd et al., Filing: 943 Attachment: 5,” (<http://docsjustia.com/cases/federal/district-courts/california/candce/5:2011cv01846/239768/943/5.html>), dated May 18, 2012, 3 pages.
- Kauffmann, “Music That Fits In Your Pocket,” Tomsguide.com, (<http://www.tomsguide.com/us/music-that-fits-in-your-pocket,review-525-5.html>), published Aug. 25, 2005, 4 pages.
- Knowyourmobile.com, “LG KG800 technical specifications,” (http://www.knowyourmobile.com/lg/lgkg800chocolate/lgkg800reviews/137/lg_kg800_technical_specifications.html), published Mar. 9, 2007, 3 pages.
- Lugmayr, “Sexy iHolic DMB TV PMP,” (<http://www.i4u.com/11656/sexy-iholic-dmb-tv-pmp>), published Jan. 3, 2007, 1 page.

- Martin, T., "The Tablet Newspaper: A Vision for the Future," *Human Factors in Computing Systems, Chi '95 Conference Companion*, pp. 425, Colorado, United States (May 1995).
- McCracken, "The iPad. Of 2000. As Envisioned in 1988," *Technologizer.com*, (<http://technologizer.com/2010/05/14/the-ipad-of-2000-as-envisioned-in-1988/>), published May 14, 2010, 12 pages.
- Mel et al., "Tablet: Personal Computer in the Year 2000," *Communications of the ACM* 31:638-646, ACM (Jun. 1988).
- Mobilegazette.com, "Nokia N92," (<http://www.mobilegazette.com/nokia-n92-051102.htm>), published Nov. 2, 2005, 2 pages.
- Mobilewhack.com, "Tinnos PDA," (http://www.mobilewhack.com/reviews/tinnos_pda.html), published May 19, 2006, 1 page.
- Needleman, "Hands-on with the JooJoo," (http://news.cnet.com/8301-19882_3-10410960-250.html), CNET News, published Dec. 7, 2009, 31 pages.
- NewLaunches, "LG Prada cell phones are truly iconic," (http://www.newlaunches.com/archives/lg_prada_cell_phones_are_truly_iconic.php), retrieved Sep. 12, 2011, 3 pages.
- NewLaunches, "LG Wears Prada," (http://www.newlaunches.com/archives/lg_wears_prada.php), retrieved Sep. 23, 2011, 2 pages.
- Newlaunches.com, "Pidion BM-200 sleek Windows CE PDA phone from Bluebird," (http://www.newlaunches.com/archives/pidion_bm200_sleek_windows_ce_pda_phone_from_bluebird.php), published Dec. 15, 2005, 3 pages.
- NyTimes.com, "iRiver U10 (1GB)," (<http://www.nytimes.com/technology/personaltech/music-players/iRiver-U10-1GB-31432102.html>), published Feb. 12, 2012, 2 pages.
- Patel, "The HP Slate" (<http://www.engadget.com/2010/01/06/the-hp-slate/>), Engadget.com, published Jan. 6, 2010, 4 pages.
- PC Magazine, "HP Compaq Tablet PC TC1000," (<http://www.pcmag.com/article2/0,2817%20,939500,00.asp>), published Apr. 8, 2003, 3 pages.
- PCMag.com, "iriver U10," (<http://www.pcmag.com/article2/0,2817,1901833,00.asp>), published Dec. 14, 2005, 3 pages.
- PDADB.net, "Bluebird Pidion BM-200 Specs," (http://pdadb.net/index.php?m=specs&id=1804&c=bluebird_pidion_bm-200), published Mar. 24, 2008, 3 pages.
- PDADB.net, "Casio Cassiopeia IT-10 M20BR Specs," (http://pdadb.net/index.php?m=specs&id=95&c=casio_cassiopeia_it-10_m20br), published Dec. 30, 2004, 3 pages.
- PDADB.net, "CyberBank POZ X301 Specs," (http://pdadb.net/index.php?m=specs&id=442&c=cyberbank_poz_x301), published Jan. 31, 2006, 3 pages.
- PDADB.net, "Dell Axim X3 Basic Specs," (http://pdadb.net/index.php?m=specs&id=81&c=dell_axim_x3_basic), published Dec. 30, 2004, 3 pages.
- PDADB.net, "Detailed Specifications of O2 XDA Flame," (http://pdadb.net/index.php?m=specs&id=673&view=1&c=O2_xda_flame), accessed May 6, 2011, 3 pages.
- PDADB.net, "Dopod 838 Pro (HTC Hermes 100) Specs," (http://pdadb.net/index.php?m=specs&id=578&c=dopod_838_pro_htc_hermes_100), published Aug. 4, 2005, 3 pages.
- PDADB.net, "Garmin iQue M5 Specs," (http://pdadb.net/index.php?m=specs&id=302&c=garmin_ique_m5), published Jul. 17, 2005, 3 pages.
- PDADB.net, "Krome Spy (HTC Magician Refresh) Specs," (http://pdadb.net/index.php?m=specs&id=550&c=krome_spy_htc_magician_refresh), published Jul. 18, 2006, 3 pages.
- PDADB.net, "MiTAC Mio 338 Plus Digi-Walker Specs," (http://pdadb.net/index.php?m=specs&id=60&c=mitac_mio_338_plus_digi-walker), published Dec. 25, 2004, 3 pages.
- PDADB.net, "O2 XDA (HTC Wallaby) Specs," (http://pdadb.net/index.php?m=specs&id=117&c=o2_xda_htc_wallaby), published Feb. 3, 2005, 3 pages.
- PDADB.net, "Palm Z22 Specs," (http://pdadb.net/index.php?m=specs&id=1244&c=palm_z22), published Mar. 13, 2006, 3 pages.
- PDADB.net, "PalmOne LifeDrive Specs," (http://pdadb.net/index.php?m=specs&id=1242&c=palmone_lifedrive), published Mar. 12, 2008, 3 pages.
- PDADB.net, "Sony Clie PEG-SL10 / PEG-SL10U / PEG-SL10E Specs," (http://pdadb.net/index.php?m=specs&id=1198&c=sony_clie_peg-sl10_peg-sl10u_peg-sl10e), published Mar. 4, 2008, 3 pages.
- PDADB.net, "Sony Clie PEG-T665C / PEG-T675C Specs," (http://pdadb.net/index.php?m=specs&id=1192&c=sony_clie_peg-t665c_peg-t675c), published Mar. 4, 2008, 3 pages.
- PDADB.net, "Toshiba Genio e330 Specs," (http://pdadb.net/index.php?rn=specs&id=29&c=toshiba_genio_e330), published Dec. 9, 2004, 3 pages.
- PDADB.net, "Toshiba Genio e570 Specs," (http://pdadb.net/index.php?m=specs&id=229&c=toshiba_genio_e570), published May 4, 2006, 3 pages.
- Ricker, "LG's KE850 Prada official: iPhone says, wha?" Engadget.com, (<http://www.engadget.com/2007/01/18/lgs-ke850-prada-official-iphone-says-wha/>), published Jan. 18, 2007, 4 pages.
- Ricker, "Meizu's M8? Apple lawyers, start your engines," Engadget.com, (<http://www.engadget.com/2007/01/29/meizus-m8-apple-lawyers-start-your-engines/>), published Jan. 29, 2007, 1 page.
- Ricker, "The Pidion BM-200: it's time to move to Seoul," (<http://www.engadget.com/2005/10/04/the-pidion-bm-200-its-time-to-move-to-seoul/>), Engadget.com, published Oct. 4, 2005, 4 pages.
- Rojas, "Hands-on with the Nokia N92," Engadget.com, (<http://www.engadget.com/2005/12/01/hands-on-with-the-nokia-n92/>), published Dec. 1, 2005, 4 pages.
- S., Dimitris, "Pidion BM200 Smartphone," PDASNews, (www.pdasnews.com/articles/pidion-bm200-smartphone.html), published 2009, 2 pages.
- Salestores.com, "LG L1530TM Tablet LCD Monitor," (<http://salestores.com/lgl1talcdmos.html>), accessed Nov. 17, 2011, 2 pages.
- Samsung, "Samsung F700 is razendsnelle alleskunner voor mobiel breedband van Vodafone," (http://www.samsung.com/nl/mobile/pressView.do?type=press&page=13&news_seq=22544), published May 25, 2008, 2 pages.
- Samsung, "Samsung Unveils Revolutionary Ultra Smart F700," (http://www.samsung.com/us/news/newsRead.do?news_seq=3516, published Nov. 23, 2009), 2 pages.
- Smith et al., "The Radial Scroll Tool: Scrolling Support for Stylus— or Touch-Based Document Navigation," *UIST*, ACM, published Oct. 2004.
- Smith, reghardware.com, "First fondleslab found in 1970s kids TV sci-fi gem: Apple iPad inspired by Tomorrow People," (http://www.reghardware.com/2011/02/07/apple_ipad_tomorrow_people/), published Feb. 7, 2011, 3 pages.
- Sooman, "The LG Chocolate phone," Techspot.com, (<http://www.techspot.com/news/20929-the-lg-chocolate-phone.html>), published on Mar. 23, 2006, 5 pages.
- Van Reeth, J., "Vantage is showing its colours!," *Home automation journal* 11:1-8, Vantage Emea, Belgium (Jun. 2003).
- Vasile, C., Softpedia, "MobilePen: An Expensive but Helpful Touchscreen," (<http://news.softpedia.com/news/MobilePen-An-Expensive-But-Helpful-Touchscreen-16192.shtml>), published Jan. 12, 2006, 2 pages.
- Vilas-Boas, "Industrial Design Portfolio," (<http://rdvb-designshowcase.blogspot.com/p/cheddar-1-2009.html>), published 2004, 6 pages.
- WebdesignerDepot.com, "The Evolution of Cell Phone Design Between 1983-2009" (<http://www.webdesignerdepot.com/2009/05/the-evolution-of-cell-phone-design-between-1983-2009/>), accessed May 6, 2011, 56 pages.
- Wikipedia, "Etch A Sketch," (http://en.wikipedia.org/wiki/Etch_a_sketch), last modified Aug. 24, 2011, 4 pages.
- Wikipedia, "MessagePad," (<http://en.wikipedia.org/wiki/Messagepad>), retrieved Sep. 12, 2011, 10 pages.
- Wikipedia.org, "Clié," (<http://en.wikipedia.org/wiki/CL%C3%89>), last modified Feb. 12, 2011, 3 pages.
- Wikipedia.org, "E-Ten" (<http://en.wikipedia.org/wiki/E-TEN>), last modified Dec. 15, 2010, 2 pages.
- Wikipedia.org, "File:LG KE850 Prada Hauptmenü.jpg," (http://en.wikipedia.org/wiki/File:LG_KE850_Prada_Hauptmen%C3%BC.jpg), published May 13, 2008, 4 pages.
- Wikipedia.org, "iPAQ" (<http://en.wikipedia.org/wiki/IPAQ>), last modified May 4, 2011, 7 pages.
- Wikipedia.org, "LifeDrive" (<http://en.wikipedia.org/wiki/LifeDrive>), last modified Mar. 16, 2011, 3 pages.
- Wikipedia.org, "Pocket viewer," (http://en.wikipedia.org/wiki/Pocket_viewer), last modified Apr. 10, 2011, 4 pages.

Wikipedia.org, “Zire Handheld” (http://en.wikipedia.org/wiki/Zire_Handheld), last modified Dec. 11, 2010, 4 pages.
 ZDnet, “Viewsonic V1100,” (<http://www.zdnet.nl/reviews/24712/viewsonic-v1100/>), published Feb. 17, 2003, 9 pages.
 Ziegler, “The LG KE850: touchable chocolate,” Engadget.com, (<http://www.engadget.com/2006/12/15/the-lg-ke850-touchable-chocolate/>), published Dec. 15, 2006, 5 pages.
 FinalSense, “Samsung Ultra Smart F520 Dual Slider Phone,” (http://www.finalsense.com/news/it/phone/samsung_f520.htm), published Feb. 2007, 3 pages.
 Gizmodo, “Bluebird Pidion BM-200 Packed with Acronyms and Other Impressive Features,” (<http://gizmodo.com/143554/bluebird-pidion-bm+200-packed-with-acronyms-and-other-impressive-features>), published Dec. 15, 2005, 2 pages.
 Gizmodo, “Touchscreen iPod Due This November Says Our Secret Source,” (<http://gizmodo.com/192158/touchscreen-ipod-due-this-november-says-our-secret-source>), published Aug. 4, 2006, 2 pages.
 InfoSync, “Preview: LG PM70,” (<http://infosyncworld.com/news/n/5869.html>), published Mar. 15, 2005, 2 pages.
 Melanson, D., Engadget, “Meizu M8 / miniOne closer to production, litigation,” (<http://www.engadget.com/2007/02/13/meizu-m8-minione-closer-to-production-litigation/>), published Feb. 13, 2007, 3 pages.
 Samsung, “Samsung Galaxy S,” (<http://www.samsung.com/au/smartphone/galaxys/>), product released Jun. 2010, 2 pages.
 SoftBank, “SoftBank 825SH,” (<http://mb.softbank.jp/en/products/sharp/825sh.html>), product released Jul. 2008, 3 pages.
 Svartlinks, Blogspot, “Samsung F700, F520, F510, F500 and F300 Ultra Smart—Smartphones,” (<http://svartlinks.blogspot.com/2007/02/samsung-f700-f520-f510-f500-and-f300.html>), published Feb. 13, 2007, 10 pages.

* cited by examiner

Primary Examiner — Barbara Fox
Assistant Examiner — Aram Kwon
 (74) *Attorney, Agent, or Firm* — Sterne, Kessler, Goldstein & Fox P.L.L.C.

(57) **CLAIM**

The ornamental design for an electronic device, as shown and described.

DESCRIPTION

FIG. 1 is a bottom front perspective view of an electronic device showing the claimed design;
 FIG. 2 is a bottom rear perspective view thereof;
 FIG. 3 is a top front perspective view thereof;
 FIG. 4 is a top rear perspective view thereof;
 FIG. 5 is a front view thereof;
 FIG. 6 is a rear view thereof;
 FIG. 7 is a top view thereof;
 FIG. 8 is a bottom view thereof;
 FIG. 9 is a left side view thereof; and,
 FIG. 10 is a right side view thereof.
 The broken lines in the figures show portions of the electronic device that form no part of the claimed design.

1 Claim, 8 Drawing Sheets

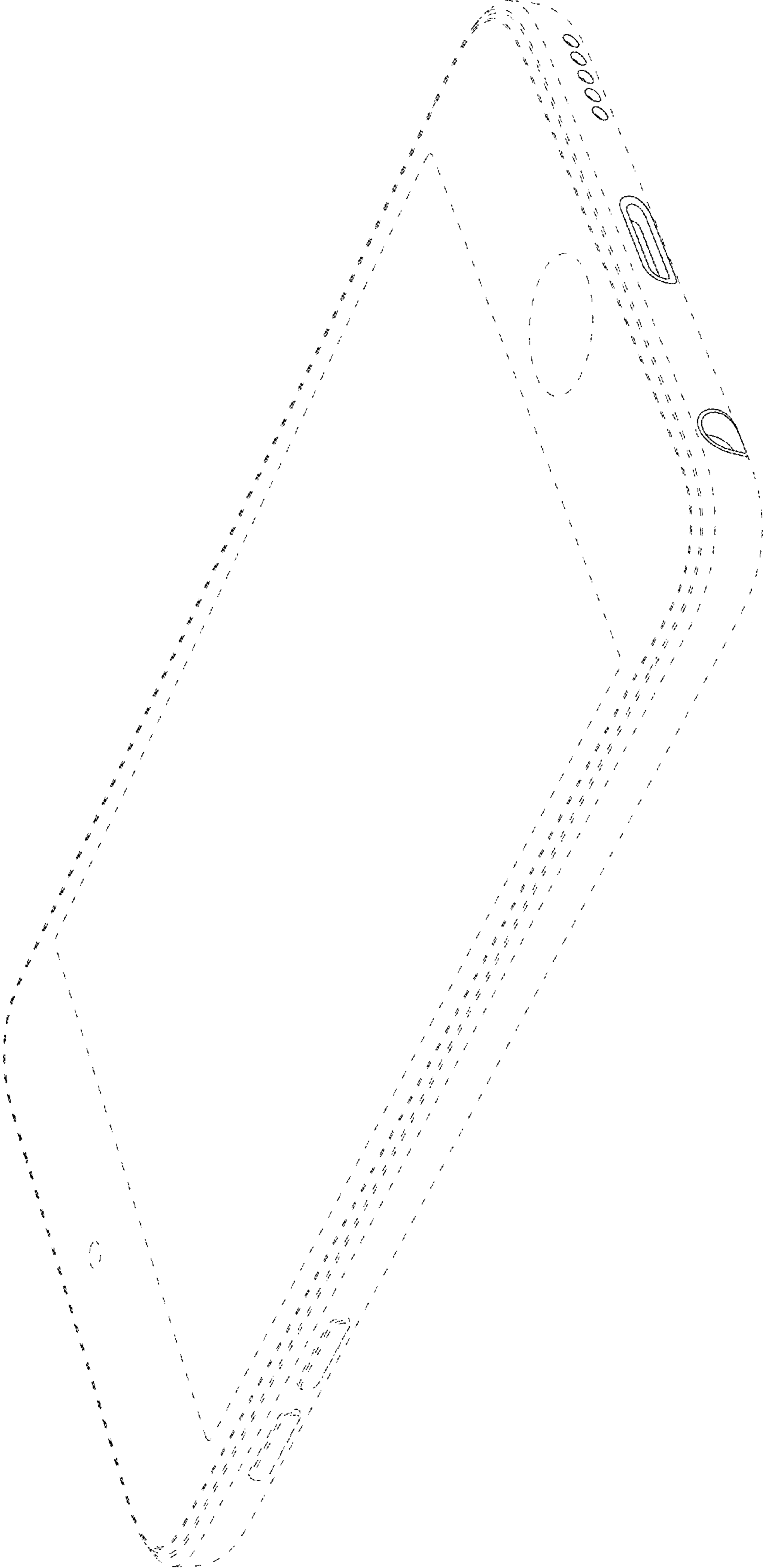


FIG. 1

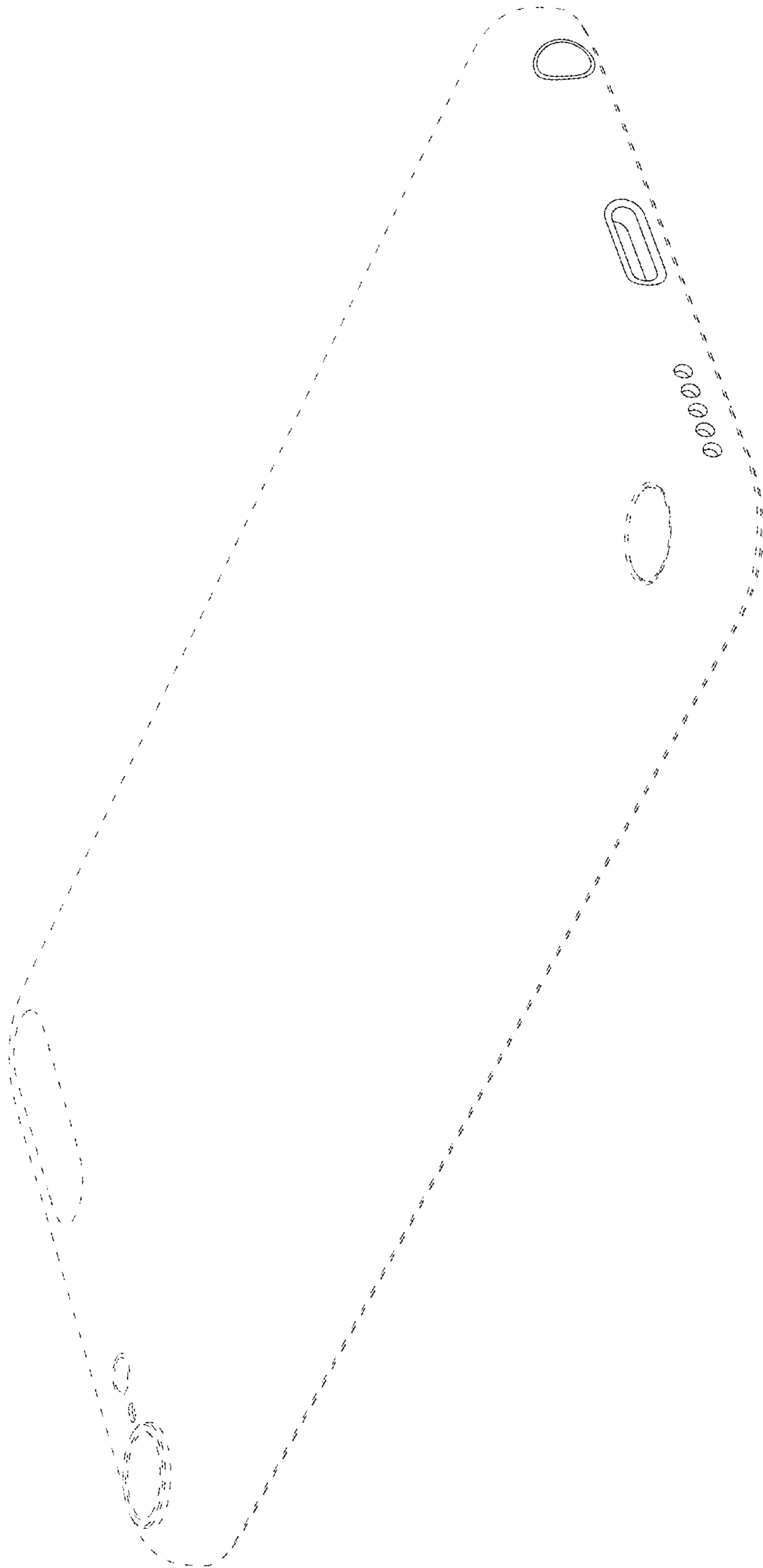


FIG. 2

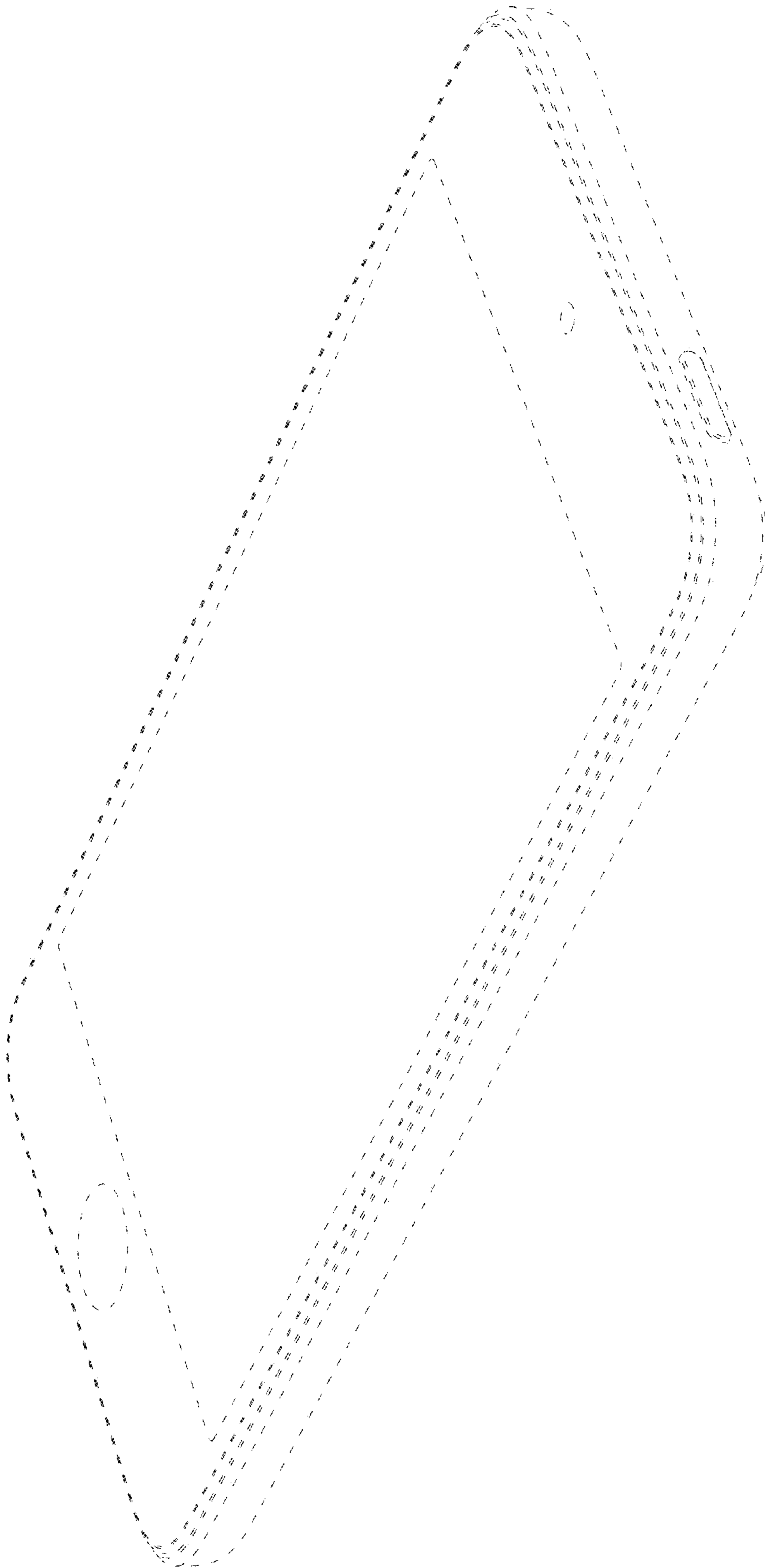


FIG. 3

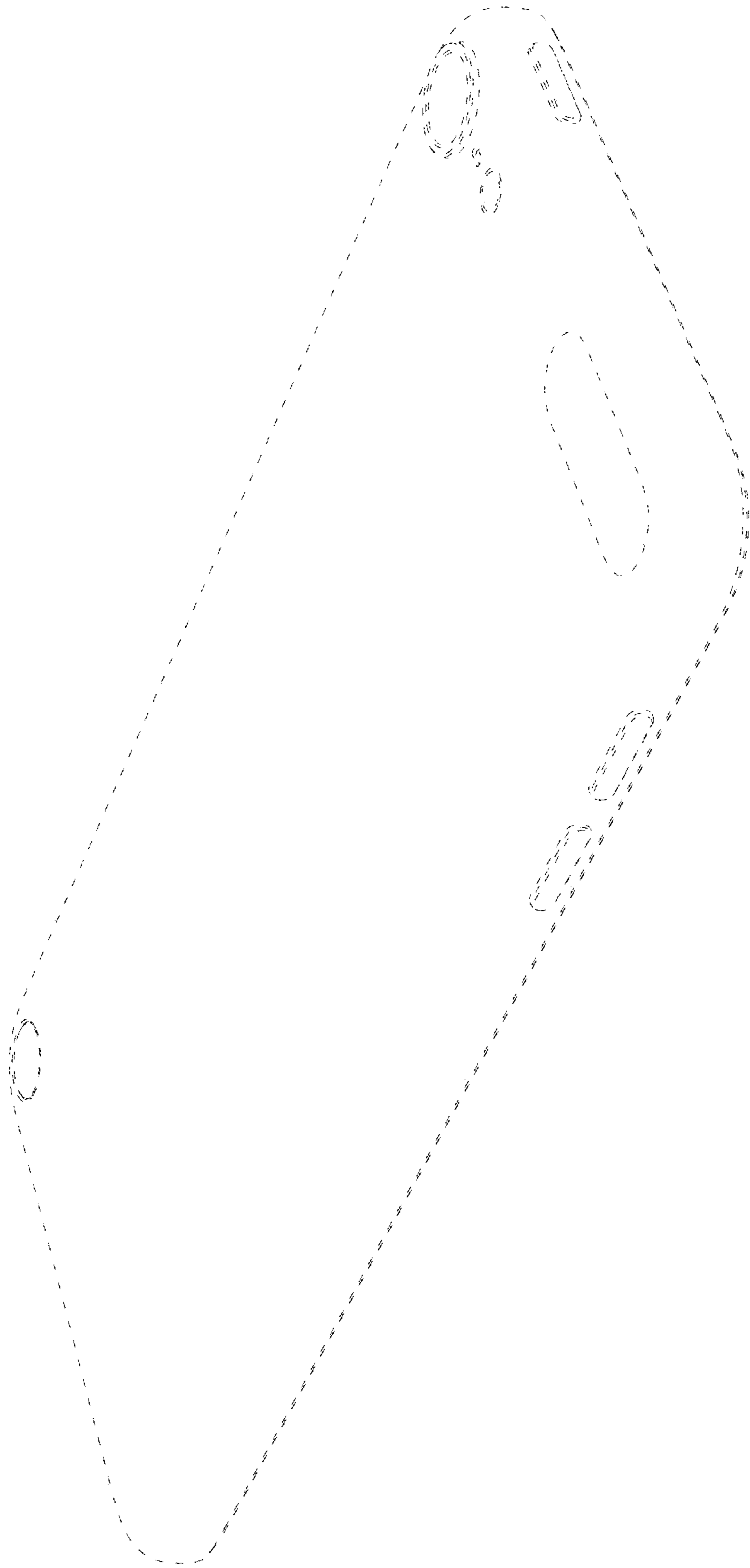


FIG. 4

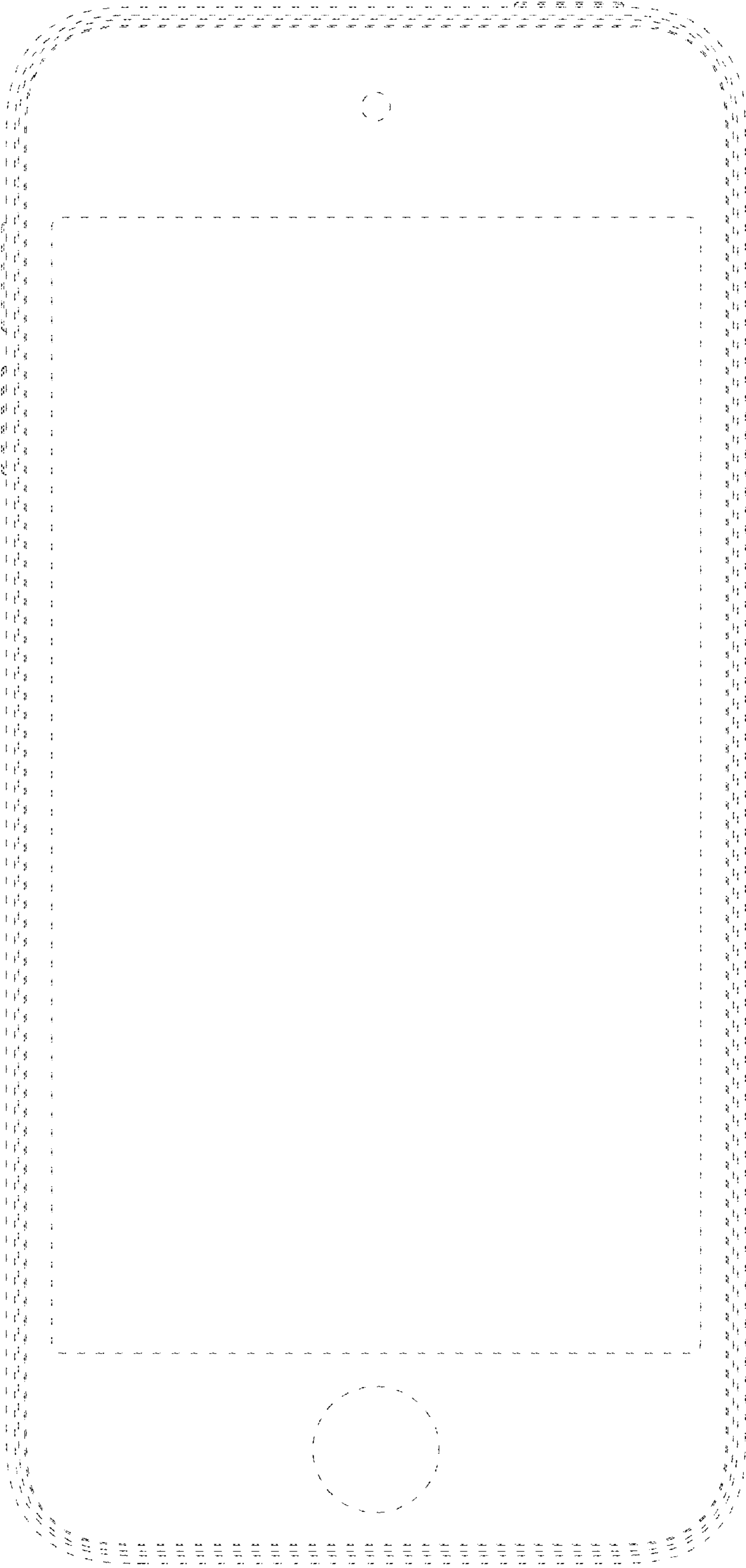


FIG. 5



FIG. 6



FIG. 7

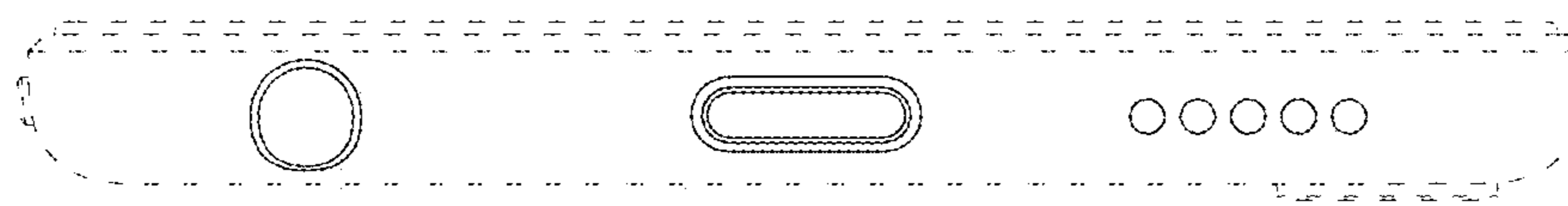


FIG. 8

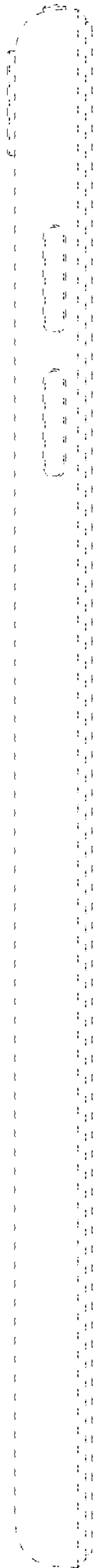


FIG. 9

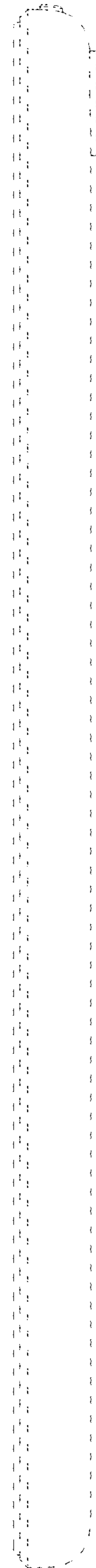


FIG. 10