



US00D967813S

(12) **United States Design Patent**
Von Bargen et al.

(10) **Patent No.:** **US D967,813 S**
(45) **Date of Patent:** **** Oct. 25, 2022**

(54) **MAGNETIC SAFE VENT MOUNT**

D845,961 S 4/2019 Yao
D849,012 S 5/2019 Yao
D851,650 S 6/2019 Minn

(71) Applicant: **PopSockets LLC**

(Continued)

(72) Inventors: **Nicholas Von Bargen**, Boulder, CO (US); **Karla-Sofia Zapata-Garcia**, Boulder, CO (US); **Randy Yang Chiang**, Boulder, CO (US); **Lawrence Herman Fong**, Boulder, CO (US); **Michael Kory**, Boulder, CO (US)

FOREIGN PATENT DOCUMENTS

CN 203832371 9/2014
CN 305650239 3/2020
EM 008341283-0002 12/2020

(73) Assignee: **POPSOCKETS LLC**, Boulder, CO (US)

OTHER PUBLICATIONS

LAX Gadgets Magnetic Air Vent Car Mount Phone Holder, Item #: 550-25802973, Model #: laxcarmagvntblk, Jul. 14, 2022, obtained online at: https://www.quill.com/lax-gadgets-magnetic-air-vent-car-mount-phoneholder/cbs/54800729.html?effort_code=550&sfcp=1&gclsrc=aw.ds&&cm_mmc=SEM_PLA_SHOP_T_ECH_7p_54800729_N_N_HIGH&mcode=SEM_PLA_TECH_7p_54800729_N_N_HIGH&gclid=EA1alQobChMlotmVz-Lz-AIVPAytBh2krQaoEAQYBSABEgLk8vD_BwE, 3 pgs.

(Continued)

(**) Term: **15 Years**

Primary Examiner — Janice Hallmark

(21) Appl. No.: **29/865,247**

(22) Filed: **Jul. 15, 2022**

(51) **LOC (13) Cl.** **14-03**

(52) **U.S. Cl.**
USPC **D14/253**

(58) **Field of Classification Search**
USPC D14/251–253, 447, 217, 250; D3/218; D12/415; D13/108
CPC A45C 2011/002; A45F 2200/0516; H04B 2001/3861; H04M 1/04; B60R 11/02

See application file for complete search history.

(57) **CLAIM**

The ornamental design for a magnetic safe vent mount, as shown and described.

(56) **References Cited**

DESCRIPTION

U.S. PATENT DOCUMENTS

D655,692 S 3/2012 Silverman
D690,707 S 10/2013 Minn
D748,615 S 2/2016 Seop
D783,593 S 4/2017 Yin-Hung
D802,404 S 11/2017 Turksu
D806,064 S * 12/2017 Lee D14/253
D807,339 S 1/2018 Changwen
D820,247 S * 6/2018 Ahn D14/253
D823,847 S 7/2018 Lebovitz
D824,378 S 7/2018 Sukphisit
D825,549 S 8/2018 Lebovitz
D831,660 S 10/2018 Yao
D831,661 S 10/2018 Yao

FIG. 1 is a perspective view of a magnetic safe vent mount showing our new design;

FIG. 2 is a perspective view thereof;

FIG. 3 is a front view thereof;

FIG. 4 is a rear view thereof;

FIG. 5 is a right-side view thereof;

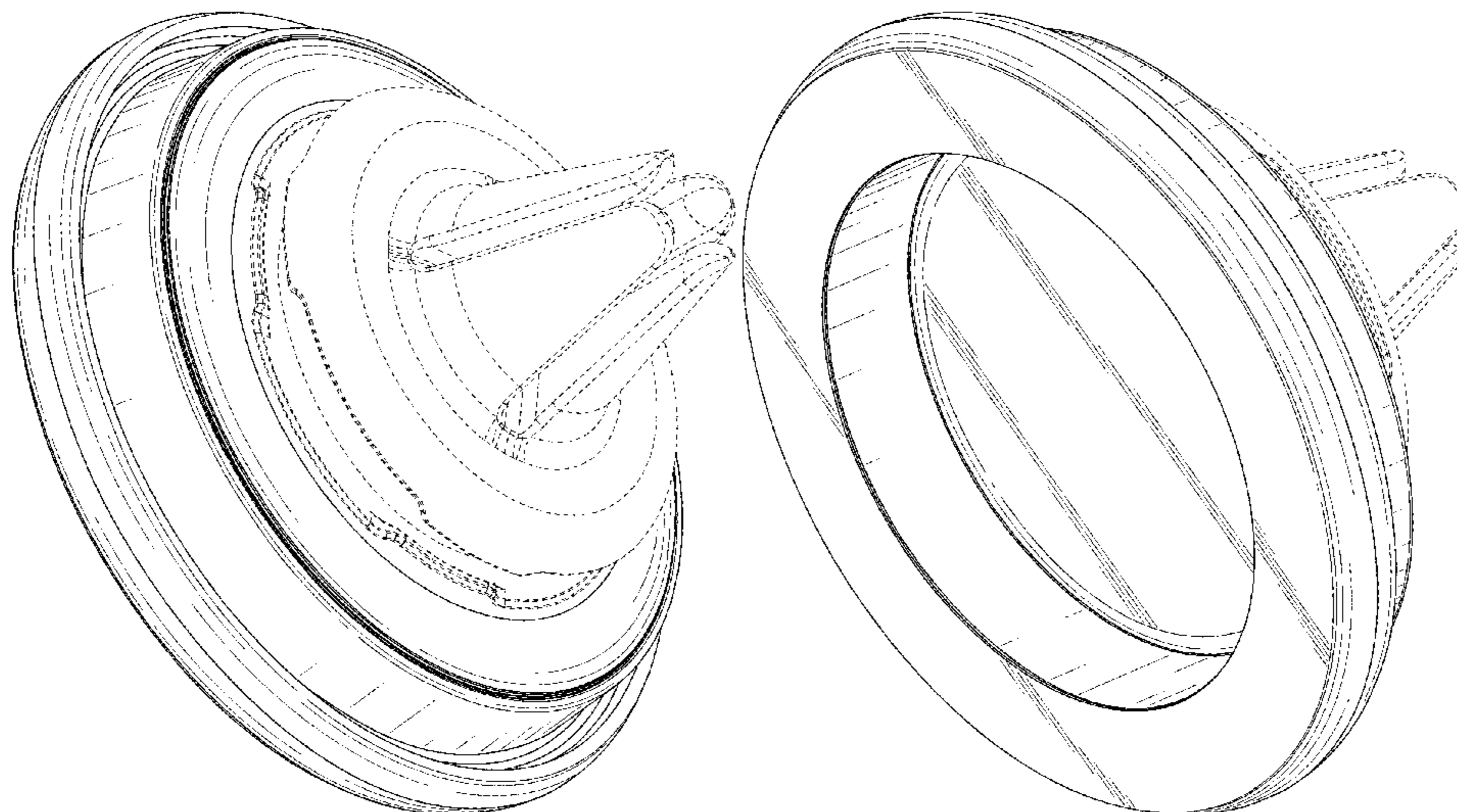
FIG. 6 is a left-side thereof;

FIG. 7 is a top view thereof; and,

FIG. 8 is a bottom view thereof.

The broken lines illustrate environmental subject matter only and form no part of the claimed design.

1 Claim, 8 Drawing Sheets



(56)

References Cited

U.S. PATENT DOCUMENTS

10,376,719 B1* 8/2019 Xu B60R 11/06
 D858,509 S 9/2019 Yao
 D859,286 S 9/2019 He
 D860,114 S 9/2019 He
 D877,741 S 3/2020 Leeds-Frank
 D879,087 S 3/2020 Webb
 D879,089 S 3/2020 Richter
 D879,278 S 3/2020 Scaba
 D894,829 S 9/2020 Zhang
 D900,086 S* 10/2020 Kim D14/250
 D904,386 S* 12/2020 Luo D3/218
 D908,687 S 1/2021 Lebovitz
 D911,324 S 2/2021 Wu
 11,014,509 B2 5/2021 Dang
 D924,796 S* 7/2021 Ye D28/64.1
 D934,232 S 10/2021 Francis
 D944,787 S* 3/2022 Zheng D14/253
 D954,696 S 6/2022 Li
 D955,376 S 6/2022 Li
 2016/0052370 A1* 2/2016 Esses B60H 3/0028
 239/398
 2016/0309865 A1 10/2016 Chiang
 2016/0318455 A1* 11/2016 Zhang F16M 11/2021
 2017/0035172 A1 2/2017 Dae-Young
 2017/0170858 A1* 6/2017 Tiller H04B 1/3877
 2017/0232128 A1* 8/2017 Esses H01R 24/28
 422/4
 2020/0328017 A1* 10/2020 Isenberg B60R 11/0241
 2021/0129767 A1* 5/2021 Leimer F16M 13/00
 2021/0178862 A1* 6/2021 Alves B60R 11/02

OTHER PUBLICATIONS

Cygnett MagMount Plus Magnetic Car Vent Mount (CY2377ACVEN), Item #: 24526509, Model #: CYG2377ACVEN, Jul. 14, 2022, obtained online at: https://www.staples.com/cygnett-magmount-plus-magnetic-car-vent-mount-cy2377acven/product_24526509?cid=PS:GS:SBD:PLA:Trans&gclid=EAIalQobChMlkseWpO7z-AIVhsDICH3_0wZIEAkYAyABEgltFfD_BwE 4 pgs.
 Global Sources, Mobile phone accessories Magnetic phone holder Air vent car mount with screw lock APPS2Car, obtained online at: <https://www.globalsources.com/Mobile-phone/Car-vent-magnetic-phone-holder-1165257587p.htm>, Jul. 15, 2022, 4 pgs.
 Limitless 3.0, Vent Mount, obtained online at: https://www.mous.co/products/lim-3-vent-mount?currency=USD&variant=31230263918650&utm_medium=cpc&utm_source=google&utm_campaign=Google%20Shopping&gclid=EAIalQobChMlotmVz-Lz-AIVPAytBh2krQaoEAQYAiABEgKGW_D_BwE, Jul. 15, 2022, 12 pgs.
 Scosche, MAGVM2 MagicMount Magnetic Vent Phone Holder Mount for Car, obtained online at: https://www.amazon.com/SCOSCHE-MAGVM2-MagicMount-Magnetic-Phone/dp/B00PMOCI72/ref=asc_df_B00PMOCI72/?tag=hyprod-20&linkCode=df0&hvadid=312067196837&hvpos=&hvnetw=g&hvrnd=5824231925252609500&hvpos=&hvptwo=&hvqmt=&hvdev=c&hvdvcm1=&hvlocint=&hvlocphy=9021768&hvtargid=pla-382975942691&pvc=1, 10 pgs.

* cited by examiner

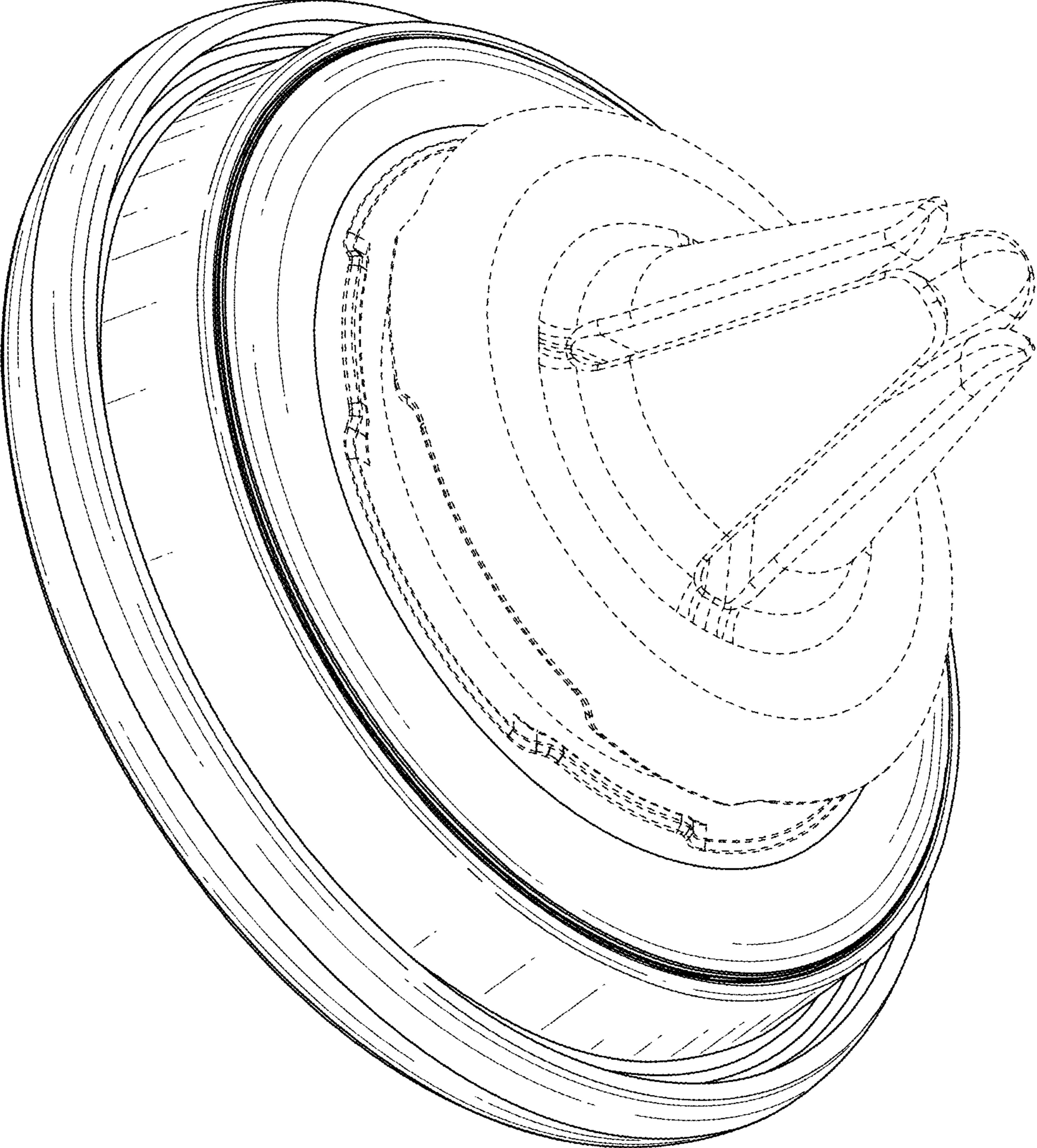


FIG. 1

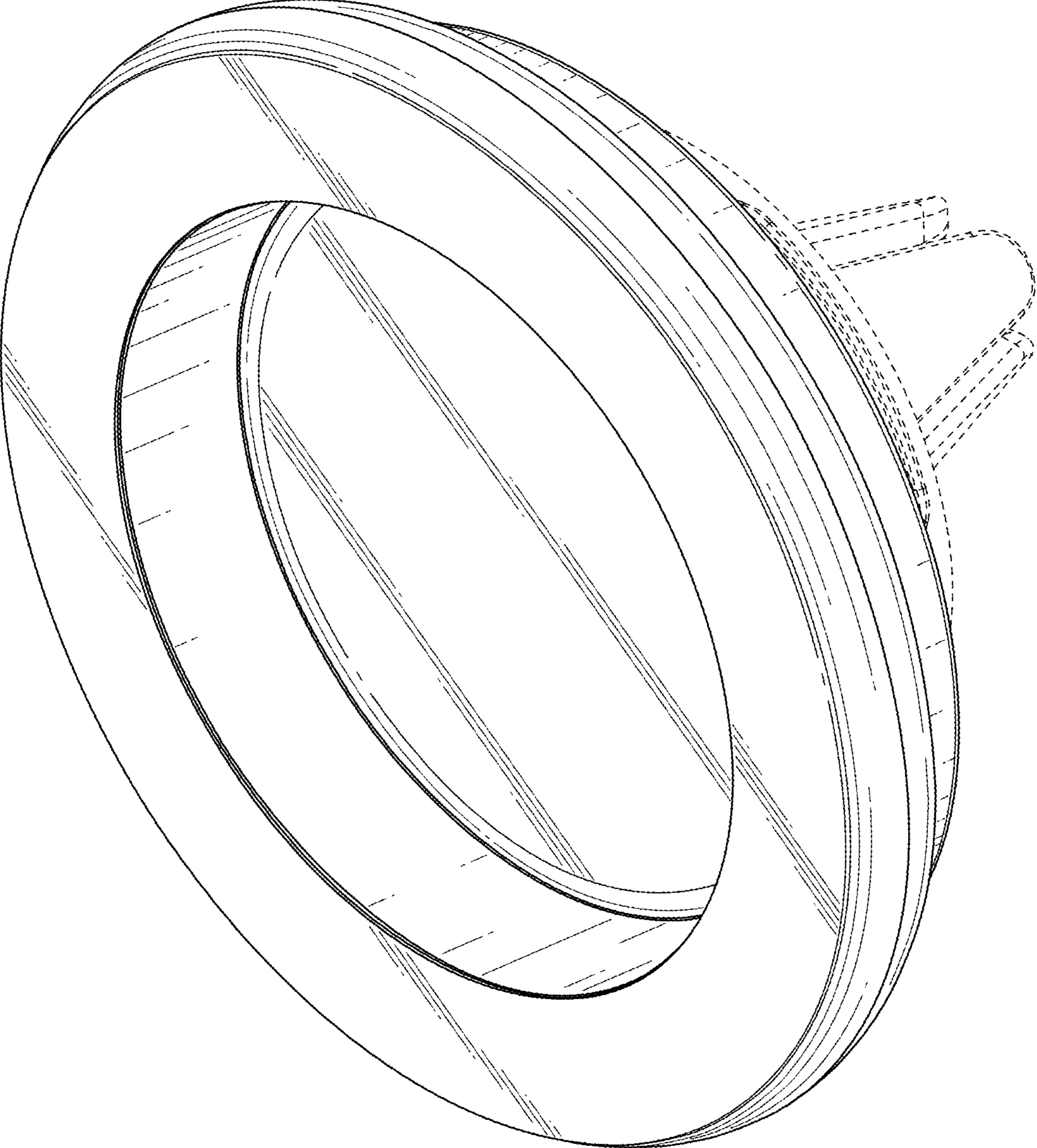


FIG. 2

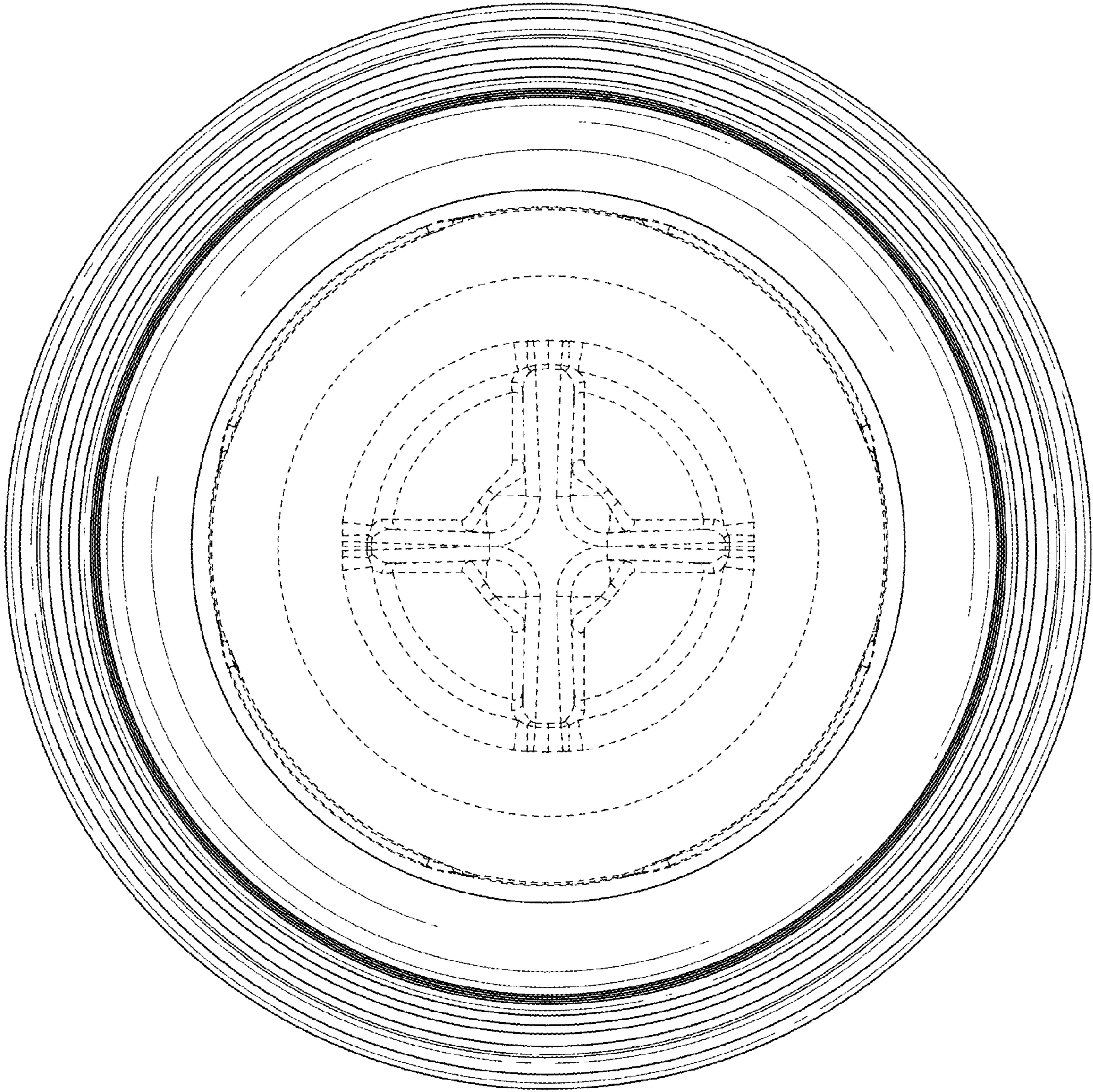


FIG. 3

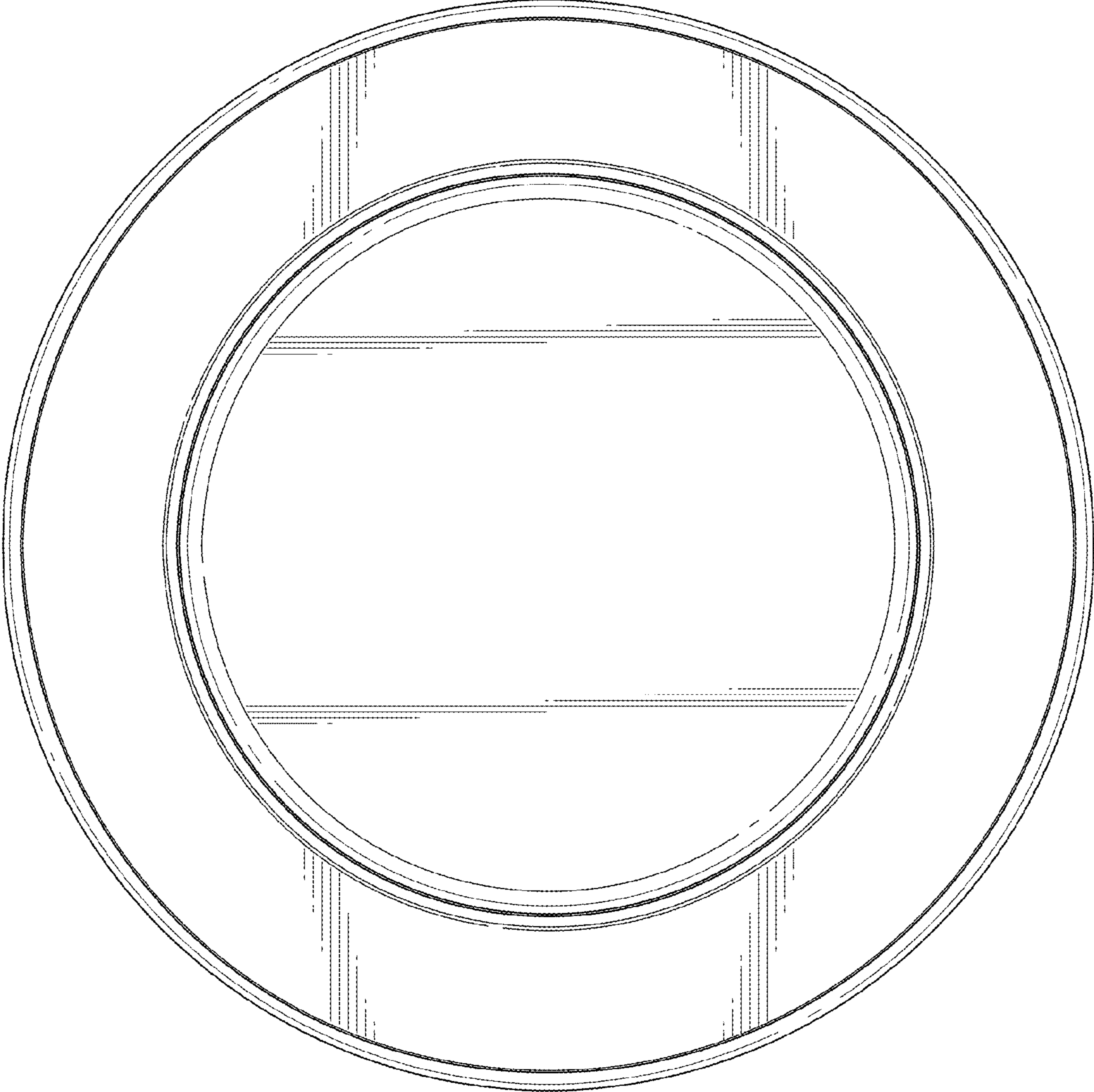


FIG. 4

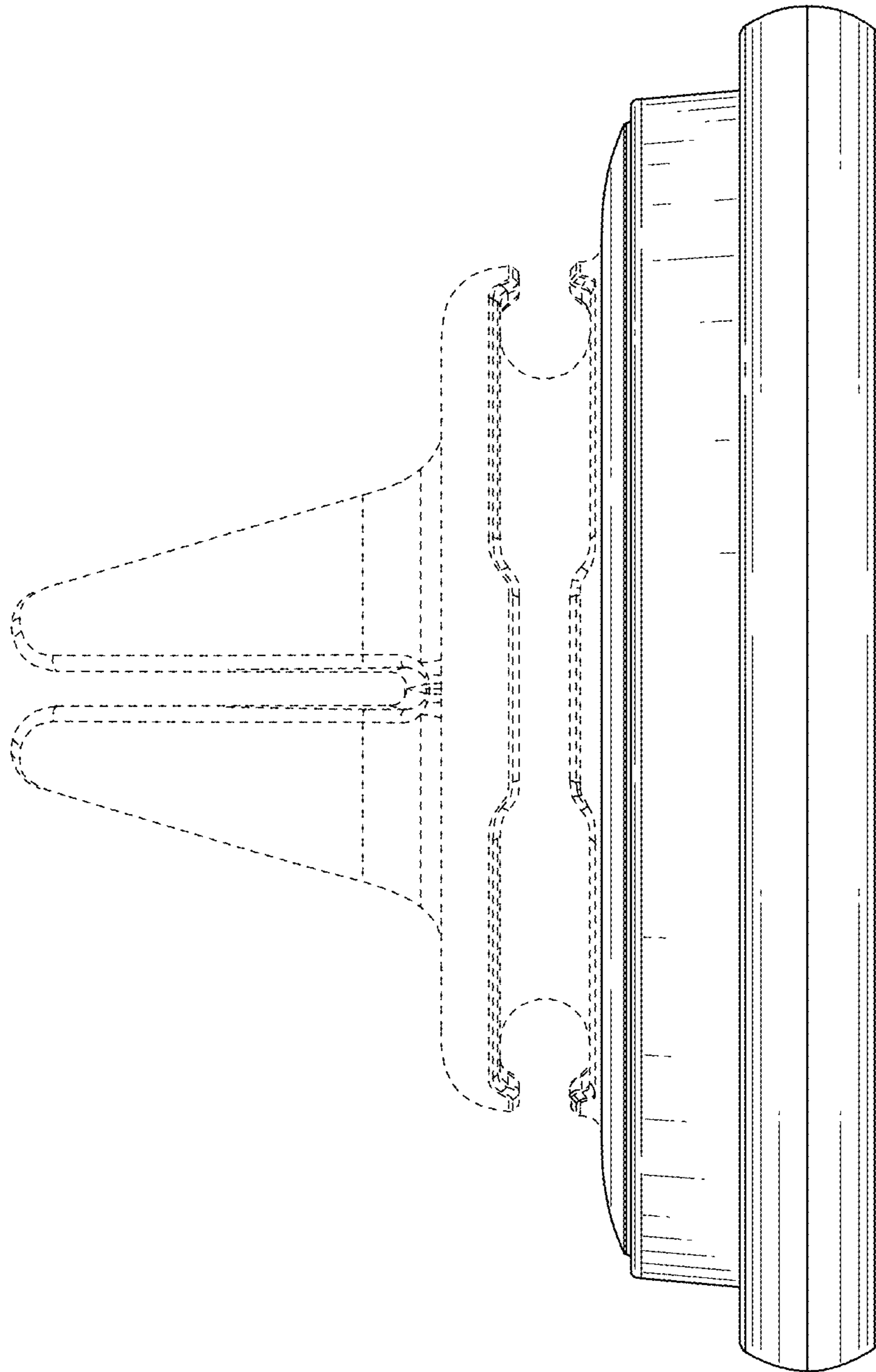


FIG. 5

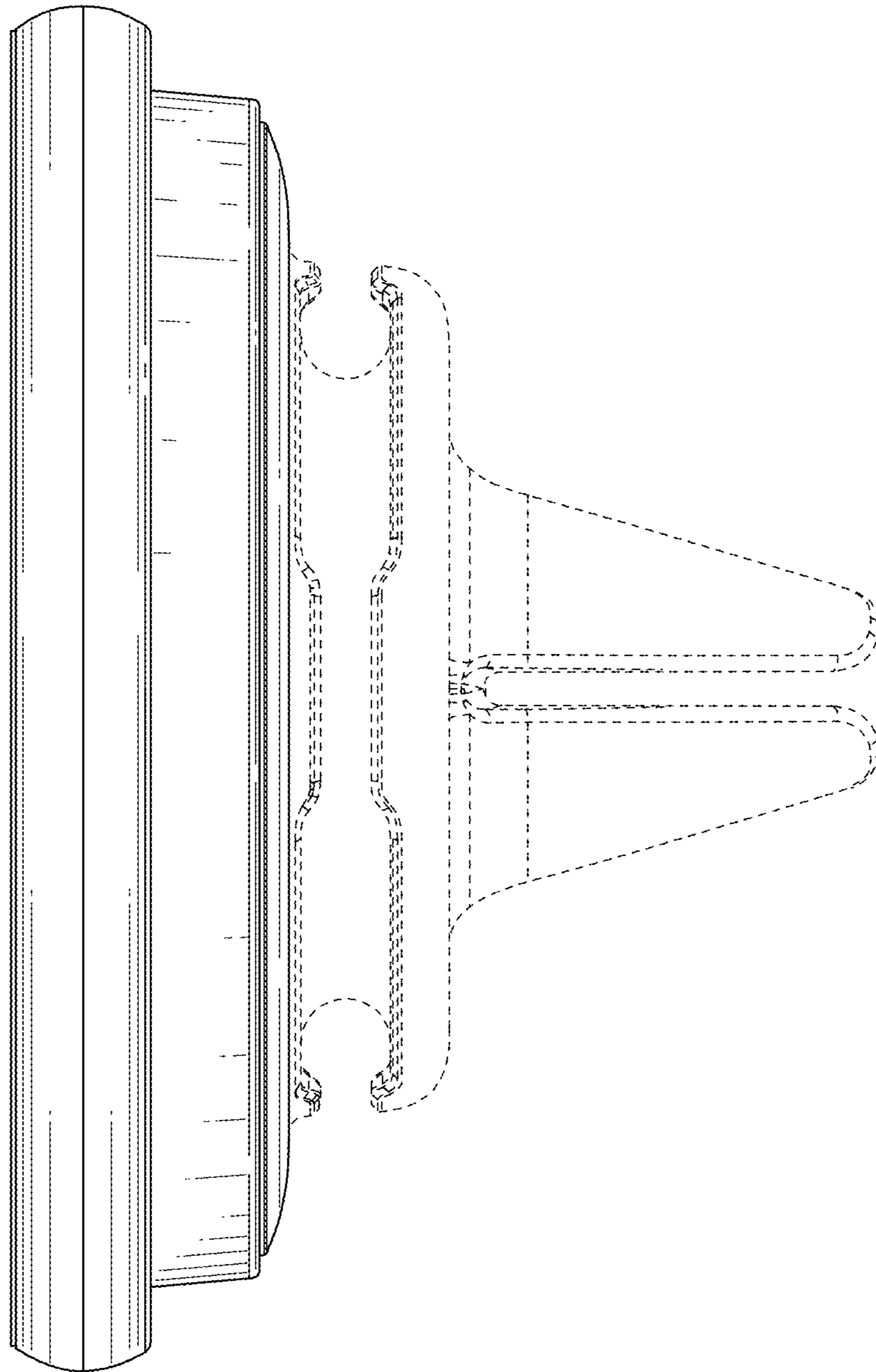


FIG. 6

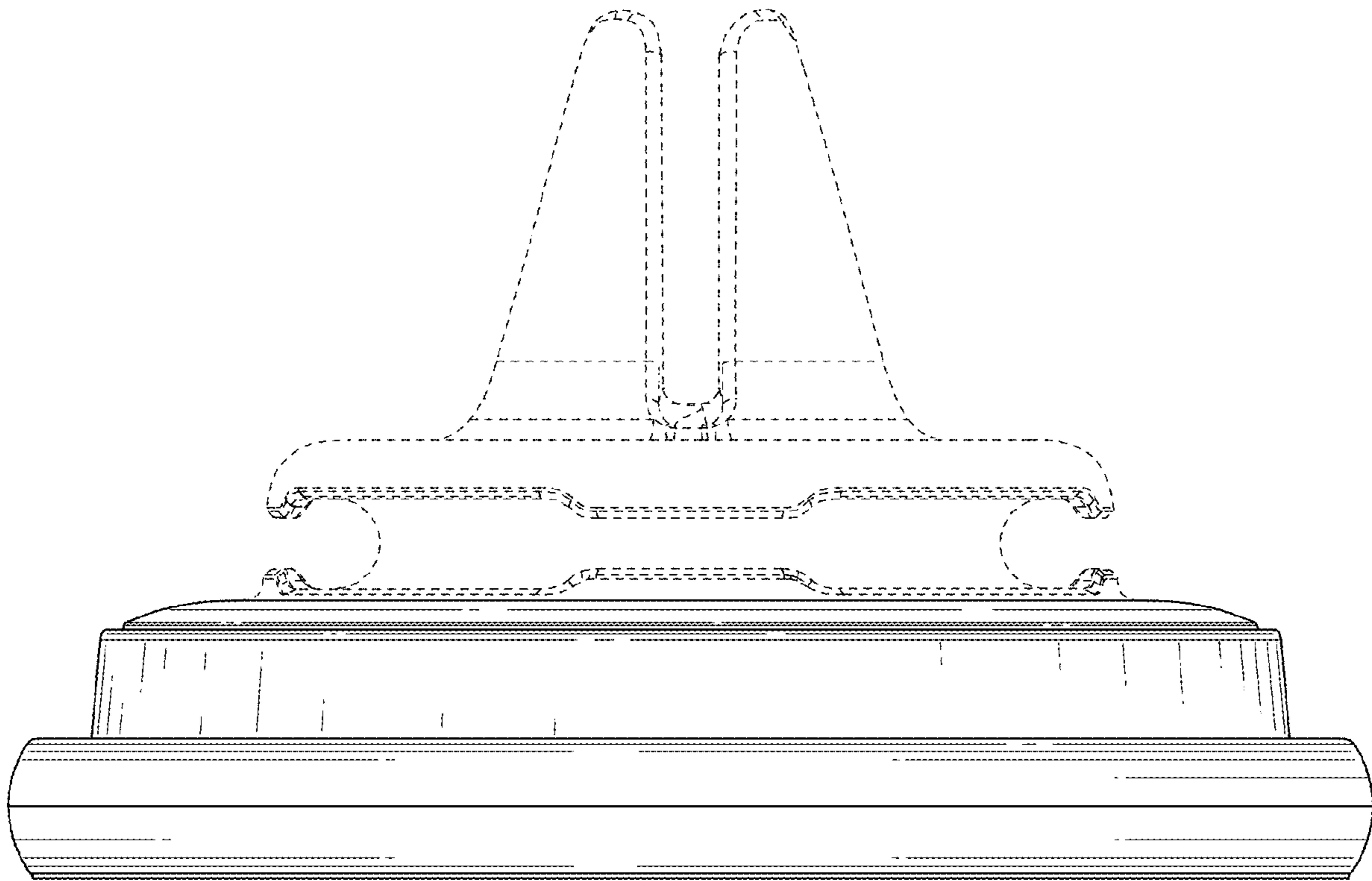


FIG. 7

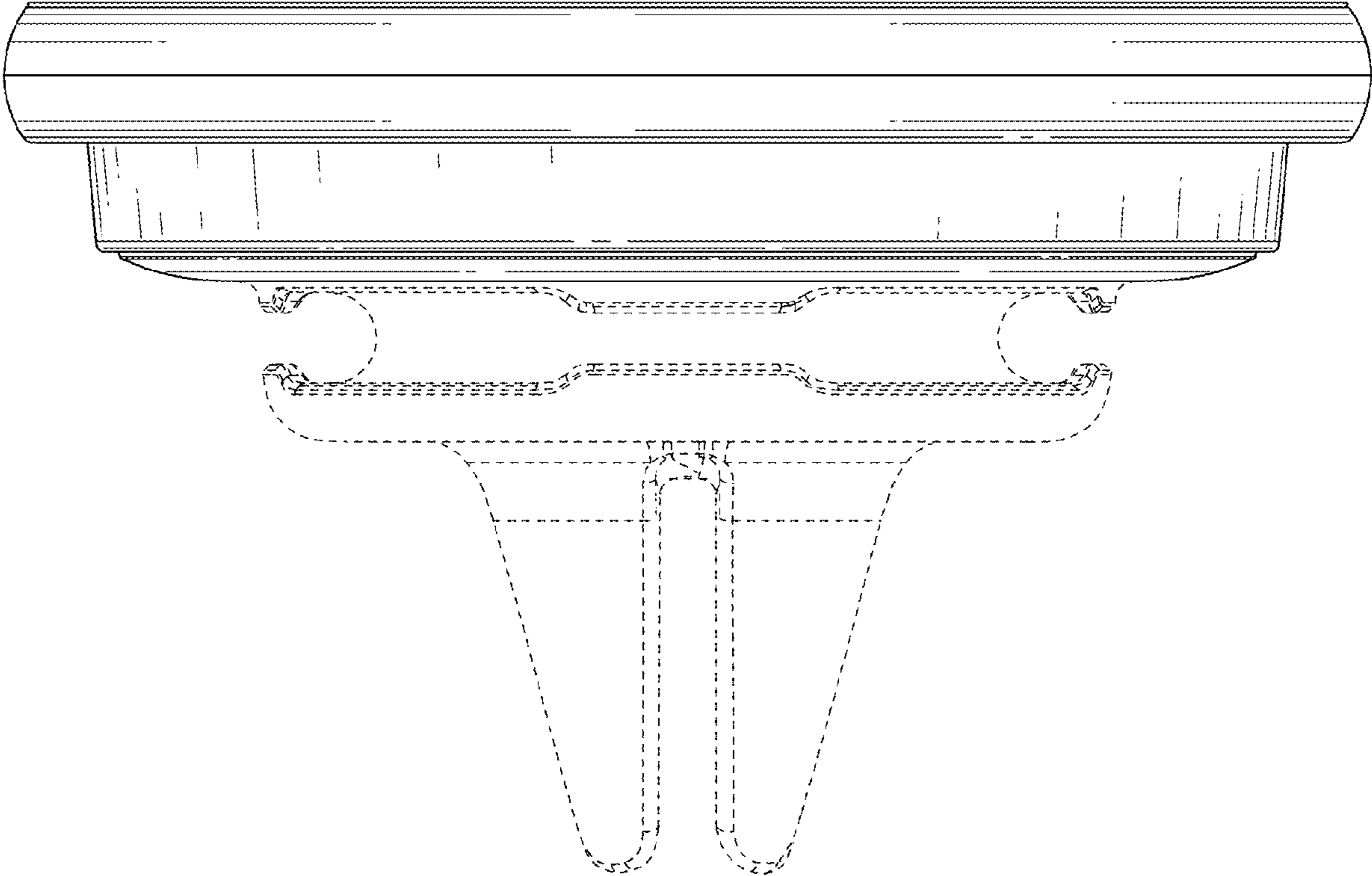


FIG. 8