



US00D967809S

(12) **United States Design Patent** (10) **Patent No.:** **US D967,809 S**
Akana et al. (45) **Date of Patent:** **** Oct. 25, 2022**

(54) **MOUNT FOR AN ELECTRONIC DEVICE**

(71) Applicant: **Apple Inc.**, Cupertino, CA (US)

(72) Inventors: **Jody Akana**, San Francisco, CA (US); **Molly Anderson**, San Francisco, CA (US); **Bartley K. Andre**, Palo Alto, CA (US); **Shota Aoyagi**, San Francisco, CA (US); **Anthony Michael Ashcroft**, San Francisco, CA (US); **Marine C. Bataille**, San Francisco, CA (US); **Jeremy Bataillou**, San Francisco, CA (US); **Abidur Chowdhury**, San Francisco, CA (US); **Markus Diebel**, San Francisco, CA (US); **Daniele De Iuliis**, San Francisco, CA (US); **M. Evans Hankey**, San Francisco, CA (US); **Julian Hoenig**, San Francisco, CA (US); **Richard P. Howarth**, San Francisco, CA (US); **Jonathan P. Ive**, San Francisco, CA (US); **Julian Jaede**, San Francisco, CA (US); **Duncan Robert Kerr**, San Francisco, CA (US); **Peter Russell-Clarke**, San Francisco, CA (US); **Benjamin Andrew Shaffer**, San Jose, CA (US); **Mikael Silvanto**, San Francisco, CA (US); **Joe Sung-Ho Tan**, San Francisco, CA (US); **Clement Tissandier**, San Francisco, CA (US); **Eugene Antony Whang**, San Francisco, CA (US); **Rico Zörkendörfer**, San Francisco, CA (US)

(73) Assignee: **Apple Inc.**, Cupertino, CA (US)

(**) Term: **15 Years**

(21) Appl. No.: **29/798,753**

(22) Filed: **Jul. 9, 2021**

Related U.S. Application Data

(63) Continuation of application No. 29/693,306, filed on May 31, 2019, now Pat. No. Des. 927,502.

(51) **LOC (13) Cl.** 14-01

(52) **U.S. Cl.**
USPC **D14/229**

(58) **Field of Classification Search**
USPC D14/371-382, 125-129, 335-337, D14/447-452, 492, 376-382, 239, 229, D14/457, 439-441, 432, 251-253; D8/349, 354, 363, 373, 376, 380; 348/180, 184, 325, 739, 825; D12/407, D12/415; D3/218; 341/12; D13/108
(Continued)

(56) **References Cited**

U.S. PATENT DOCUMENTS

2,896,901 A * 7/1959 Levy F21V 21/30
248/278.1
6,079,682 A * 6/2000 Olkkola B60R 11/0241
248/292.12

(Continued)

Primary Examiner — Katie Jane Stofko

(74) *Attorney, Agent, or Firm* — Saidman DesignLaw Group, LLC

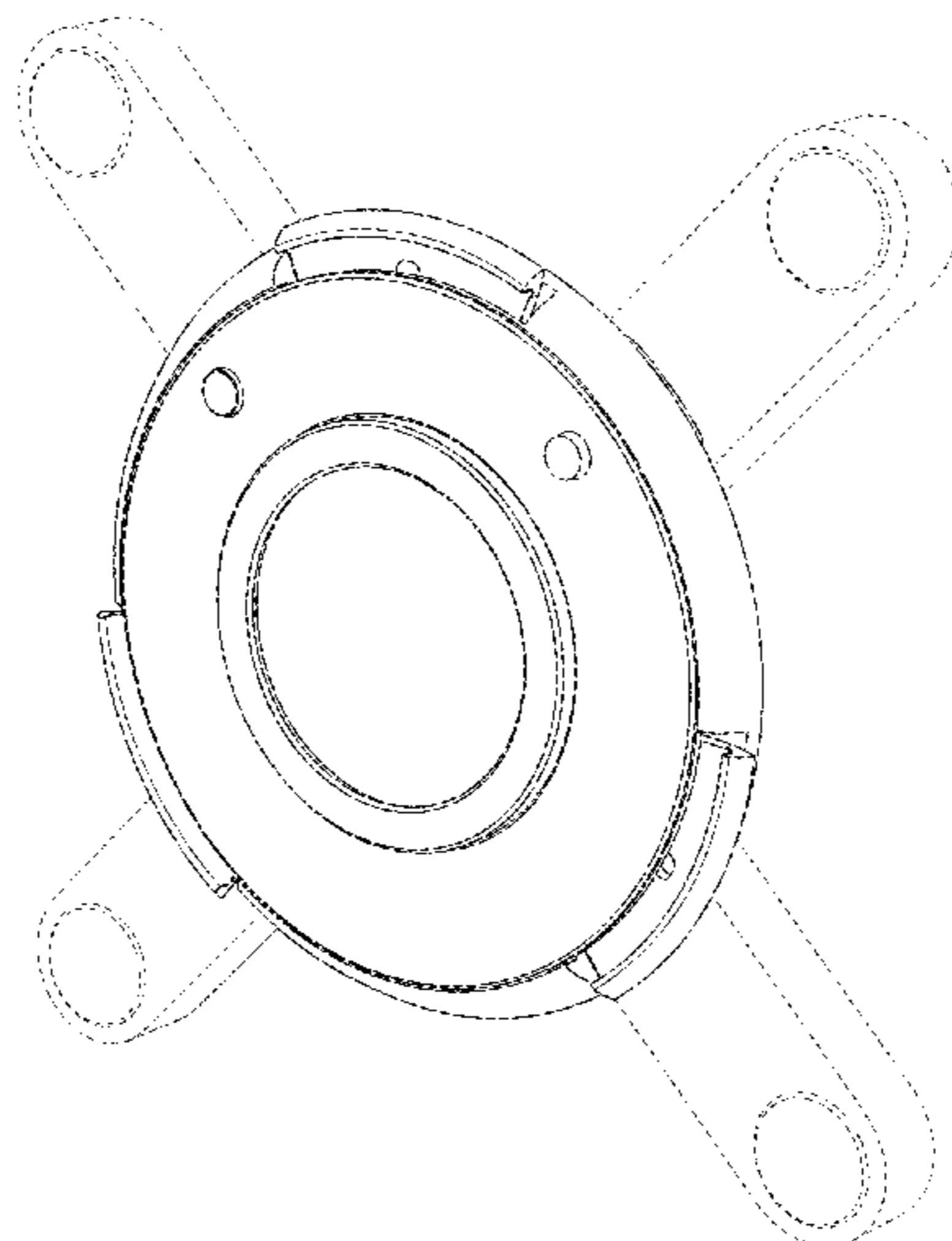
(57) **CLAIM**

The ornamental design for a mount for an electronic device, as shown and described.

DESCRIPTION

FIG. 1 is a front perspective view of a mount for an electronic device showing our new design;
FIG. 2 is a front view thereof;
FIG. 3 is a rear view thereof;
FIG. 4 is a right side view, the left side view being a mirror image thereof;
FIG. 5 is a top view thereof;
FIG. 6 is a bottom view thereof; and,
FIG. 7 is a rear perspective view thereof.
The broken lines illustrate structure or features which form no part of the claimed design.

1 Claim, 6 Drawing Sheets



US D967,809 S

(58) **Field of Classification Search**

CPC G06F 3/0412; G06F 3/016; G06F 3/0488;
G06F 3/011; G06F 3/038; G06F 3/03543;
G06F 3/0338; G06F 3/0202; G06F
3/0219; G06F 3/0213; G06F 1/1616;
G06F 3/023; G06F 3/04883; G02F
1/13338; G02F 1/1313; G02F 1/1333;
G02F 1/135; G02F 1/132; G02F
1/133308; G02F 1/134309; G02F
1/13718; G09G 3/3648; G06K 15/1252;
B41J 2/465; G03F 7/70291; G02B
27/0172; G02B 5/30; G02B 2027/0118;
G02B 27/0101; F16M 13/02; F16M
13/00; F16M 11/10; F16M 11/04; F16M
2200/08; F16M 11/2021; A47B 21/0314;
A47B 88/044; A47B 2021/0335; H02G
3/126; F16B 47/00; F16B 47/006; A47G
1/17; A47K 2201/00

See application file for complete search history.

(56) **References Cited**

U.S. PATENT DOCUMENTS

D443,262 S * 6/2001 Caren D14/224

D505,671 S * 5/2005 Dayan D14/216
D536,603 S 2/2007 Worrall et al.
D565,938 S 4/2008 Massoumi et al.
D568,144 S 5/2008 Wohlford et al.
D576,633 S 9/2008 Muday et al.
D624,055 S * 9/2010 Lazzeroni D14/221
D637,593 S 5/2011 Zanetti
D641,610 S 7/2011 Sedalo
D652,836 S 1/2012 Voorhees
D658,040 S 4/2012 Ghatikar et al.
D669,481 S 10/2012 Prescott et al.
D673,960 S 1/2013 Lindfield et al.
D714,629 S * 10/2014 Irgens D8/394
D715,622 S 10/2014 Qu
D721,573 S 1/2015 Fievet
D826,906 S * 8/2018 Lasnier de Lavalette D8/349
D832,087 S 10/2018 Fievet et al.
D833,266 S * 11/2018 Barbara D8/356
D901,483 S * 11/2020 Kory D8/382
D911,155 S * 2/2021 Kondo D8/382
D916,516 S * 4/2021 Glahe D6/574
D921,474 S * 6/2021 Borst D8/349
D945,869 S * 3/2022 Painter D8/382

* cited by examiner

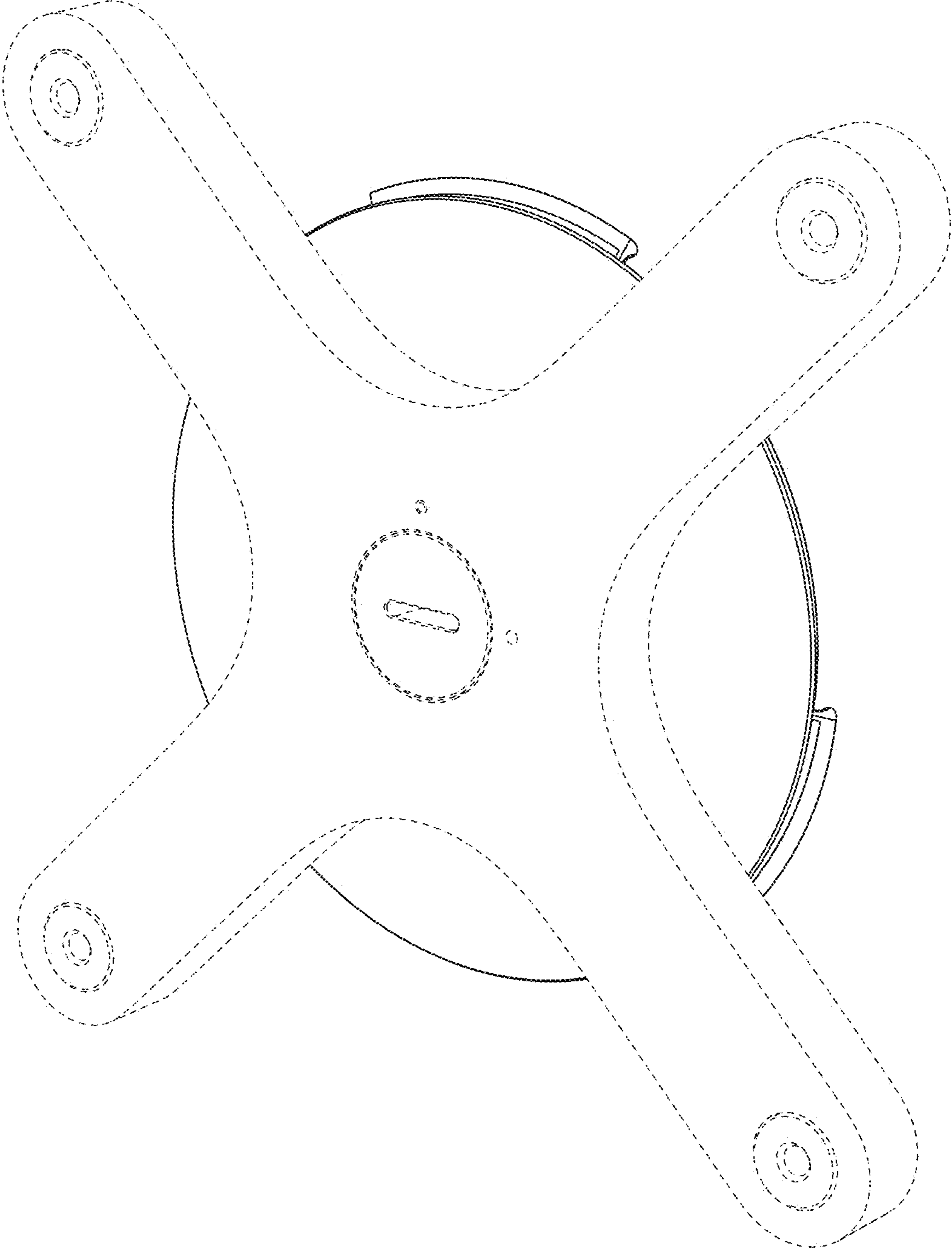


FIG. 1

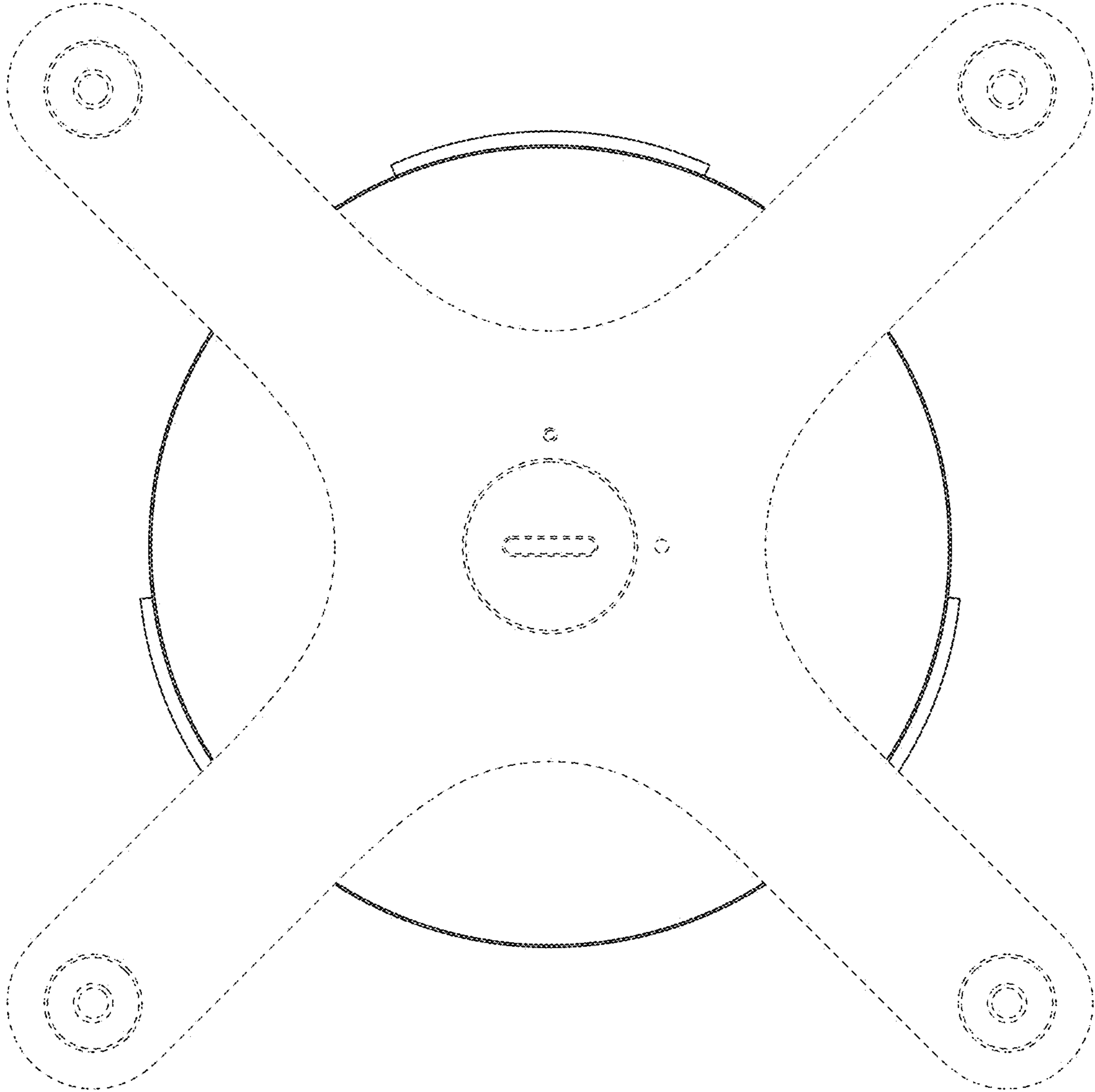


FIG. 2

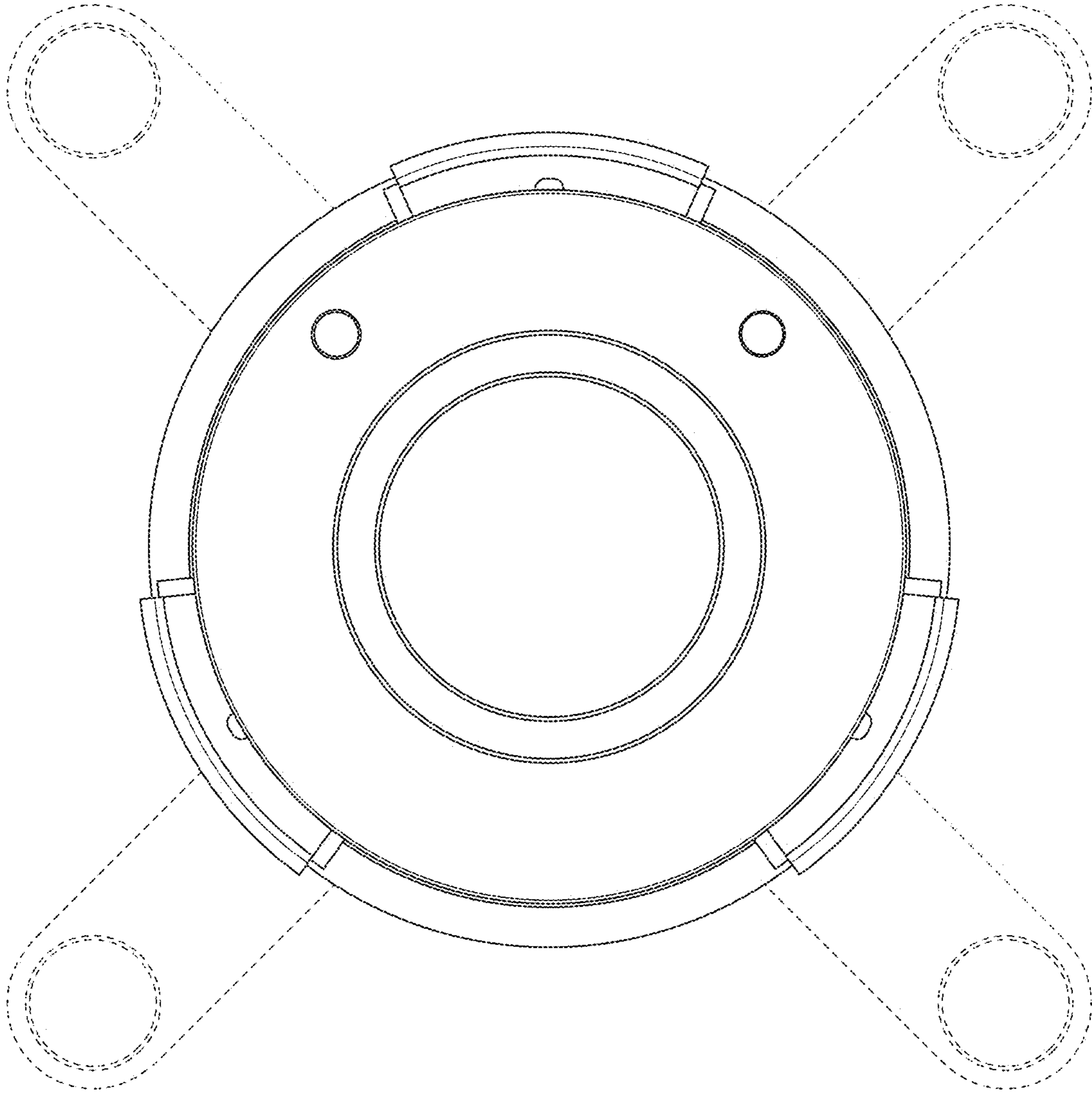


FIG. 3

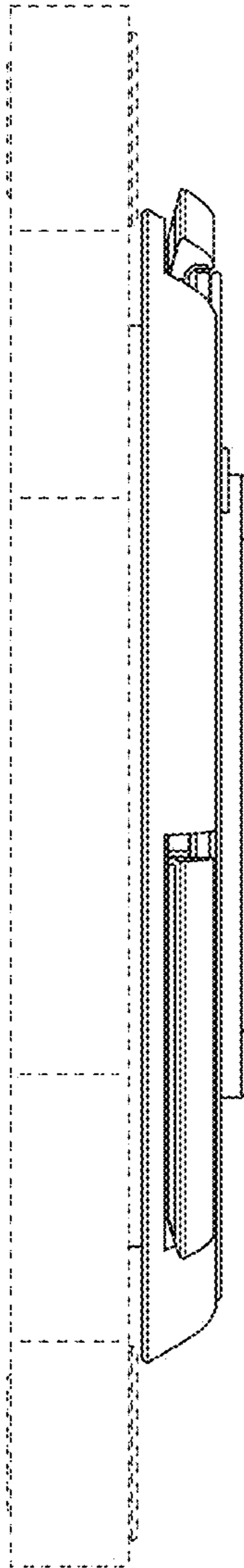


FIG. 4

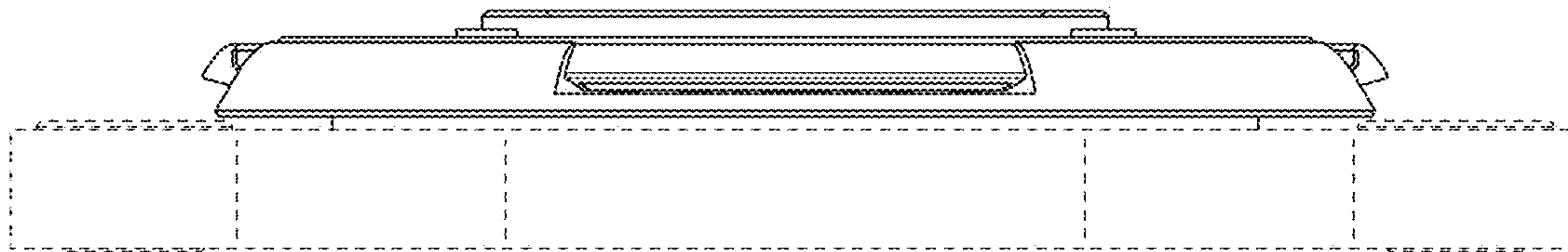


FIG. 5

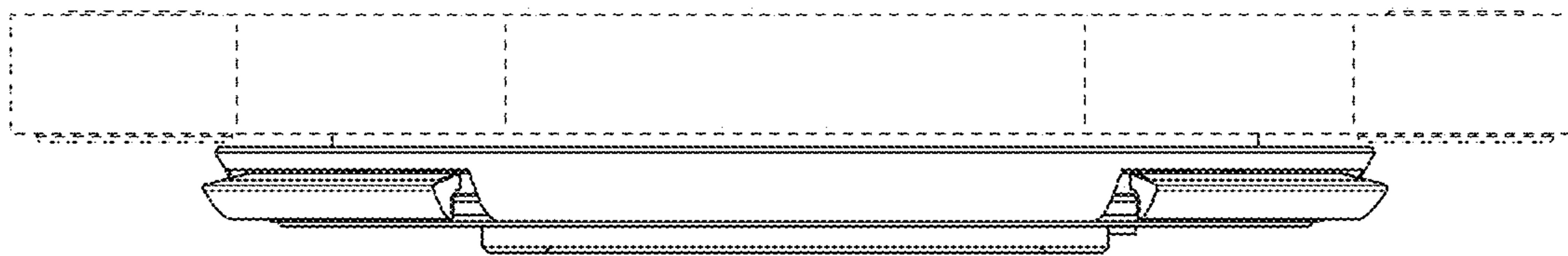


FIG. 6

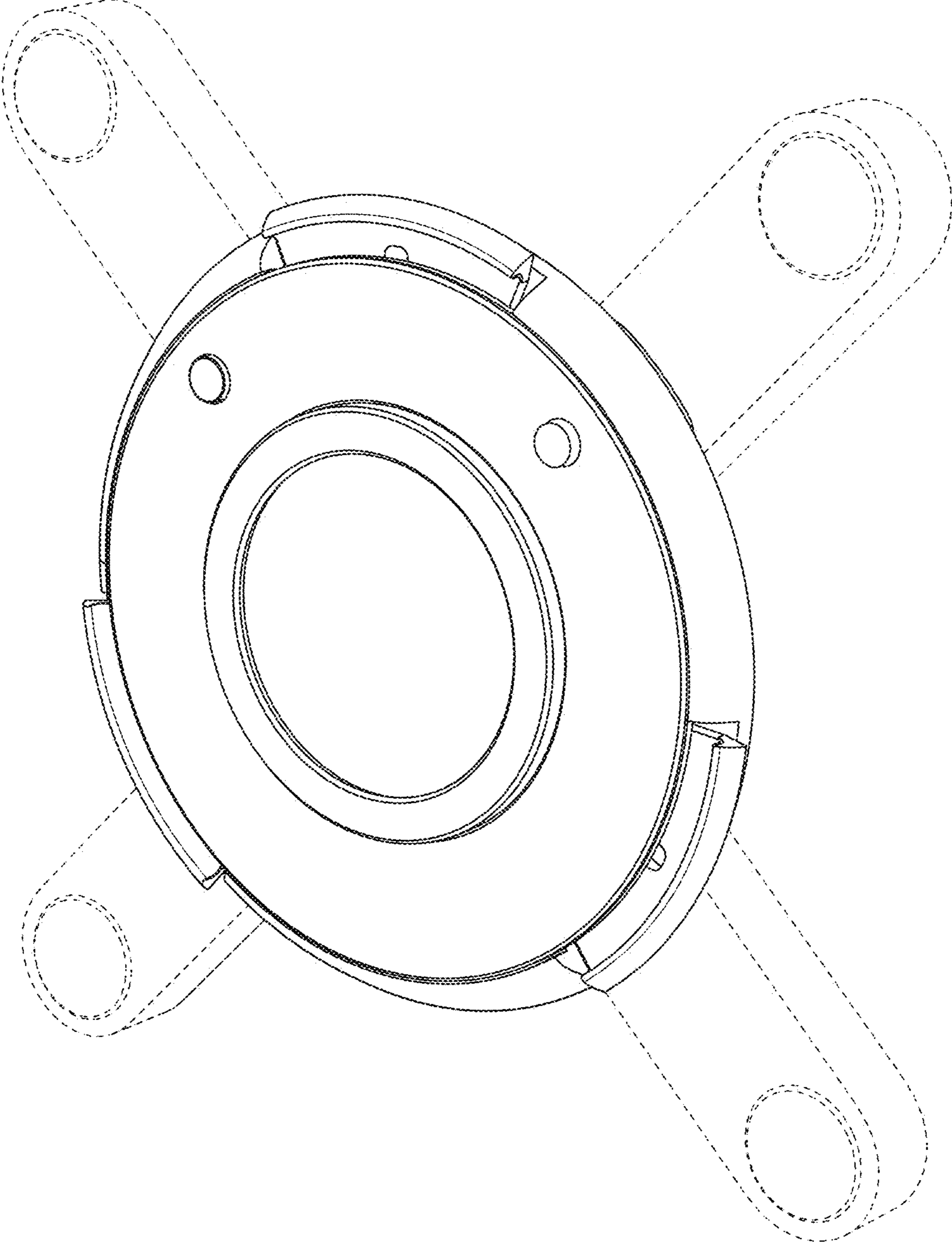


FIG. 7