



US00D967807S

(12) **United States Design Patent** (10) **Patent No.:** **US D967,807 S**
Lyu (45) **Date of Patent:** **** Oct. 25, 2022**

(54) **EARPHONE**
(71) Applicant: **Bo Lyu, Wuhan (CN)**
(72) Inventor: **Bo Lyu, Wuhan (CN)**
(**) Term: **15 Years**
(21) Appl. No.: **29/843,527**
(22) Filed: **Jun. 22, 2022**
(51) **LOC (13) Cl.** **14-01**
(52) **U.S. Cl.**
USPC **D14/223**
(58) **Field of Classification Search**
USPC D14/223, 205; D24/174; 128/864-866;
D13/108; 381/380-381
CPC H04R 25/00; H04R 1/10; H04R 1/1066;
H04R 1/1016; H04R 5/033; H04R
5/0335; H04R 1/1083; H04R 1/105;
H04R 1/1091
See application file for complete search history.

(56) **References Cited**

U.S. PATENT DOCUMENTS

4,727,582 A * 2/1988 de Vries H04R 25/604
381/322
D395,653 S * 6/1998 Read D14/206
D447,743 S * 9/2001 Ma D14/223
D468,299 S * 1/2003 Boesen D14/223
D469,081 S * 1/2003 Perszyk D14/223
D470,121 S * 2/2003 Nguyen D14/223
D490,398 S * 5/2004 Gwee D14/205
D498,227 S * 11/2004 Dyer D14/223
D504,419 S * 4/2005 Bey D14/223
D504,673 S * 5/2005 Dyer D14/223
D506,462 S * 6/2005 Han D14/205
D506,994 S * 7/2005 Olson D14/223
D512,984 S * 12/2005 Ham D14/205
D539,266 S * 3/2007 Bentley D14/205
D541,787 S * 5/2007 Ma D14/205
7,262,992 B2 * 8/2007 Shibata H04R 25/505
257/316
D557,255 S * 12/2007 Shintani D14/206

D571,784 S * 6/2008 Jensen D14/205
D572,234 S * 7/2008 Reda D14/205
D584,719 S * 1/2009 Brennwald D14/223
7,480,388 B1 * 1/2009 Crook H04R 25/65
381/328
D586,329 S * 2/2009 Birger D14/205
D603,516 S * 11/2009 Mori D24/174
D604,419 S * 11/2009 Mori D24/174
7,648,005 B2 * 1/2010 Leong A61F 11/08
381/381
D609,699 S * 2/2010 Burnham D14/223
D611,933 S * 3/2010 Burnham D14/223
D612,834 S * 3/2010 Yang D14/206
D617,778 S * 6/2010 Birger D14/223

(Continued)

FOREIGN PATENT DOCUMENTS

EM 008741789-0002 * 10/2021
EM 009079833-0001 * 7/2022

Primary Examiner — Paula Allen Greene
(74) *Attorney, Agent, or Firm* — Jeenam Park

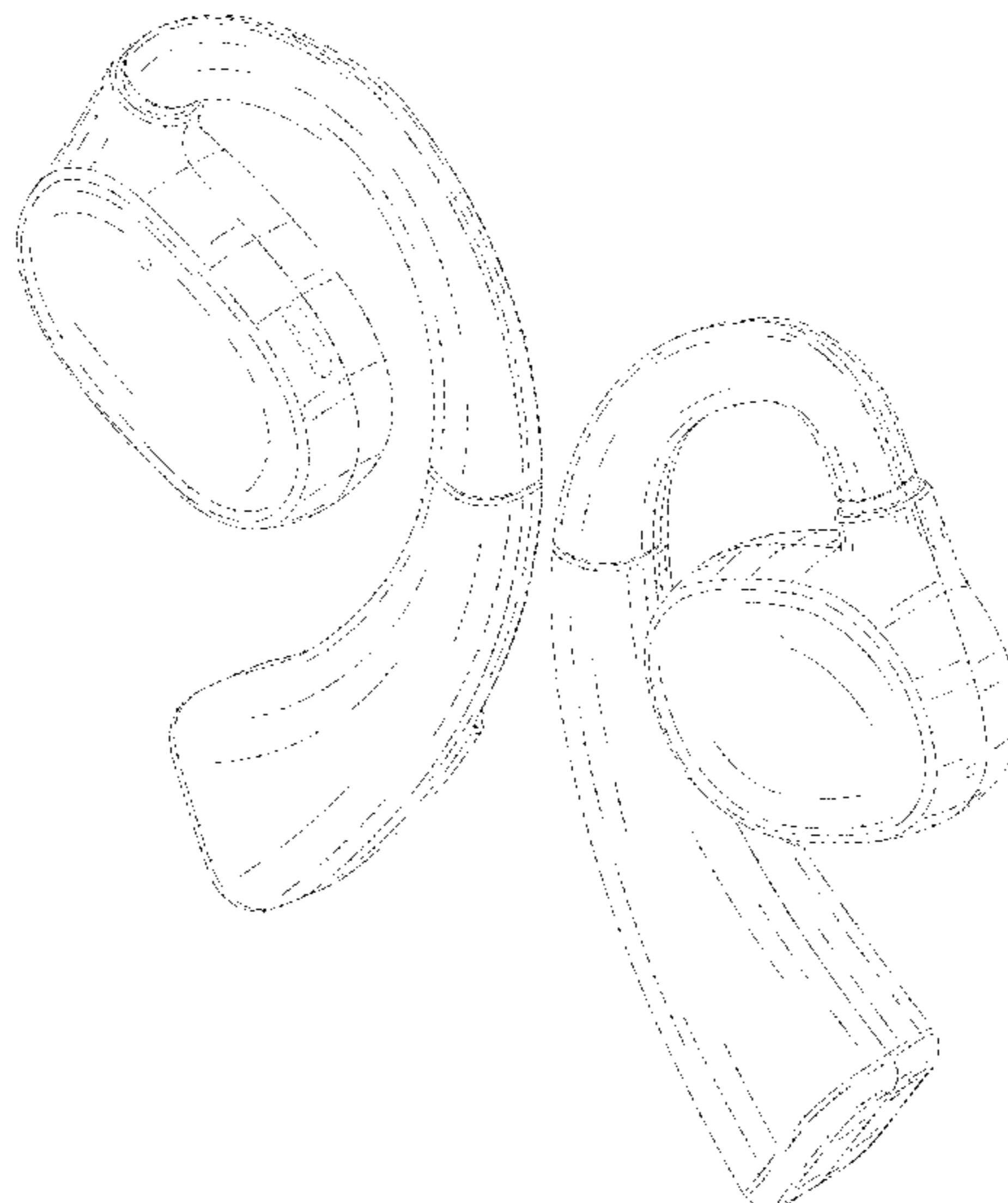
(57) **CLAIM**

The ornamental design for an earphone, as shown and described.

DESCRIPTION

FIG. 1 is a perspective view of an earphone, showing my new design;
FIG. 2 is another perspective view thereof;
FIG. 3 is a front view thereof;
FIG. 4 is a rear view thereof;
FIG. 5 is a left side view thereof;
FIG. 6 is a right side view thereof;
FIG. 7 is a top plan view thereof; and,
FIG. 8 is a bottom plan thereof.
The broken lines shown in the drawings illustrate portions of the earphone that form no part of the claimed design.

1 Claim, 8 Drawing Sheets



(56)

References Cited

U.S. PATENT DOCUMENTS

D625,297 S * 10/2010 Tseng D14/223
8,019,092 B2 * 9/2011 Yuan A61F 11/06
381/381
8,655,005 B2 * 2/2014 Birger H04R 1/1091
381/381
D834,003 S 11/2018 Maeda
D853,360 S 7/2019 Kawabata
D853,992 S * 7/2019 Kuh D24/174
D885,370 S * 5/2020 Hu D14/223
D922,983 S * 6/2021 Fustino D14/223
D939,476 S * 12/2021 Lee D14/223
2004/0264720 A1 * 12/2004 Huang H04R 1/105
381/381
2007/0223765 A1 * 9/2007 Wang H04R 1/1066
381/381
2007/0269065 A1 * 11/2007 Kilsgaard H04R 25/558
381/314

* cited by examiner

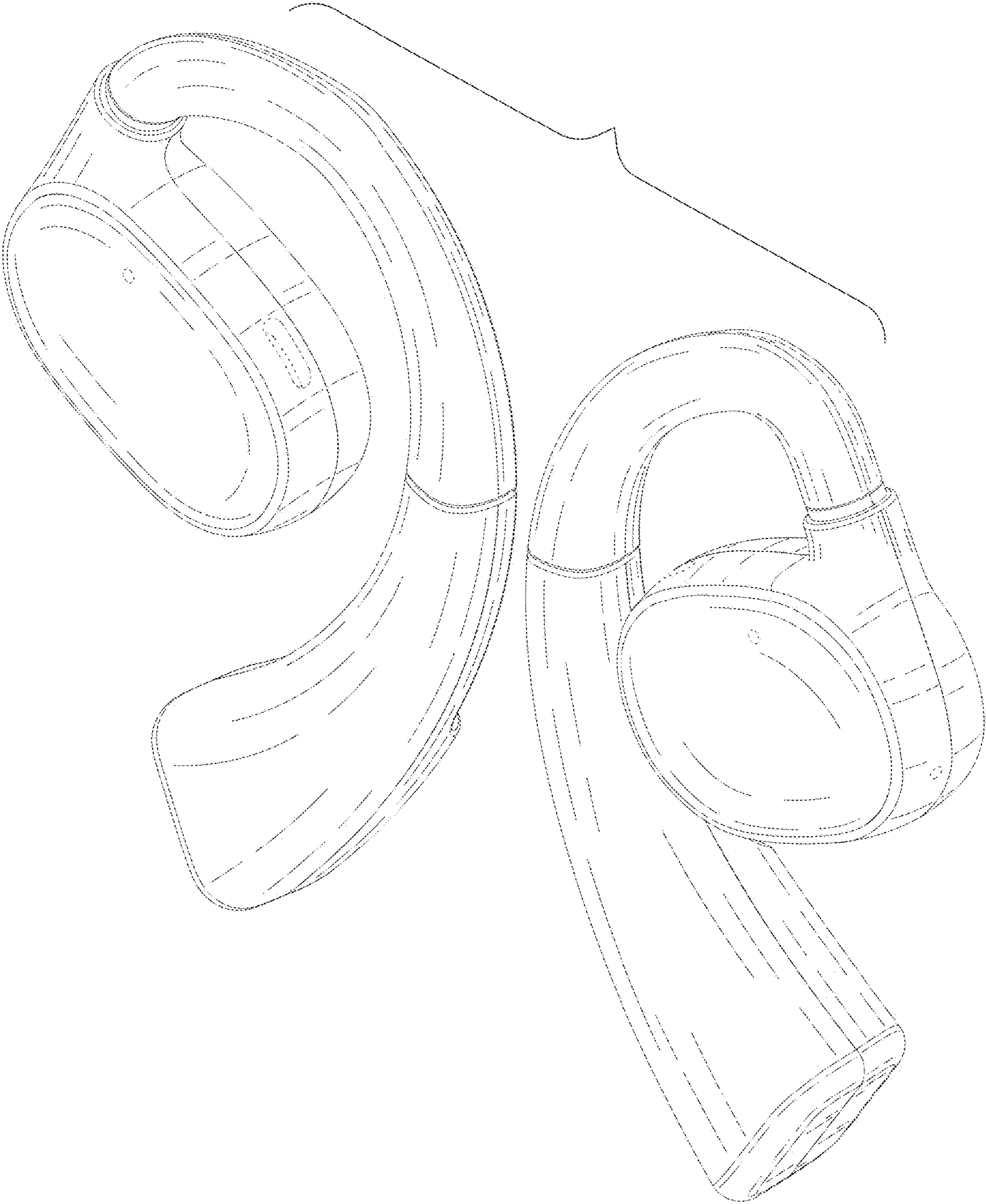


FIG. 1

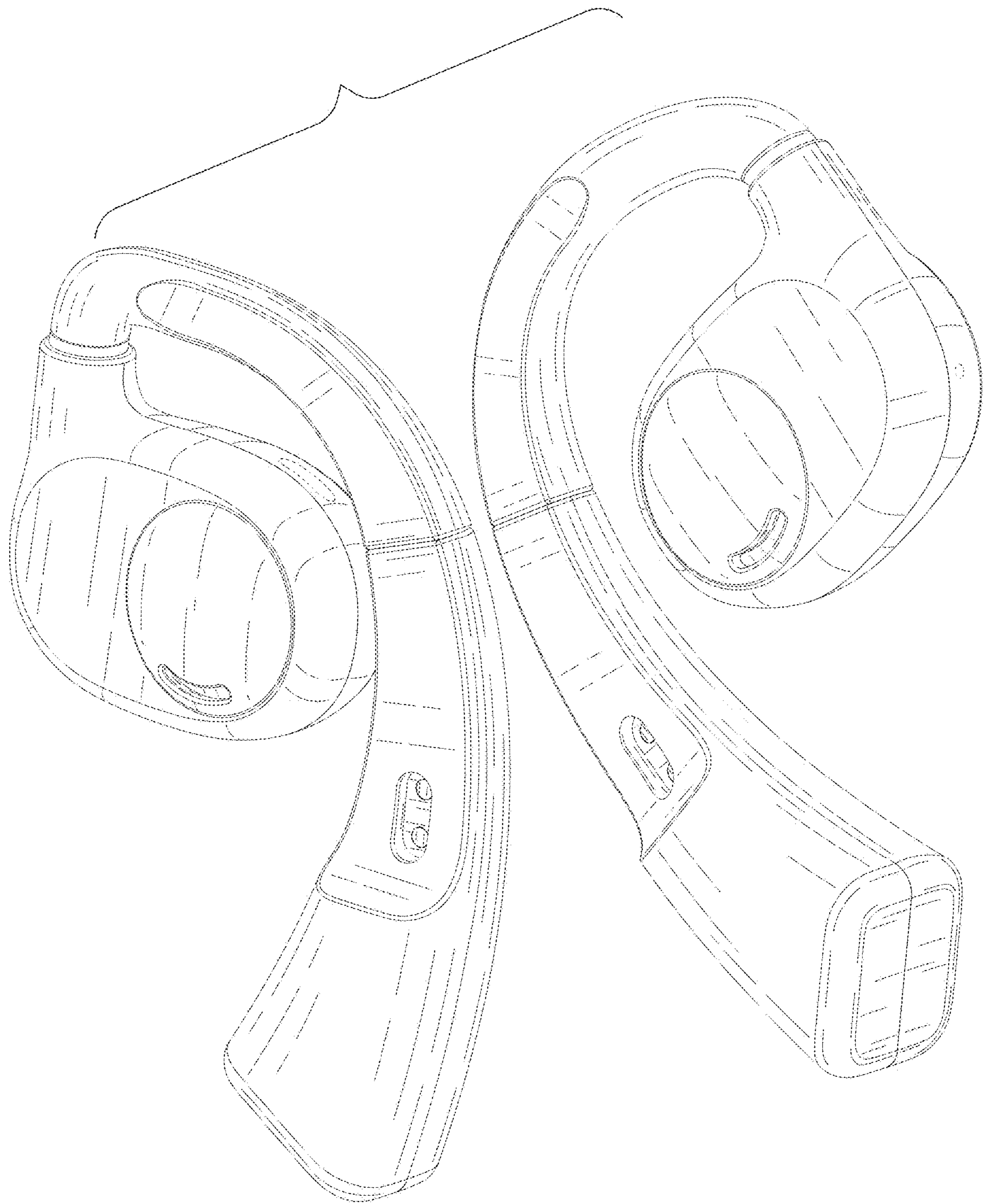


FIG. 2

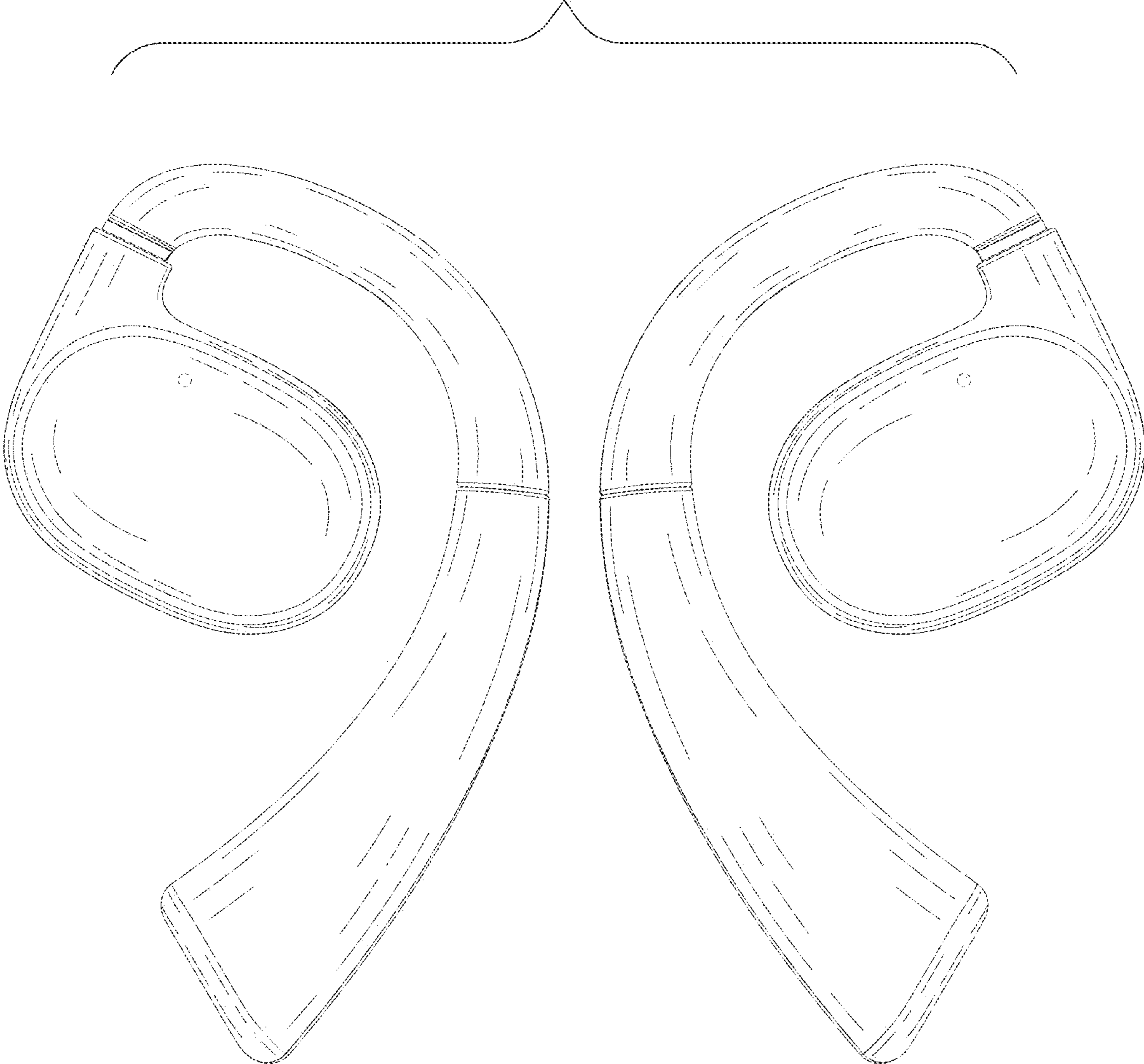


FIG. 3

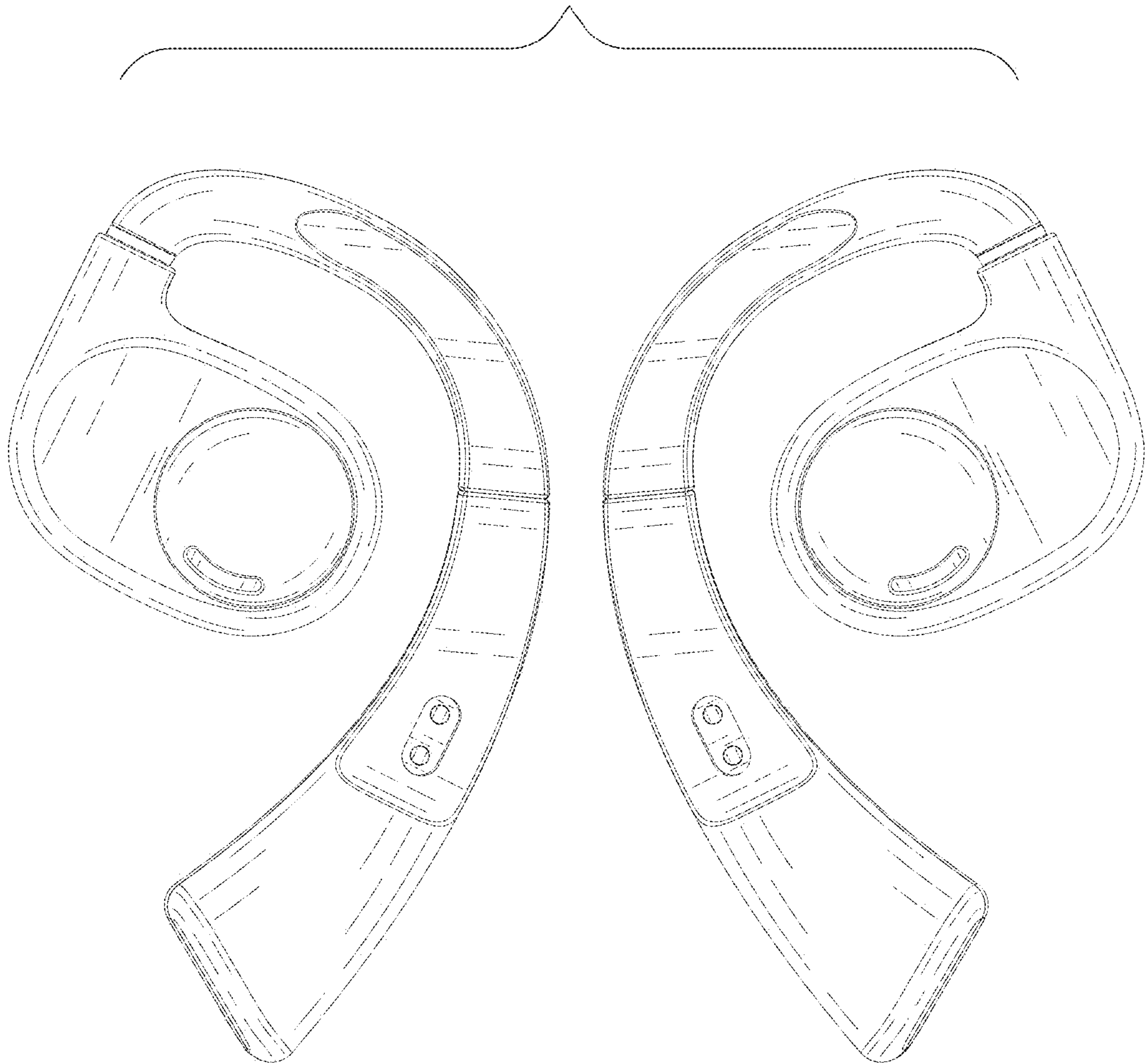


FIG. 4

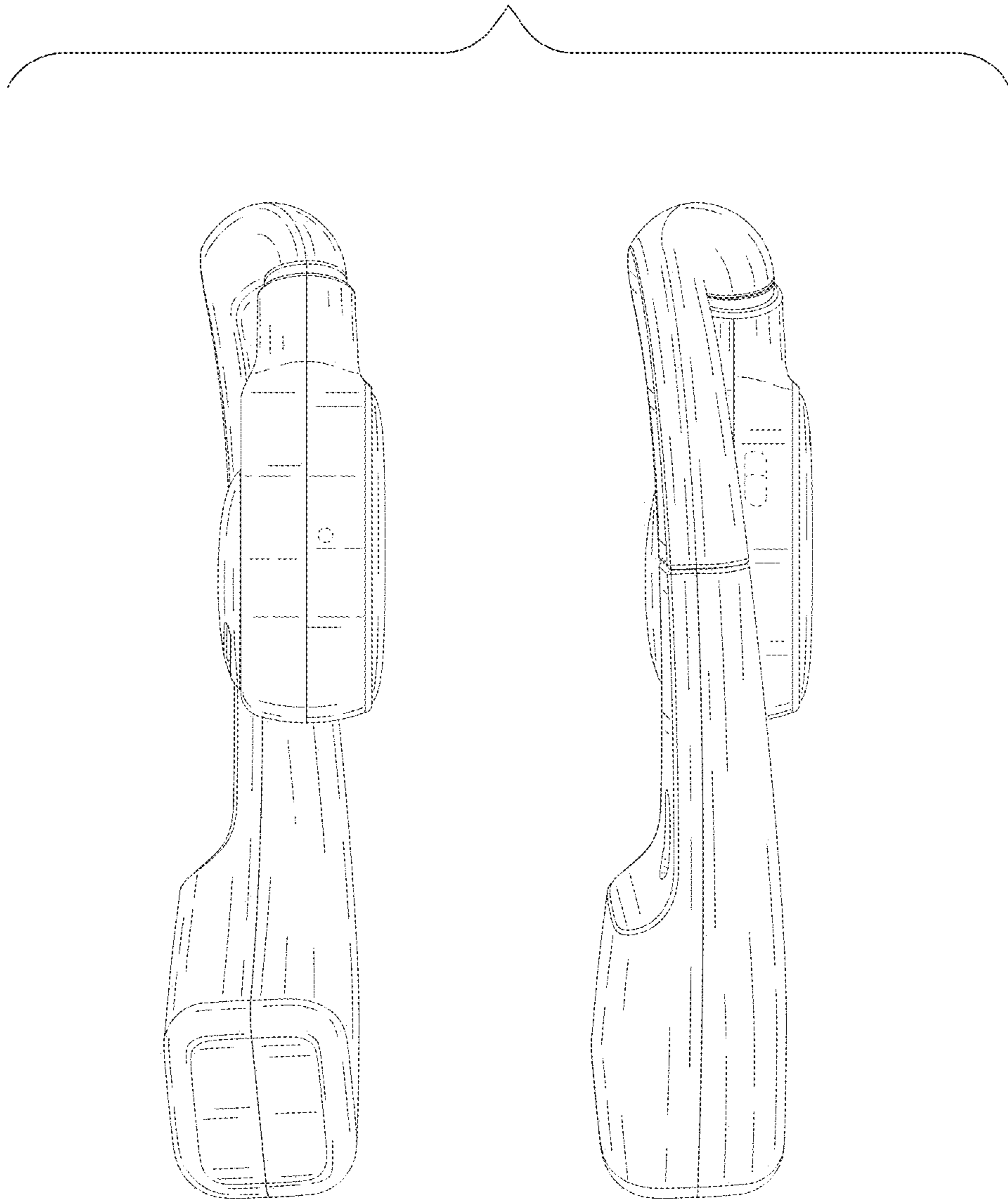


FIG. 5

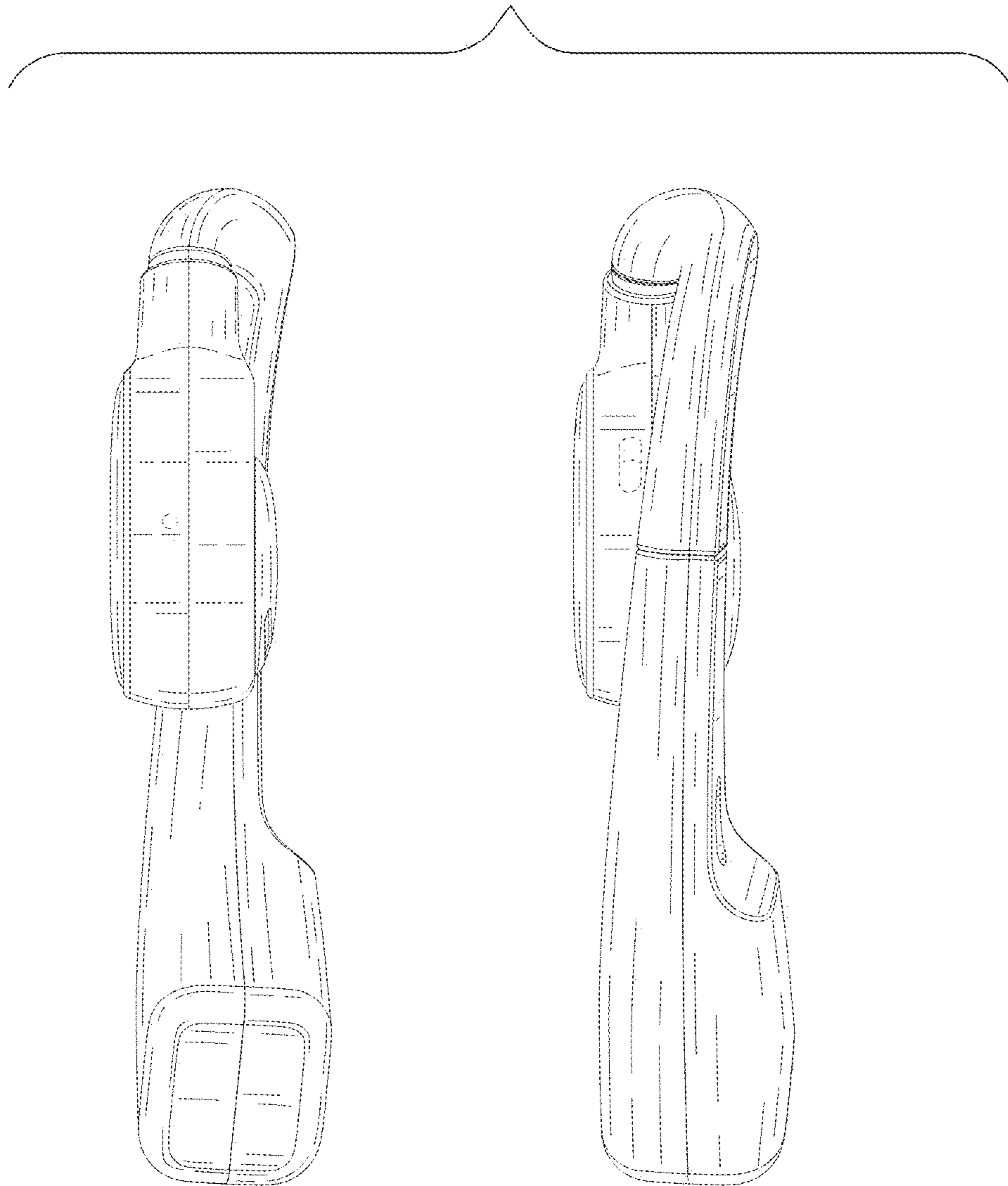


FIG. 6

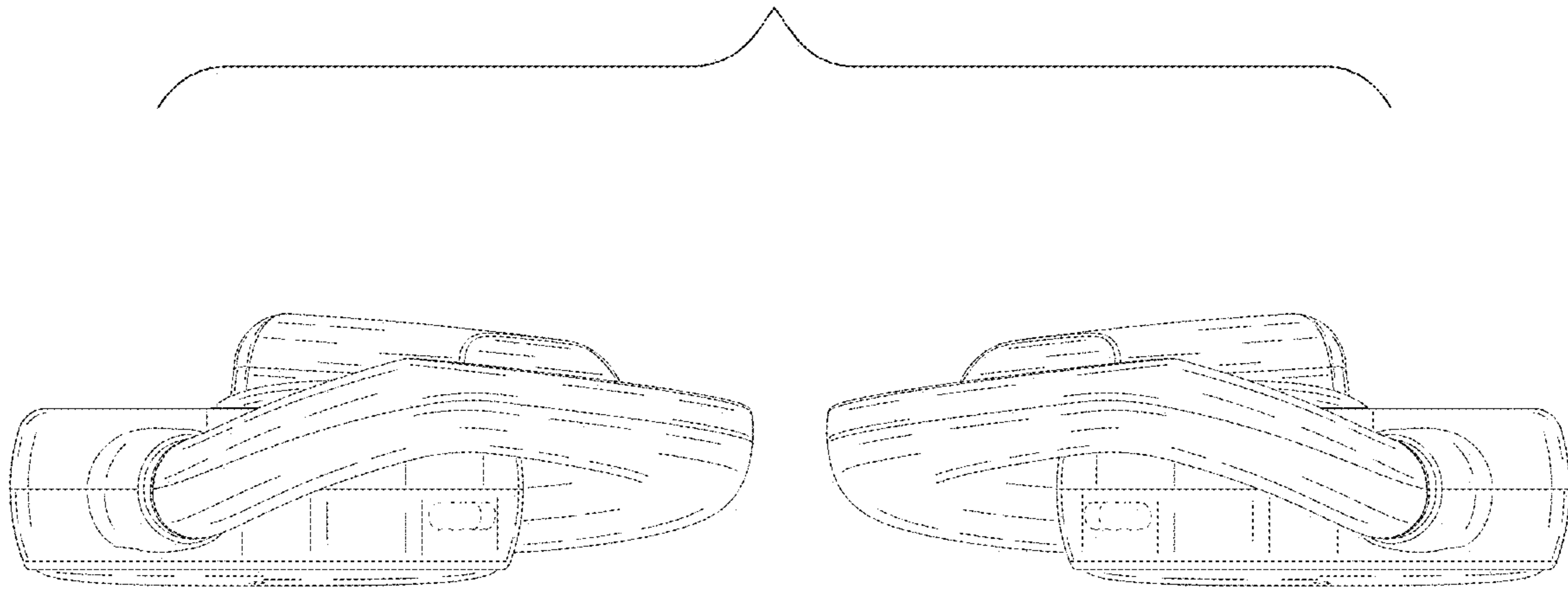


FIG. 7

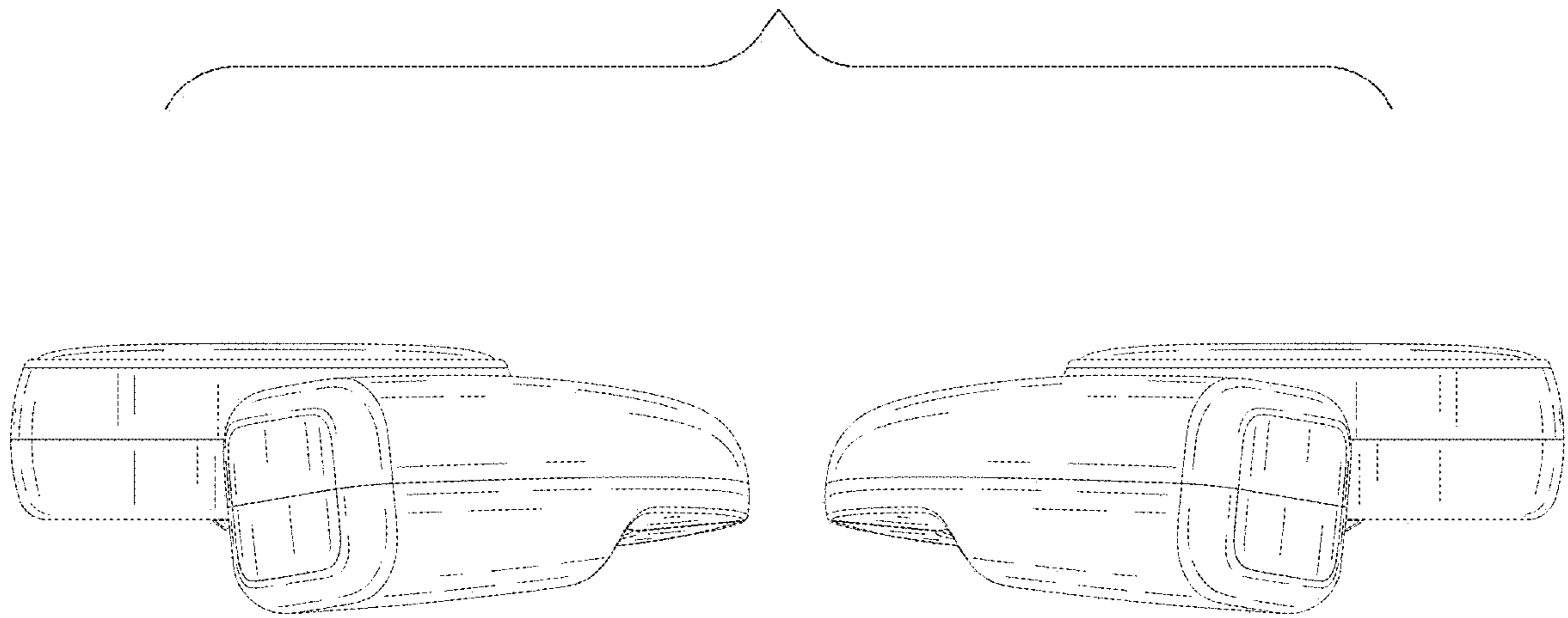


FIG. 8