



US00D967806S

(12) **United States Design Patent** (10) **Patent No.:** **US D967,806 S**
Cai (45) **Date of Patent:** **** Oct. 25, 2022**

(54) **EARPHONE**

(71) Applicant: **Jintian Cai**, Maoming (CN)

(72) Inventor: **Jintian Cai**, Maoming (CN)

(**) Term: **15 Years**

(21) Appl. No.: **29/836,536**

(22) Filed: **Apr. 27, 2022**

(51) **LOC (13) Cl.** **14-01**

(52) **U.S. Cl.**
USPC **D14/223**

(58) **Field of Classification Search**
USPC D14/223, 205; D24/174; 128/864-866;
381/380-381
CPC H04R 25/00; H04R 1/10; H04R 1/1066;
H04R 1/1016; H04R 5/033; H04R
5/0335; H04R 1/1083; H04R 1/105;
H04R 1/1091; H04R 1/1033
See application file for complete search history.

(56) **References Cited**

U.S. PATENT DOCUMENTS

D375,959 S *	11/1996	Davis	D14/206
D447,743 S *	9/2001	Ma	D14/223
D460,436 S *	7/2002	Bjorklund	D14/205
D469,422 S *	1/2003	Nguyen	D14/205
D470,129 S *	2/2003	Hlas	D14/223
D474,178 S *	5/2003	Eroma	D14/223
D498,227 S *	11/2004	Dyer	D14/223
D501,196 S *	1/2005	Dyer	D14/223
D504,672 S *	5/2005	Hirano	D14/223
D510,085 S *	9/2005	Suzuki	D14/223
D515,069 S *	2/2006	Naito	D14/205
D518,816 S *	4/2006	Naito	D14/205
D542,267 S *	5/2007	Cha	D14/206
D543,968 S *	6/2007	Wong	D14/223
D581,396 S *	11/2008	Wikel	D14/206
D582,897 S *	12/2008	Christopher	D14/223
D593,075 S *	5/2009	Williams	D14/223

D595,698 S *	7/2009	Guccione	D14/223
D597,084 S *	7/2009	Gondo	D14/223
D603,378 S *	11/2009	Paradise	D14/223
D603,847 S *	11/2009	Chung	D14/223
D604,722 S *	11/2009	Mistry	D14/223
D617,778 S *	6/2010	Birger	D14/223
D619,998 S *	7/2010	Birger	D14/223
D631,470 S *	1/2011	Yoneyama	D14/223
D635,960 S *	4/2011	Gondo	D14/223
8,090,135 B2 *	1/2012	Lin	H04R 1/083 381/381
D664,125 S *	7/2012	Koch	D14/223
D664,950 S *	8/2012	Rye	D14/223
D691,580 S *	10/2013	Cho	D14/205
D695,275 S *	12/2013	Chee	D14/223
8,655,005 B2 *	2/2014	Birger	H04R 1/1091 381/381

(Continued)

FOREIGN PATENT DOCUMENTS

EM	007809850-0001	*	4/2020
EM	008587679-0001	*	6/2021

Primary Examiner — Paula Allen Greene

(74) *Attorney, Agent, or Firm* — Jeenam Park

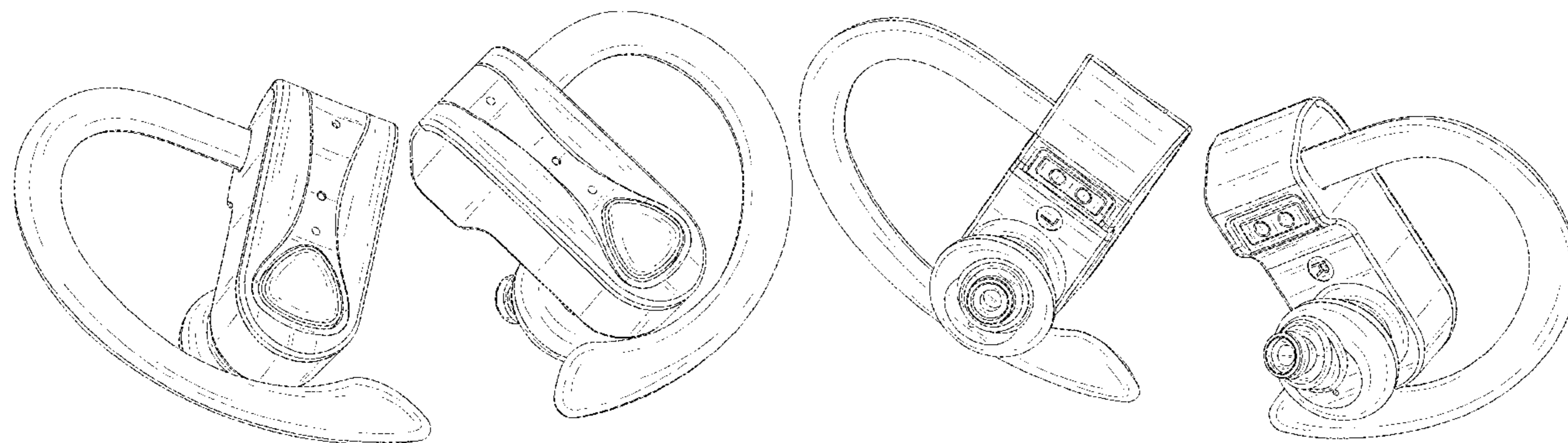
(57) **CLAIM**

The ornamental design for an earphone, as shown and described.

DESCRIPTION

FIG. 1 is a perspective view of an earphone, showing my new design;
FIG. 2 is another perspective view thereof;
FIG. 3 is a front view thereof;
FIG. 4 is a rear view thereof;
FIG. 5 is a left side view thereof;
FIG. 6 is a right side view thereof;
FIG. 7 is a top plan view thereof; and,
FIG. 8 is a bottom plan view thereof.

1 Claim, 8 Drawing Sheets



(56)

References Cited

U.S. PATENT DOCUMENTS

D710,333 S * 8/2014 Davies H04R 1/10
D14/223
D712,382 S * 9/2014 Brunner D14/223
D725,637 S * 3/2015 Nakajima D14/223
D743,945 S * 11/2015 Brunner D14/223
D761,770 S * 7/2016 Kanou D14/206
D775,610 S * 1/2017 Nakajima D14/223
D780,721 S * 3/2017 Brunner D14/223
D782,996 S * 4/2017 Zhu D14/205
D796,490 S * 9/2017 Lian D14/223
D801,952 S * 11/2017 Lian D14/223
D806,684 S * 1/2018 Tsai D14/223
D806,687 S * 1/2018 Rodriguez D14/223
D807,331 S * 1/2018 Morimoto D14/223
D810,053 S * 2/2018 Otani D14/223
D821,364 S * 6/2018 Brunner D14/223
D827,616 S * 9/2018 Lian D14/223
D834,003 S * 11/2018 Maeda D14/223
D838,692 S * 1/2019 Fu D14/223
D842,836 S * 3/2019 Ma D14/205
D843,344 S * 3/2019 Zhu D14/205
D853,360 S 7/2019 Kawabata
D855,588 S * 8/2019 Hao D14/223
D858,482 S * 9/2019 Ma D14/205
D863,265 S * 10/2019 Hu D14/223

10,477,307 B1 * 11/2019 Zhang H04R 1/44
D869,435 S * 12/2019 Sanhua D14/205
D871,375 S * 12/2019 Meyer D14/223
D873,246 S * 1/2020 Zhu D14/223
D873,789 S * 1/2020 Hu D14/223
D878,338 S * 3/2020 Yang D14/223
D881,850 S * 4/2020 Zhang D14/223
D883,259 S * 5/2020 Ma D14/206
D885,370 S * 5/2020 Hu D14/223
D885,372 S * 5/2020 Wang D14/223
D890,137 S * 7/2020 Ma D14/223
D907,608 S * 1/2021 Xie D14/223
D915,357 S * 4/2021 Gao D14/223
D928,123 S * 8/2021 Gao D14/223
D958,776 S * 7/2022 Brunner D14/223
2003/0012396 A1 * 1/2003 Smith H04R 1/105
381/381
2008/0232632 A1 * 9/2008 Liu H04M 1/05
381/381
2010/0166208 A1 * 7/2010 Kato H04R 1/1033
381/74
2011/0261988 A1 * 10/2011 Kromann H04R 1/1016
381/380
2018/0275950 A1 * 9/2018 Takagi A61M 21/00
2020/0100011 A1 * 3/2020 Bruss H04R 1/1016
2020/0154196 A1 * 5/2020 Kolton H04R 1/1066
2020/0314518 A1 * 10/2020 Hatfield H04R 1/1016

* cited by examiner

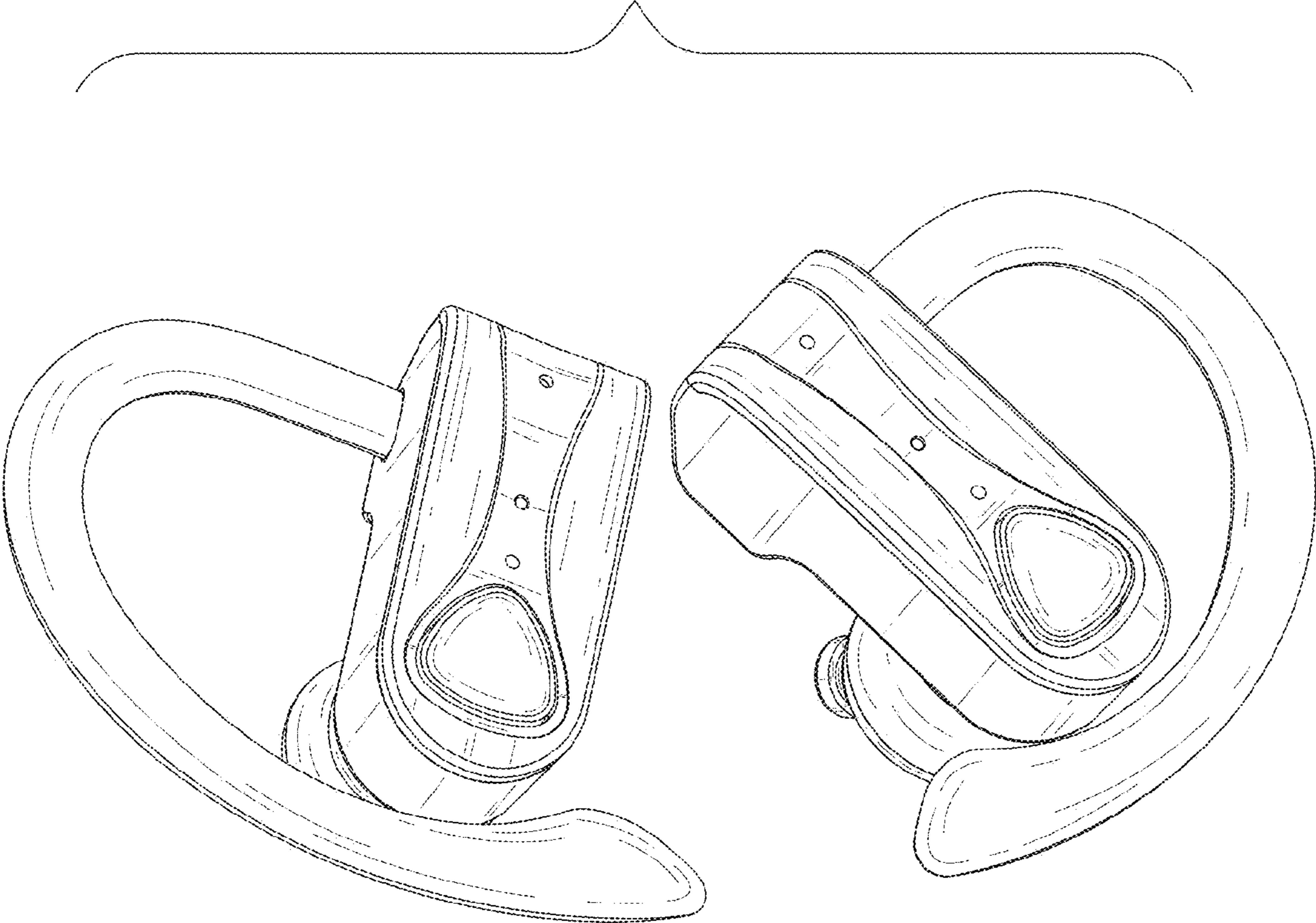


FIG. 1

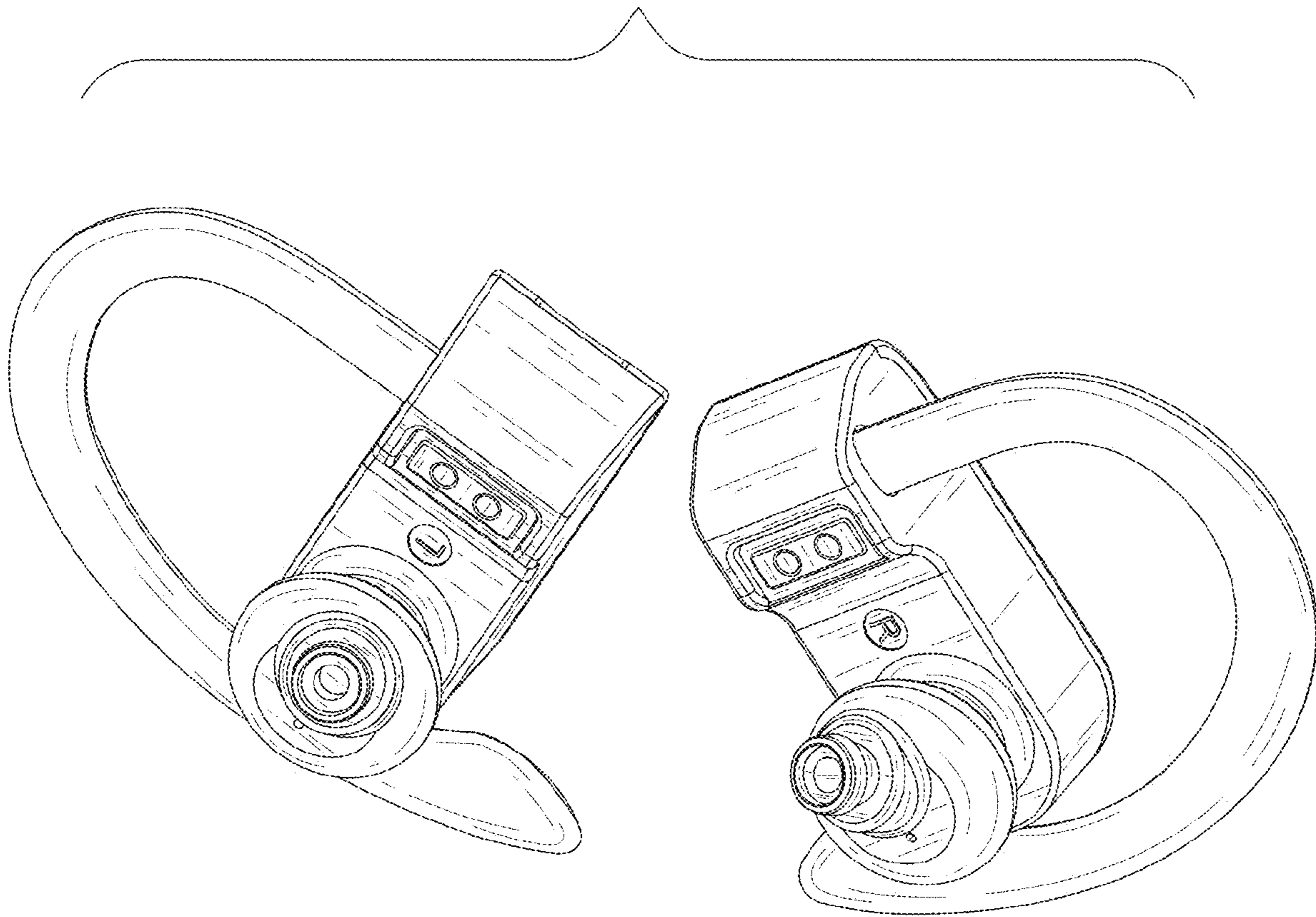


FIG. 2

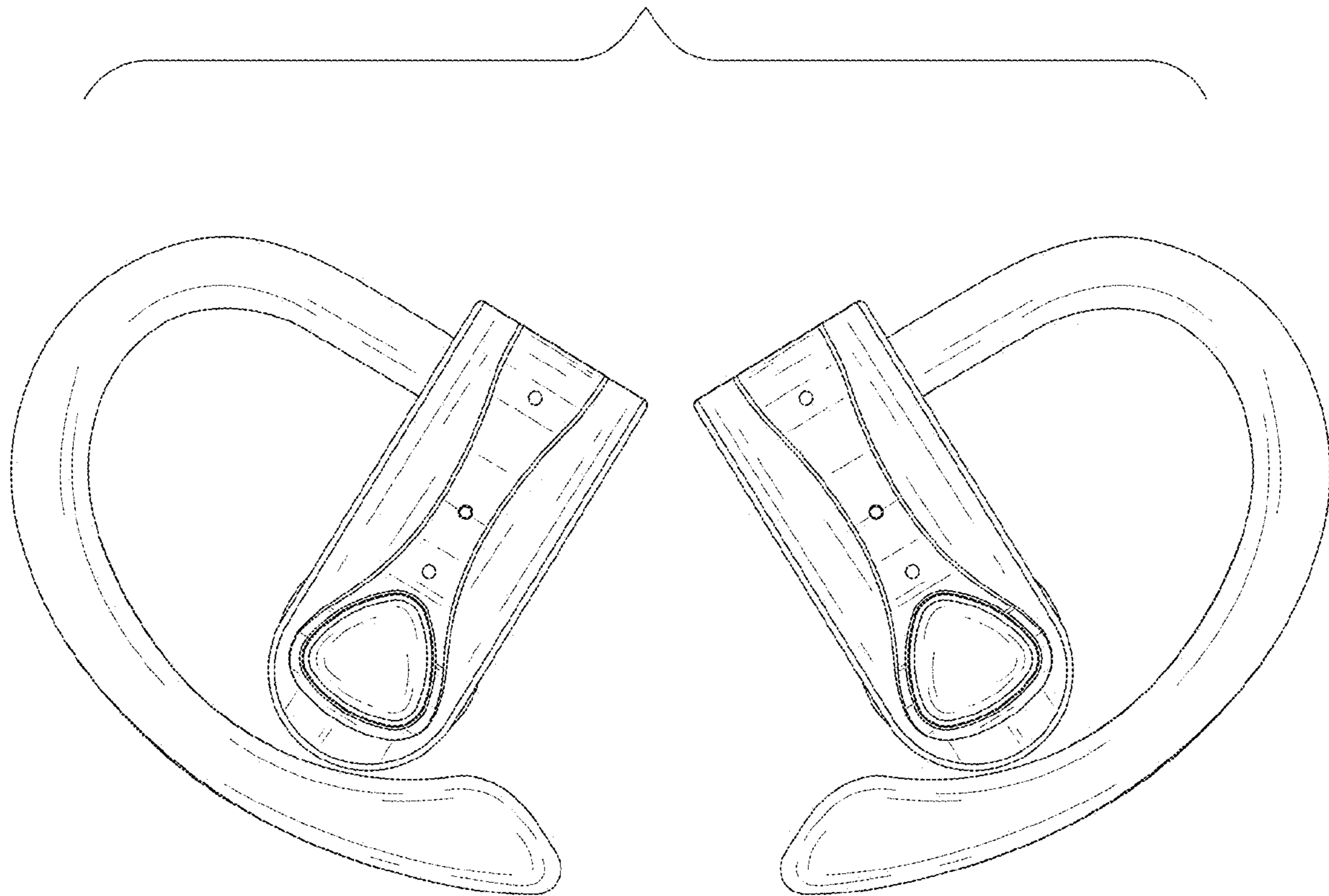


FIG. 3

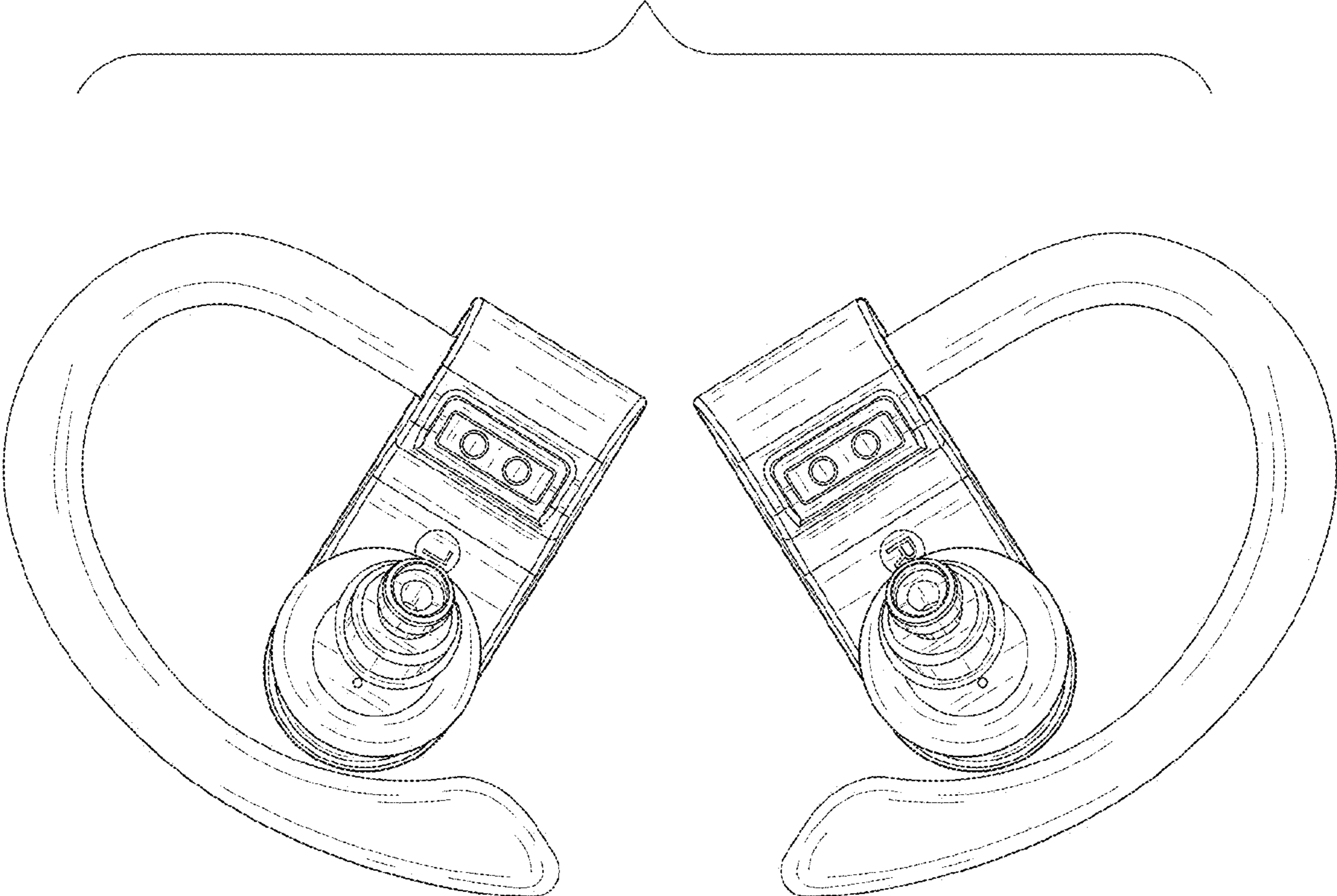


FIG. 4

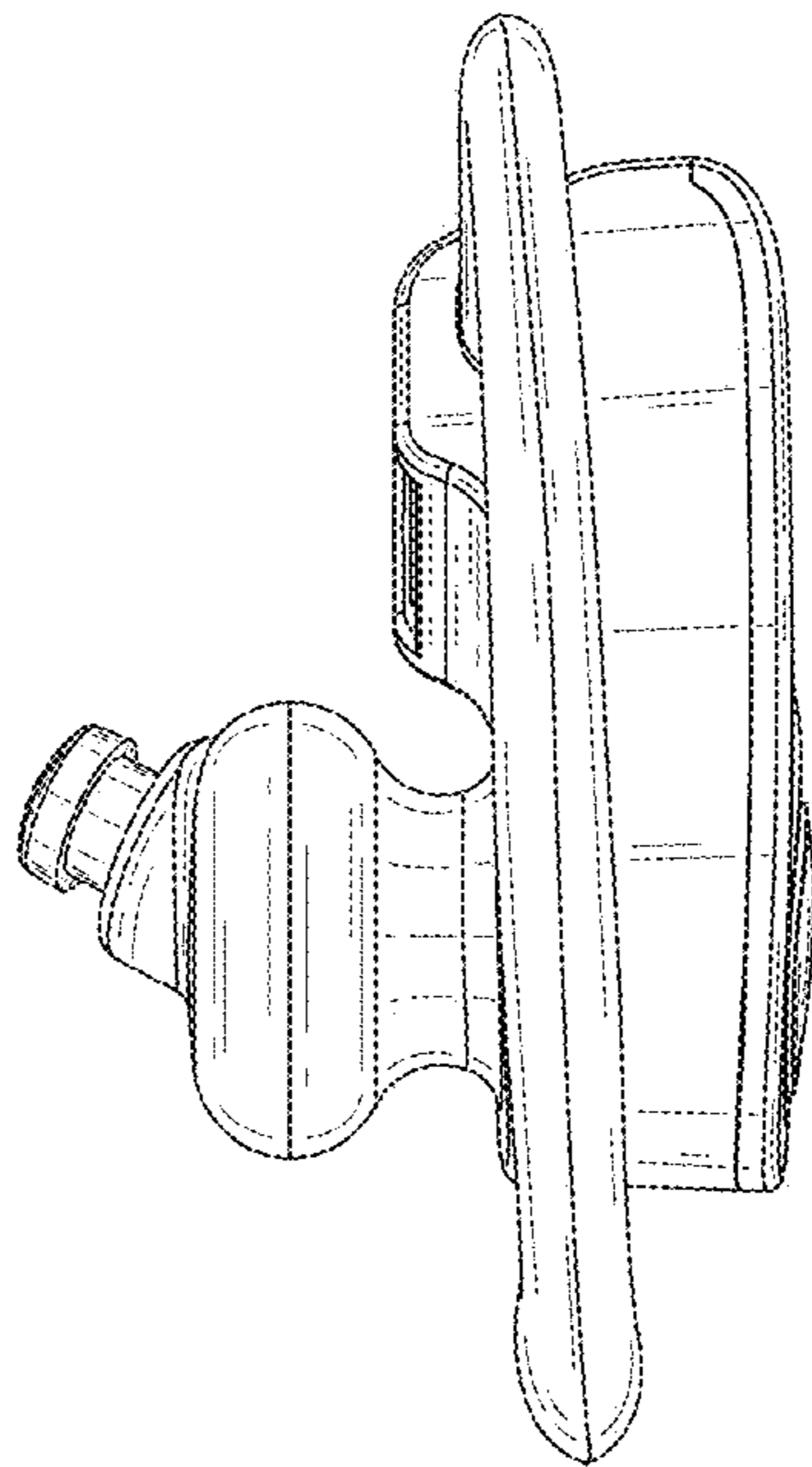


FIG. 5

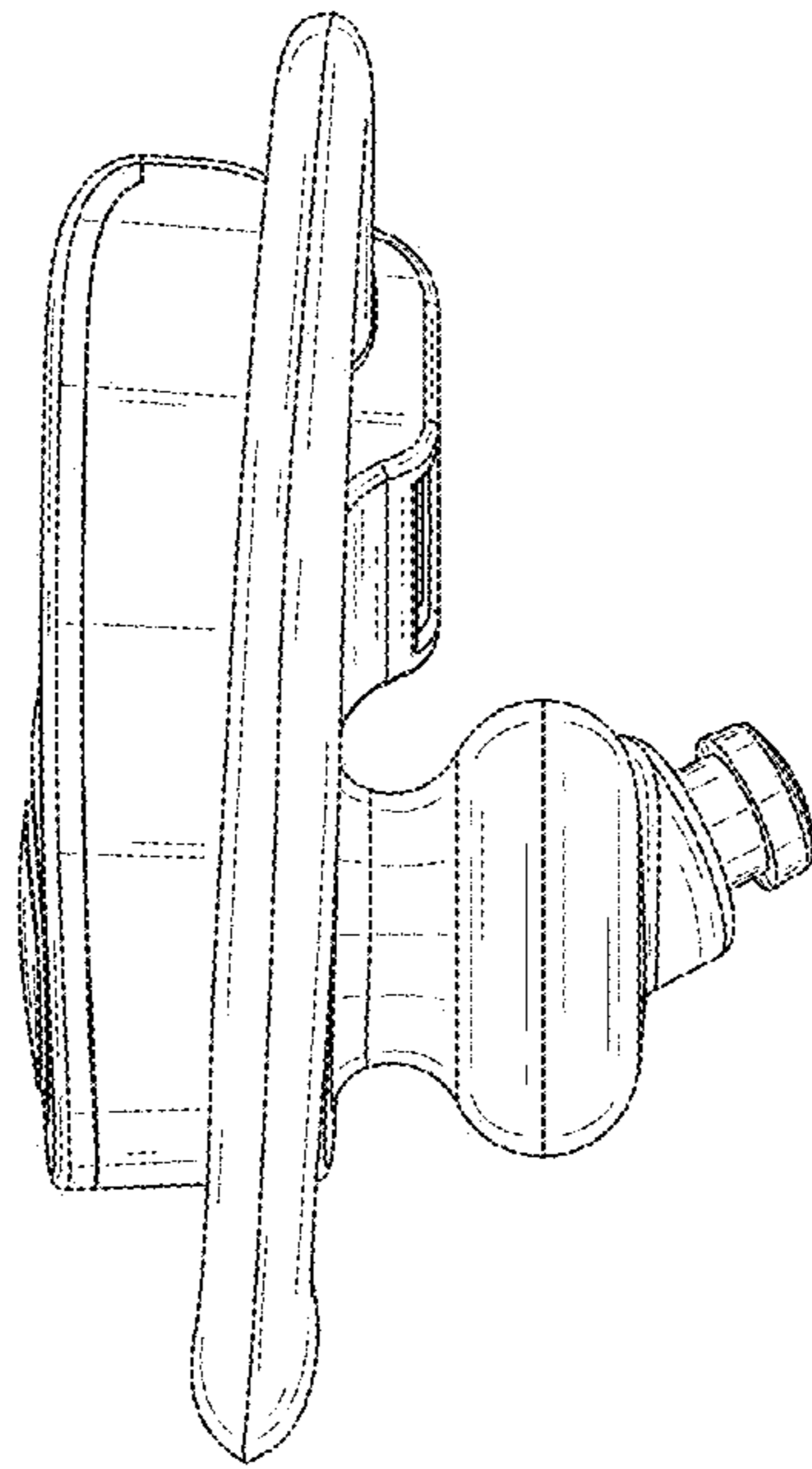


FIG. 6

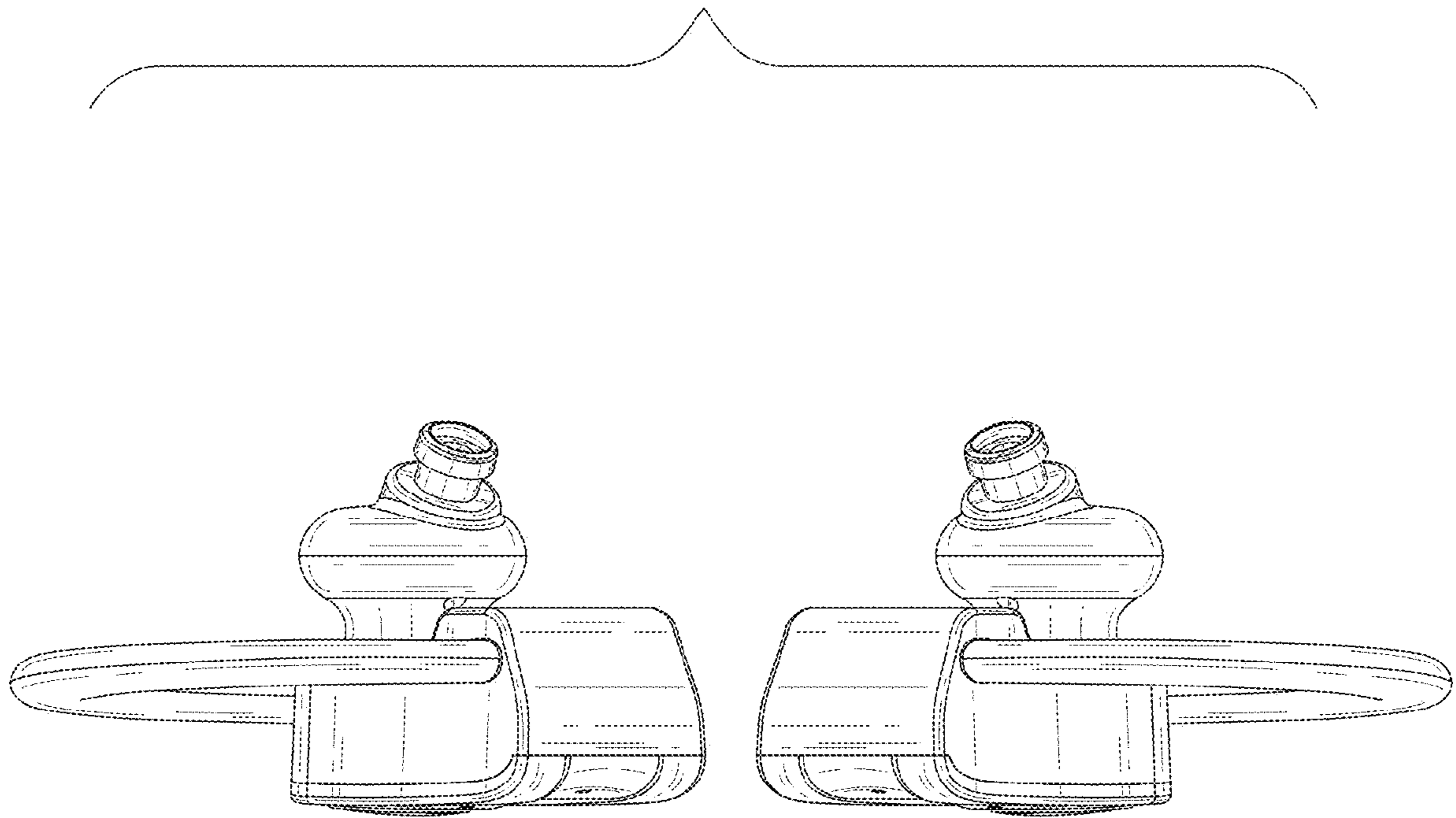


FIG. 7

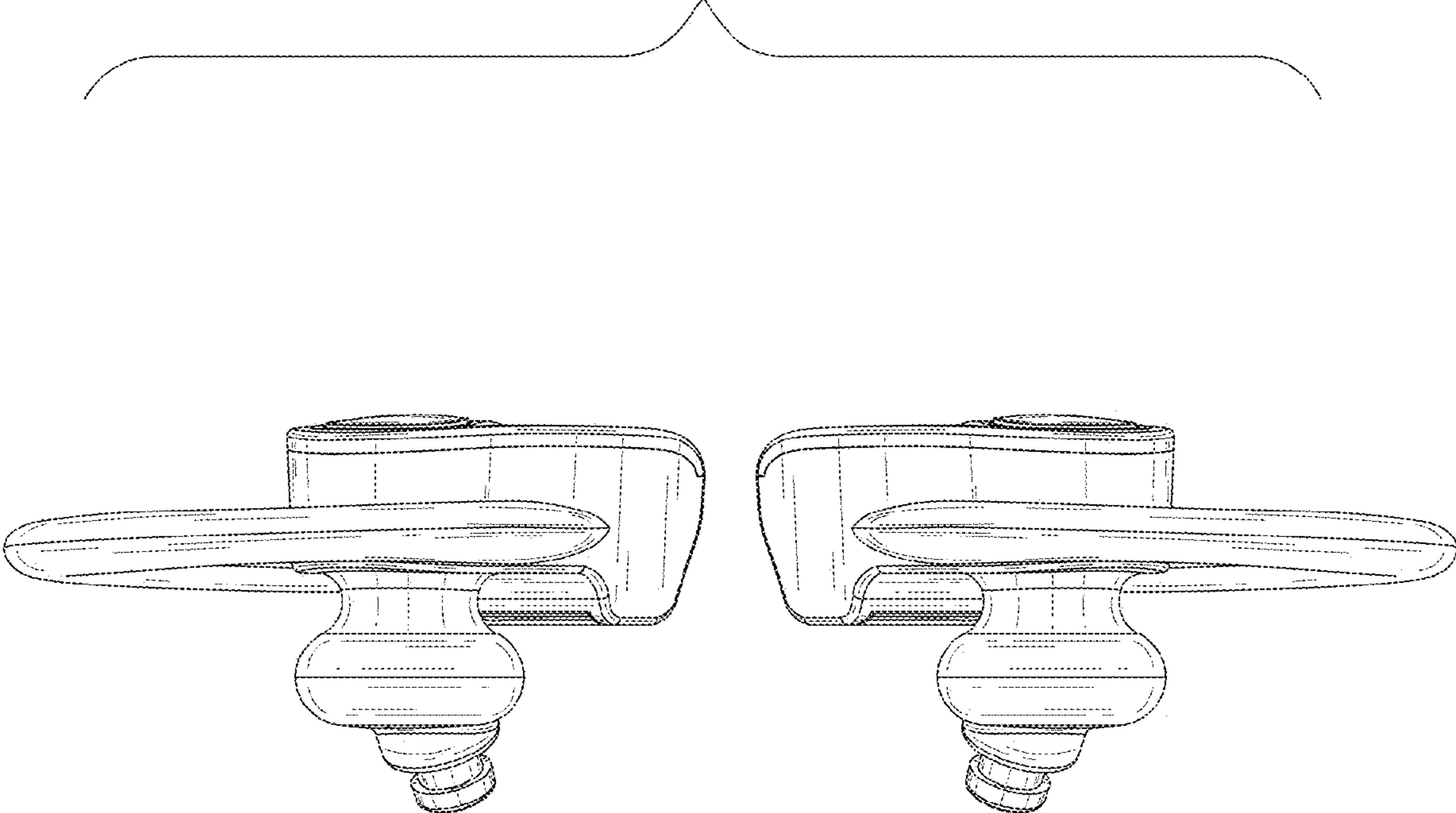


FIG. 8