



US00D967804S

(12) **United States Design Patent** (10) **Patent No.:** **US D967,804 S**  
**Tan** (45) **Date of Patent:** **\*\* Oct. 25, 2022**

(54) **EARPHONES WITH CHARGING CASE**

FOREIGN PATENT DOCUMENTS

(71) Applicant: **Sijing Tan**, Shenzhen (CN)  
(72) Inventor: **Sijing Tan**, Shenzhen (CN)

CN 107708008 A \* 2/2018 ..... H04R 1/1016  
CN 111836149 A \* 10/2020 ..... G06F 40/58  
CN 112135215 A \* 12/2020 ..... H04R 1/10  
JP D1701051 \* 11/2021

(\*\*) Term: **15 Years**

OTHER PUBLICATIONS

(21) Appl. No.: **29/790,484**  
(22) Filed: **Nov. 30, 2021**  
(51) **LOC (13) Cl.** ..... **14-01**  
(52) **U.S. Cl.**  
USPC ..... **D14/223**  
(58) **Field of Classification Search**  
USPC ..... D14/204–206, 223; D13/108  
CPC .. H04R 1/1083; H04R 1/1041; H04R 1/1016;  
H04R 5/0335; H02J 7/0044  
See application file for complete search history.

Life P3 earbuds, Soundcore website reviews 2022, site visited Jul. 12, 2022, <https://us.soundcore.com/products/a3939011>.  
JBL Headphones, Amazon customer reviews 2020, site visited Jul. 13, 2022, <https://www.amazon.com/JBL-Tune-225TWS-Wireless-Headphones/dp/B08FB353J6/ref=rvi> . . . \*  
AHOMIS earbuds, Amazon reviews 2022, site visited Jul. 13, 2022, <https://www.amazon.com/AHOMIS-Cancelling-Waterproof-Microphone-Headphones/dp/B09P559NSS/ref> . . . \*

\* cited by examiner

*Primary Examiner* — John R Yeh  
(74) *Attorney, Agent, or Firm* — Georgi Korobanov

(56) **References Cited**

(57) **CLAIM**

The ornamental design for earphones with charging case, as shown and described.

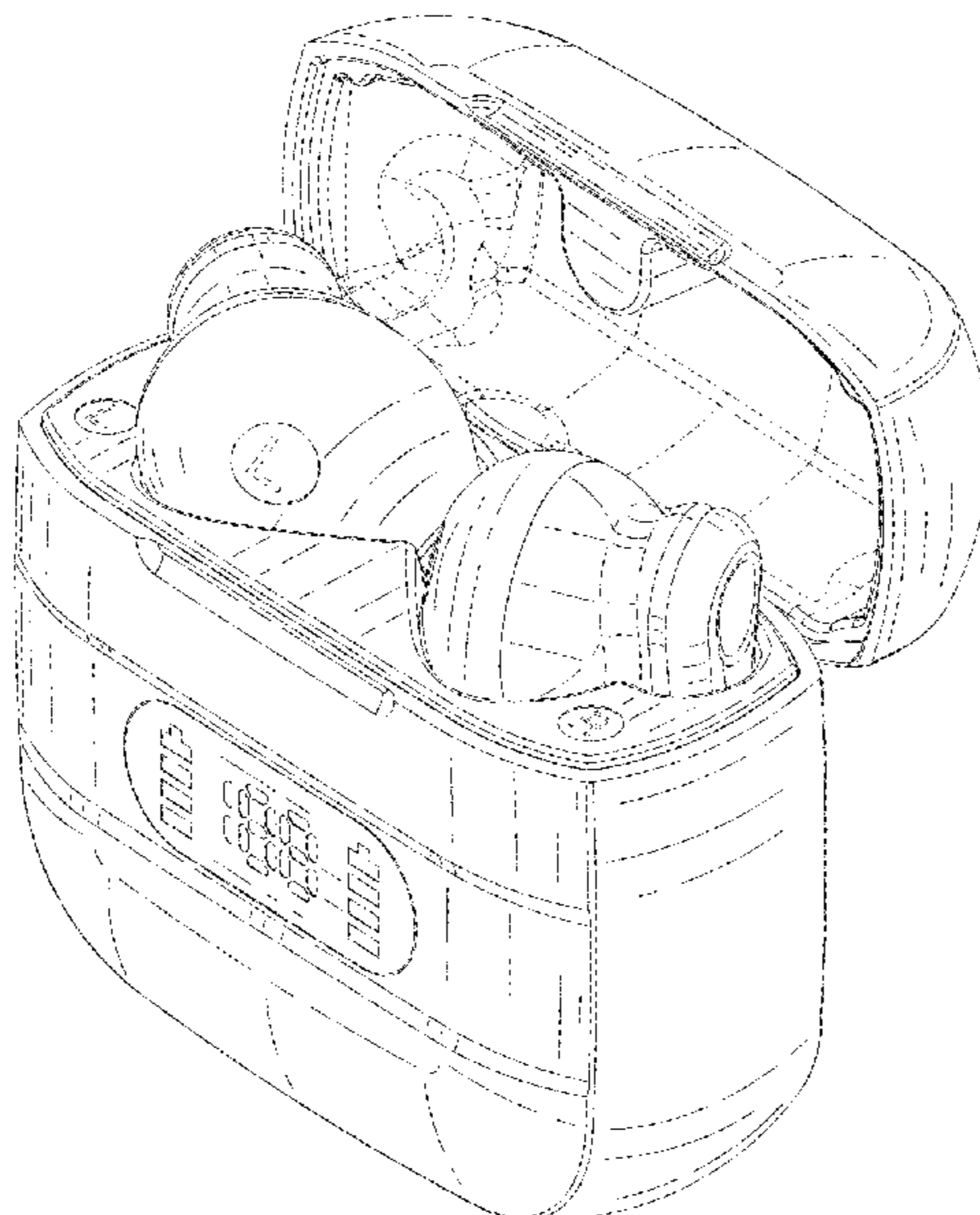
U.S. PATENT DOCUMENTS

**DESCRIPTION**

D733,101 S \* 6/2015 Pi ..... D14/223  
D885,362 S 5/2020 Huang  
10,701,472 B1 \* 6/2020 Xu ..... H02J 7/0044  
D889,436 S \* 7/2020 Zhang ..... D14/206  
D907,009 S 1/2021 Akana et al.  
D911,944 S \* 3/2021 Gao ..... D14/223  
D911,945 S \* 3/2021 Xian ..... D14/223  
D914,644 S \* 3/2021 Zhu ..... D14/223  
D916,684 S \* 4/2021 Fang ..... D14/223  
D922,315 S \* 6/2021 Zhang ..... D3/294  
D933,602 S \* 10/2021 Zhang ..... D3/294  
D934,839 S \* 11/2021 Zhong ..... D14/223  
D938,386 S \* 12/2021 Park ..... D14/205  
D945,402 S \* 3/2022 Yu ..... D14/223  
D946,513 S \* 3/2022 Lin ..... D14/223  
D954,645 S \* 6/2022 Chen ..... D13/108  
2018/0167713 A1 \* 6/2018 Chou ..... H04R 25/652  
2020/0107098 A1 \* 4/2020 DiFonzo ..... H01F 1/147  
2021/0160607 A1 \* 5/2021 Liu ..... H04B 1/3888

FIG. 1 is a front perspective view of the earphones with charging case where the earphones are received in the charging case, showing my new design;  
FIG. 2 is a perspective view thereof;  
FIG. 3 is another perspective view thereof;  
FIG. 4 is a front view thereof;  
FIG. 5 is a rear view thereof;  
FIG. 6 is a left side view thereof;  
FIG. 7 is a right side view thereof;  
FIG. 8 is a top plan view thereof; and,  
FIG. 9 is a bottom plan view thereof.  
The broken lines in the figures illustrate portions of the earphones with charging case that form no part of the claimed design.

**1 Claim, 9 Drawing Sheets**



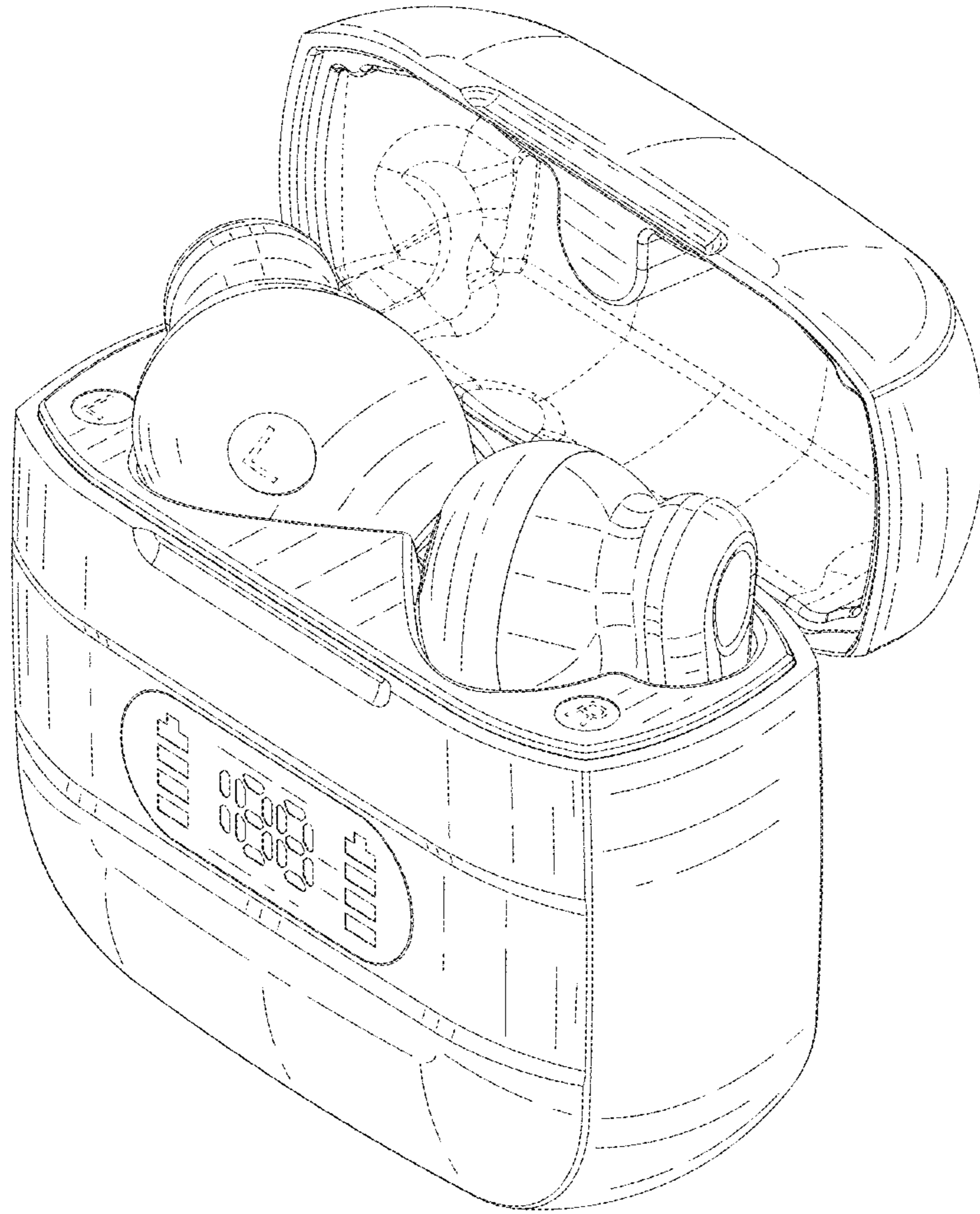


FIG. 1

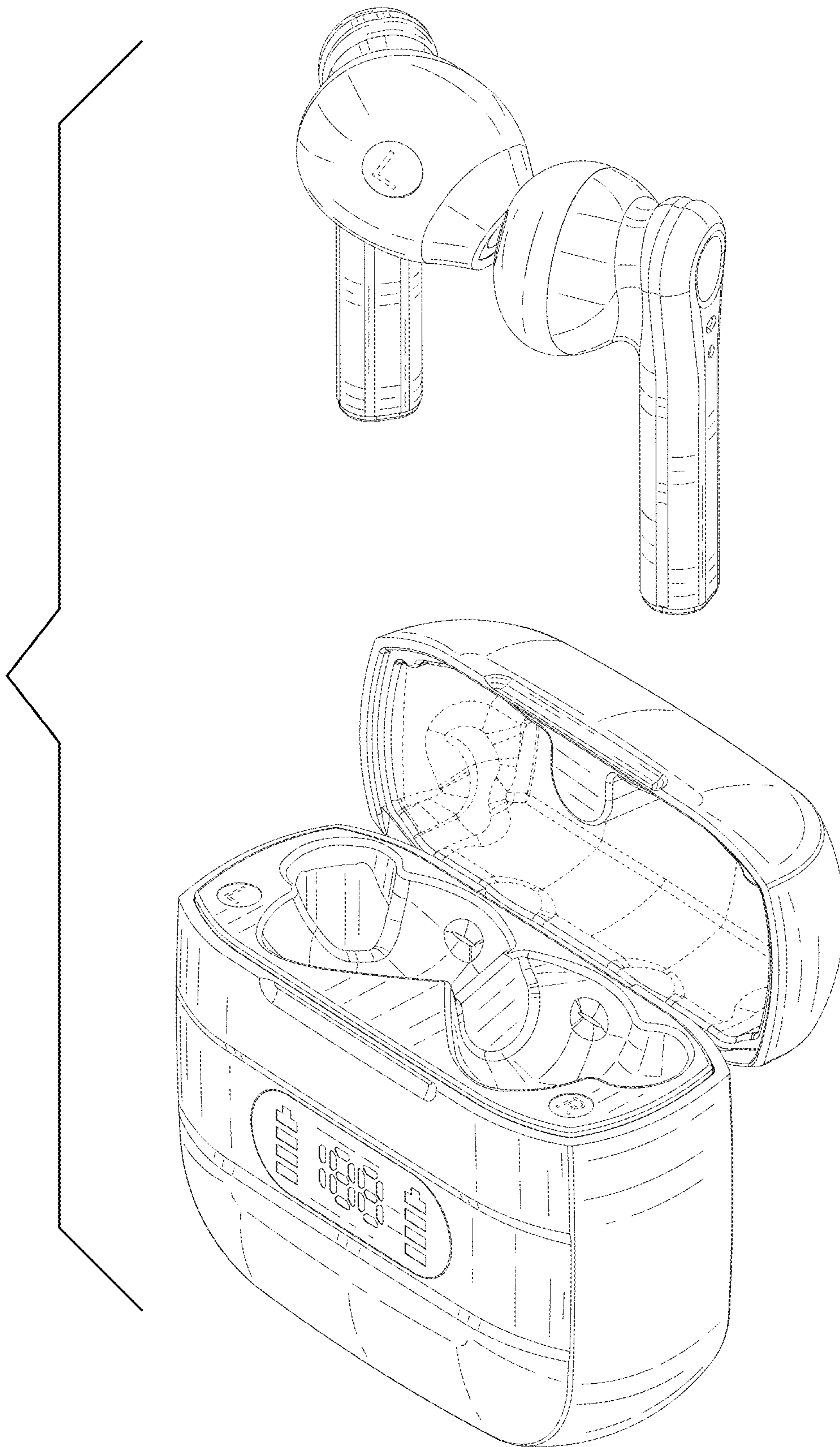


FIG. 2

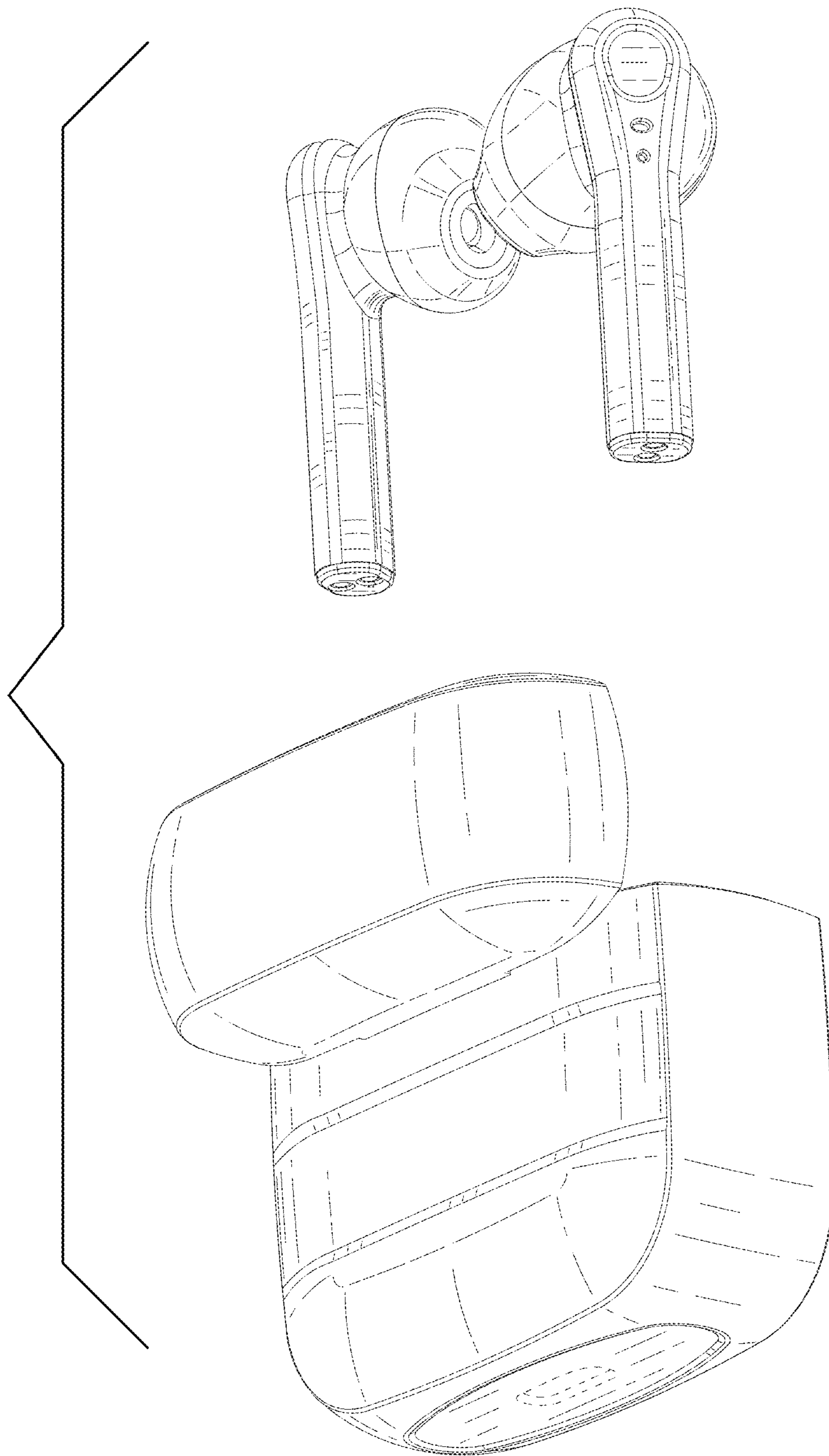


FIG. 3

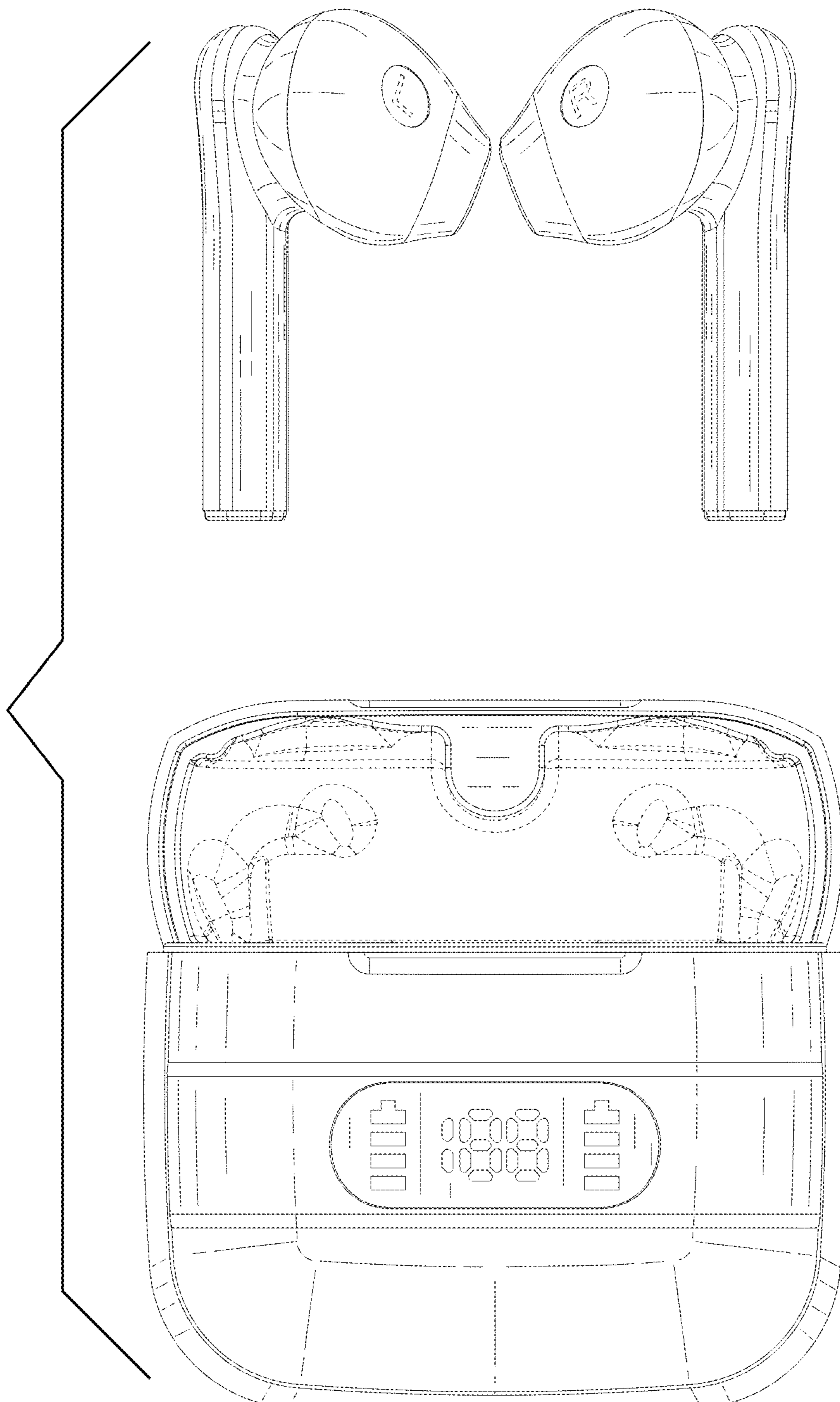


FIG. 4

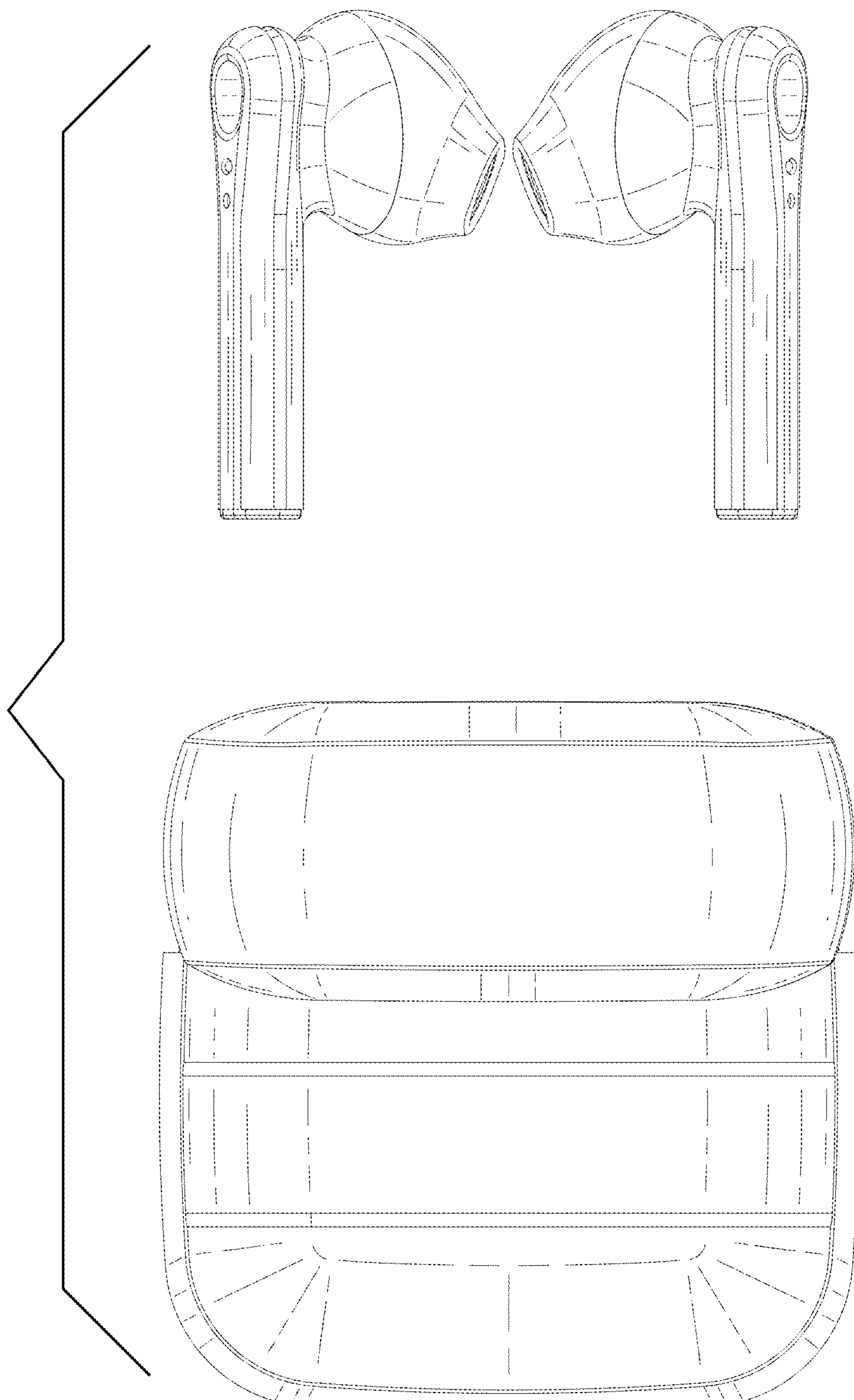


FIG. 5

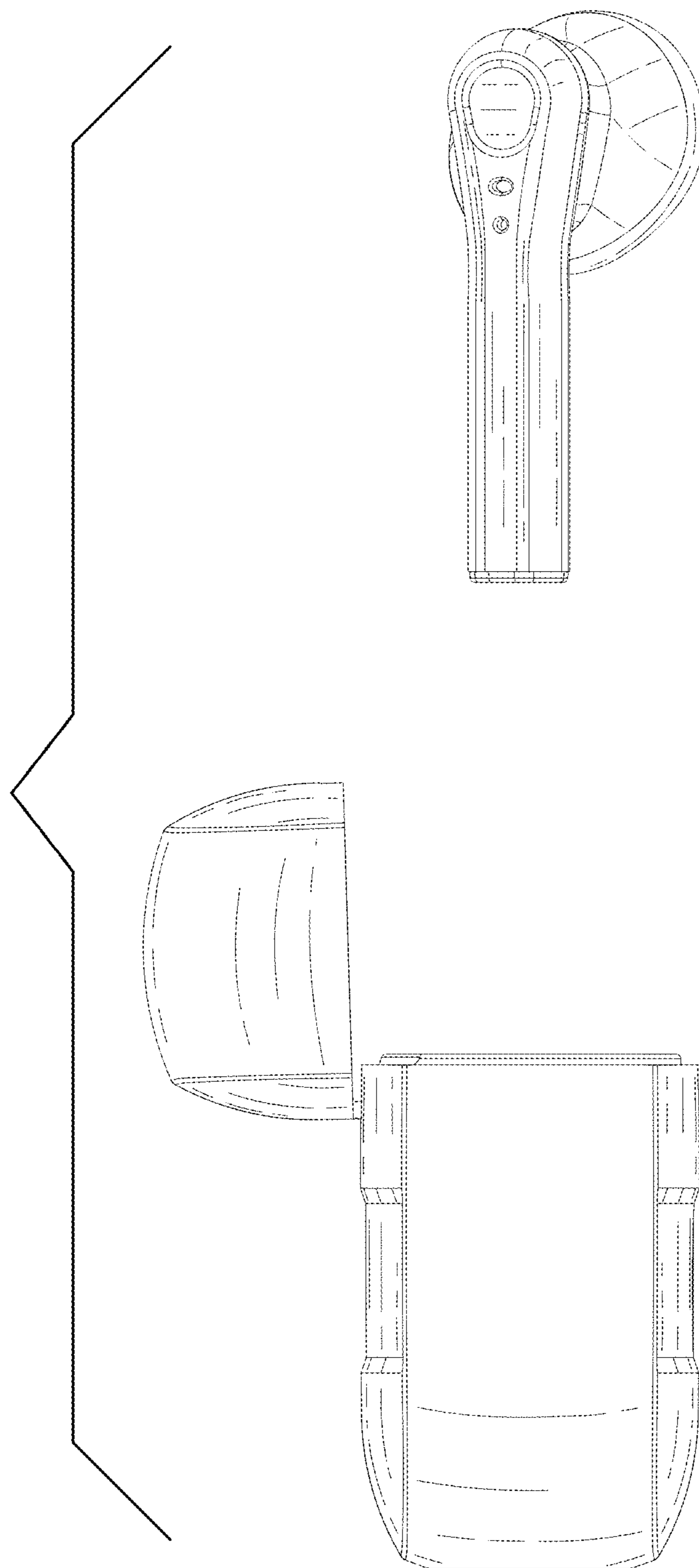


FIG. 6

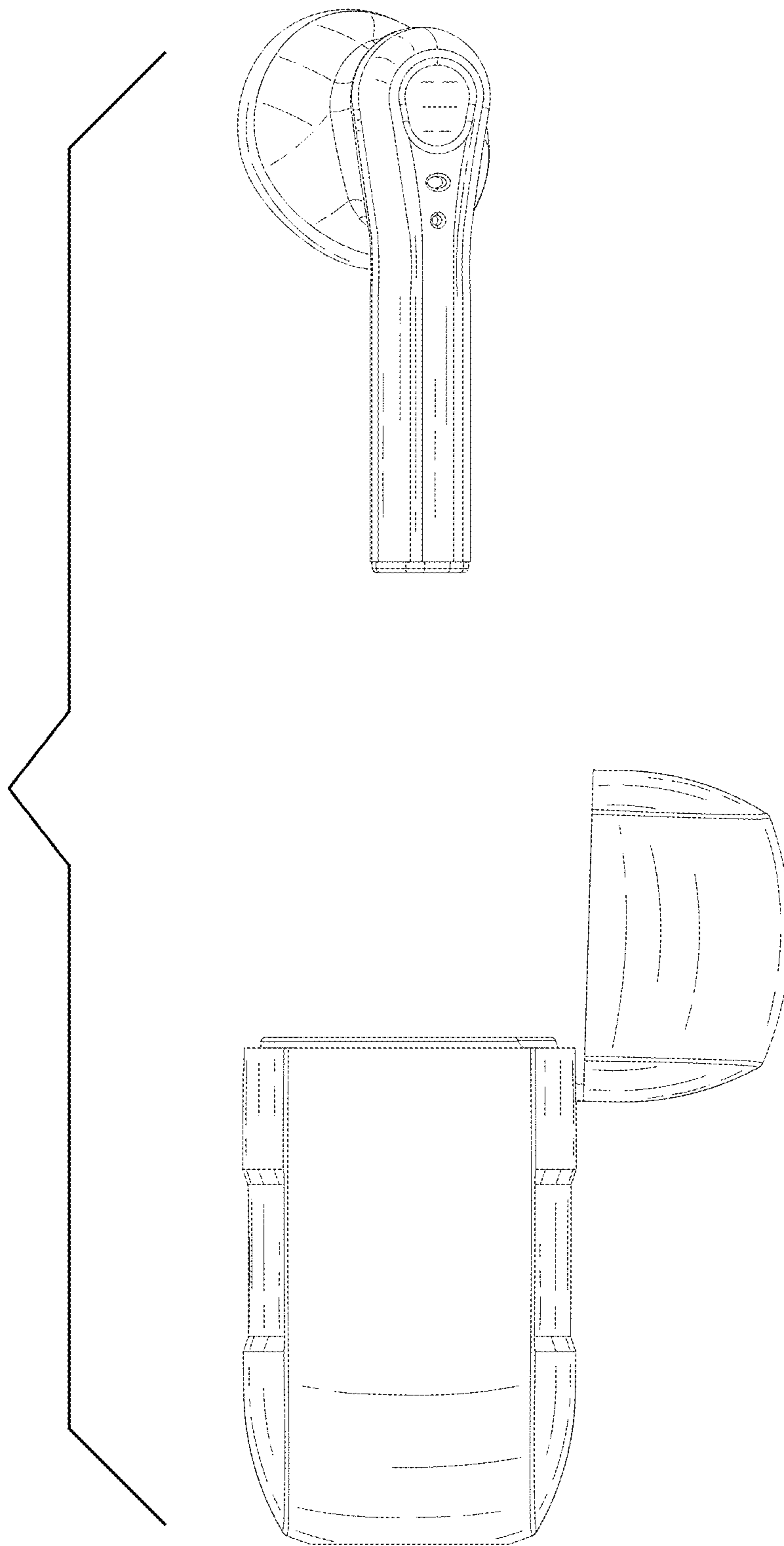


FIG. 7



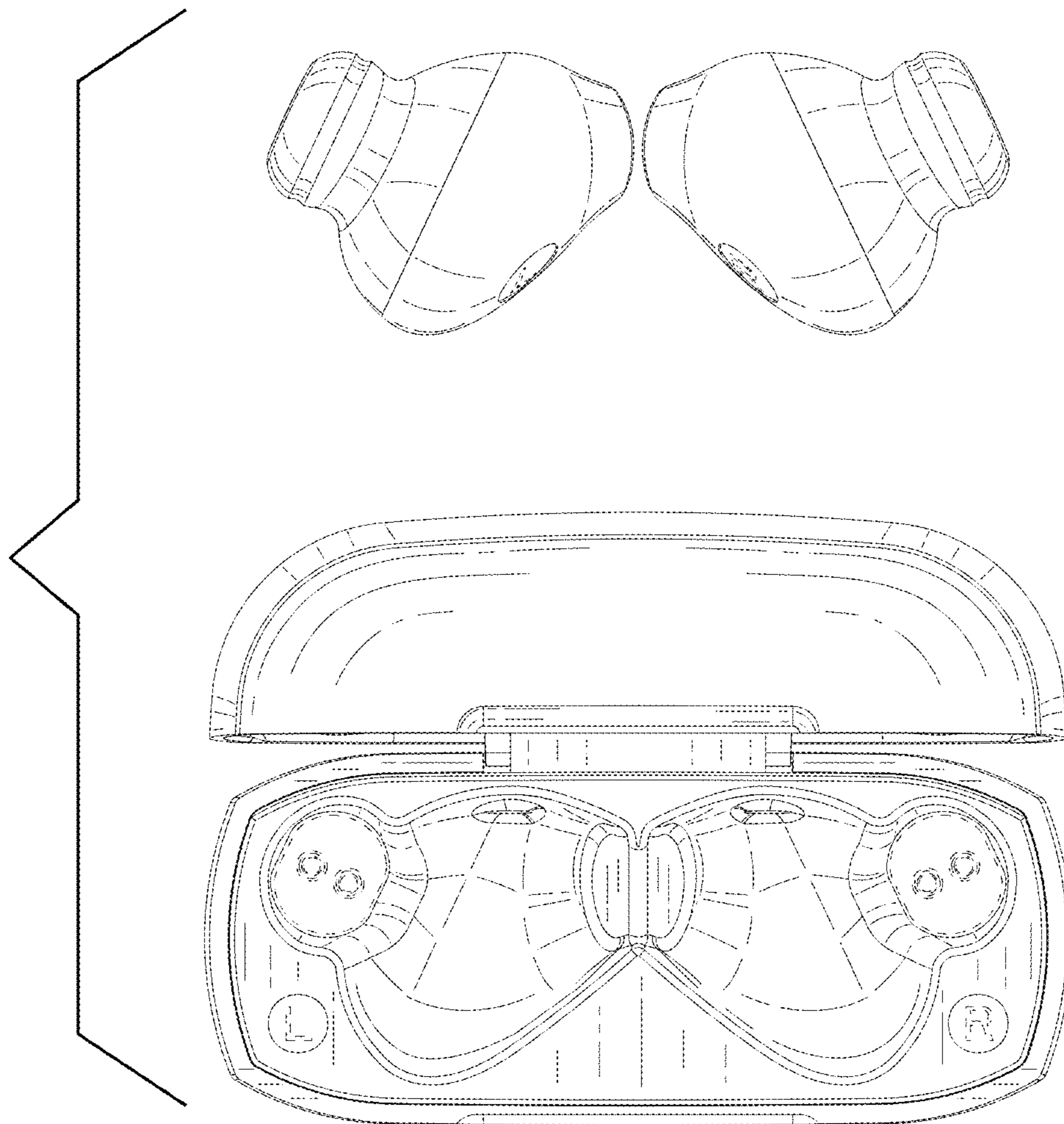


FIG. 8

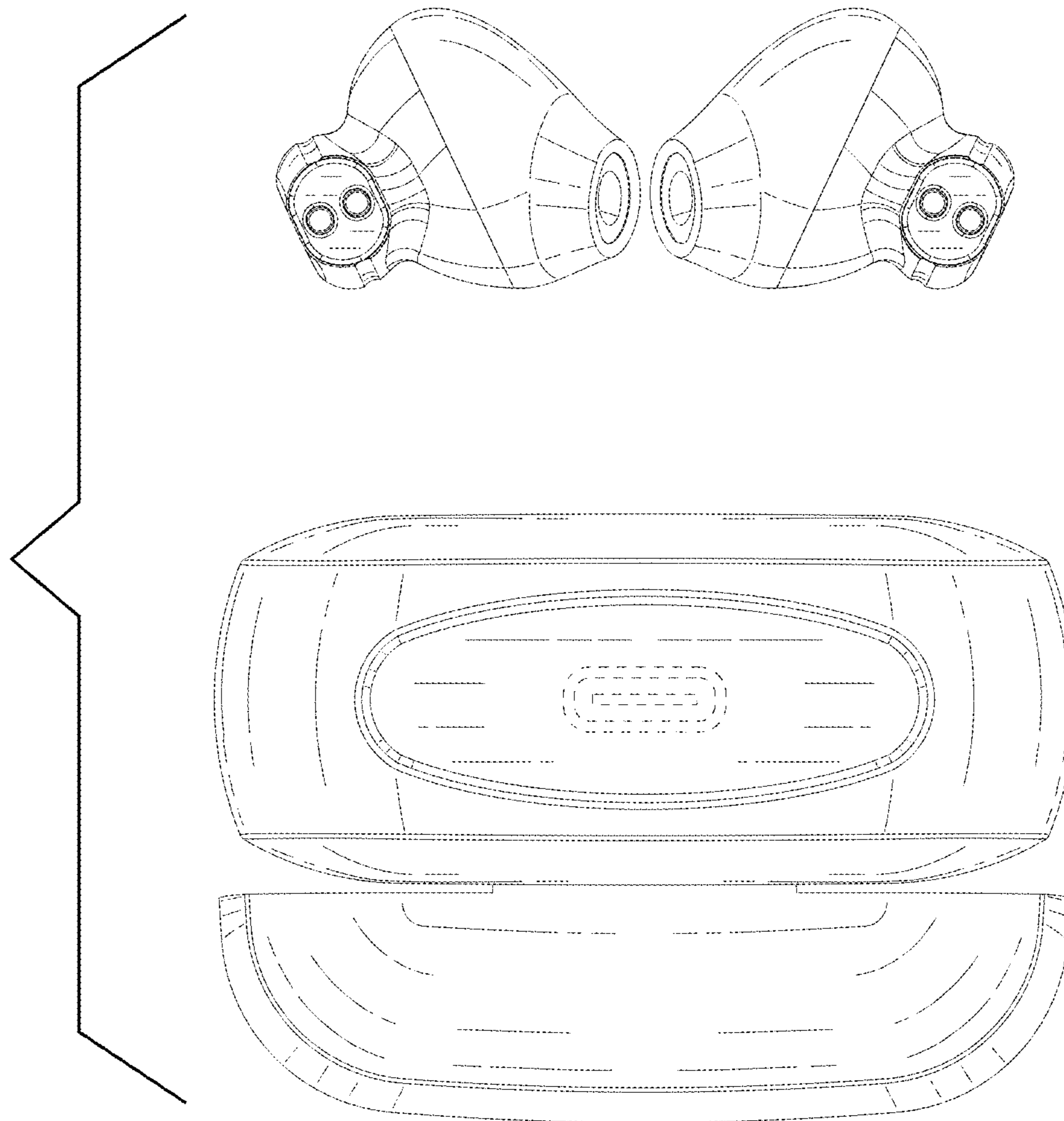


FIG. 9