

US00D967801S

(12) **United States Design Patent** (10) **Patent No.:** **US D967,801 S**  
**Chen et al.** (45) **Date of Patent:** **\*\* Oct. 25, 2022**

(54) **WEARABLE DEVICE**

FOREIGN PATENT DOCUMENTS

(71) Applicant: **META PLATFORMS TECHNOLOGIES, LLC**, Menlo Park, CA (US)

JP 2016127582 A \* 7/2016  
KR 2022000232 U \* 1/2022  
WO WO-2017052077 A1 \* 3/2017

(72) Inventors: **Chunli Chen**, Seattle, WA (US); **Derek William Wright**, San Francisco, CA (US); **Peter Wesley Bristol**, Seattle, WA (US)

*Primary Examiner* — Antoine Duval Davis

(74) *Attorney, Agent, or Firm* — FisherBroyles, LLP

(73) Assignee: **Meta Platforms Technologies, LLC**, Menlo Park, CA (US)

(57) **CLAIM**

The ornamental design for a wearable device, as shown and described.

(\*\*) Term: **15 Years**

**DESCRIPTION**

(21) Appl. No.: **29/770,243**

FIG. 1 is a top perspective view of a wearable device in an assembled state;

(22) Filed: **Feb. 10, 2021**

FIG. 2 is a top perspective view of the wearable device in a disassembled state;

(51) **LOC (13) Cl.** ..... **14-03**

FIG. 3 is a top perspective view of the wearable device in a disassembled state, with a watch body thereof rotated relative to a holder thereof to illustrate how assembly and disassembly thereof may be accomplished by a user twisting the watch body relative to the holder;

(52) **U.S. Cl.**  
USPC ..... **D14/218**; D14/388; D21/333

(58) **Field of Classification Search**  
USPC ..... D10/30, 31, 38, 39, 70; D14/218, 388, D14/203.3, 203.5; D21/388

FIG. 4 is a bottom perspective view of the wearable device in a disassembled state;

CPC .... G04D 21/00; H04N 21/422; H04N 21/472; G06F 3/01; G06F 3/0346; G06F 1/1613; G06F 1/163; A63B 2024/0096; A63B 24/0062; A63B 24/0087; A63B 2220/10; A63B 2220/17; A63B 2220/30; A63B 2220/88; A63B 2225/02; A63F 13/235; A44C 5/00; A44C 5/0007; G04B 37/00; G04B 37/0008; G04B 47/00; G04B 47/008;

FIG. 5 is a front side view of the wearable device in a disassembled state;

FIG. 6 is a rear view of the wearable device in a disassembled state;

FIG. 7 is a top view of the wearable device in a disassembled state;

FIG. 8 is a bottom view of the wearable device in a disassembled state;

FIG. 9 is a left side view of the wearable device in a disassembled state; and,

FIG. 10 is a right side view of the wearable device in a disassembled state.

(Continued)

The broken lines shown in the figures illustrate portions of the display device that form no part of the claimed design. The oblique shade lines in the figures show a transparent, reflective, or shiny surface, and not surface ornamentation.

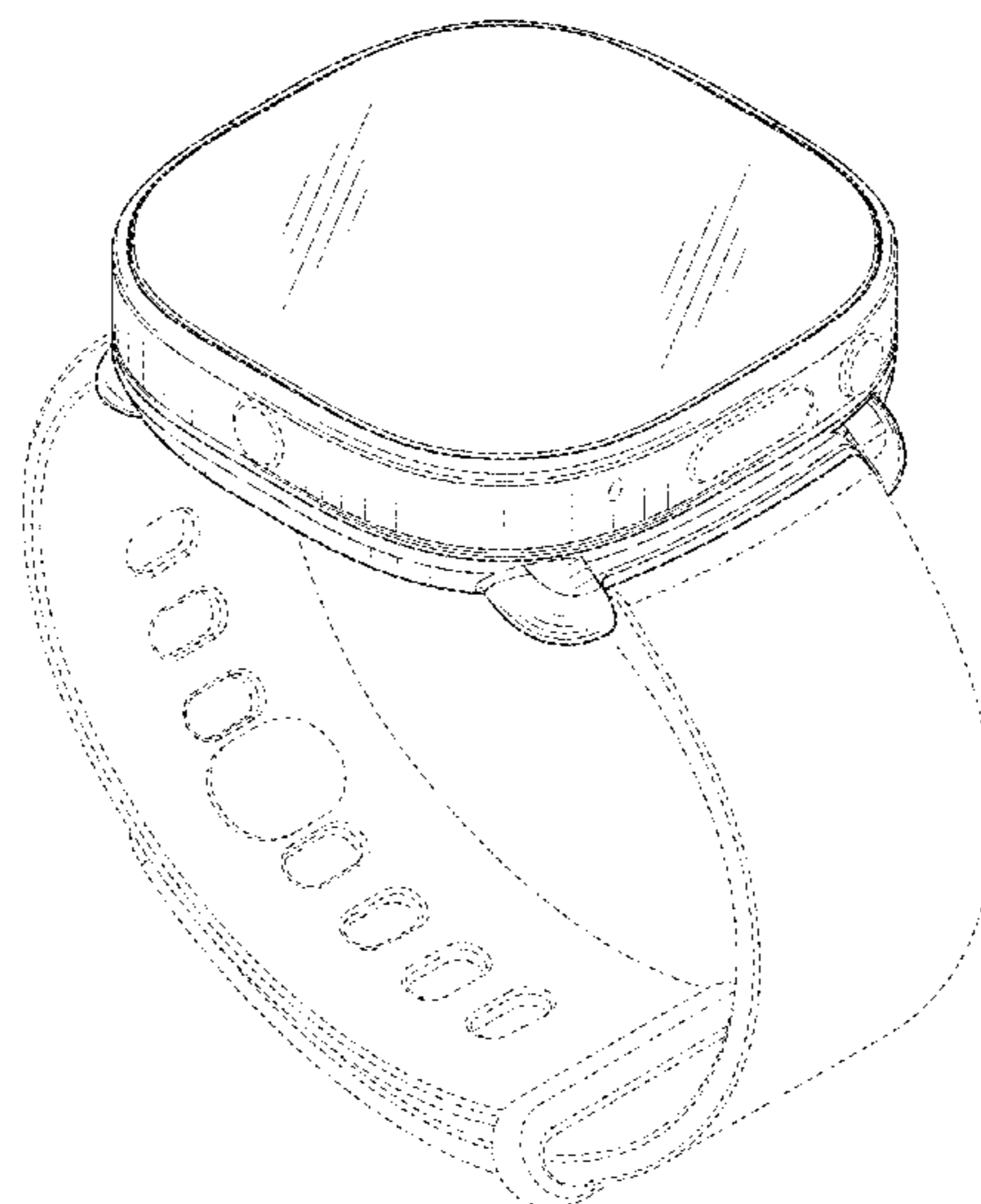
(56) **References Cited**

U.S. PATENT DOCUMENTS

D295,387 S \* 4/1988 Kumagai ..... D10/30  
D528,928 S \* 9/2006 Burton ..... D10/38

(Continued)

**1 Claim, 10 Drawing Sheets**



(58) **Field of Classification Search**

CPC ... G04B 47/06; G04B 47/061; G04B 47/063;  
G04B 47/065; G04B 47/066; G04B  
47/068; G01C 21/10; G01C 21/00; G01C  
23/00; G01C 22/00; G01C 22/002; G01C  
22/004; G01C 22/006; G01P 1/06; A61B  
5/05; A61B 5/4869; A61B 5/6831; A61B  
5/107; A61B 5/6801; A61B 5/6813; A61B  
5/6898; G08B 21/0291; G04G 17/08

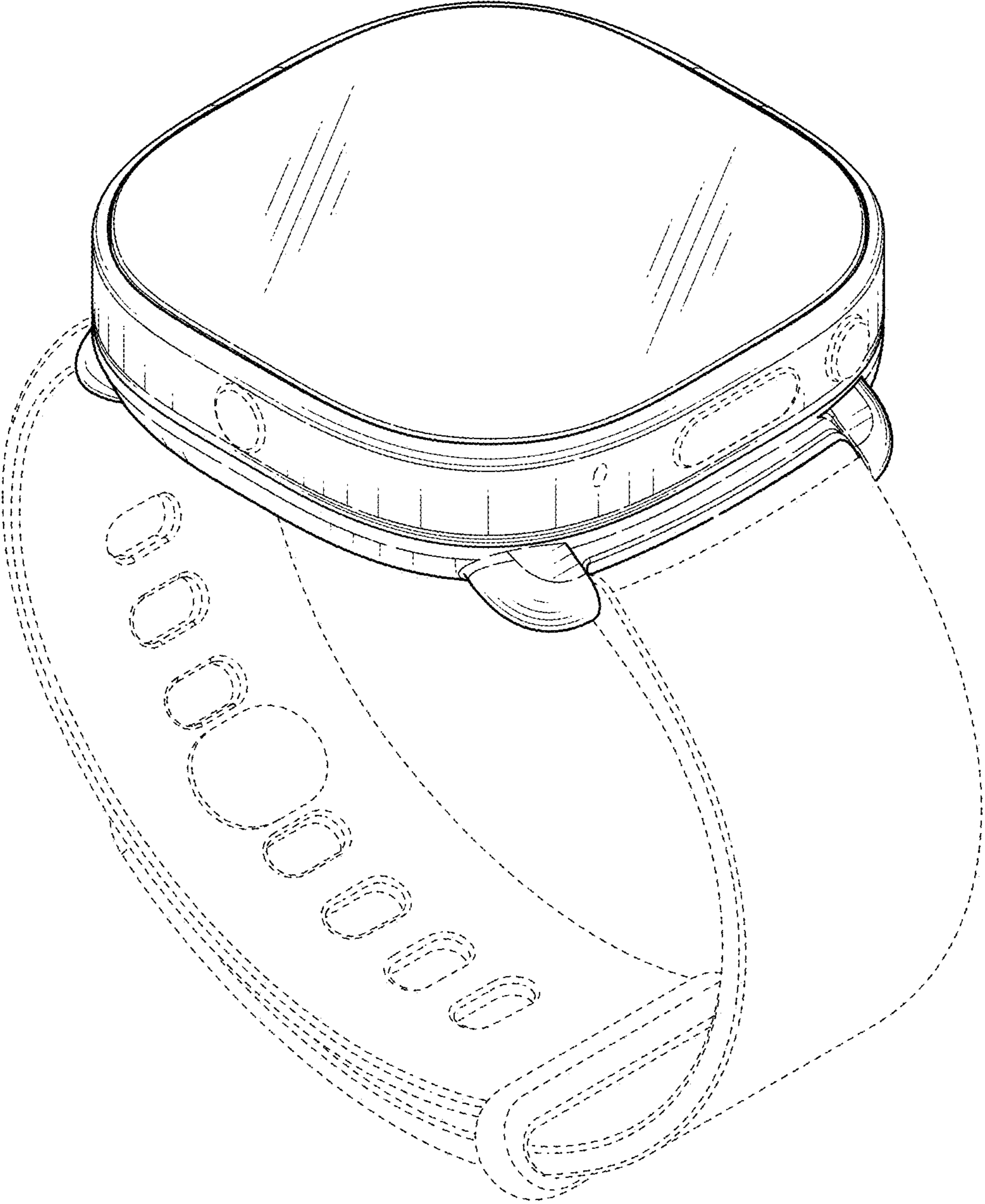
See application file for complete search history.

(56) **References Cited**

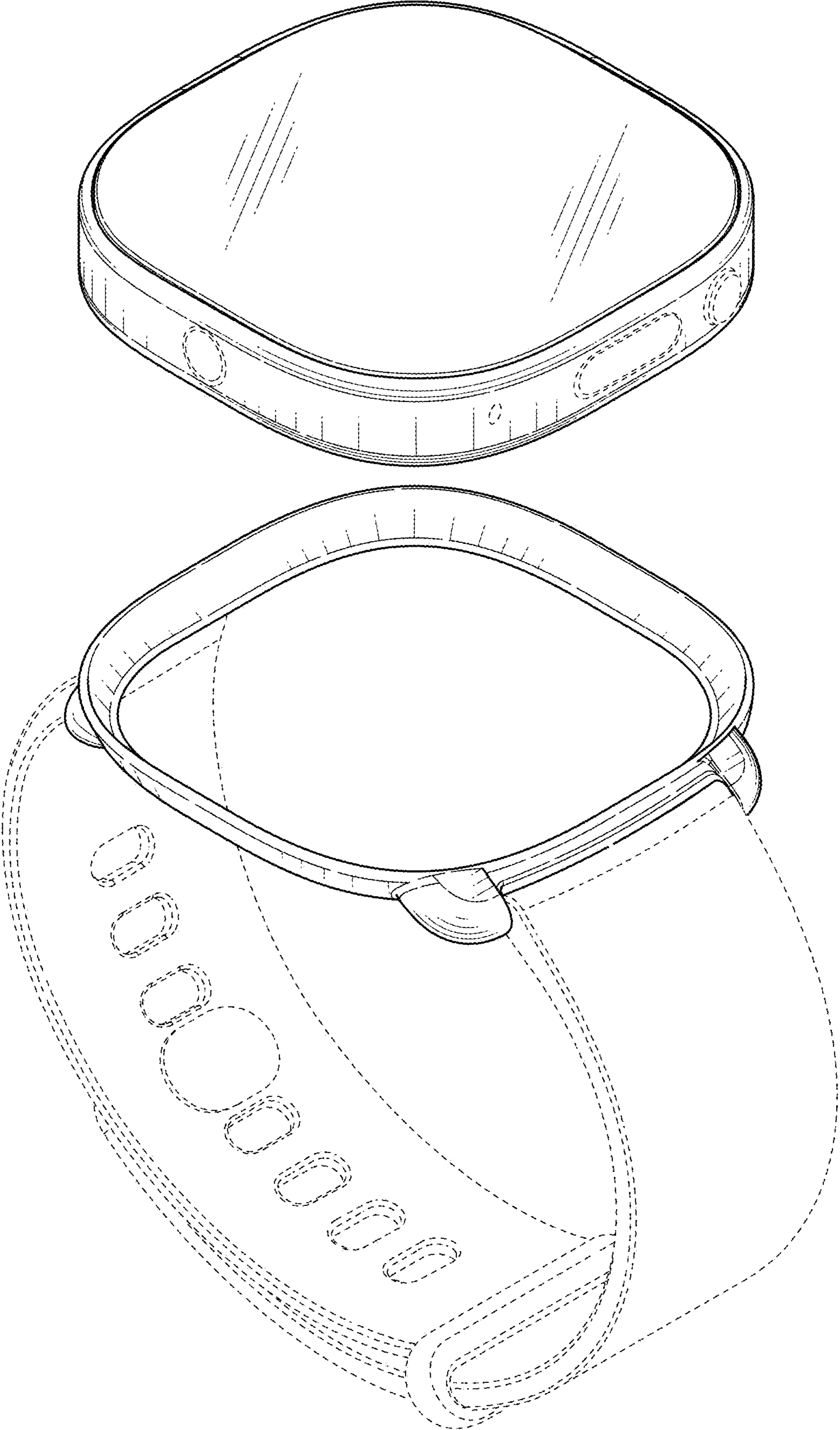
U.S. PATENT DOCUMENTS

D673,975	S	*	1/2013	Akana	.....	D14/203.3
D708,643	S	*	7/2014	Akana	.....	D14/203.3
D739,768	S	*	9/2015	Hanshew	.....	D10/38
D741,726	S	*	10/2015	Akana	.....	D10/70
D745,421	S	*	12/2015	Akana	.....	D10/70
D747,979	S	*	1/2016	Babcock	.....	D10/38
D751,550	S	*	3/2016	Solomon	.....	D14/344
D771,504	S	*	11/2016	Lai	.....	D10/30
D771,824	S	*	11/2016	Minoli	.....	D10/70
D812,144	S	*	3/2018	Chandrasiri	.....	D21/333
D864,767	S	*	10/2019	Vandenbussche	.....	D10/70
D866,350	S	*	11/2019	Park	.....	D14/344
D867,179	S	*	11/2019	Akana	.....	D10/70
D891,425	S	*	7/2020	Lin	.....	D10/70
D900,808	S	*	11/2020	Vandenbussche	.....	D14/344

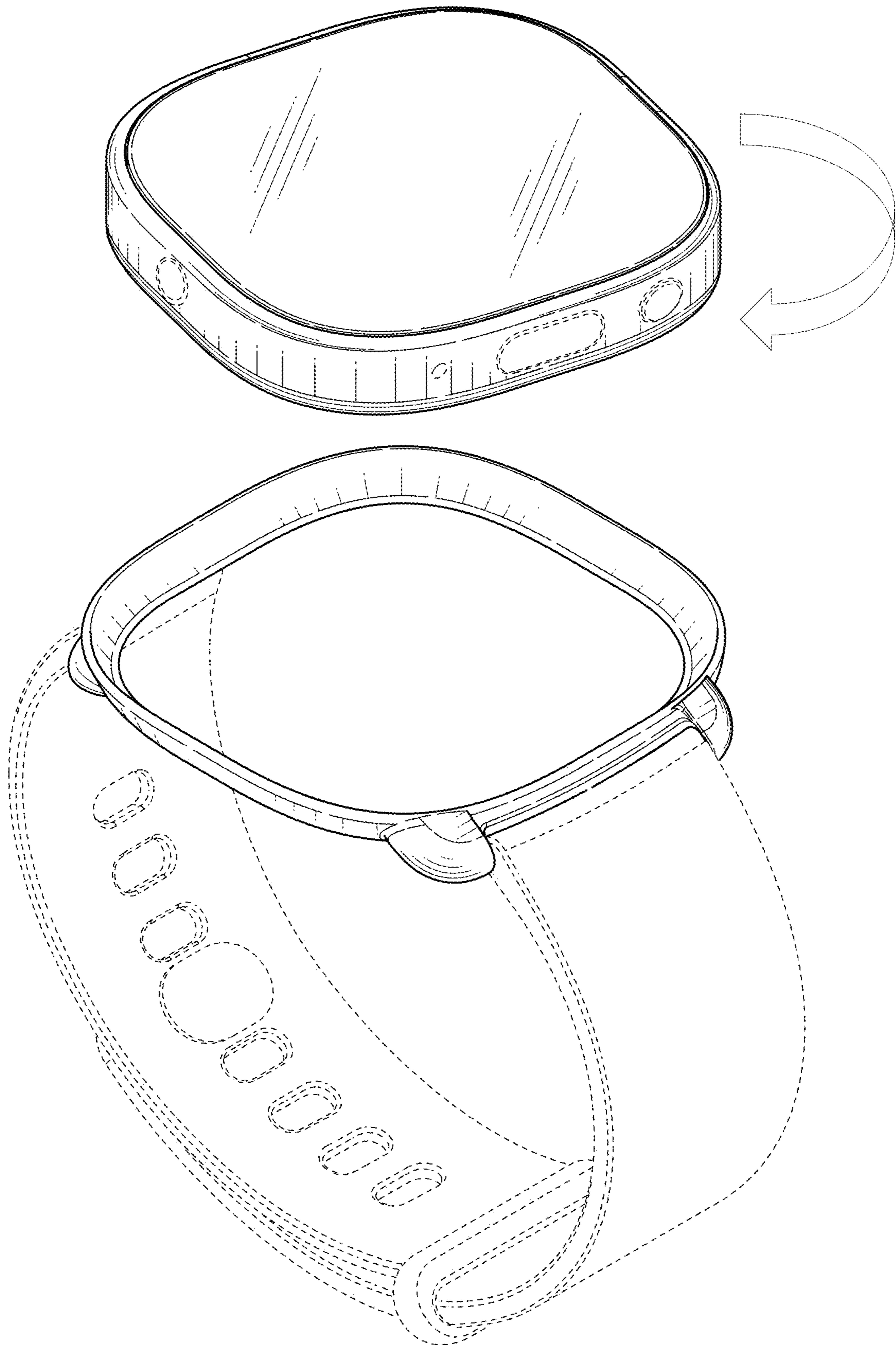
\* cited by examiner



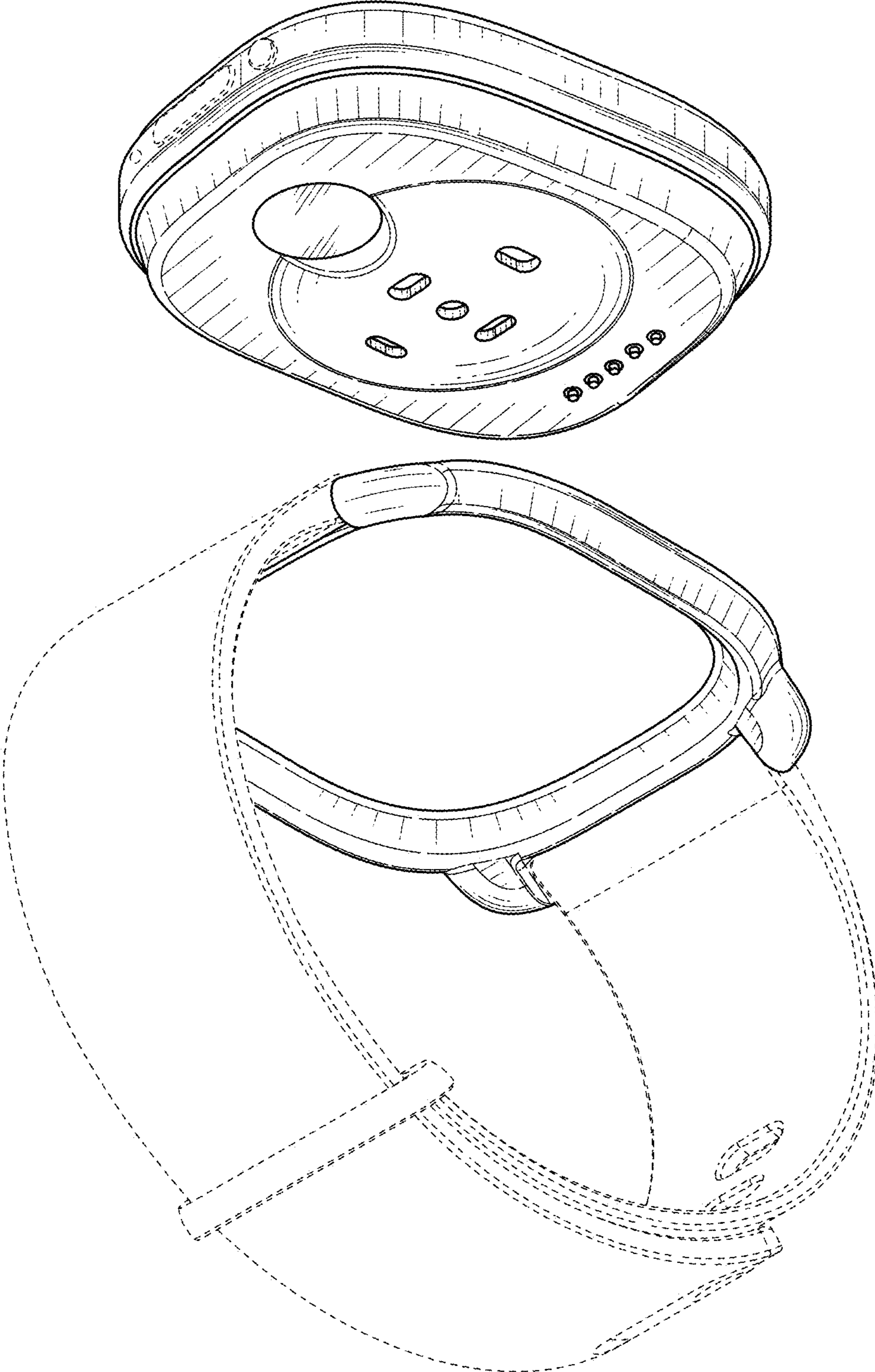
**FIG. 1**



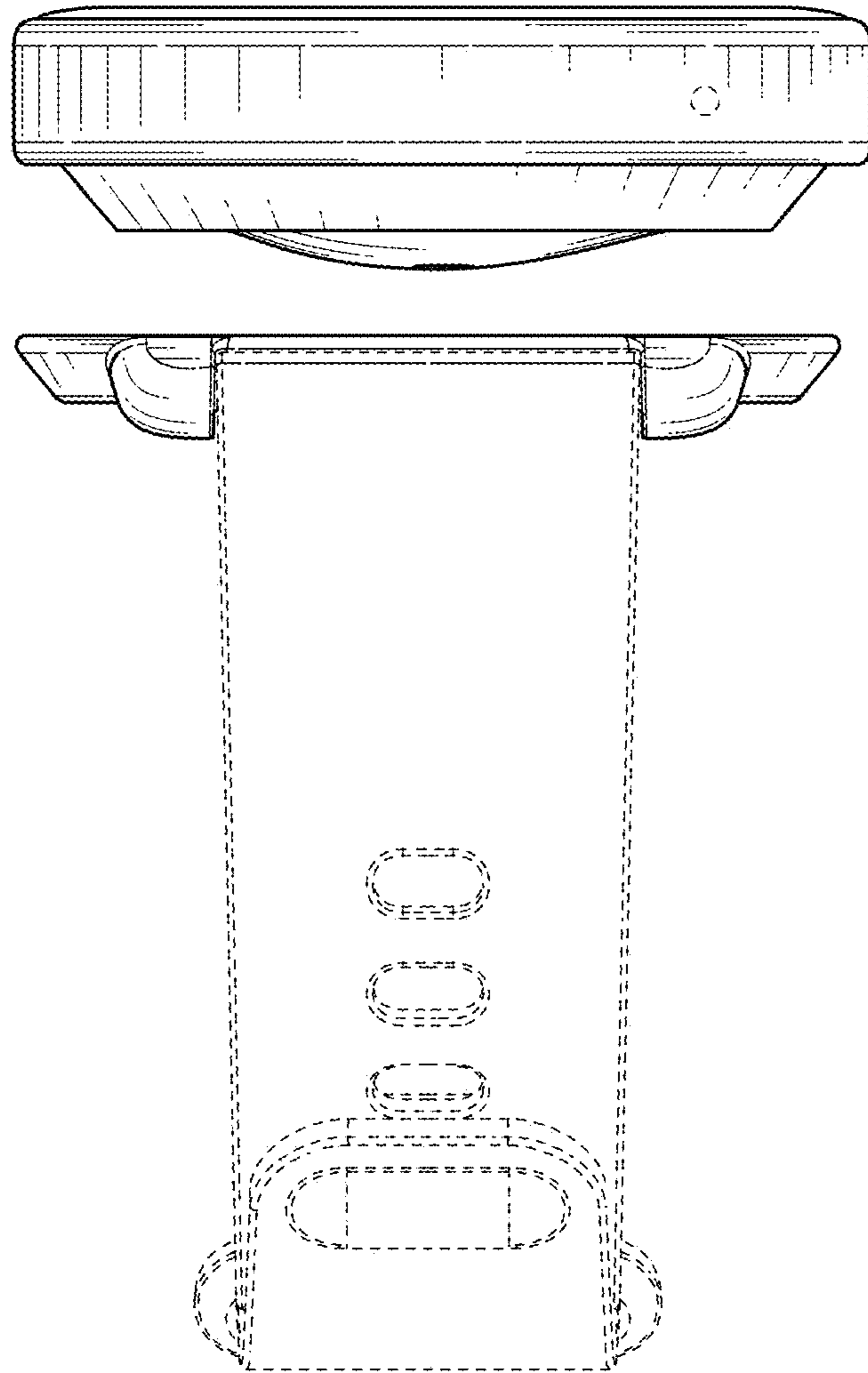
**FIG. 2**



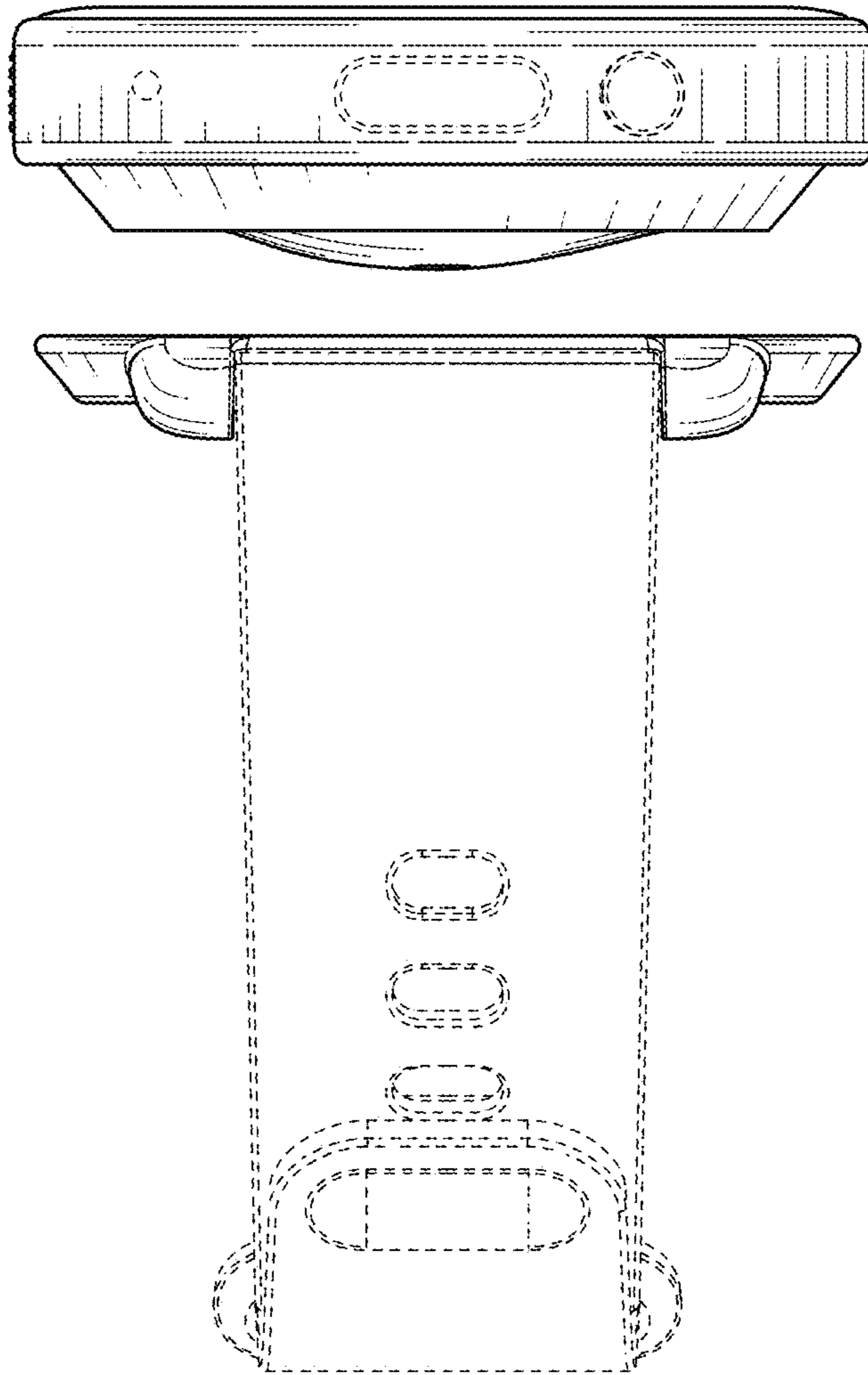
**FIG. 3**



**FIG. 4**

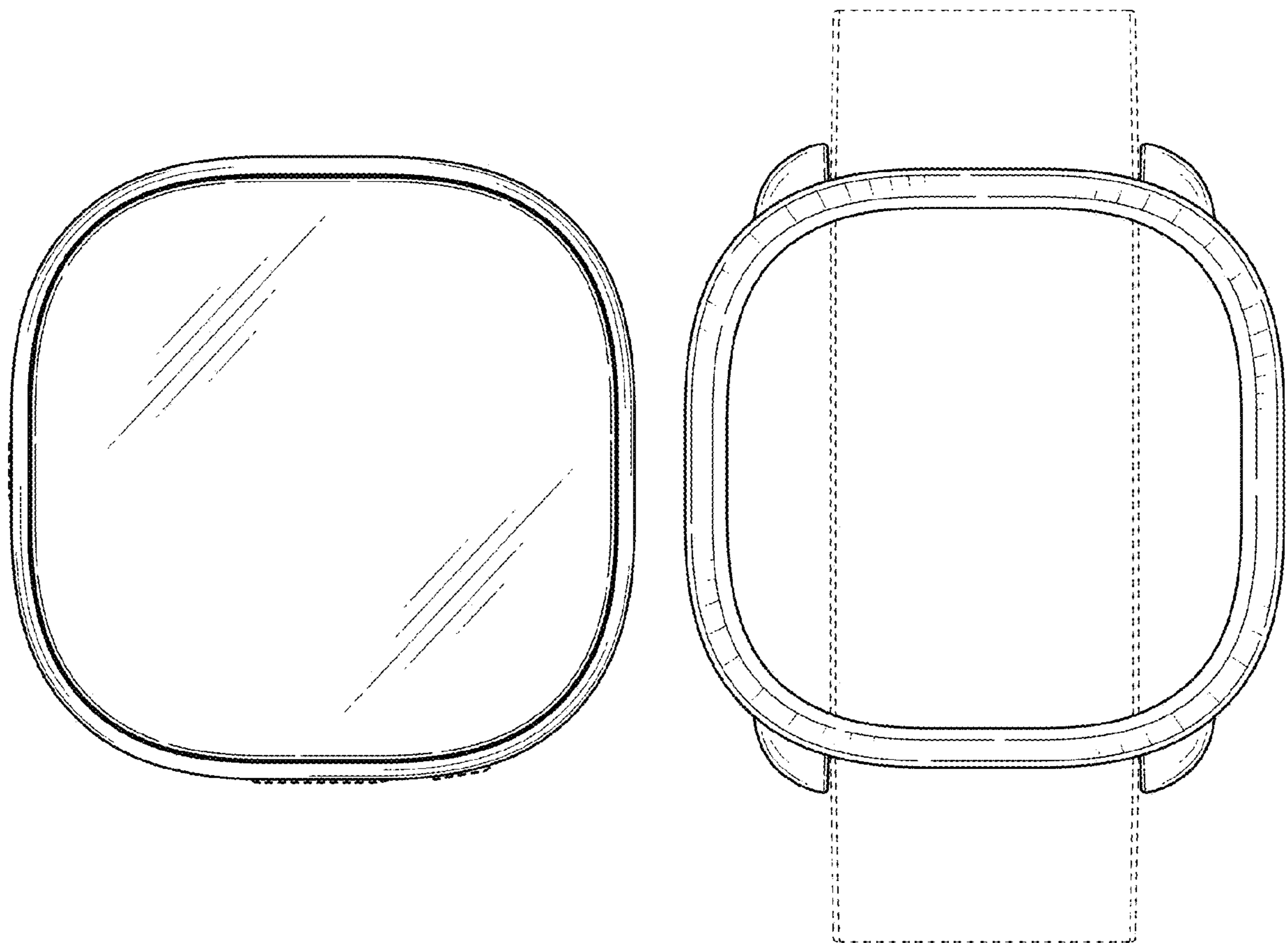


**FIG. 5**

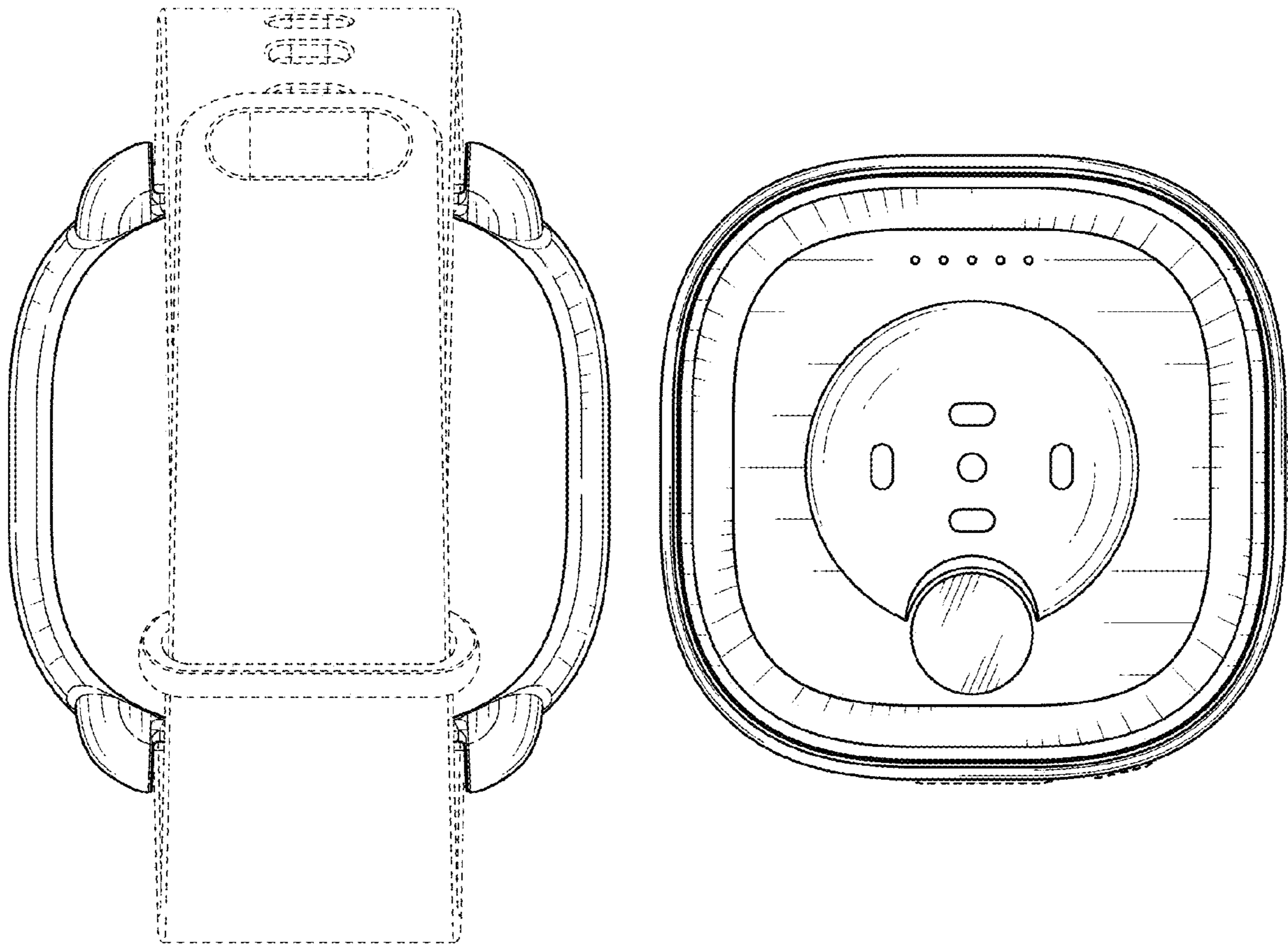


**FIG. 6**

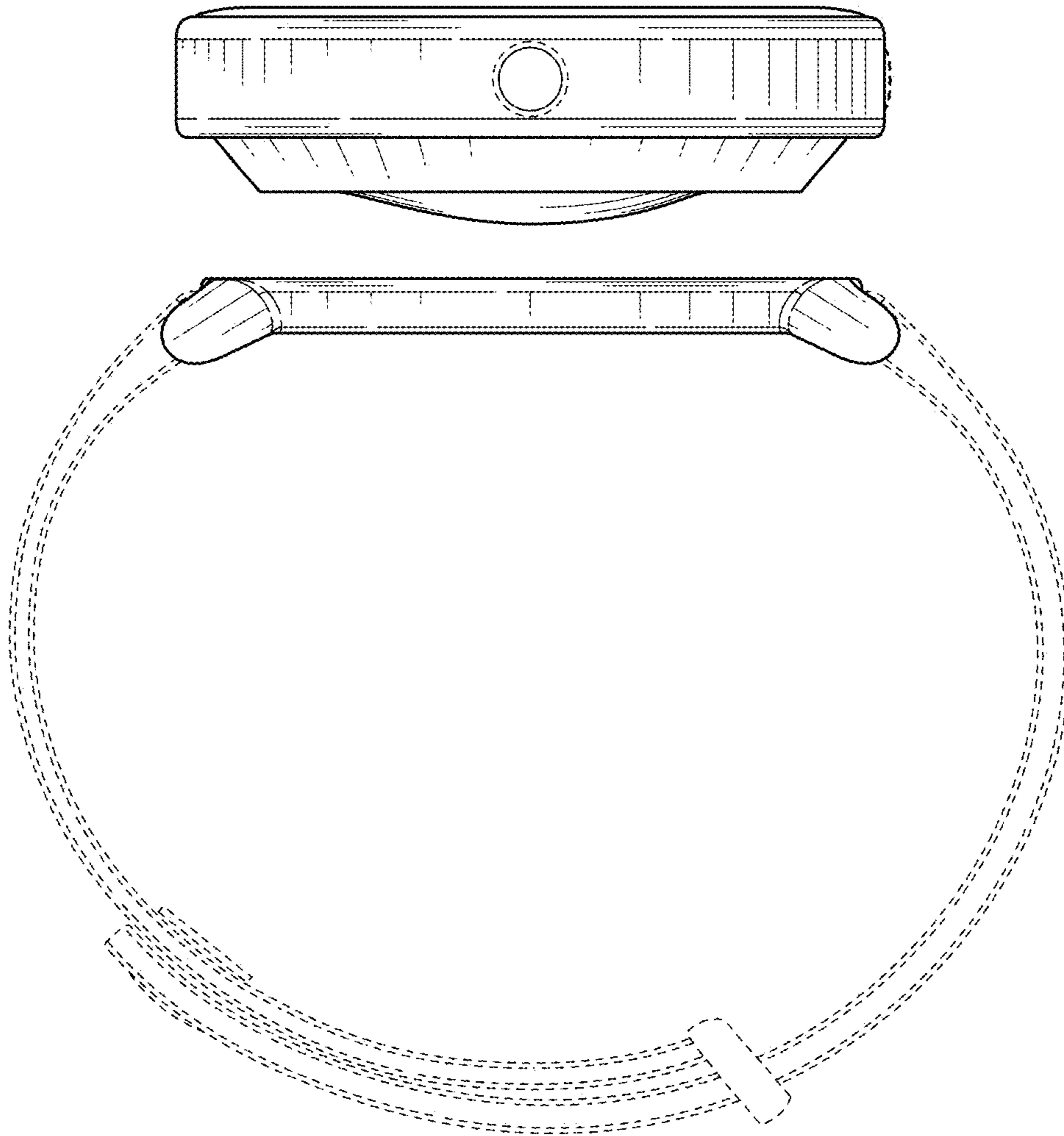




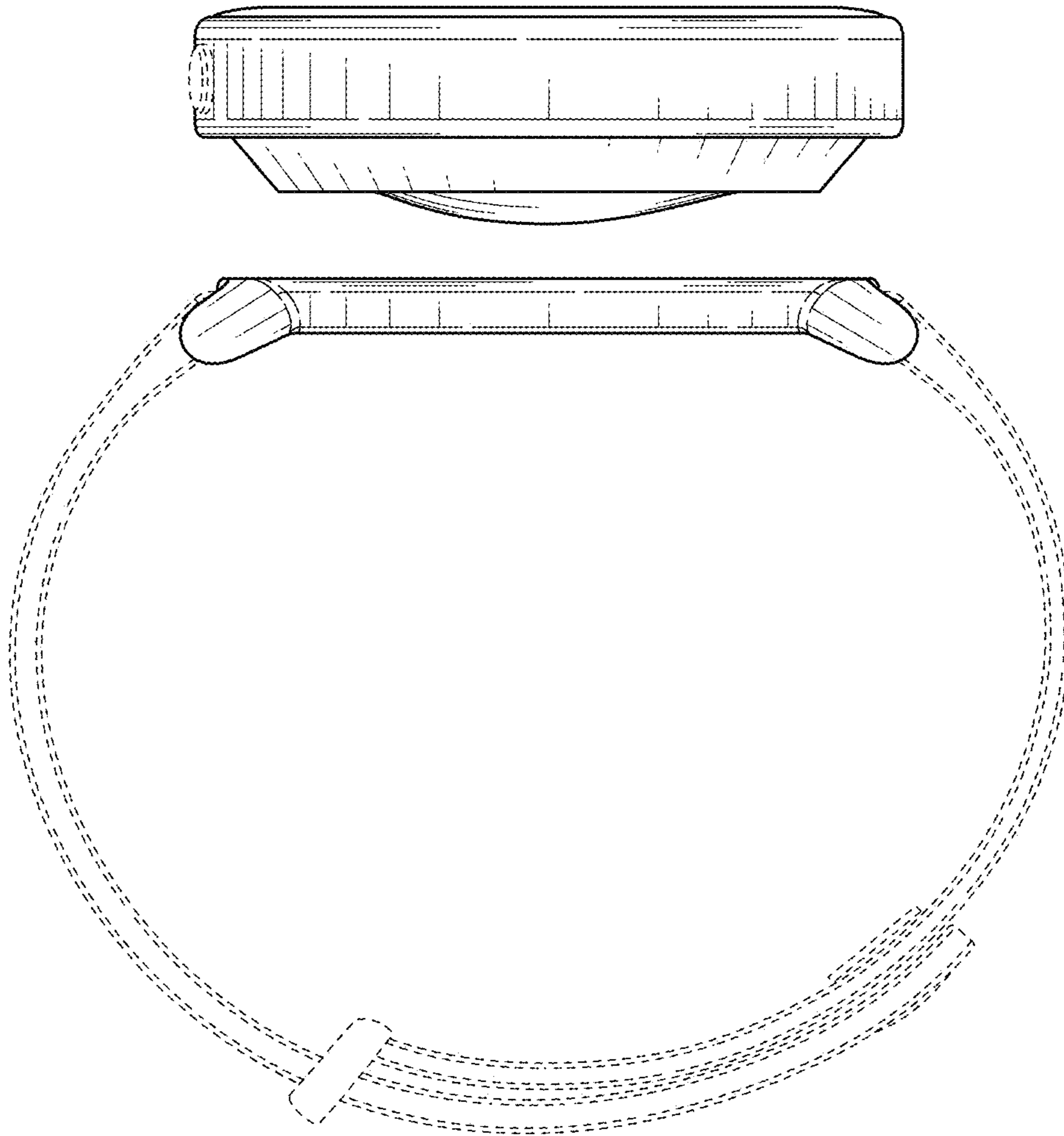
**FIG. 7**



**FIG. 8**



**FIG. 9**



**FIG. 10**